



US00D662006S

(12) **United States Design Patent**
Lilak et al.

(10) **Patent No.:** **US D662,006 S**
(45) **Date of Patent:** **** Jun. 19, 2012**

(54) **TOGGLE AND CHAMBERED BAR CLASP**

DESCRIPTION

(75) Inventors: **Monica M. Lilak**, Glenview, IL (US);
Lester M. Lampert, Northbrook, IL
(US); **Joseph G. Weigel**, North Aurora,
IL (US)

(73) Assignee: **Wilbert Funeral Services, Inc.**,
Broadview, IL (US)

(**) Term: **14 Years**

(21) Appl. No.: **29/344,004**

(22) Filed: **Sep. 22, 2009**

(51) **LOC (9) Cl.** **11-01**

(52) **U.S. Cl.** **D11/87**

(58) **Field of Classification Search** D11/1-14,
D11/40-47, 75, 79, 85-89; 63/1.11, 3, 3.1,
63/3.2, 5.1, 5.2, 7-11; 59/80-90, 93, 78,
59/79.2, 95; 24/647, 116 R, 684, 43

See application file for complete search history.

(56) **References Cited**

U.S. PATENT DOCUMENTS

268,102 A * 11/1882 Horton 63/21

(Continued)

Primary Examiner — Robert M Spear

Assistant Examiner — Rashida C McCoy

(74) *Attorney, Agent, or Firm* — Brinks Hofer Gilson &
Lione

(57) **CLAIM**

We claim the ornamental design for a toggle and chambered
bar clasp, as shown and described.

FIG. 1 is a front view of my new design of a toggle and
chambered bar clasp in a closed position;

FIG. 2 is a back view of my design shown in FIG. 1,

FIG. 3 is a bottom view of my design shown in FIG. 1, where
the top side view is a mirror image to the bottom view shown
in FIG. 3;

FIG. 4 is a front view of my new design of a toggle and
chambered bar clasp in an open position;

FIG. 5 is a back view of my design shown in FIG. 4;

FIG. 6 is a bottom view of my design shown in FIG. 4, where
the top side view is a mirror image to the bottom view shown
in FIG. 6;

FIG. 7 is a perspective view of my new design of a toggle and
chambered bar clasp in a closed position, where one end
attachment is in a detached position from the chambered bar;

FIG. 8 is a front view of my design shown in FIG. 7; showing
the end attachment removed from the chambered bar for
clarity of disclosure;

FIG. 9 is a back view of my design shown in FIG. 7;

FIG. 10 is a bottom view of my design shown in FIG. 7;

FIG. 11 is a top view of my design shown in FIG. 7;

FIG. 12 is a perspective view of my new design of a toggle and
chambered bar clasp in an open position, where one end
attachment is in a detached position from the chambered bar;

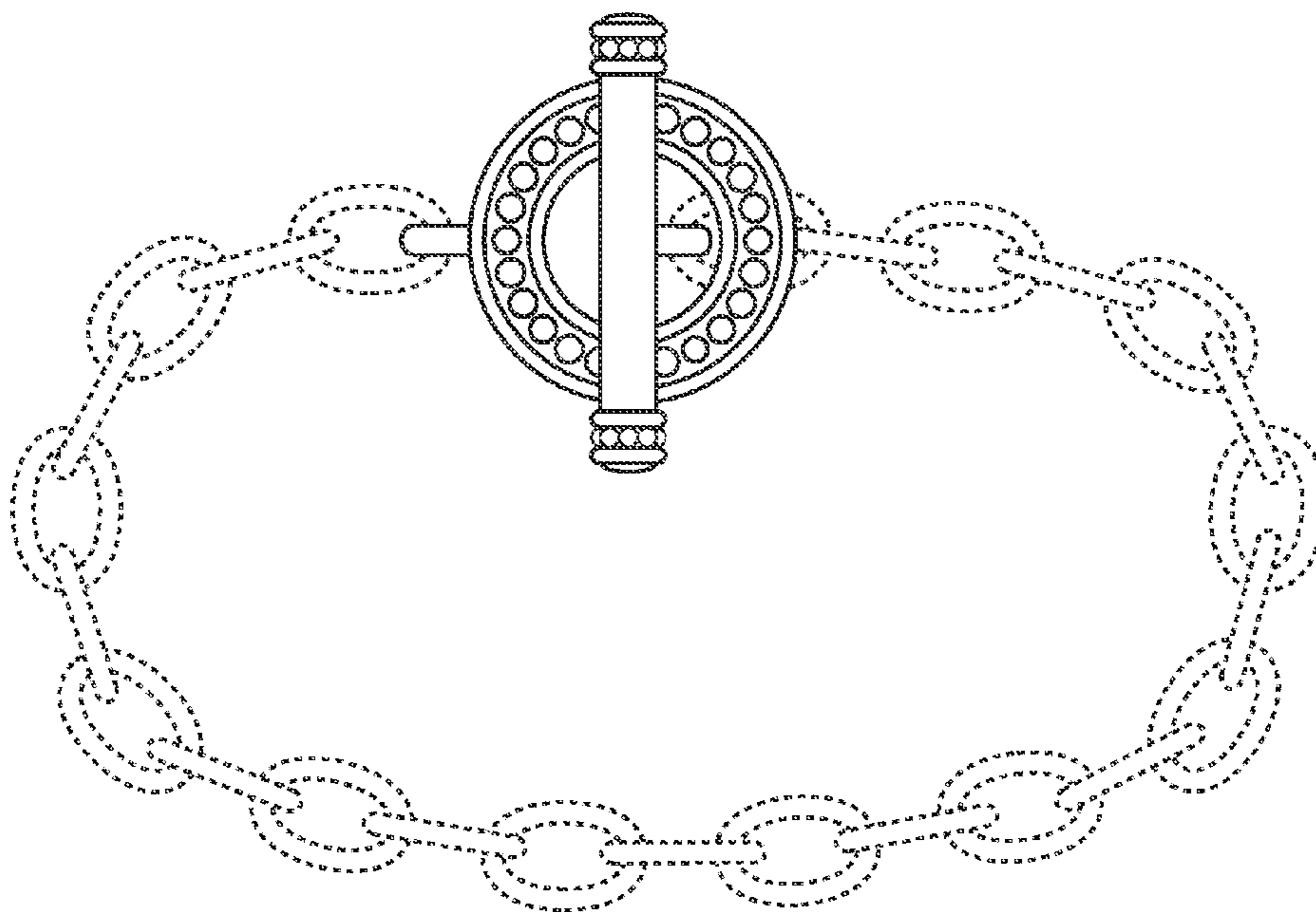
FIG. 13 is a front view of my design shown in FIG. 12;
showing the end attachment removed from the chambered bar
for clarity of disclosure;

FIG. 14 is a back view of my design shown in FIG. 12;

FIG. 15 is a bottom view of my design shown in FIG. 12; and,
FIG. 16 is a top view of my design shown in FIG. 12.

The broken lines in the drawings are included for the purpose
of illustrating environment and form no part of the claimed
design.

1 Claim, 5 Drawing Sheets



US D662,006 S

Page 2

U.S. PATENT DOCUMENTS

906,616 A *	12/1908	Cox	24/684	D521,895 S *	5/2006	Scharr	D11/87
1,794,384 A *	3/1931	Madsen	24/647	7,093,332 B1 *	8/2006	Kay	24/647
D105,901 S *	8/1937	Schwartz	D3/211	7,257,967 B2 *	8/2007	Rheinstein	63/40
D149,472 S *	5/1948	Chernow	D11/87	D551,585 S *	9/2007	Wooley et al.	D11/11
D282,311 S *	1/1986	Parks et al.	D11/226	D567,697 S *	4/2008	Kitamura	D11/3
6,256,793 B1 *	7/2001	Arias et al.	2/207	D621,606 S *	8/2010	Marquardt	D3/215
D497,565 S	10/2004	Pink		7,886,701 B1 *	2/2011	Gordon	119/863
D499,351 S *	12/2004	Hardy	D11/13	2004/0007017 A1 *	1/2004	Flaherty	63/3.1

* cited by examiner

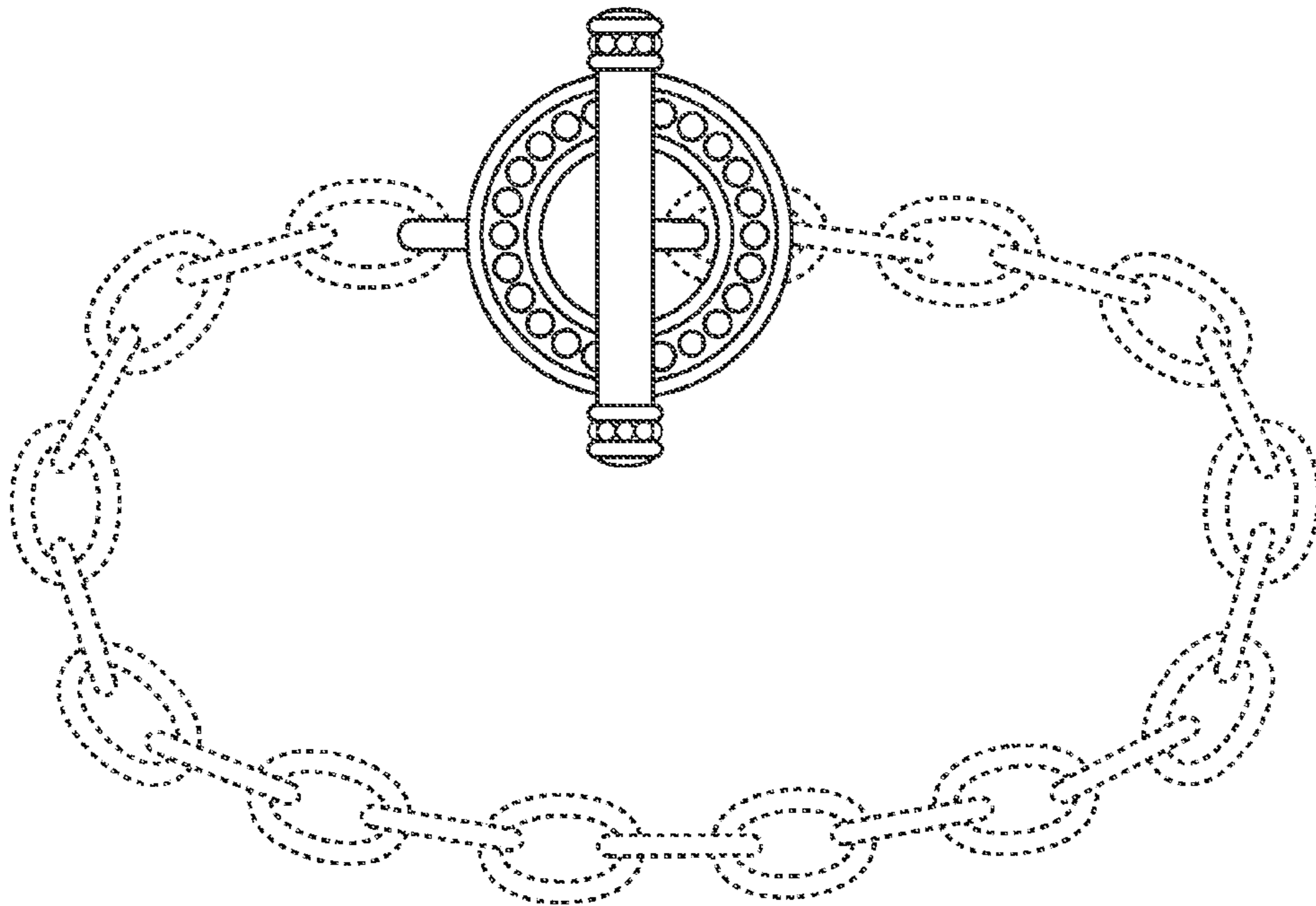


Fig. 1

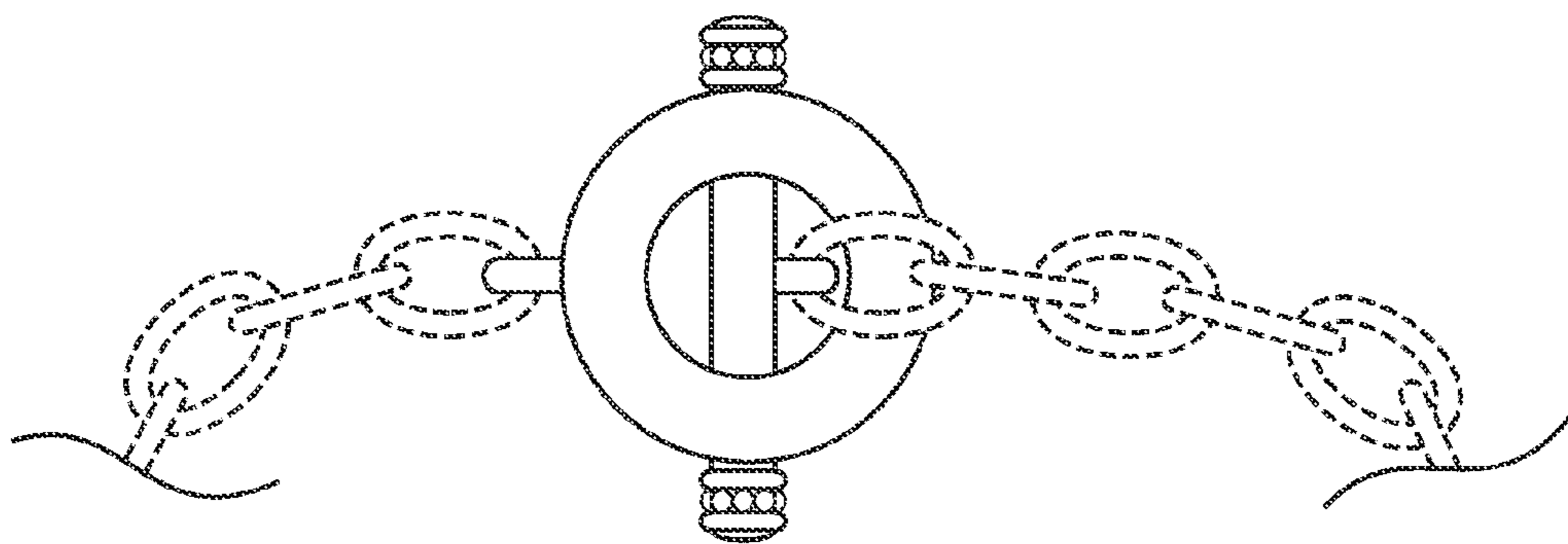


Fig. 2

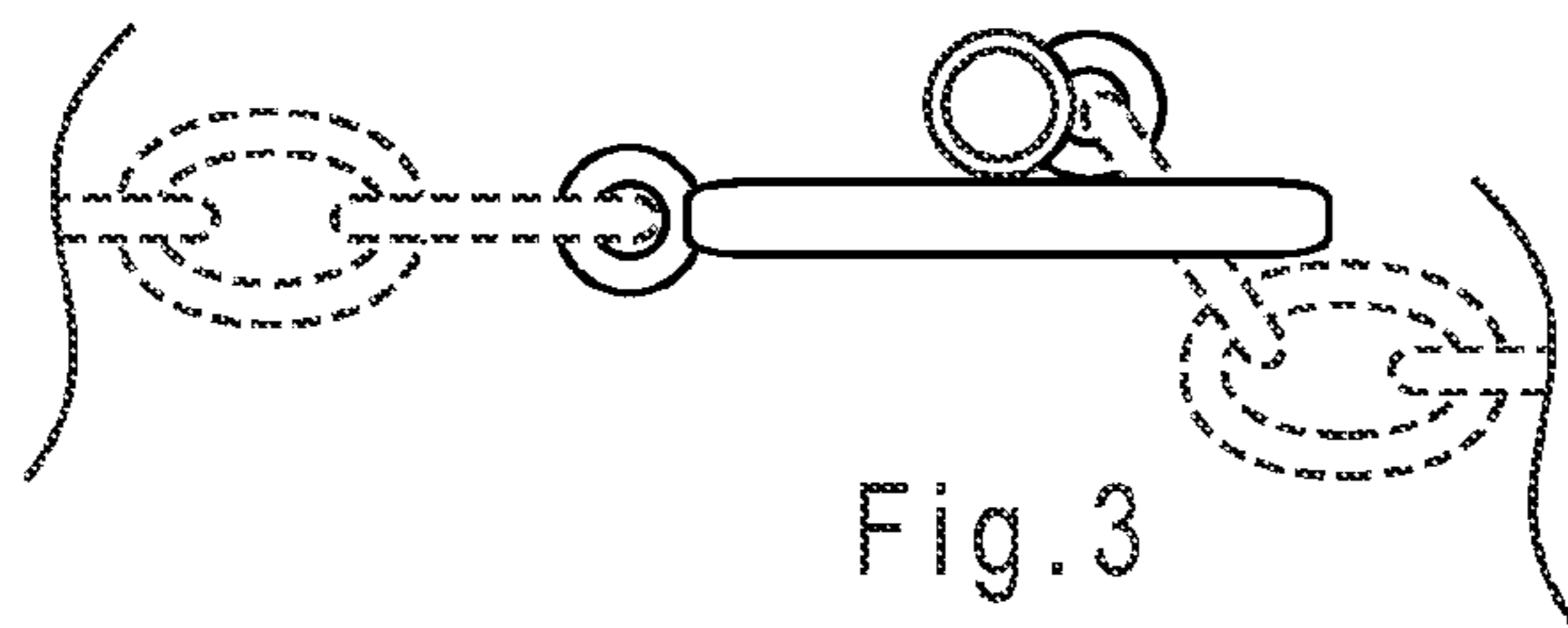


Fig. 3

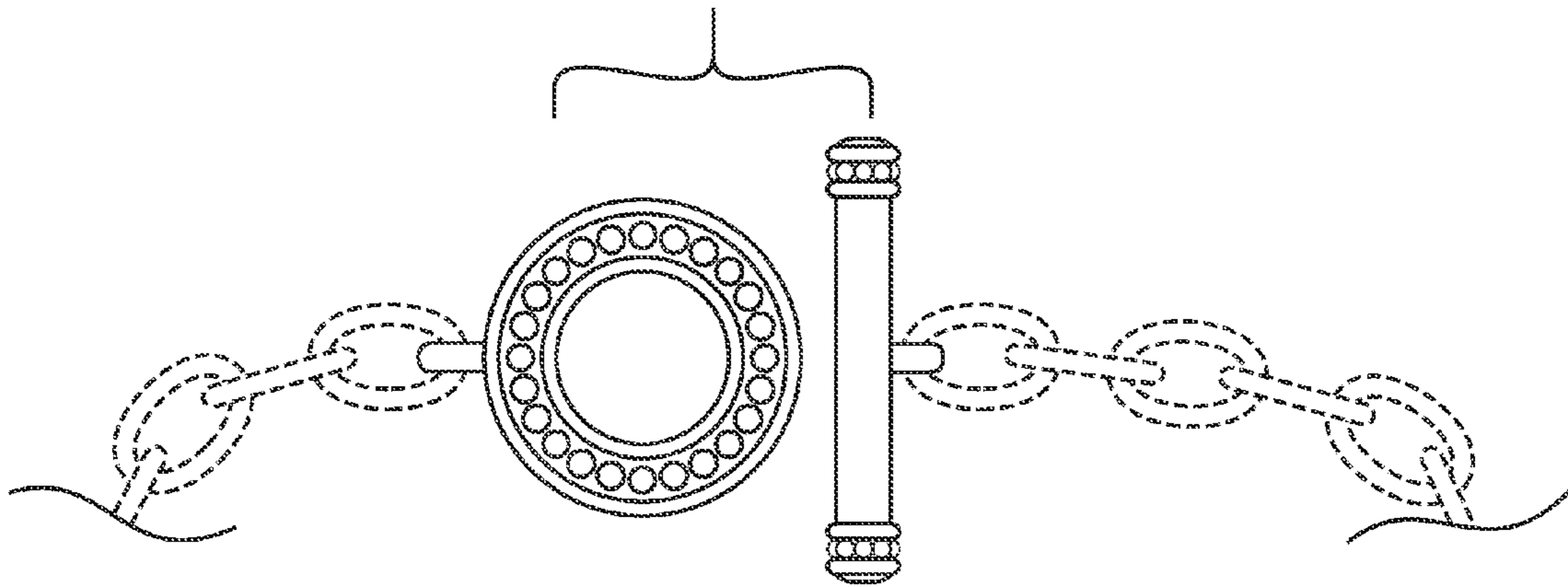


Fig. 4

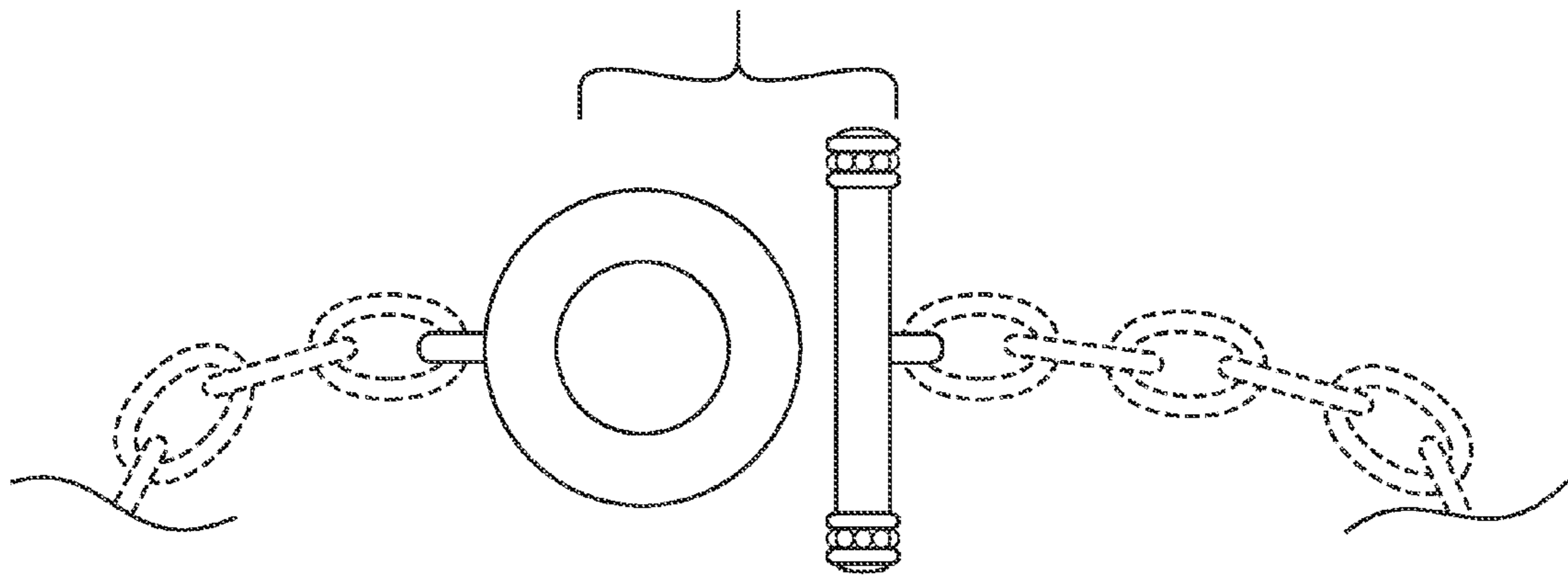


Fig. 5

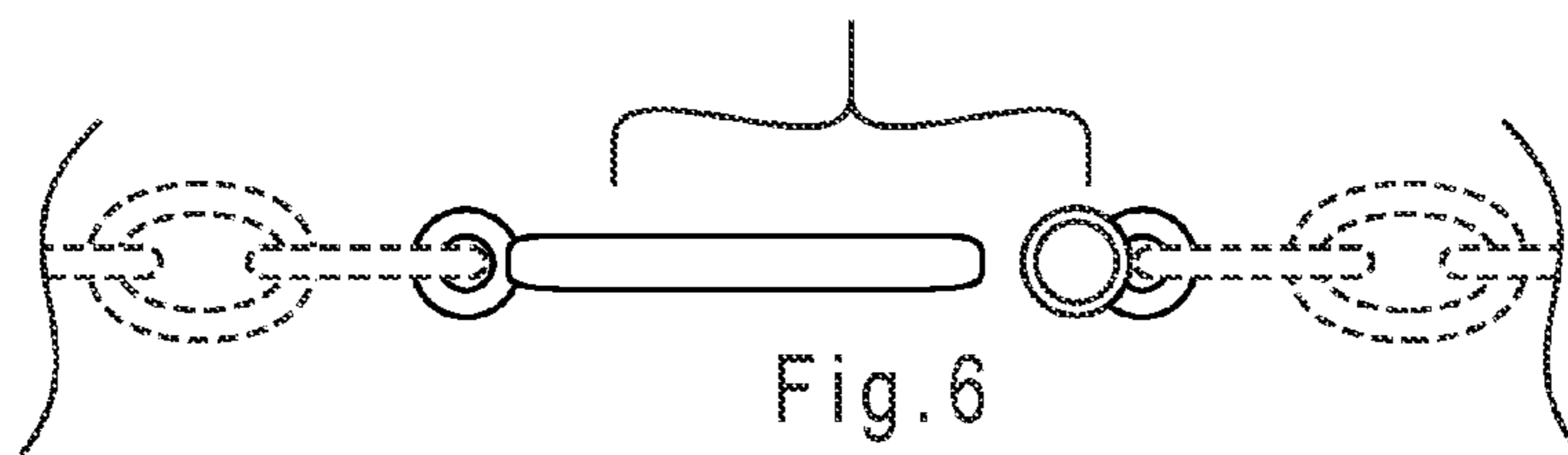


Fig. 6

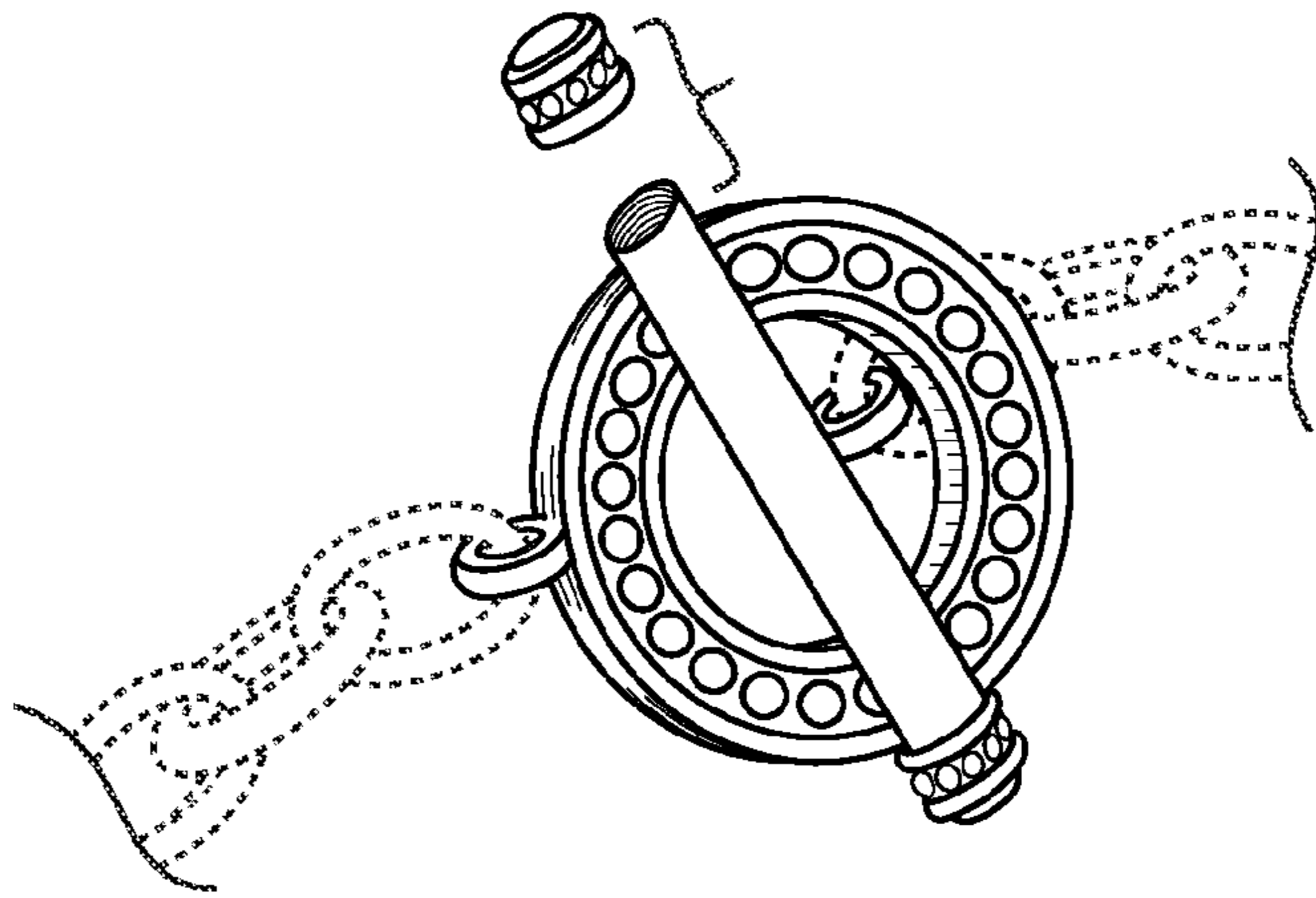


Fig. 7

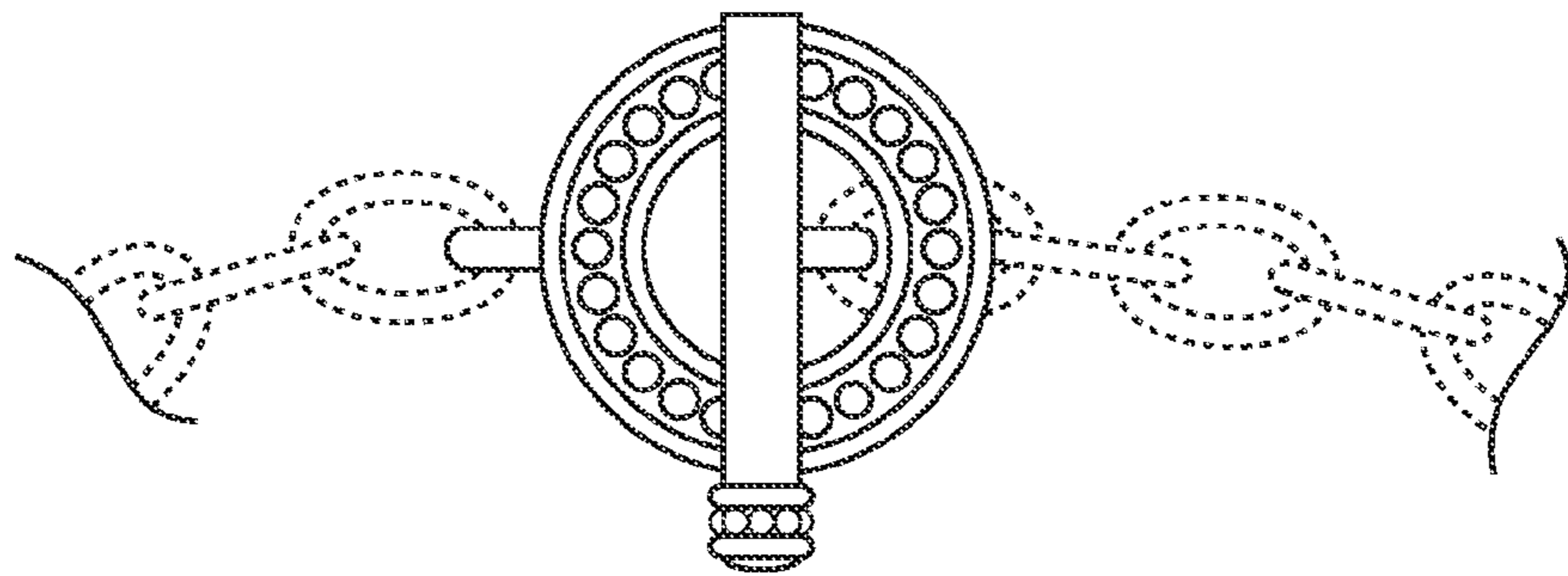


Fig. 8

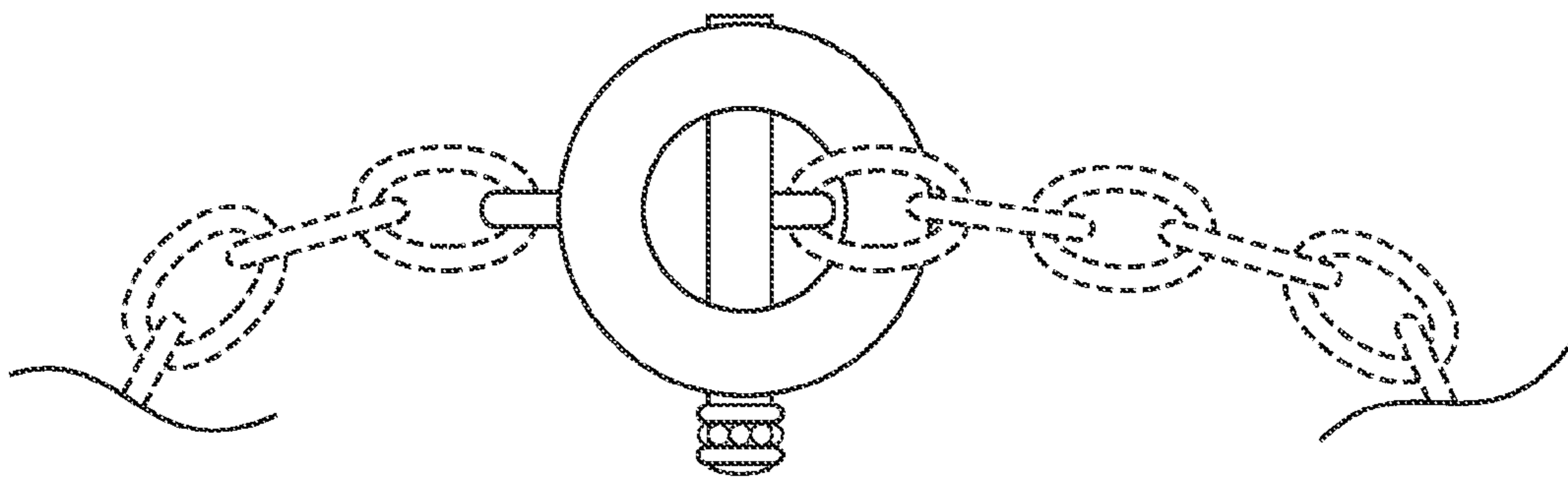
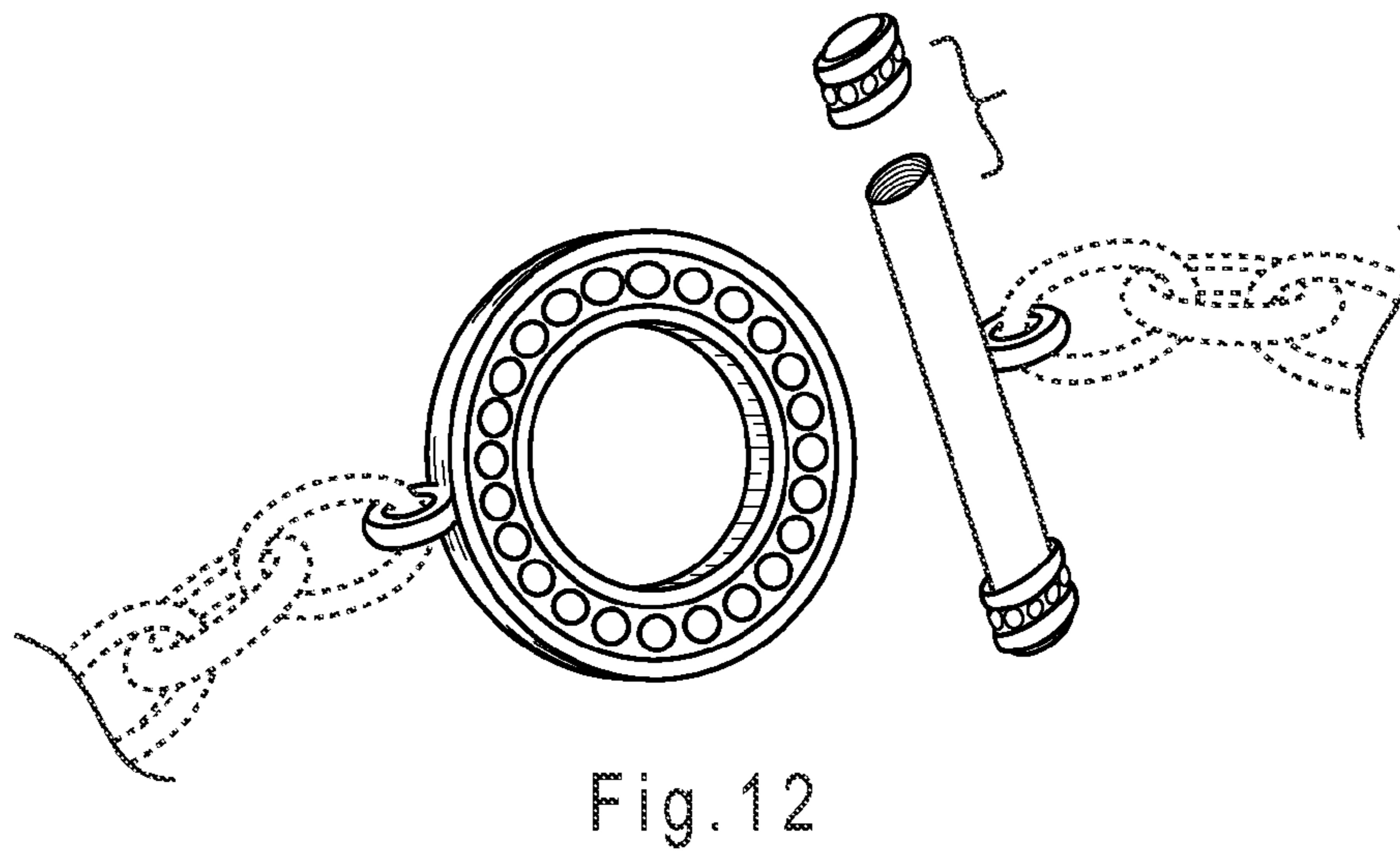
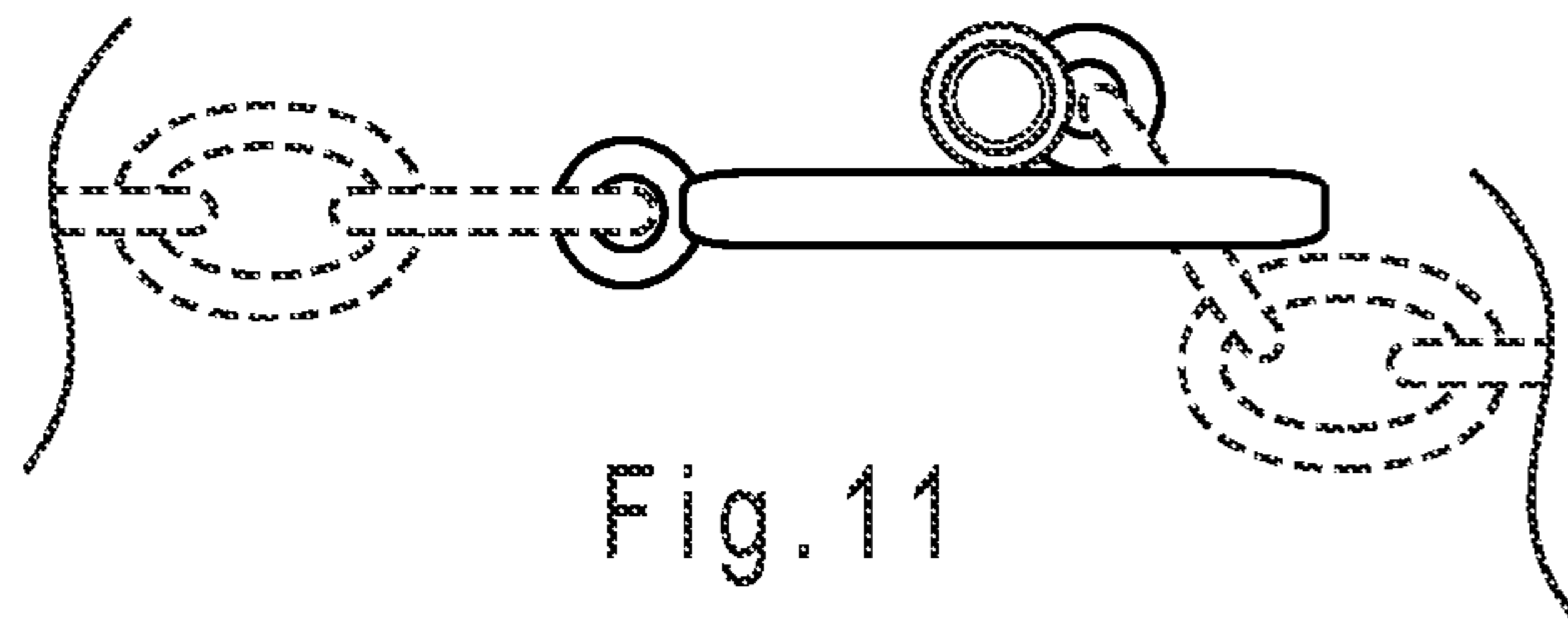
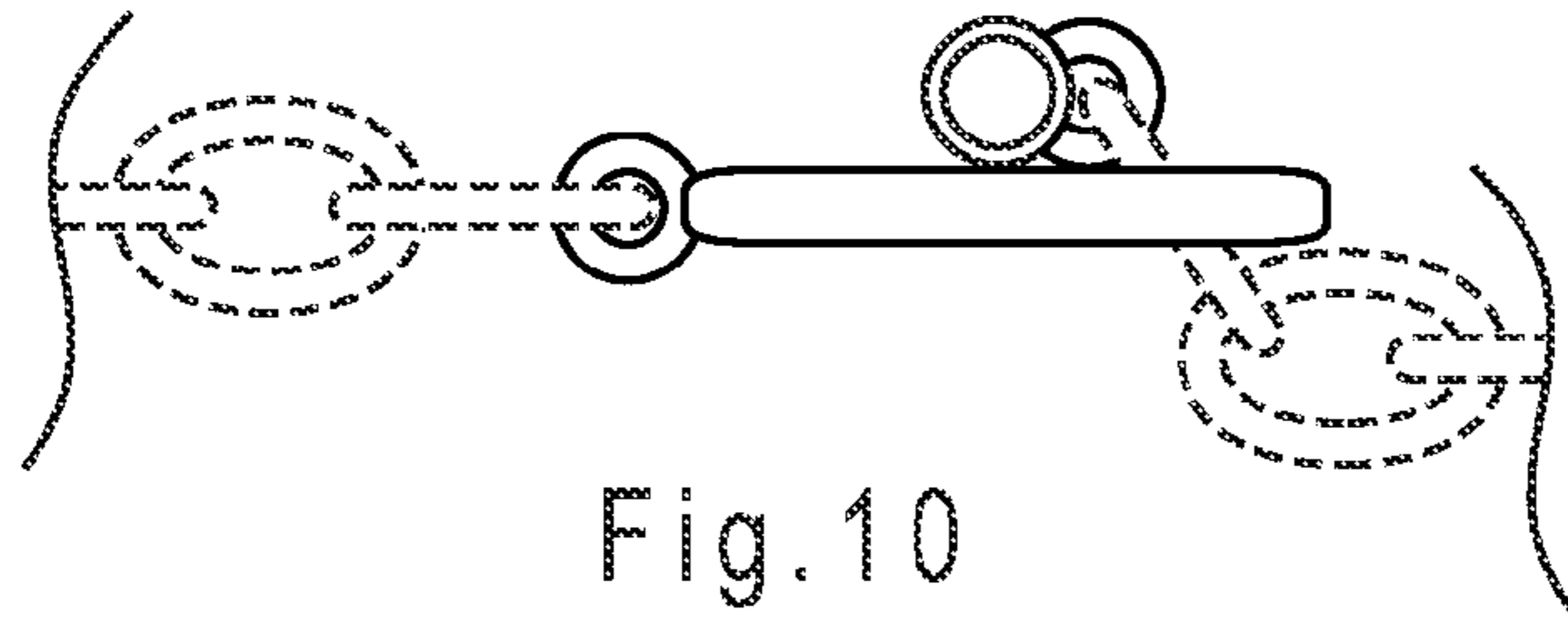


Fig. 9



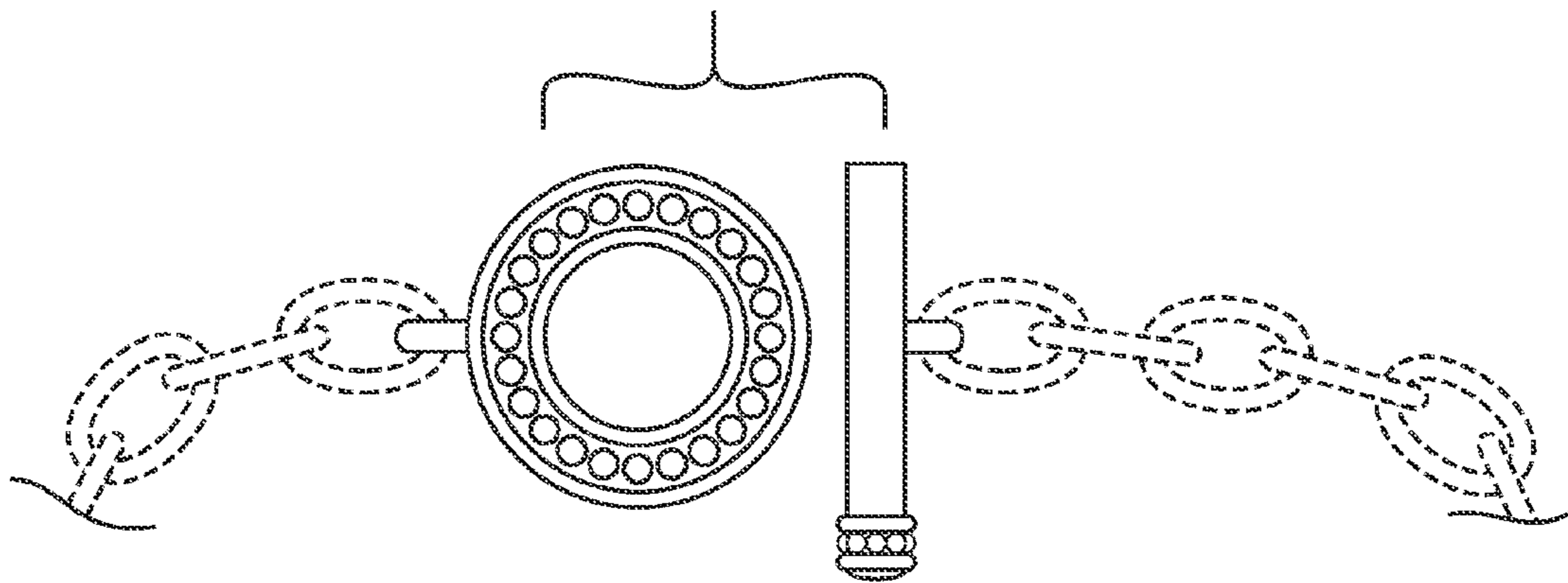


Fig. 13

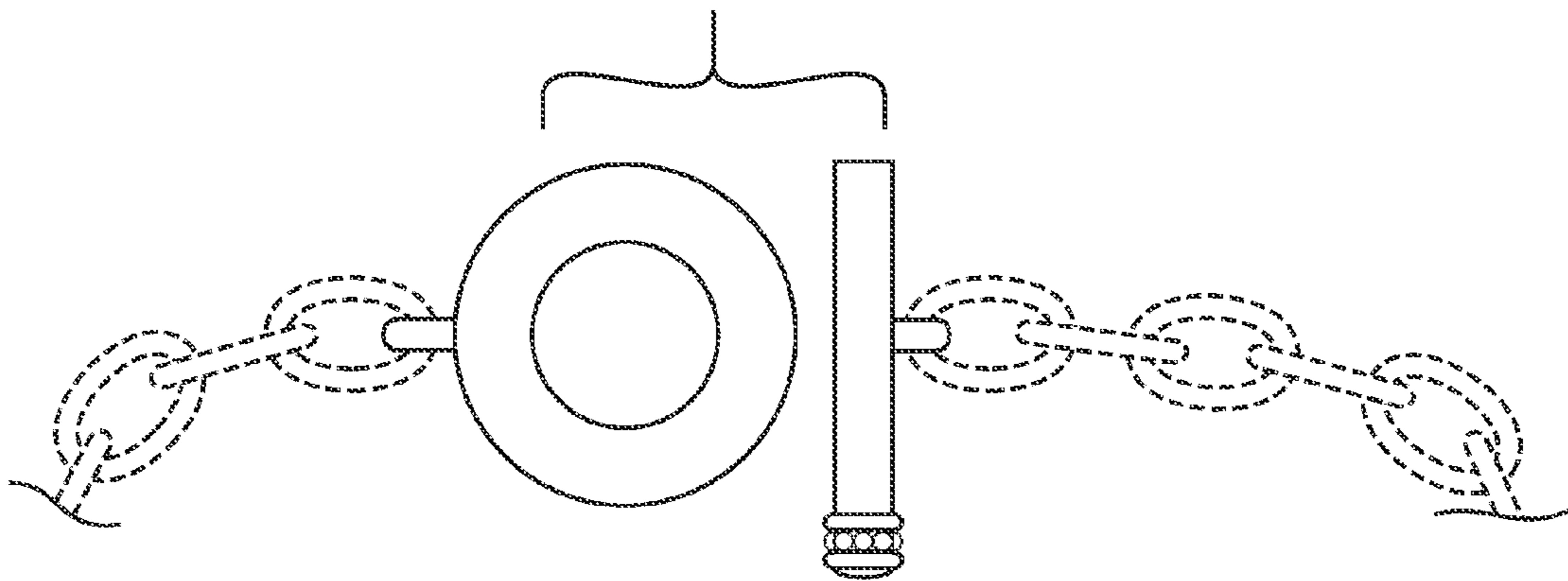


Fig. 14

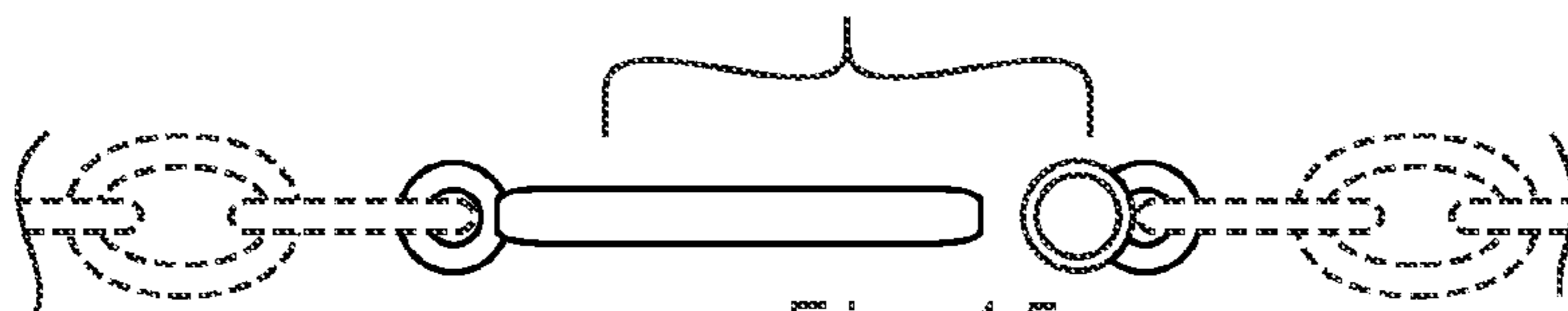


Fig. 15

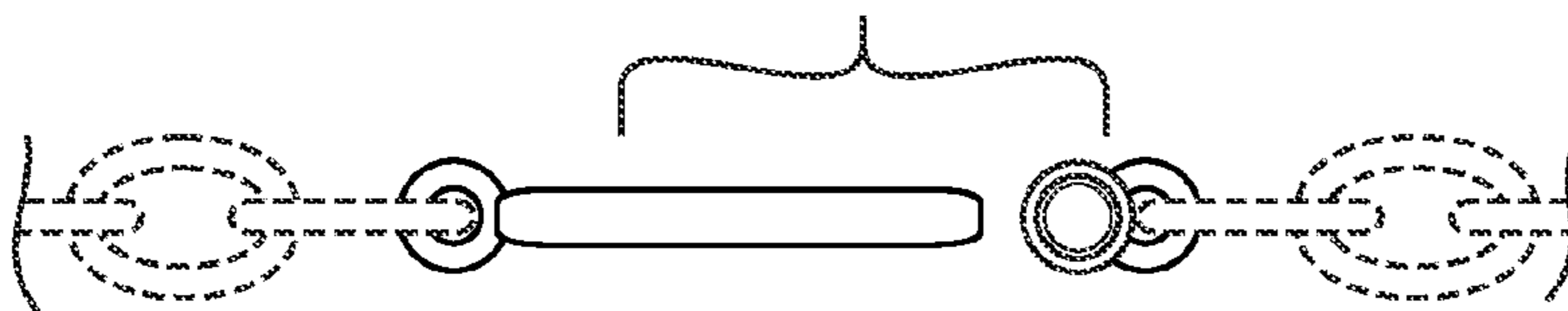


Fig. 16