



US00D662004S

(12) **United States Design Patent**  
**Hardy**

(10) **Patent No.:** **US D662,004 S**  
(45) **Date of Patent:** **\*\* Jun. 19, 2012**

(54) **BRACELET**

(75) Inventor: **Pierre Hardy**, Paris (FR)

(73) Assignee: **Hermes Sellier (Societe par Actions Simplifies)**, Paris (FR)

(\*\*) Term: **14 Years**

(21) Appl. No.: **29/403,247**

(22) Filed: **Oct. 3, 2011**

(30) **Foreign Application Priority Data**

Apr. 5, 2011 (WO) ..... DM/075783

(51) **LOC (9) Cl.** ..... **11-01**

(52) **U.S. Cl.** ..... **D11/3**

(58) **Field of Classification Search** ..... D11/1-25,  
D11/79, 26; 63/15, 15.1-15.4, 15.45, 15.5-15.7,  
63/3, 3.1, 3.2, 4, 5.1

See application file for complete search history.

(56) **References Cited**

**U.S. PATENT DOCUMENTS**

D342,916 S *	1/1994	Giralt	.....	D11/30
D552,003 S *	10/2007	Lecut	.....	D11/3
D596,066 S *	7/2009	Hardy	.....	D11/7
D597,882 S *	8/2009	Hardy	.....	D11/7
D615,445 S *	5/2010	Hardy	.....	D11/26
D628,112 S *	11/2010	Papadimitriou	.....	D11/26
D628,510 S *	12/2010	Maier	.....	D11/3

**OTHER PUBLICATIONS**

<http://afasione.com/wp-content/uploads/2011/06/Orange-with-Gold.jpg>.\*

[http://www.iofferreplica.com/images/201108/goods\\_img/7525\\_P\\_1314579307192.jpg](http://www.iofferreplica.com/images/201108/goods_img/7525_P_1314579307192.jpg).\*  
[http://static4.avelleassets.com/productimages/Jewelry/Hermes/Hermes-Kelly-Cuff-Bracelet\\_35314\\_front\\_large\\_0.jpg](http://static4.avelleassets.com/productimages/Jewelry/Hermes/Hermes-Kelly-Cuff-Bracelet_35314_front_large_0.jpg).\*  
<http://cdn101.iofferphoto.com/img/item/191/467/462/hermes-kelly-bracelet-8230c.jpg>.\*  
<http://www.ioffer.com/img/item/171/570/183/45f9gU2ggOmJ7t.jpg>.\*  
<http://cdn100.iofferphoto.com/img/item/201/653/926/new-hermes-kelly-double-tour-bracelet-many-color-45681.jpg>.\*

\* cited by examiner

*Primary Examiner* — Cathron Brooks

*Assistant Examiner* — Melanie Pellegrini

(74) *Attorney, Agent, or Firm* — Foley & Lardner LLP

(57) **CLAIM**

I claim the ornamental design for a bracelet, as shown and described.

**DESCRIPTION**

FIG. 1 is a front side view of a bracelet of the claimed design; FIG. 2 is a rear side view of the bracelet shown in FIG. 1; FIG. 3 is a left side view of the bracelet shown in FIG. 1; FIG. 4 is a right side view of the bracelet shown in FIG. 1; FIG. 5 is a top side view of the bracelet shown in FIG. 1; FIG. 6 is a bottom side view of the bracelet shown in FIG. 1; and, FIG. 7 is a front perspective view of the bracelet shown in FIG. 1.

**1 Claim, 5 Drawing Sheets**

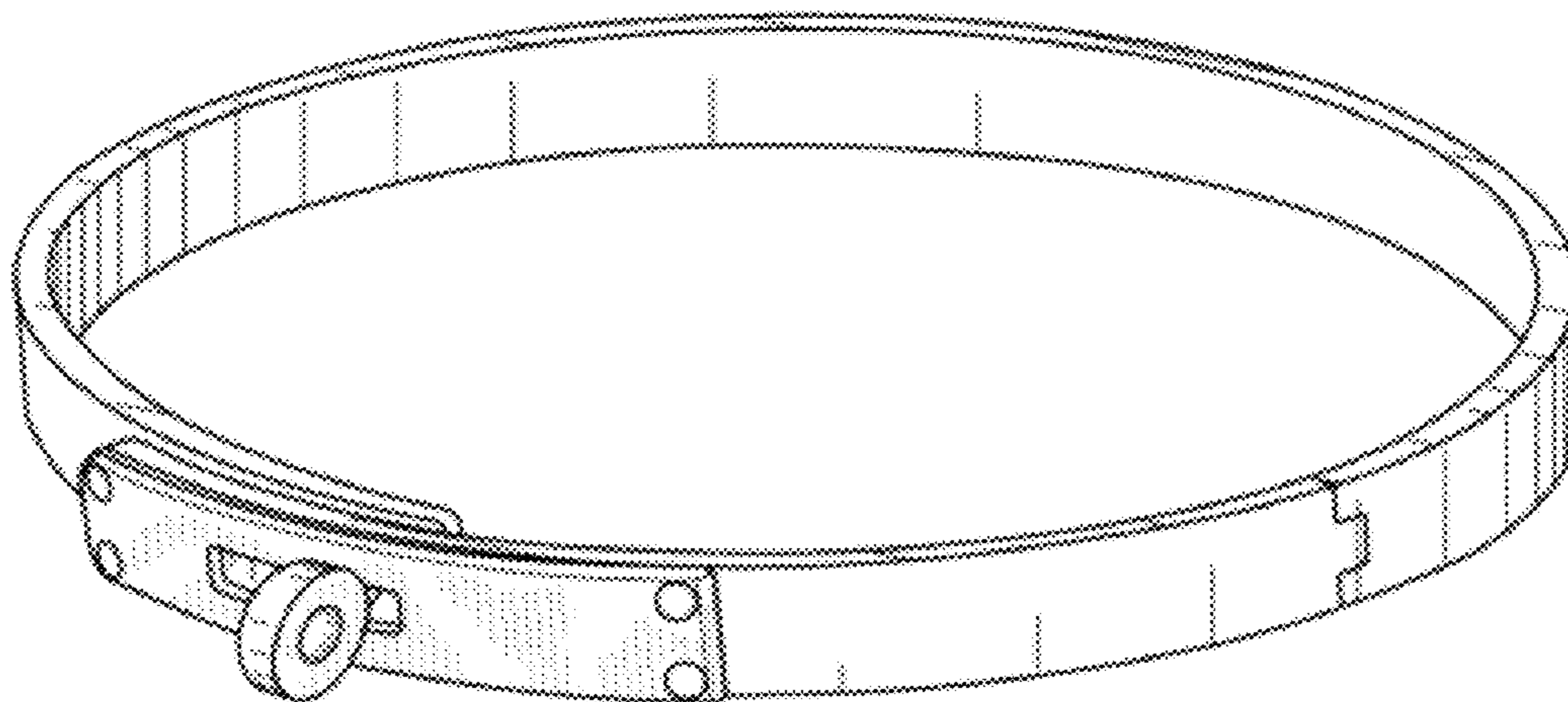




Fig. 1



Fig. 2



Fig.3



Fig.4

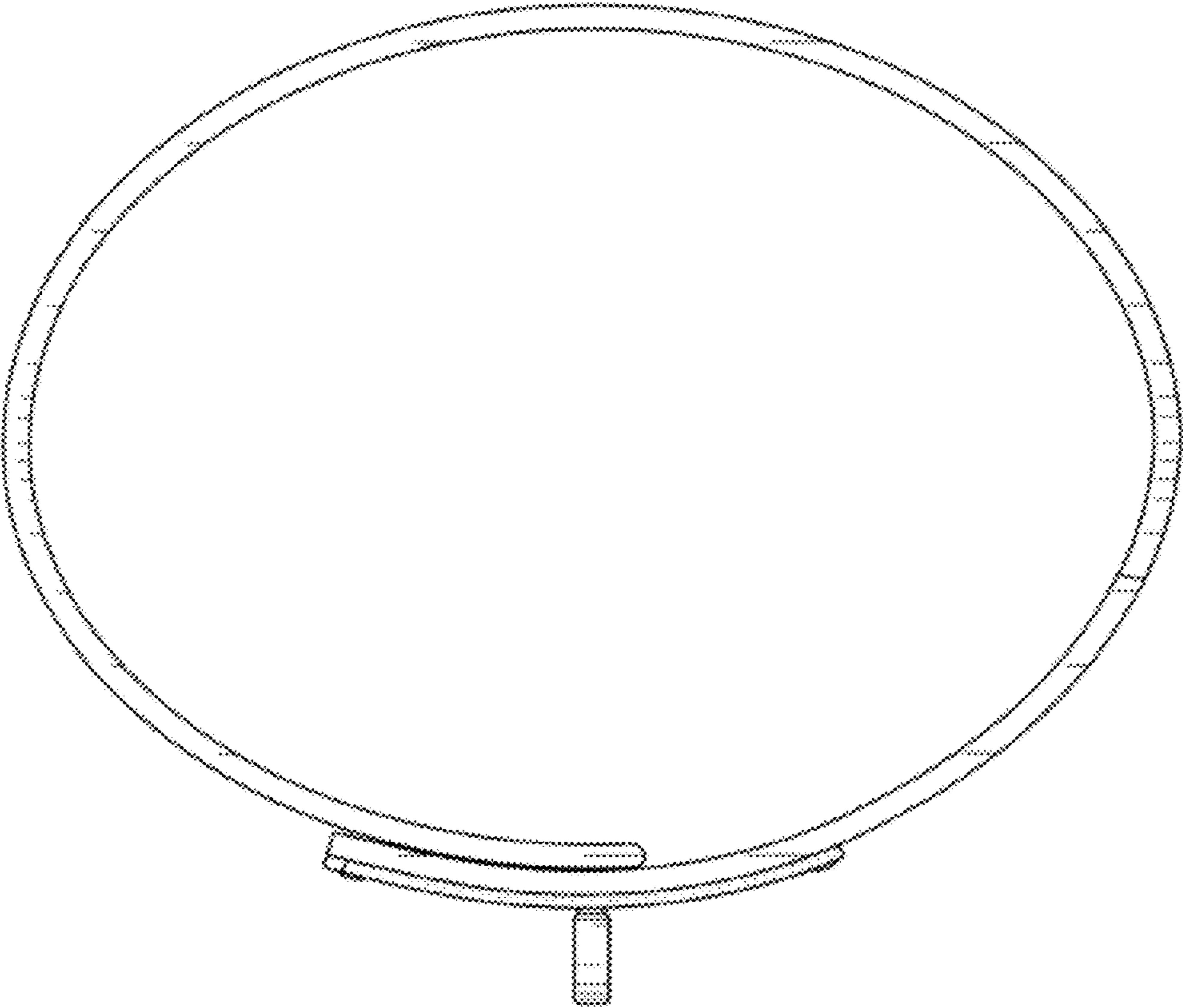


Fig.5

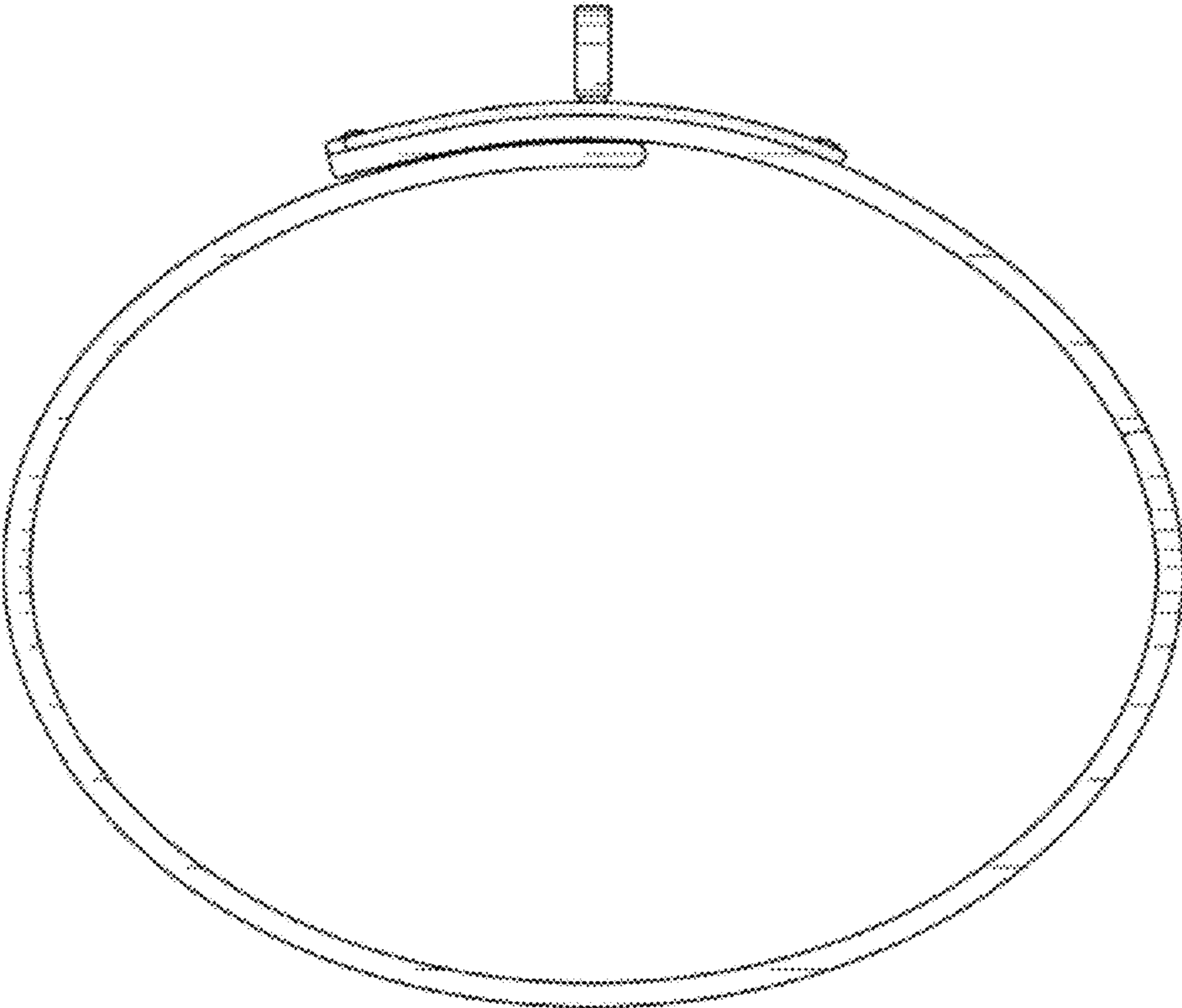


Fig.6

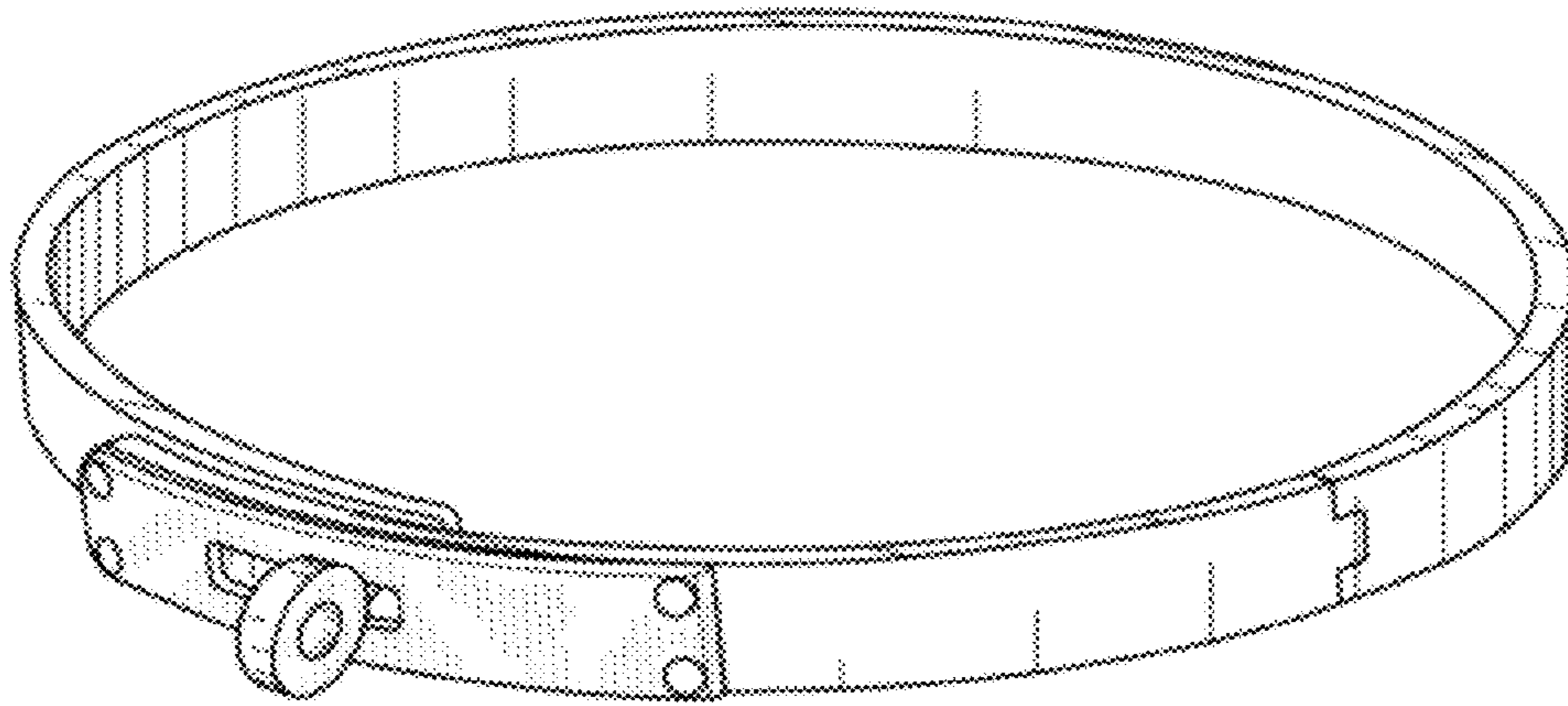


Fig.7