

US00D662000S

(12) **United States Design Patent**
Ross, Jr. et al.

(10) **Patent No.:** **US D662,000 S**
(45) **Date of Patent:** **** Jun. 19, 2012**

(54) **LIQUID LEVEL GAUGE**

(75) Inventors: **Herbert G. Ross, Jr.**, Argyle, TX (US);
Gagik Farmanyany, Plano, TX (US)

(73) Assignee: **Rochester Gauges, Inc.**, Dallas, TX
(US)

(**) Term: **14 Years**

(21) Appl. No.: **29/380,010**

(22) Filed: **Nov. 29, 2010**

(51) **LOC (9) Cl.** **10-04**

(52) **U.S. Cl.** **D10/101**

(58) **Field of Classification Search** D10/101;
73/1.73, 149, 290 V, 290 R, 293, 304 R, 304 C,
73/305, 313, 314, 317, 865.9

See application file for complete search history.

(56) **References Cited**

U.S. PATENT DOCUMENTS

3,470,907	A	10/1969	Shockey	
4,641,122	A	2/1987	Hennequin	
4,972,875	A	11/1990	Beer et al.	
RE34,679	E	8/1994	Ritzenthaler et al.	
5,762,049	A	6/1998	Jones et al.	
D611,859	S	3/2010	Gismervik	
D611,860	S	* 3/2010	Gismervik D10/101

* cited by examiner

Primary Examiner — Antoine D Davis

(74) *Attorney, Agent, or Firm* — Alvin R. Wirthlin

(57) **CLAIM**

The ornamental design for a liquid level gauge, as shown and described.

DESCRIPTION

FIG. 1 is an isometric view of a liquid level gauge showing my new design;

FIG. 2 is a rear elevational view thereof;

FIG. 3 is a front elevational view thereof;

FIG. 4 is a right side elevational view thereof;

FIG. 5 is a left side elevational view thereof;

FIG. 6 is a top plan view thereof;

FIG. 7 is a bottom plan view thereof.

FIG. 8 is an isometric view of a liquid level gauge showing another embodiment of my new design;

FIG. 9 is a rear elevational view thereof;

FIG. 10 is a front elevational view thereof;

FIG. 11 is a right side elevational view thereof;

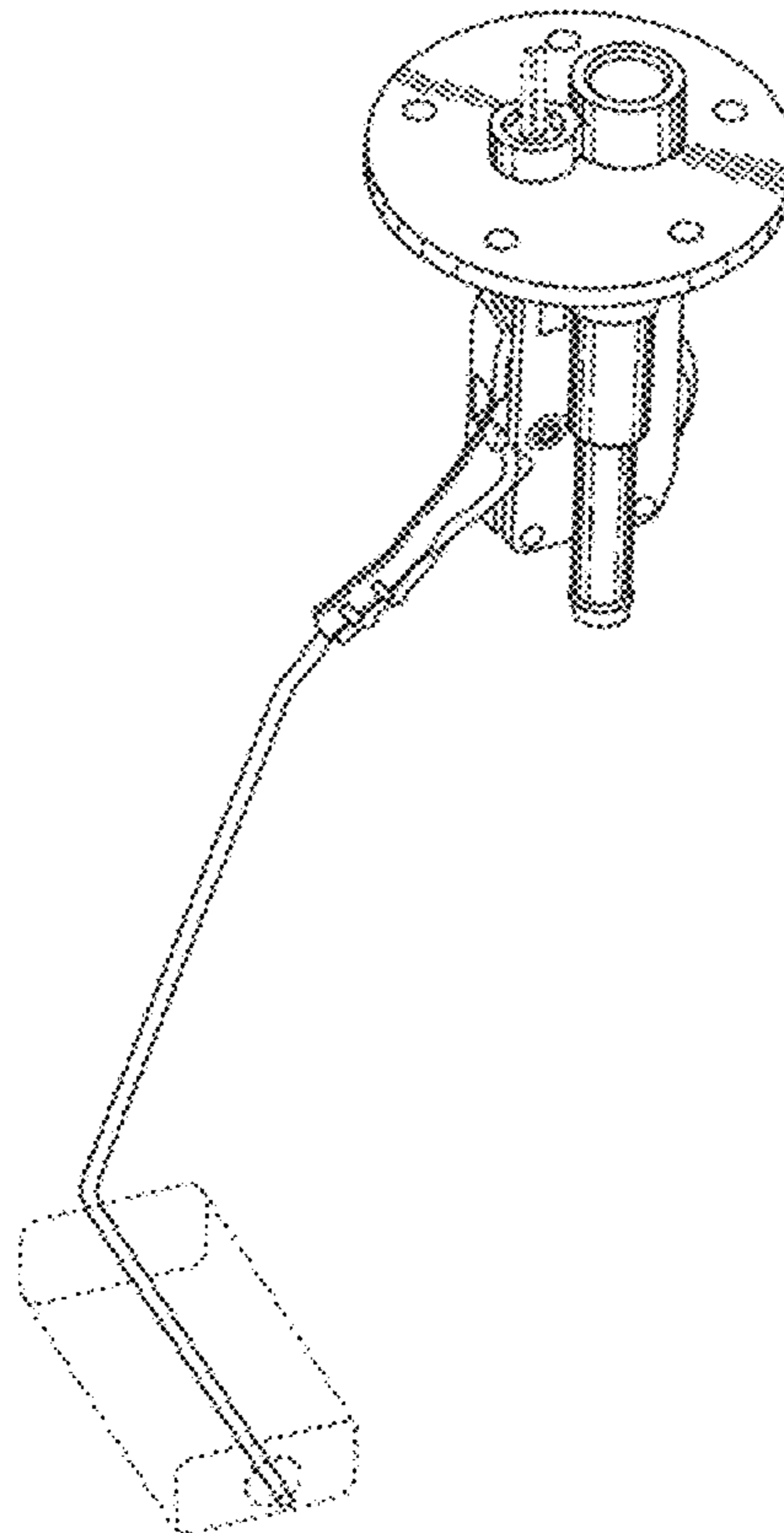
FIG. 12 is a left side elevational view thereof;

FIG. 13 is a top plan view thereof; and,

FIG. 14 is a bottom plan view thereof.

The broken lines shown on the drawings represent unclaimed portions of the design and form no part thereof.

1 Claim, 10 Drawing Sheets



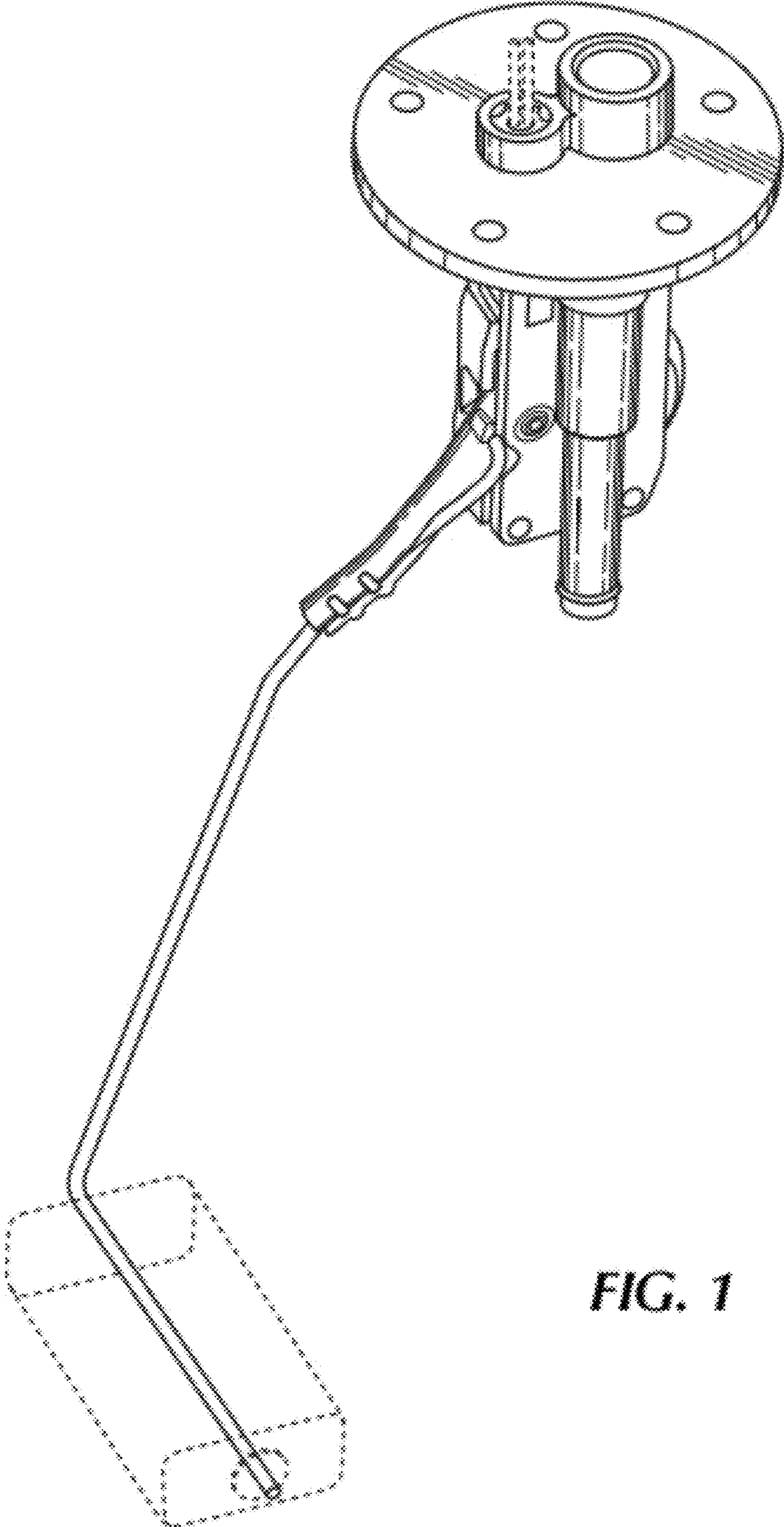


FIG. 1

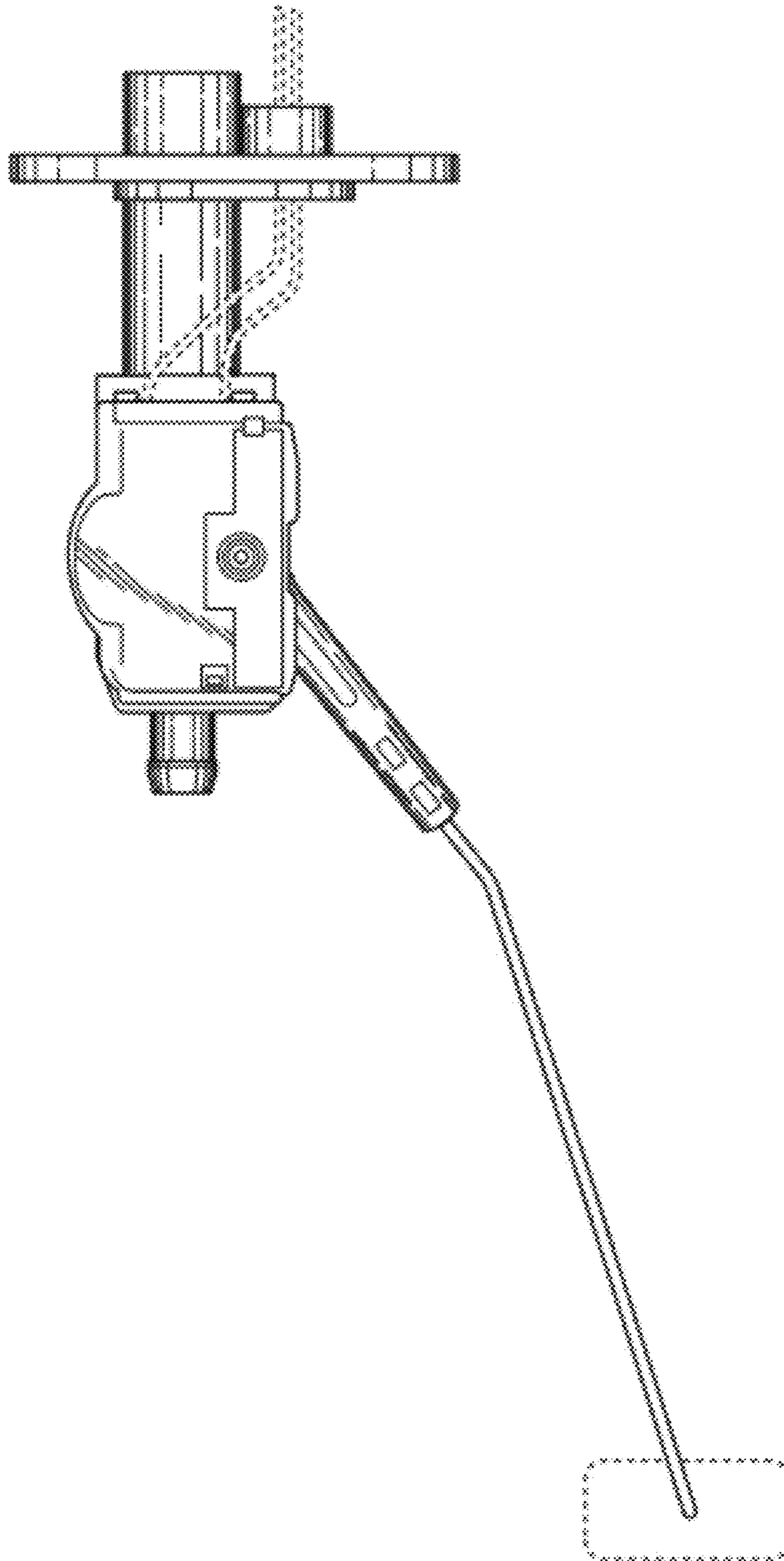


FIG. 2

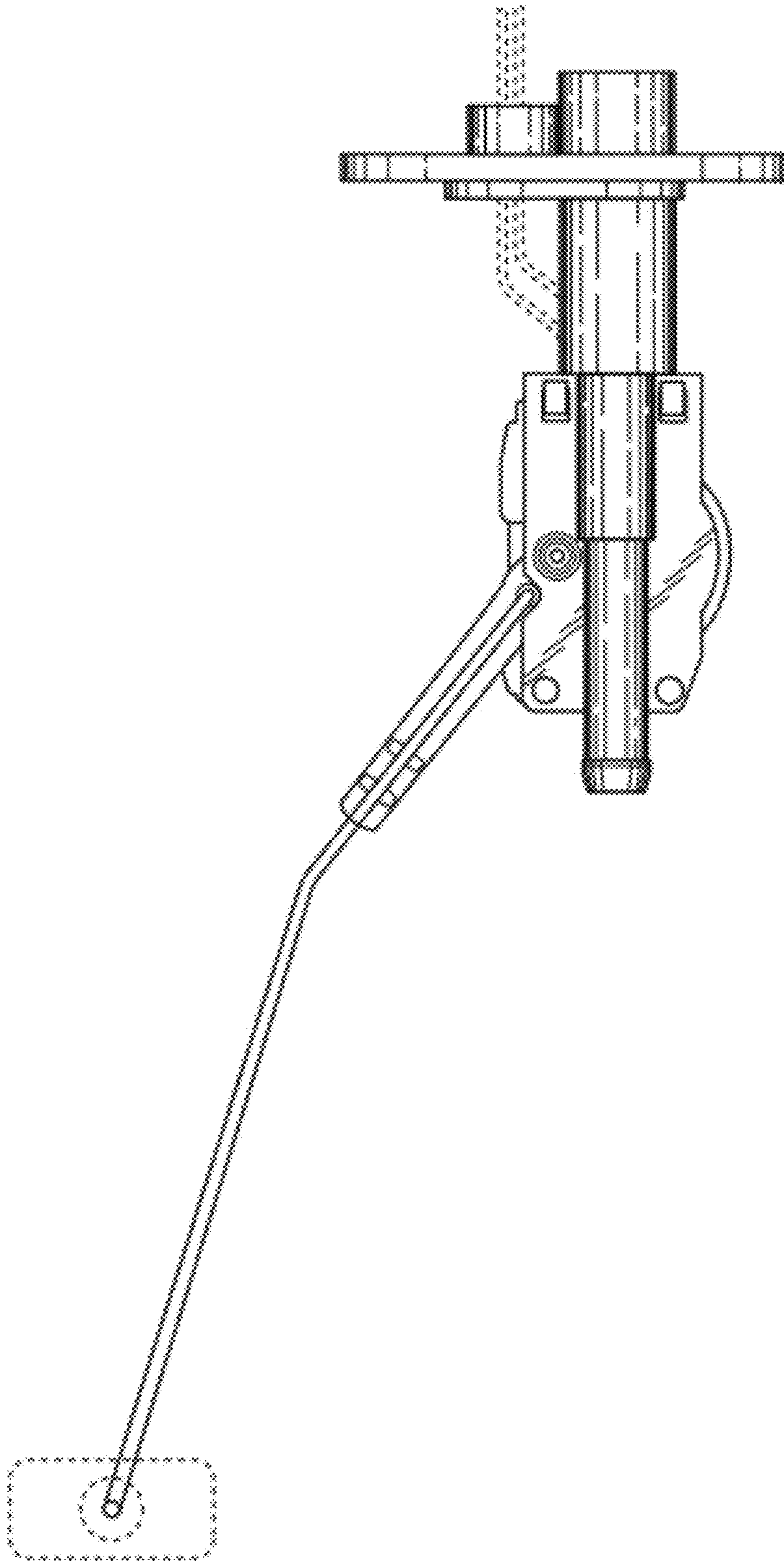


FIG. 3

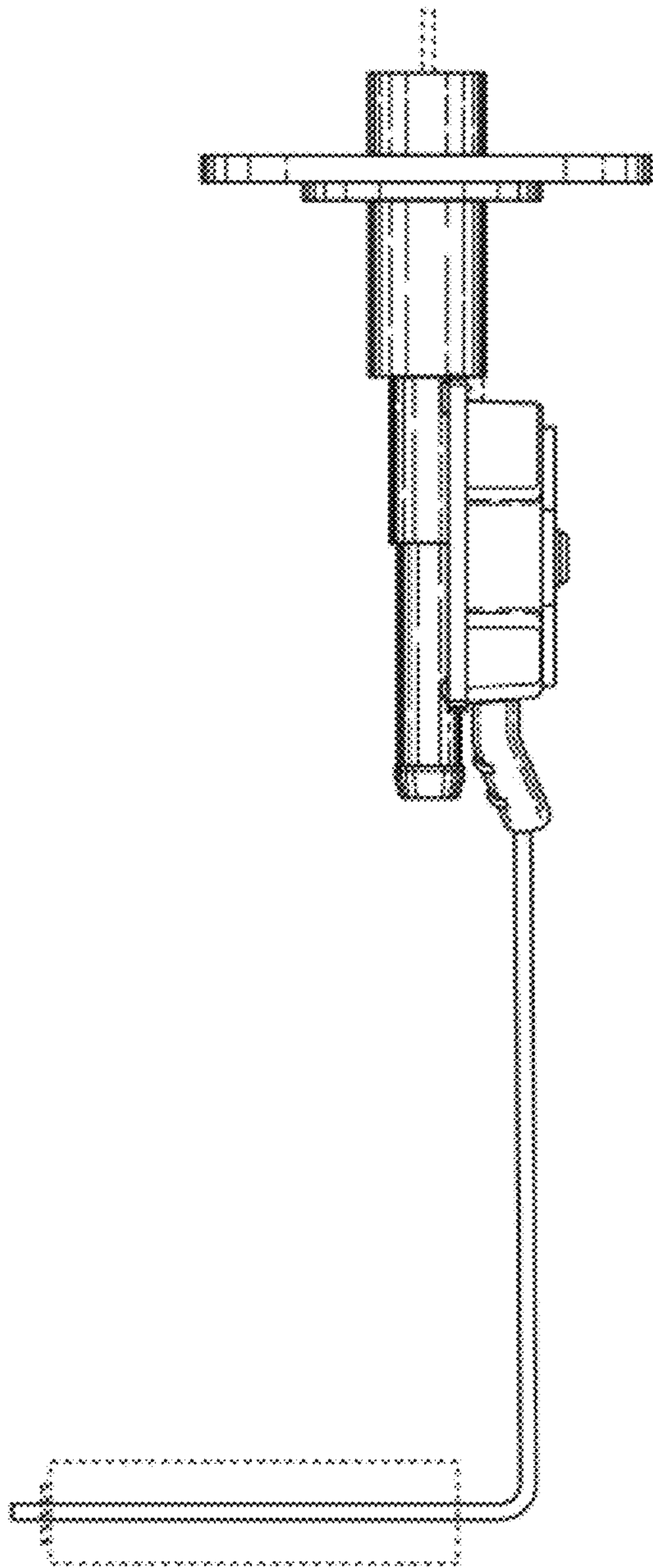


FIG. 4

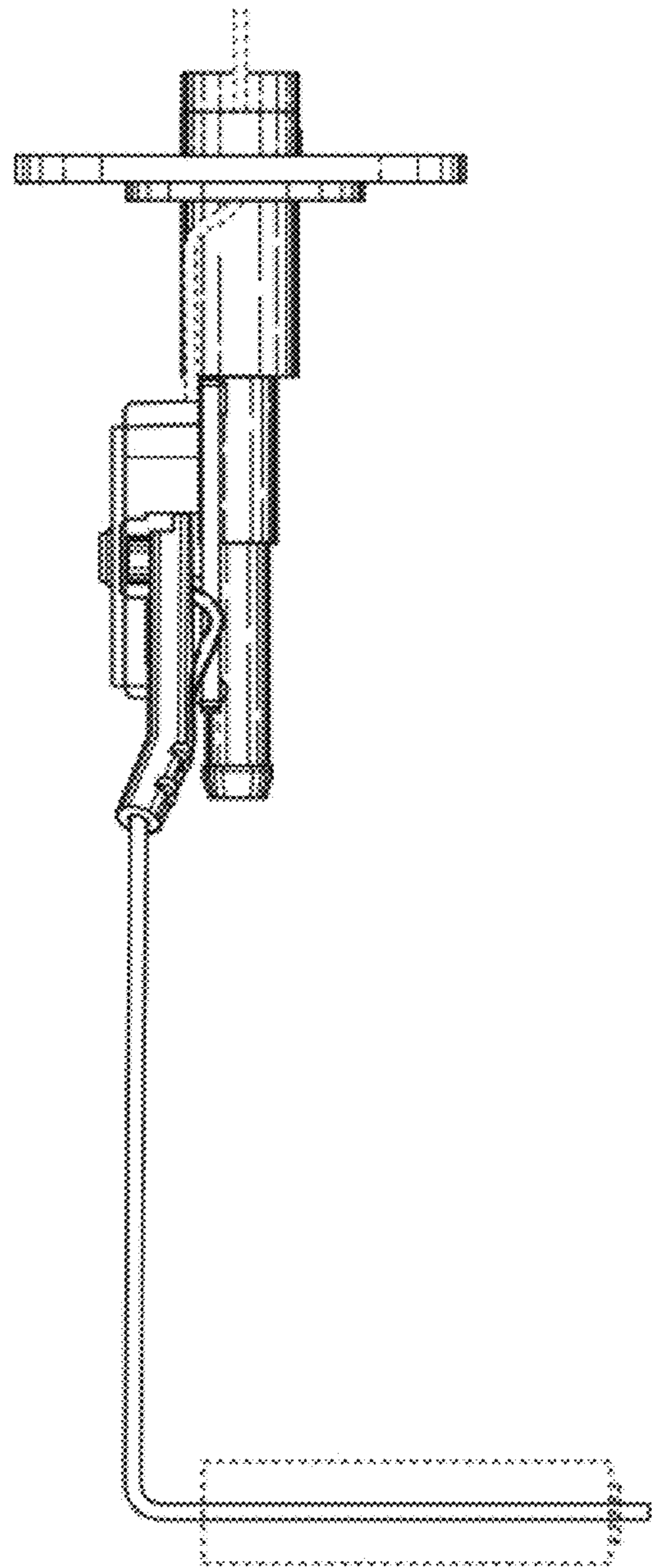


FIG. 5

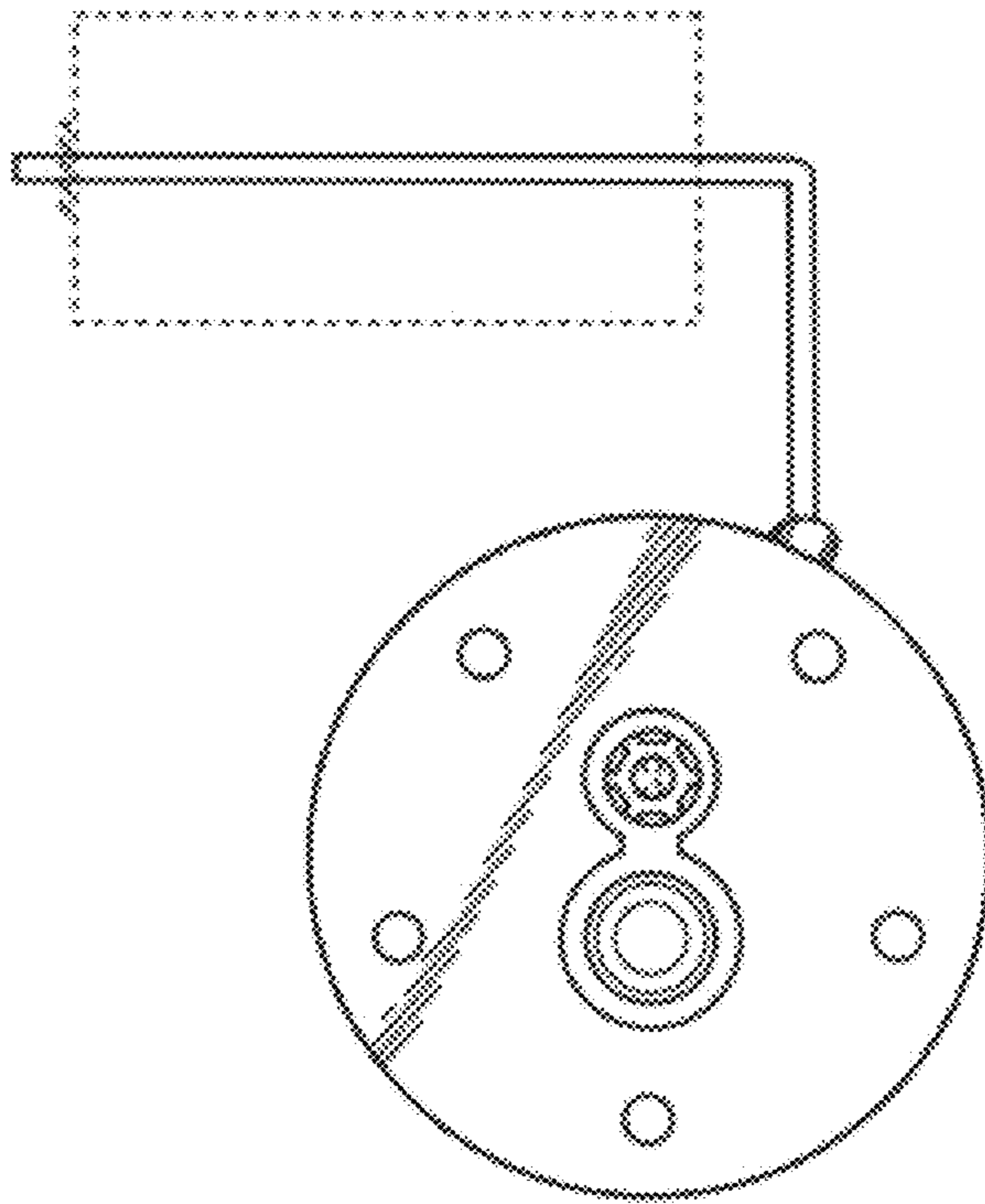
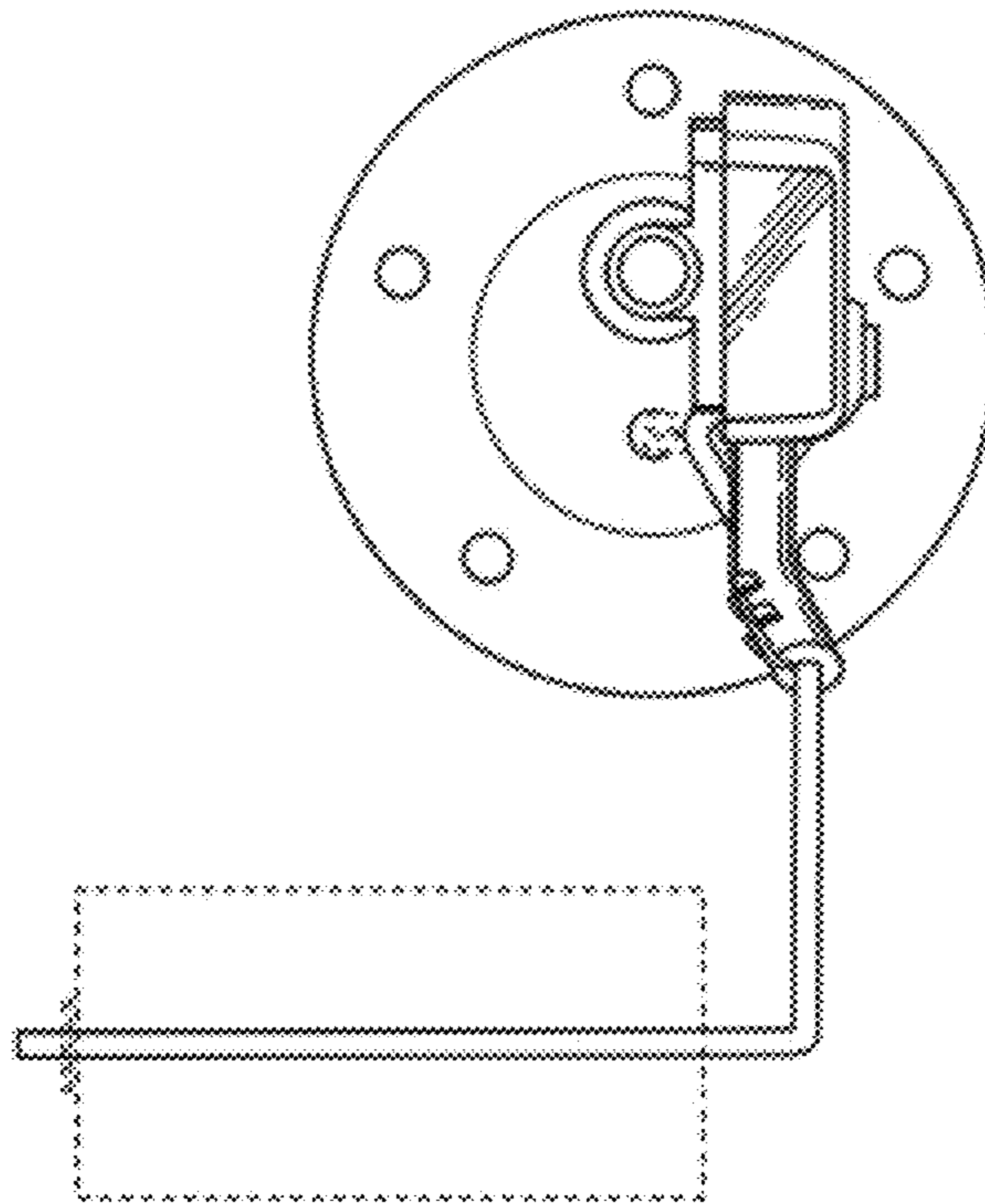


FIG. 6

FIG. 7



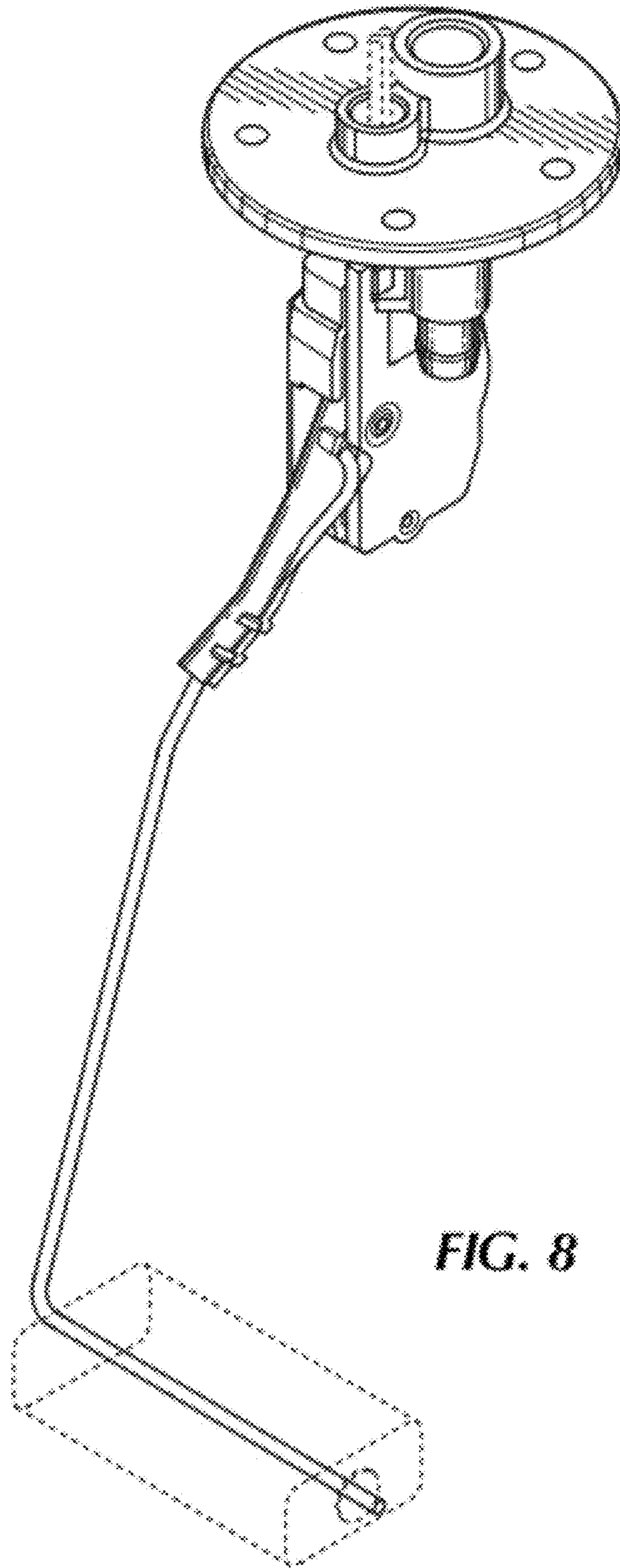


FIG. 8

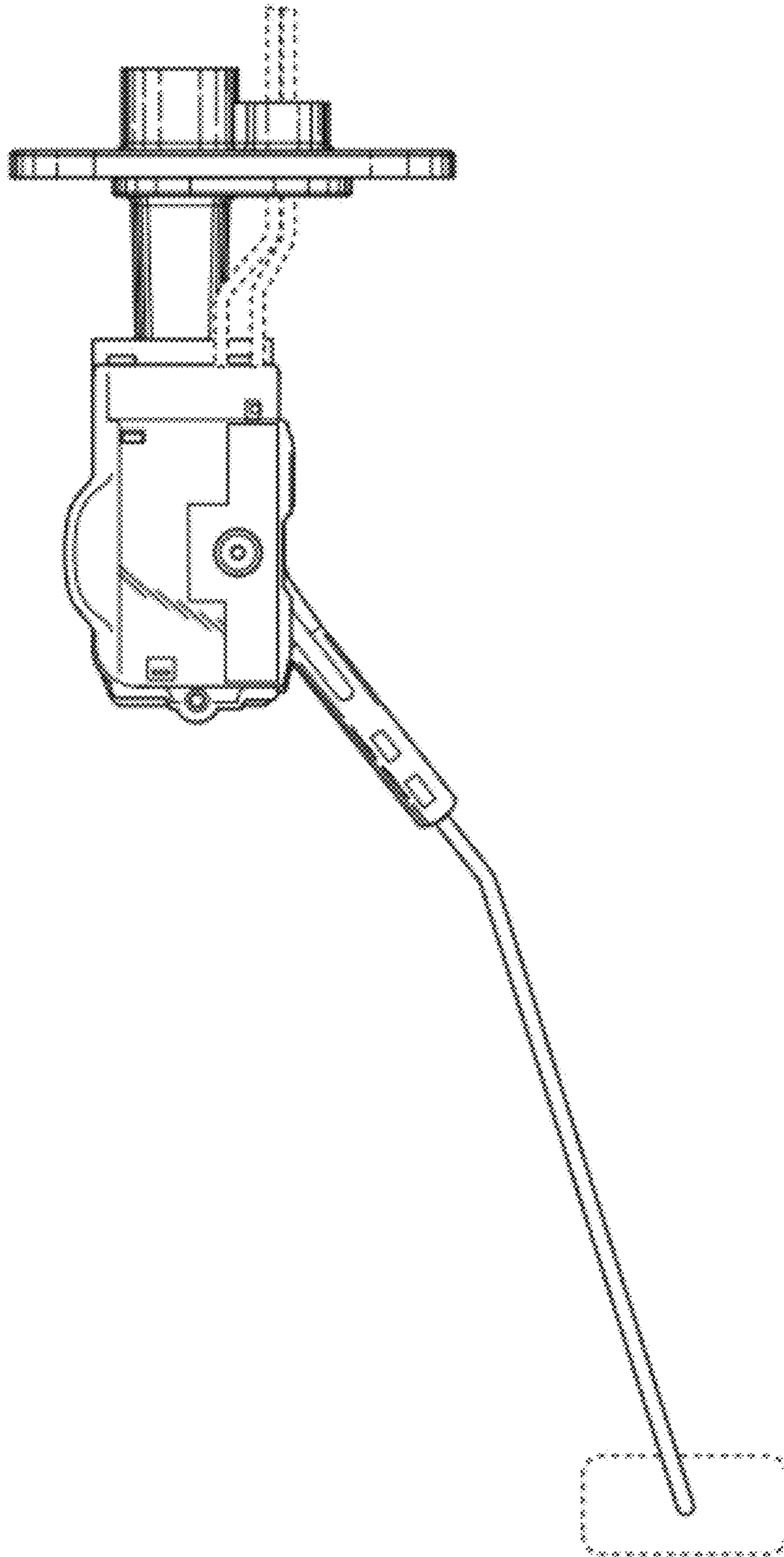


FIG. 9

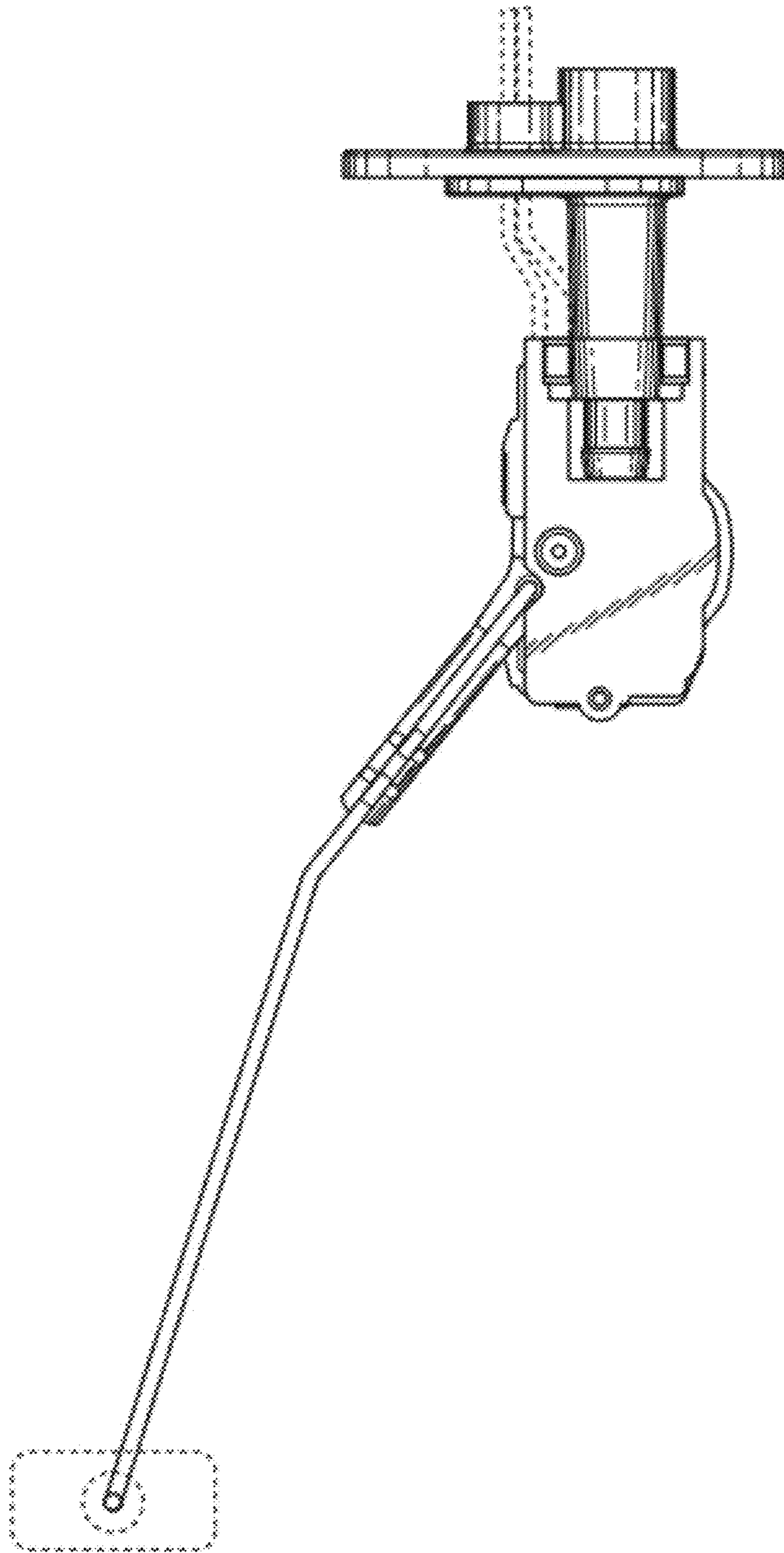


FIG. 10

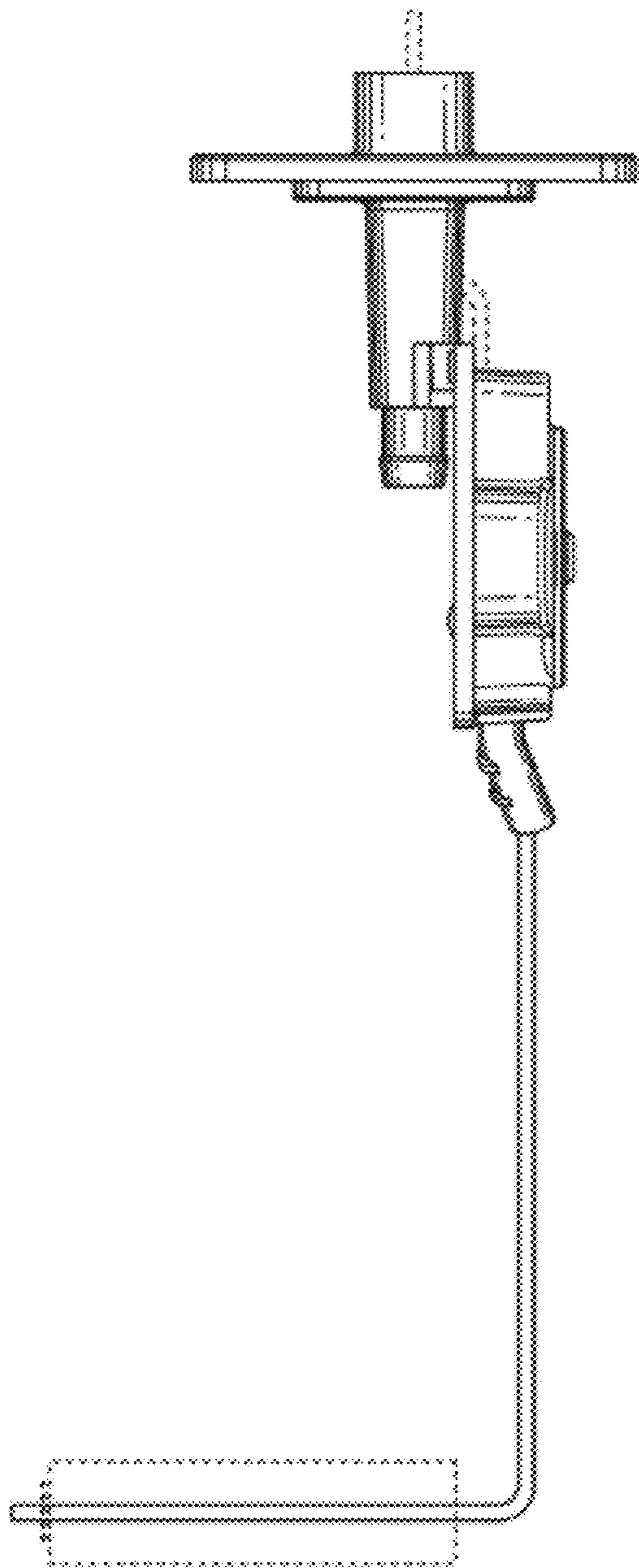


FIG. 11

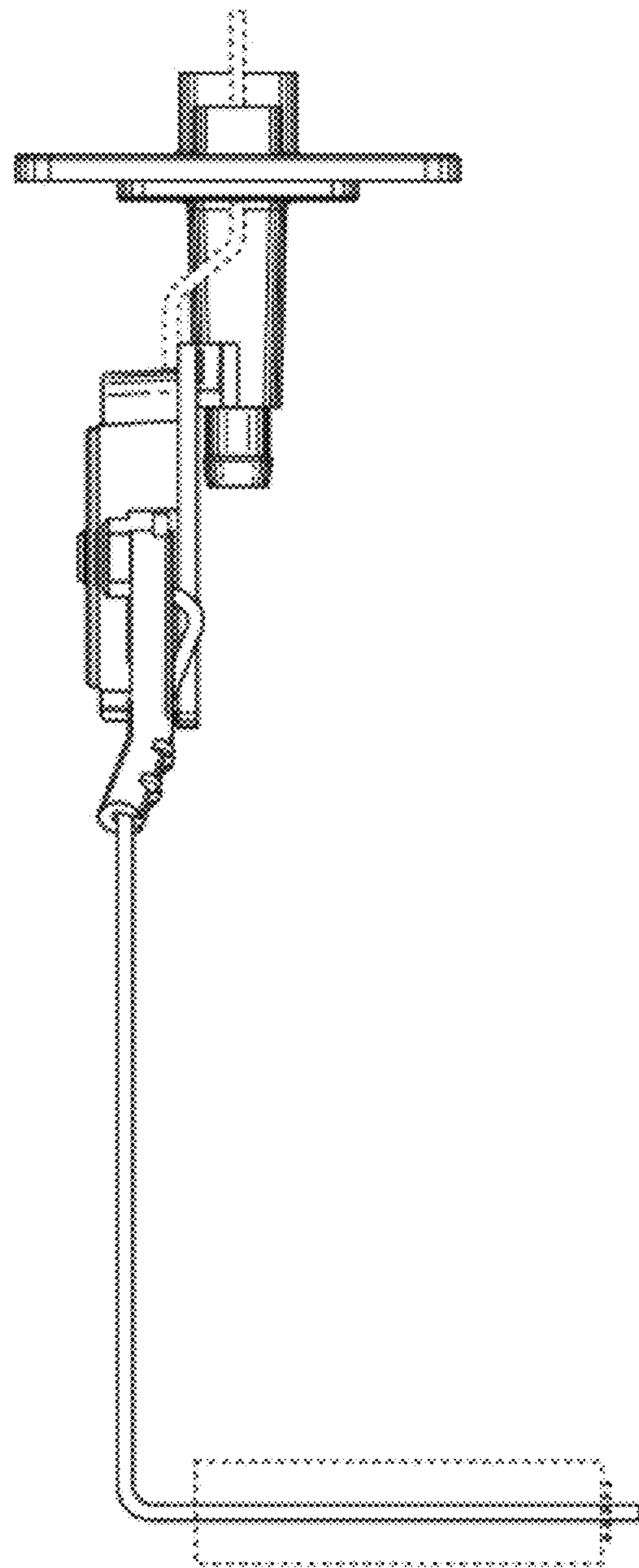


FIG. 12

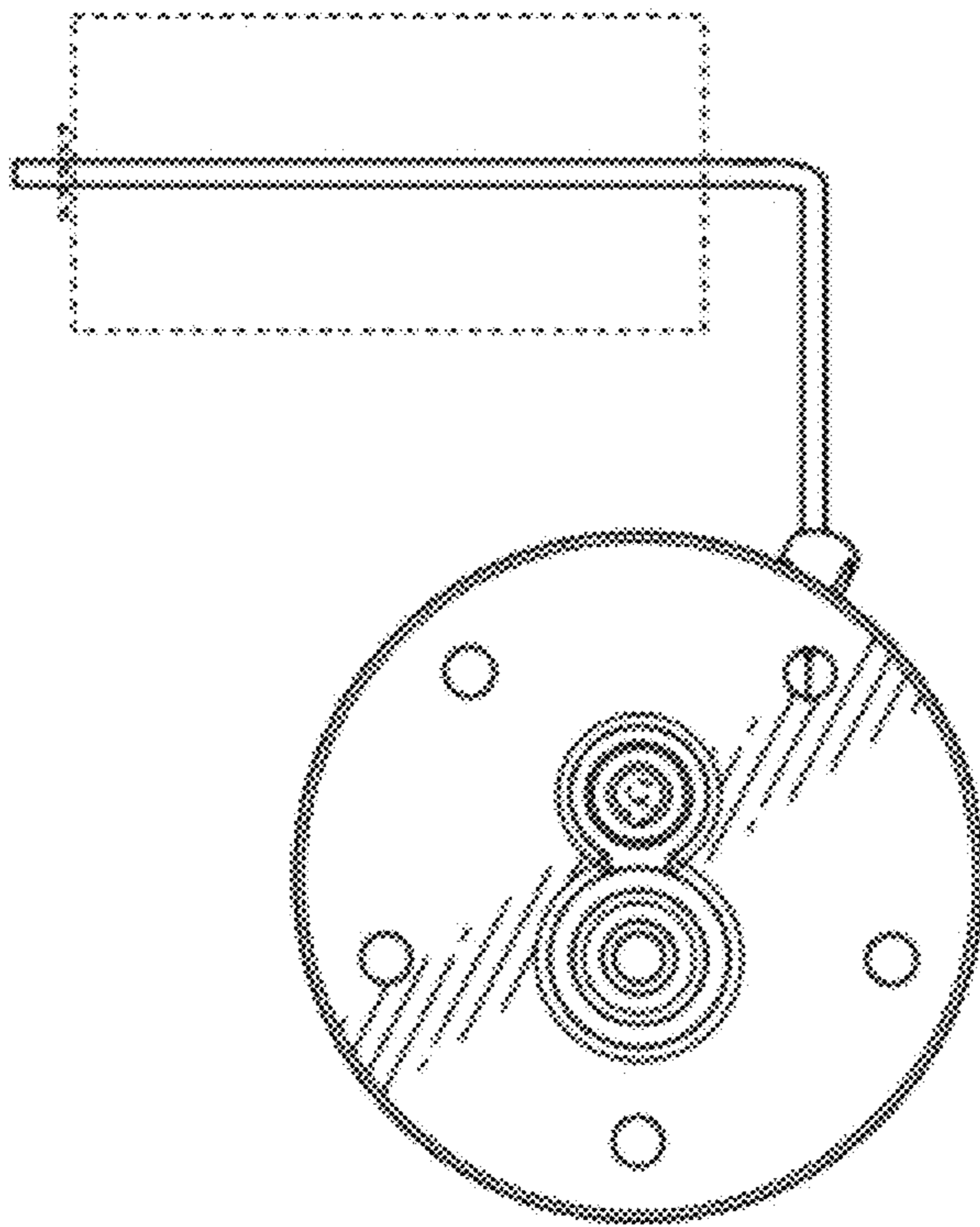


FIG. 13

FIG. 14

