

US00D661999S

(12) **United States Design Patent**  
**Pulford**

(10) **Patent No.:** **US D661,999 S**

(45) **Date of Patent:** **\*\* Jun. 19, 2012**

(54) **HANDHELD BREATH TEST DEVICE**

D540,208 S 4/2007 Mobley et al.  
D540,209 S 4/2007 Mobley et al.  
D628,104 S \* 11/2010 Zheng ..... D10/81

(75) Inventor: **Craig M. Pulford**, Baltimore, MD (US)

\* cited by examiner

(73) Assignee: **Alcohol Detection Systems, Inc.**,  
Baltimore, MD (US)

*Primary Examiner* — Antoine D Davis

(\*\*) Term: **14 Years**

(74) *Attorney, Agent, or Firm* — Hooker & Habib, P.C.

(21) Appl. No.: **29/388,606**

(57) **CLAIM**

The ornamental design of a handheld breath test device, as shown and described.

(22) Filed: **Mar. 31, 2011**

(51) **LOC (9) Cl.** ..... **10-04**

**DESCRIPTION**

(52) **U.S. Cl.** ..... **D10/81; D10/78**

(58) **Field of Classification Search** ..... D10/78,  
D10/81; 128/719, 745; 180/272; 340/576;  
422/84, 50, 58, 61–63, 67, 68.1, 80, 82.03;  
436/132, 900; 600/532, 543, 530; 206/229

FIG. 1 is a front view of my device;  
FIG. 2 is a rear view of my device;  
FIG. 3 is a top view of my device;  
FIG. 4 is a bottom view of my device;  
FIG. 5 is a left view of my device;  
FIG. 6 is a right view of my device;  
FIG. 7 is a right perspective view of my device; and,  
FIG. 8 is a left perspective view of my device.

See application file for complete search history.

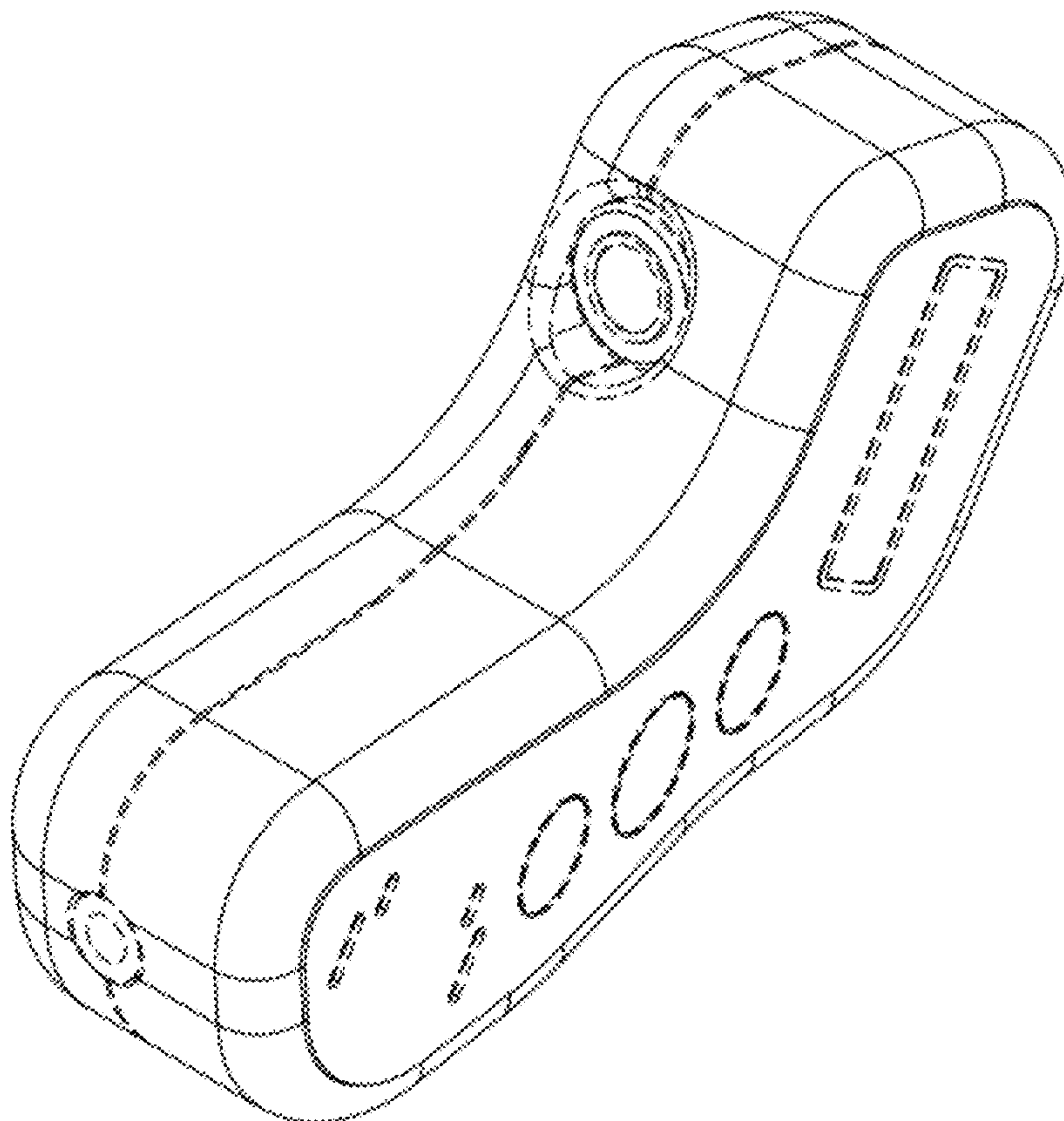
In the drawings, my design is showing in solid lines. Broken lines illustrate environment associated with the design being for illustrative purposes only and forming no part of the claimed design.

(56) **References Cited**

**U.S. PATENT DOCUMENTS**

5,020,628 A \* 6/1991 Bigliardi et al. .... 73/23.3  
D458,167 S \* 6/2002 Slocum et al. .... D10/81  
D521,885 S 5/2006 Eddy et al.  
D539,683 S 4/2007 Shaw et al.  
D539,684 S 4/2007 Kitamura et al.

**1 Claim, 5 Drawing Sheets**



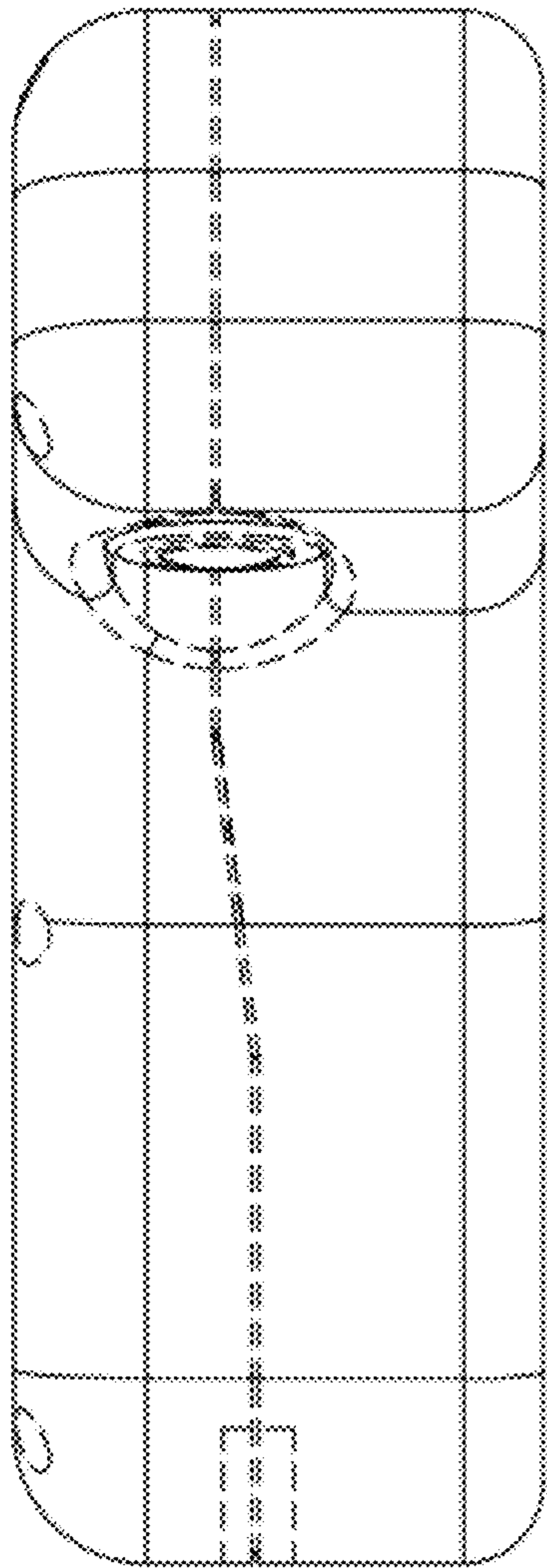


Fig. 1

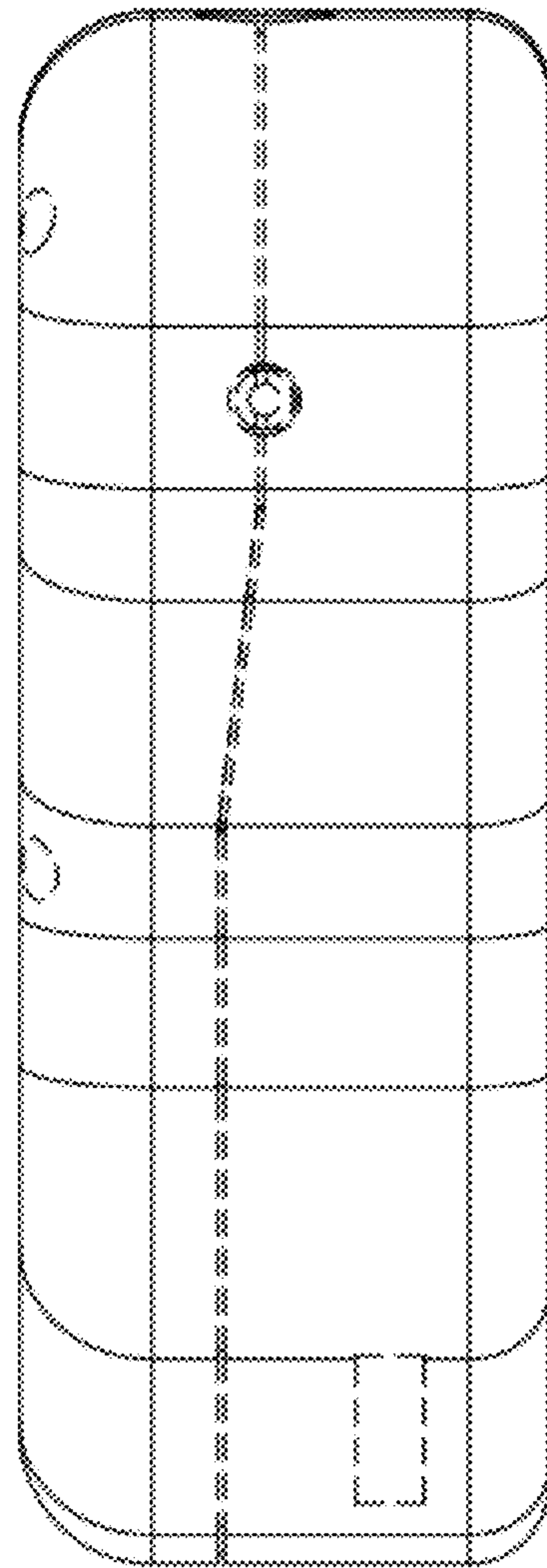


Fig. 2

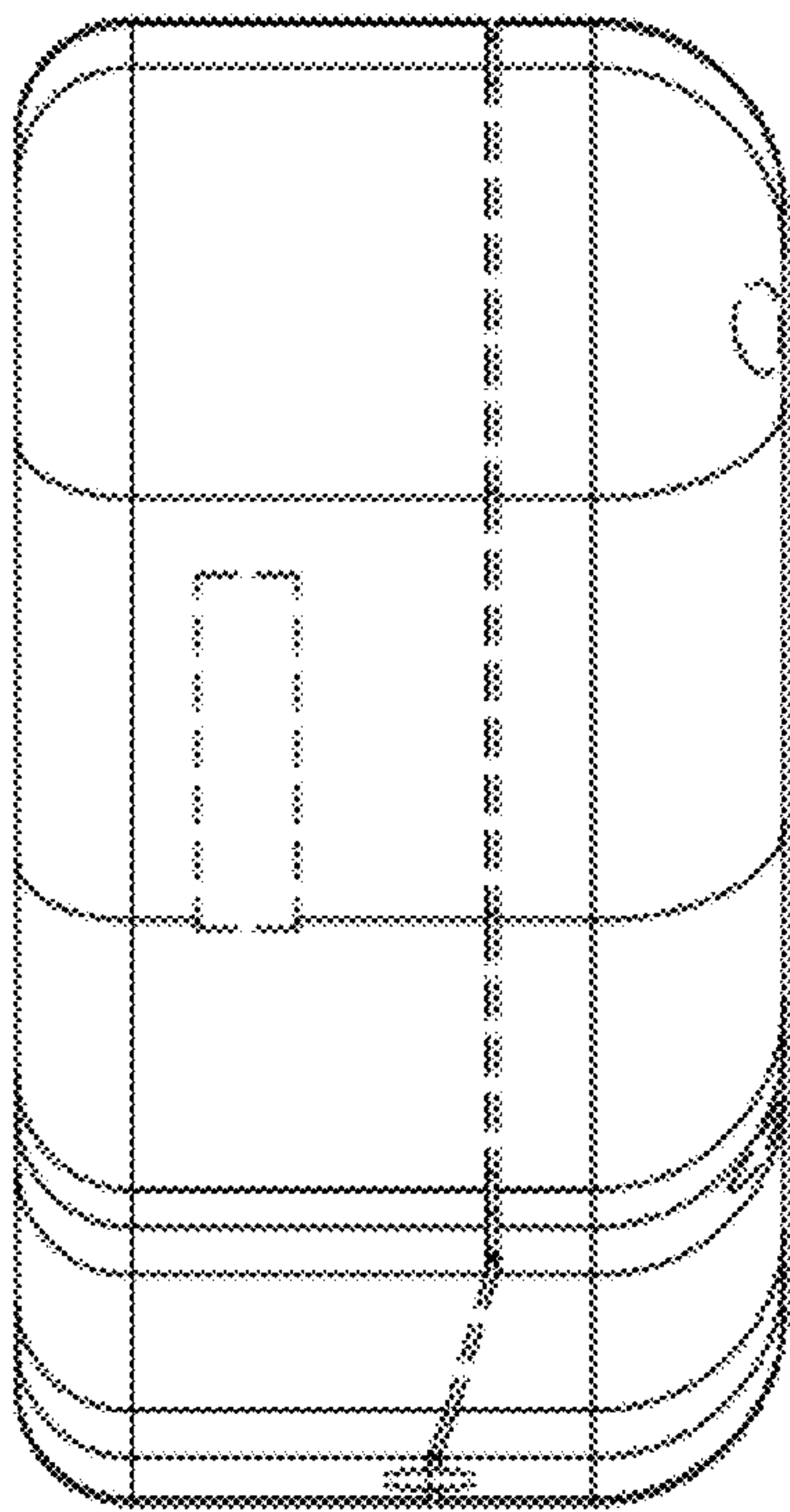


Fig. 3

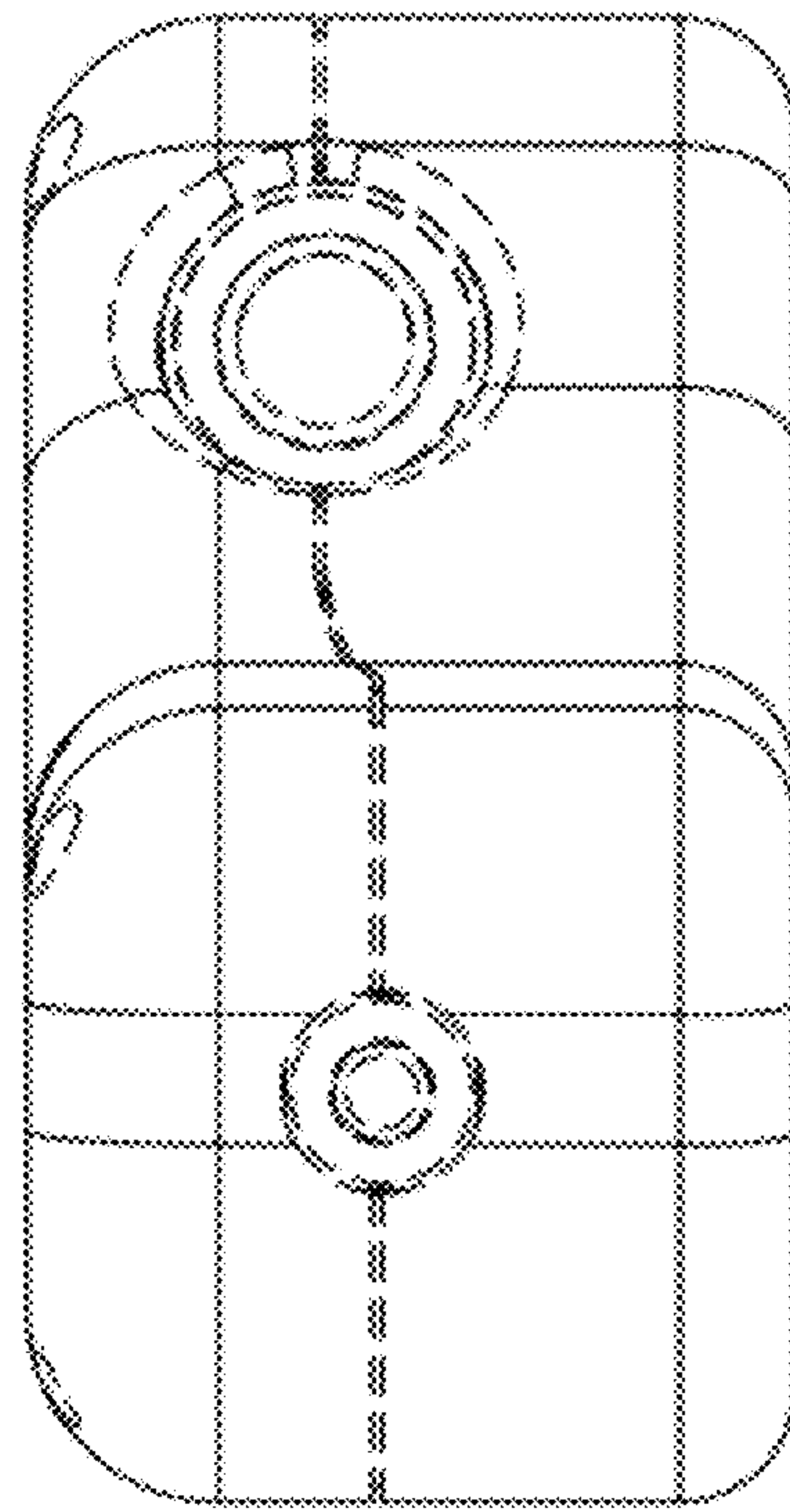


Fig. 4

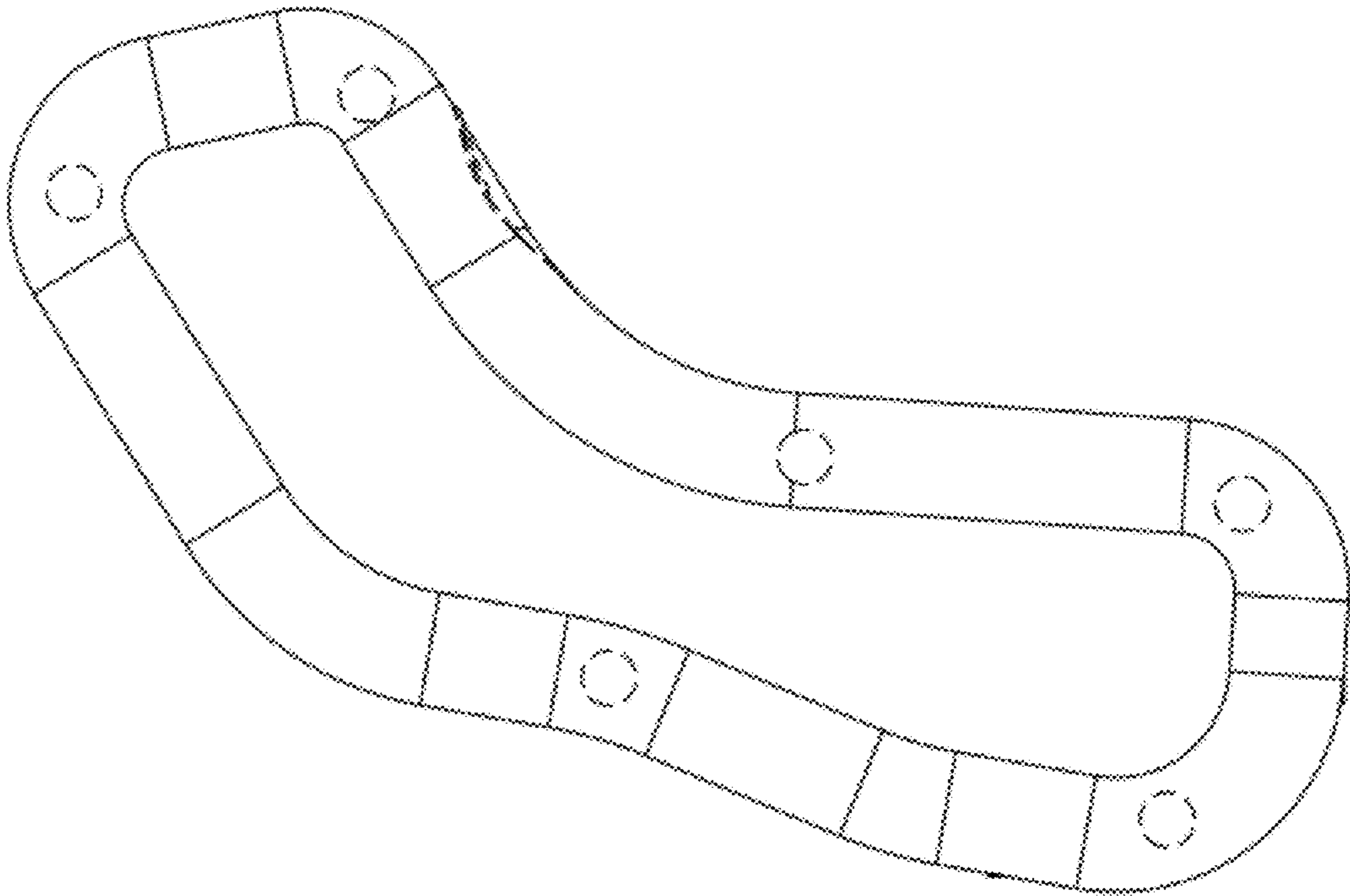


Fig. 5

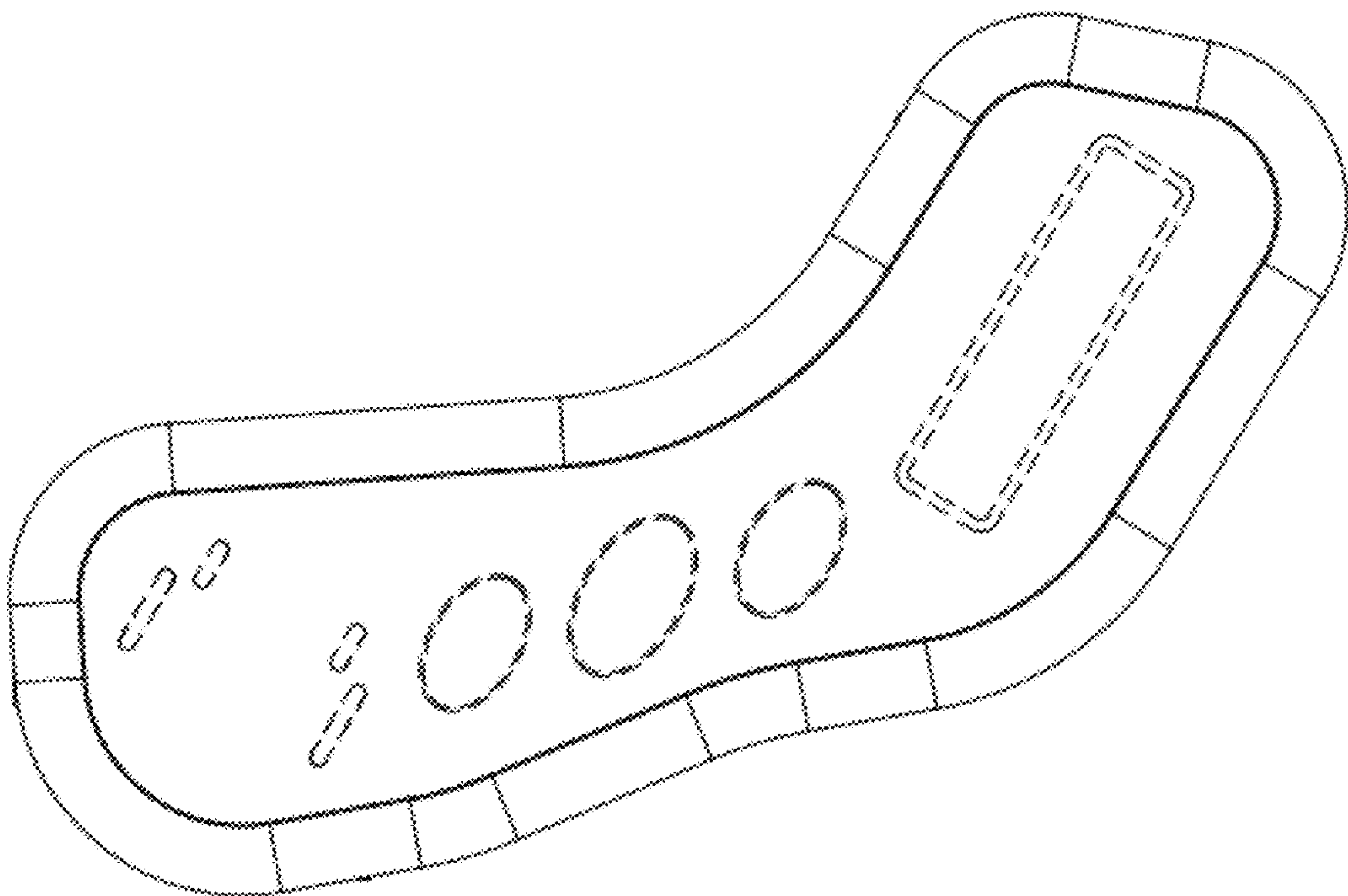


Fig. 6



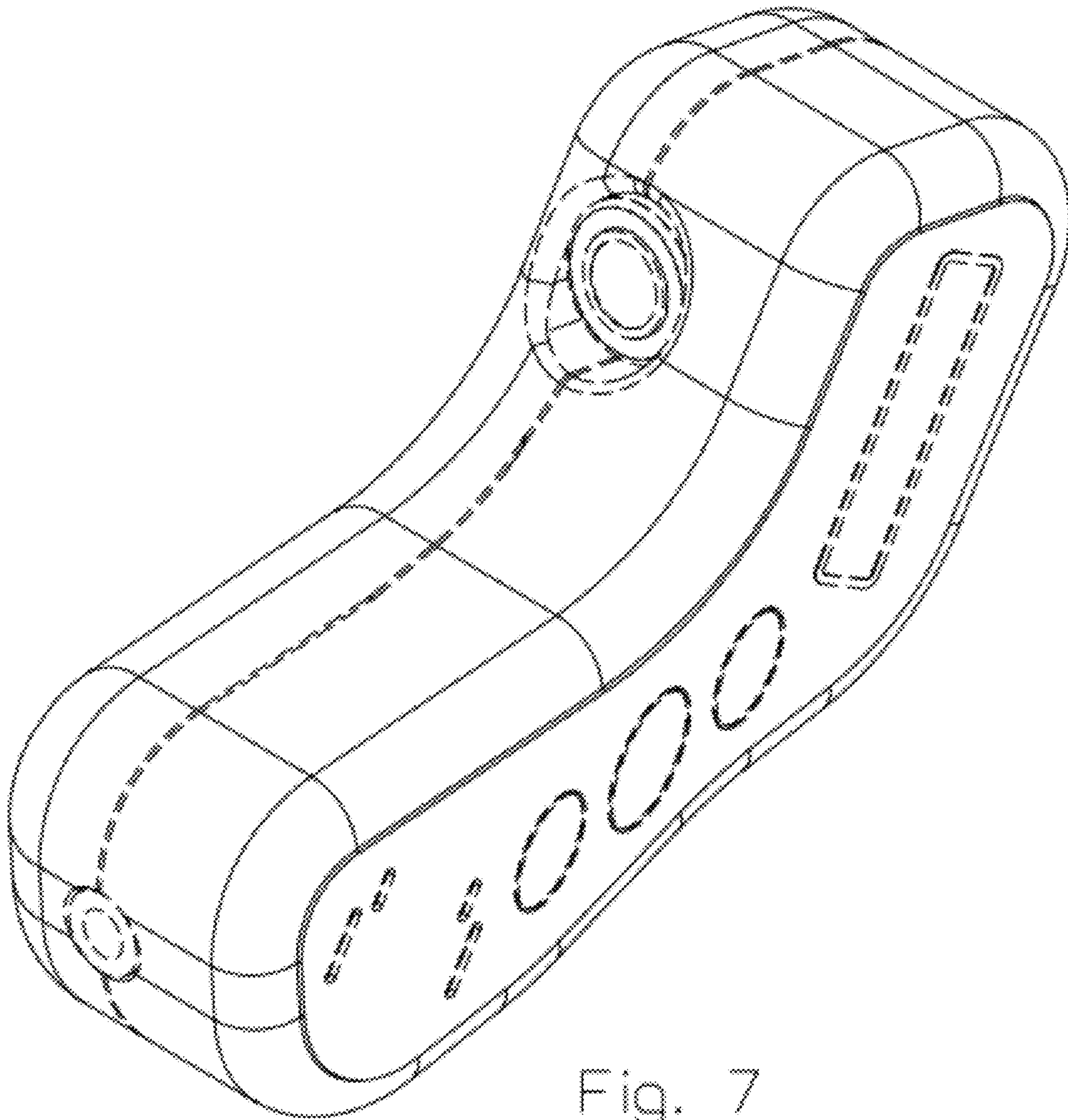


Fig. 7

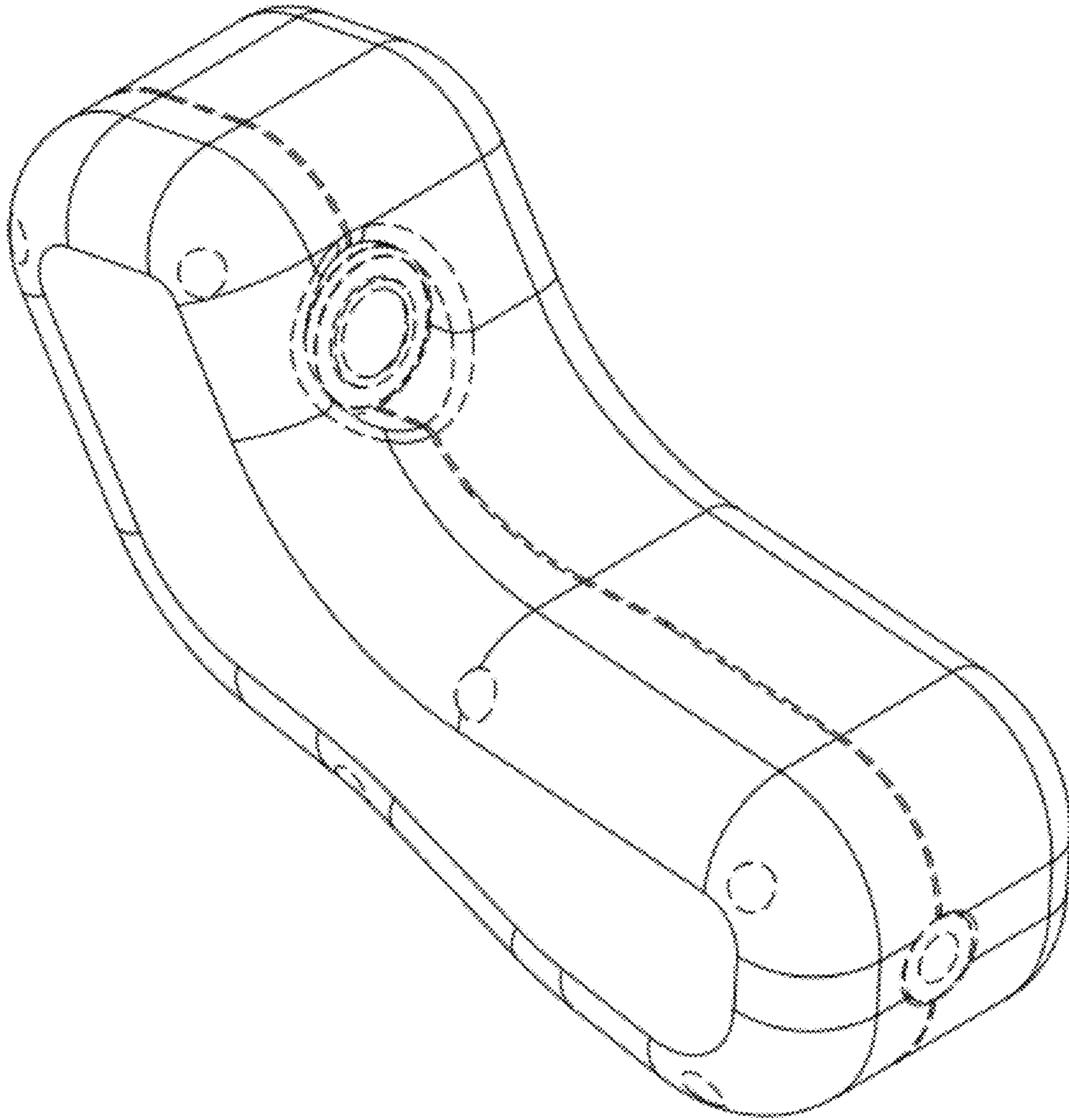


Fig. 8