

US00D661983S

(12) **United States Design Patent**
Varkovitzky

(10) **Patent No.:** **US D661,983 S**
(45) **Date of Patent:** **** Jun. 19, 2012**

(54) **REUSABLE APPLICATOR TIP**

(76) Inventor: **Abraham Varkovitzky**, Bloomfield Township, MI (US)

(**) Term: **14 Years**

(21) Appl. No.: **29/372,778**

(22) Filed: **Jan. 12, 2011**

(51) **LOC (9) Cl.** **09-07**

(52) **U.S. Cl.** **D9/447**

(58) **Field of Classification Search** D9/499,
D9/455, 450, 449, 447, 443, 440, 436; D8/373;
D7/590, 512, 396.2, 392.1; D4/116, 114;
D10/74, 72; 248/113; 222/536, 521, 480;
220/254.3; 215/228

See application file for complete search history.

(56) **References Cited**

U.S. PATENT DOCUMENTS

- 3,045,860 A * 7/1962 Desgagne 220/254.3
- D266,149 S * 9/1982 Charlton et al. D9/436
- D279,357 S * 6/1985 Mitchell D9/450
- D620,747 S * 8/2010 Taketani et al. D7/392.1

* cited by examiner

Primary Examiner — Susan Bennett Hattan

(74) *Attorney, Agent, or Firm* — Bernard J. Cantor

(57) **CLAIM**

The ornamental design for a reusable applicator tip, as shown and described.

DESCRIPTION

In these drawings, FIG. 1 is a front, left-side, perspective view of the design of the reusable applicator tip. The view, not shown, from the right side is a mirror image thereof.

FIG. 2 is a perspective view from the left, rear of the applicator tip, the view from the right side being a mirror image thereof.

FIG. 3 is a side view of the applicator tip, the opposite side being a mirror image thereof.

FIG. 4 is a front view of the applicator tip.

FIG. 5 is a rear view of the applicator tip.

FIG. 6 is a top view thereof.

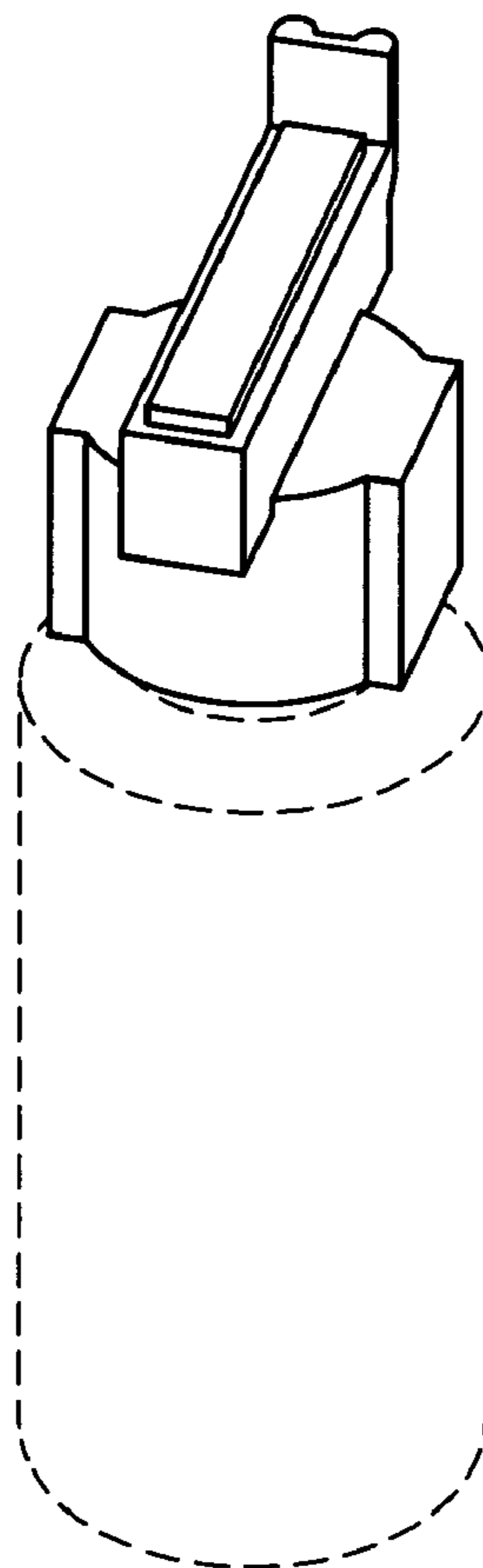
FIG. 7 is a bottom view thereof.

FIG. 8 is a view of a modification of the applicator tip design; and,

FIG. 9 is a second modification of the applicator tip design.

The broken lines in the drawings depict environmental subject matter only and form no part of the claimed design.

1 Claim, 3 Drawing Sheets



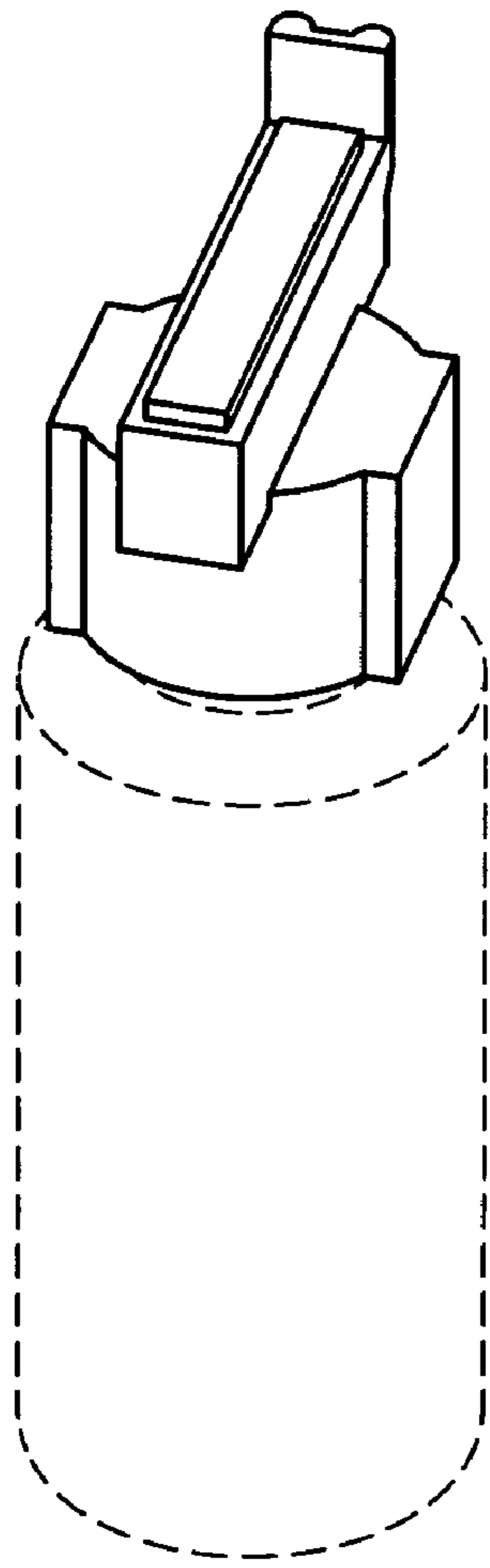


FIG 1

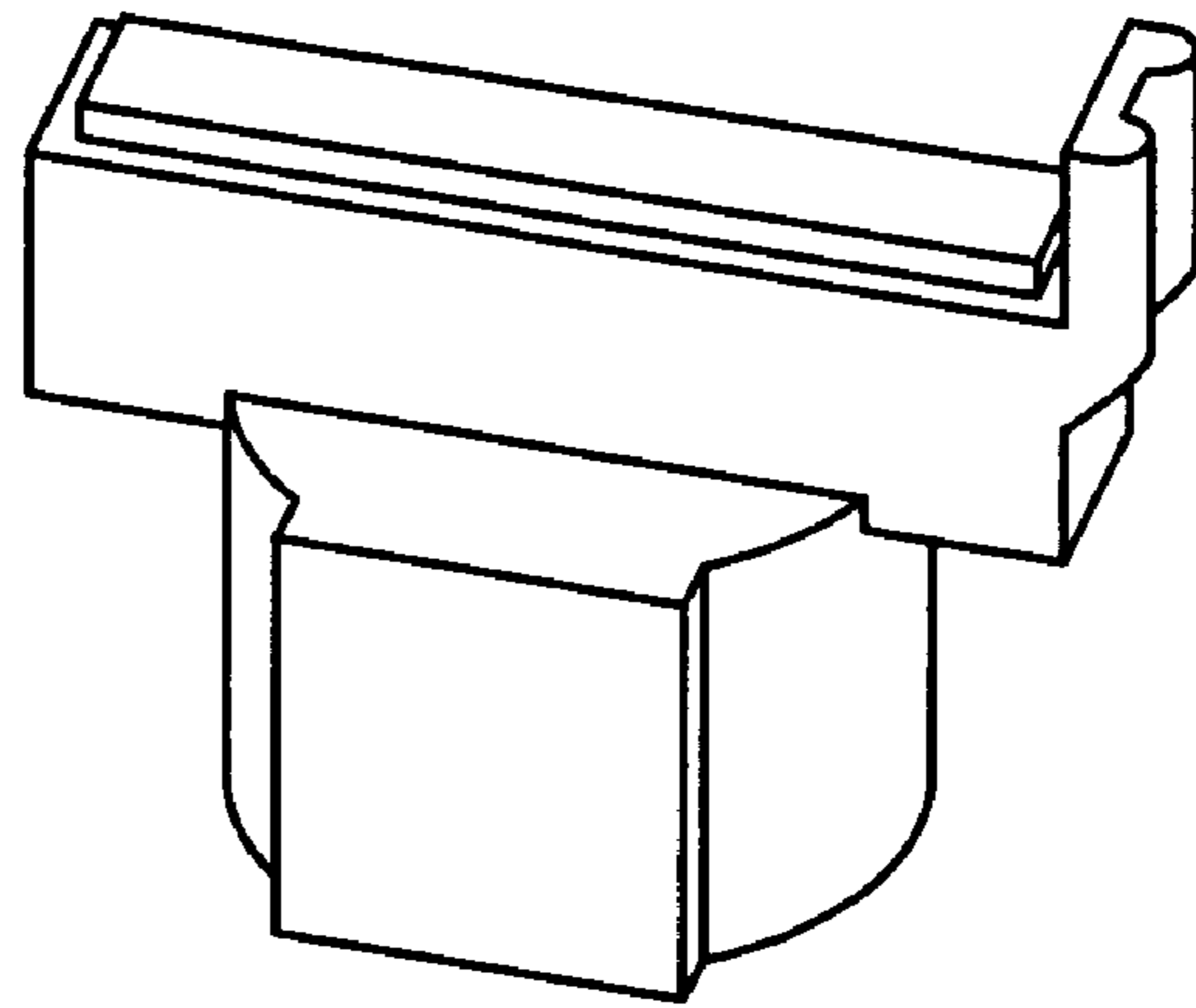


FIG 2

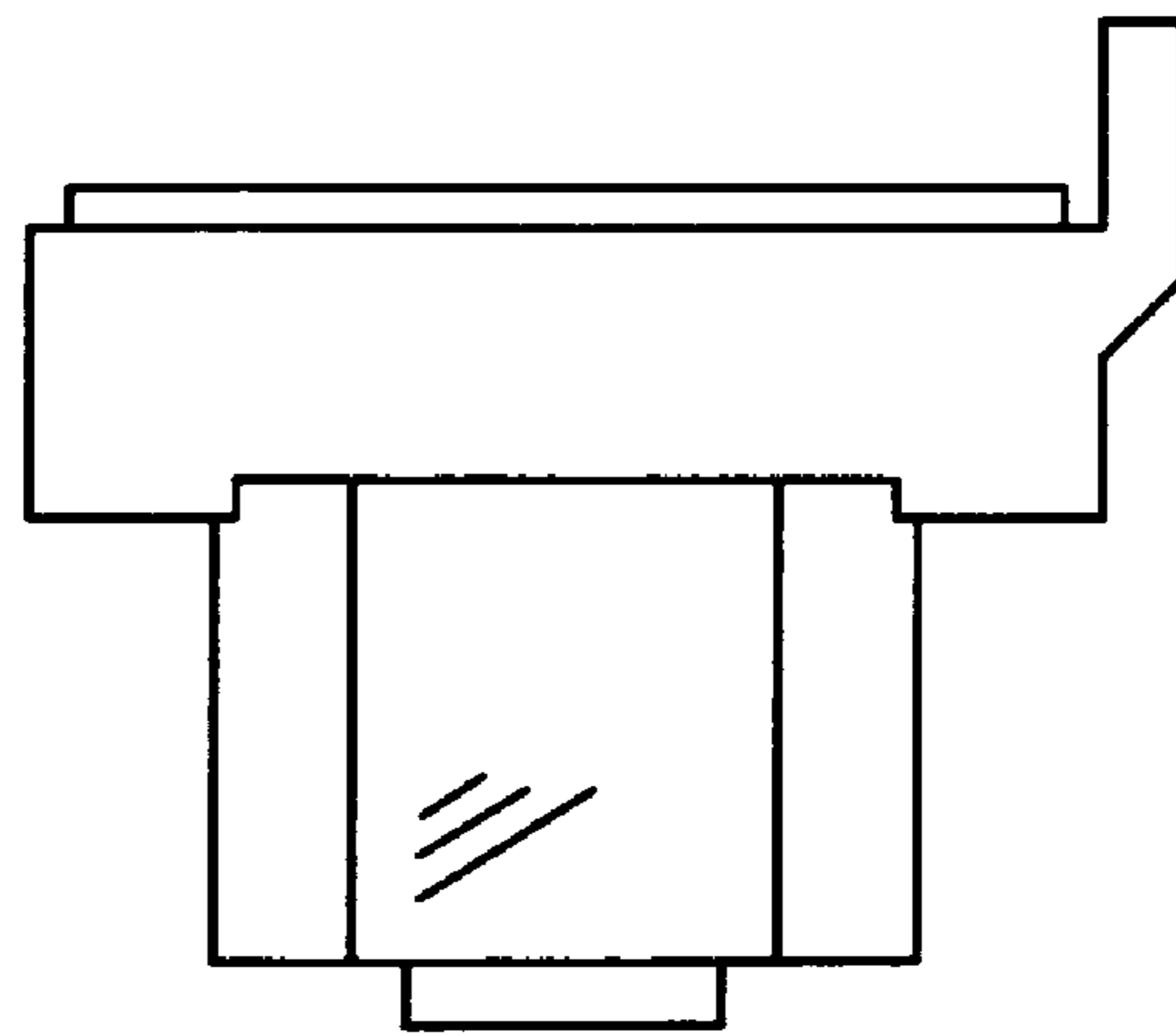


FIG 3

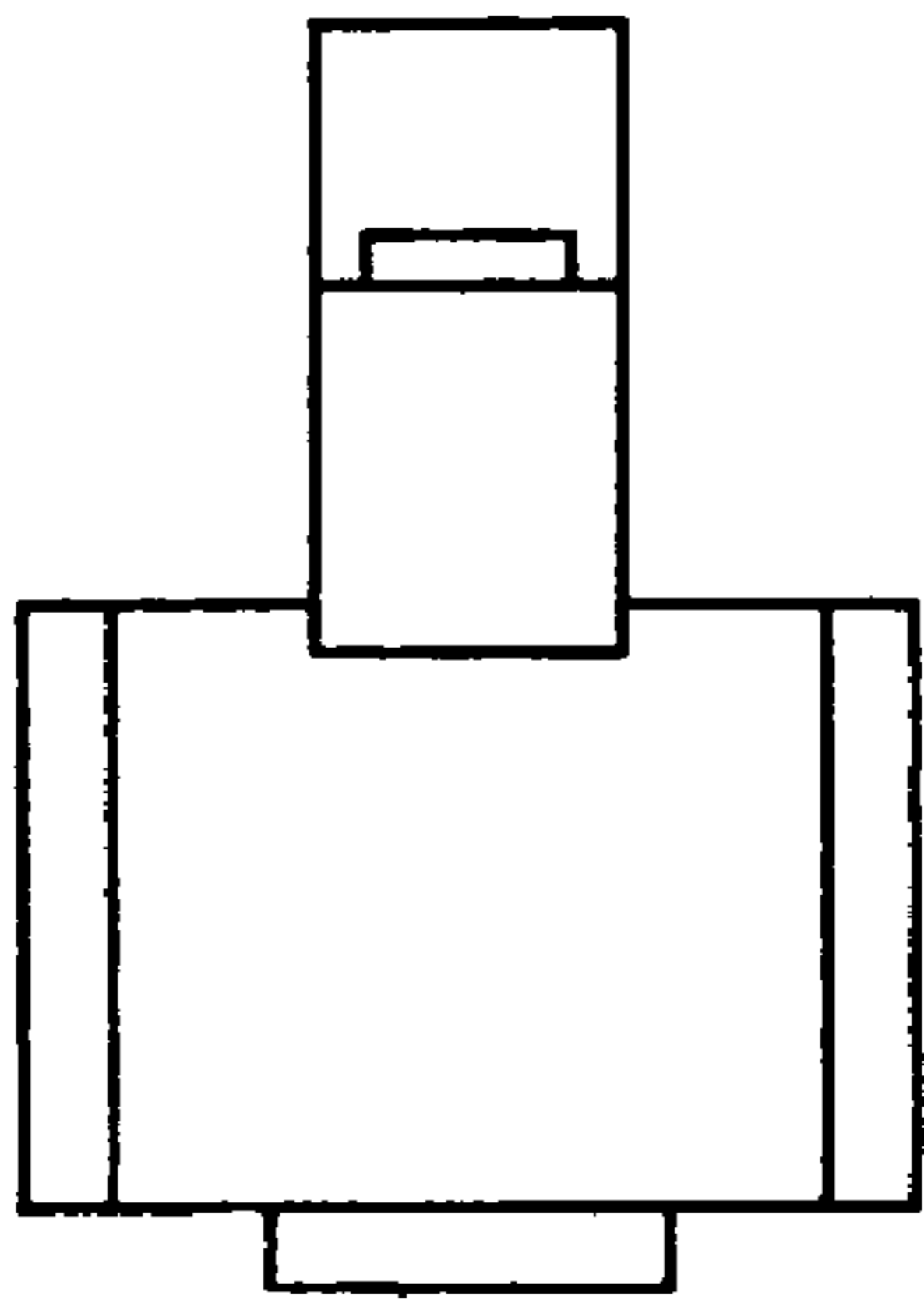


FIG 4

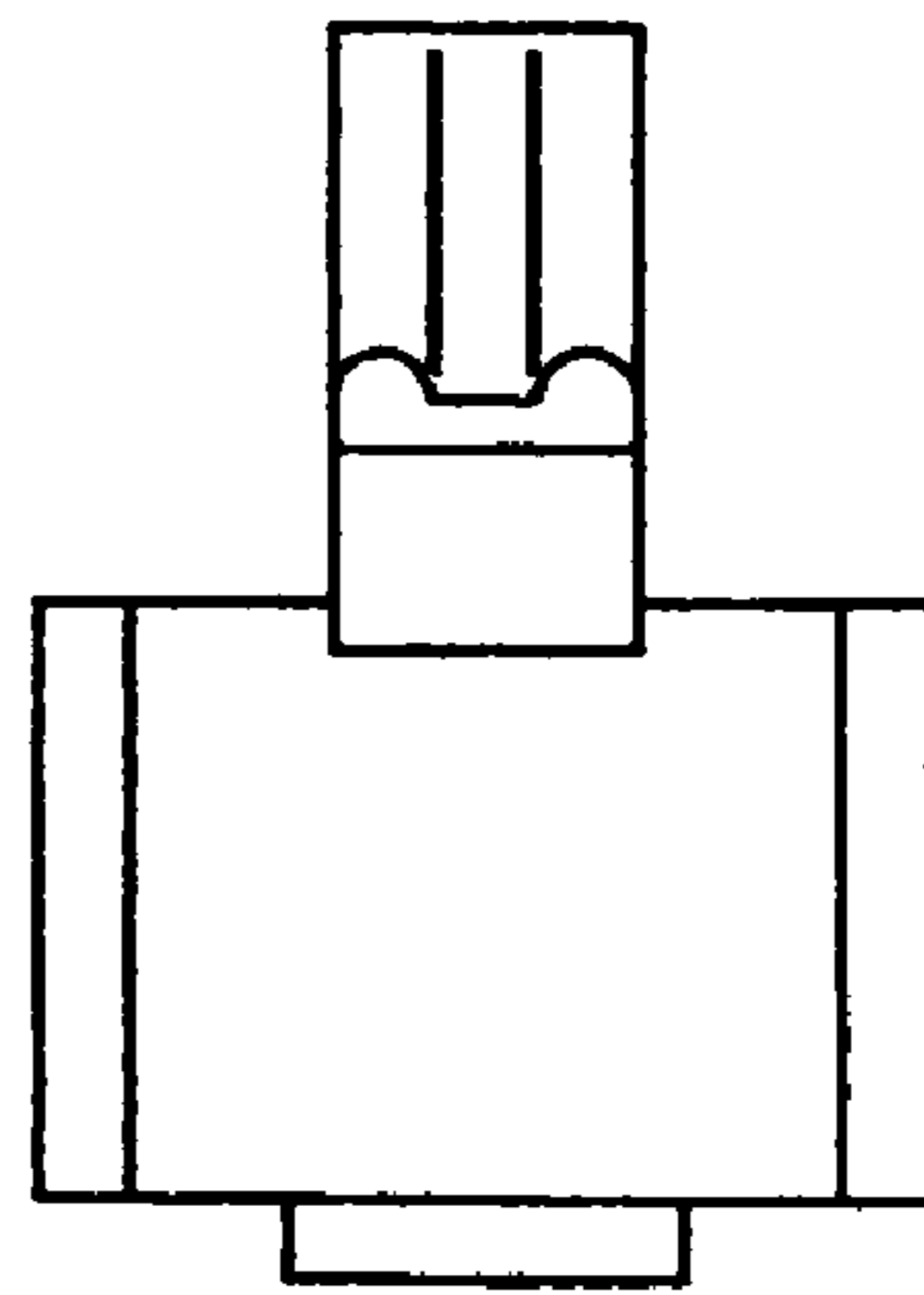


FIG 5

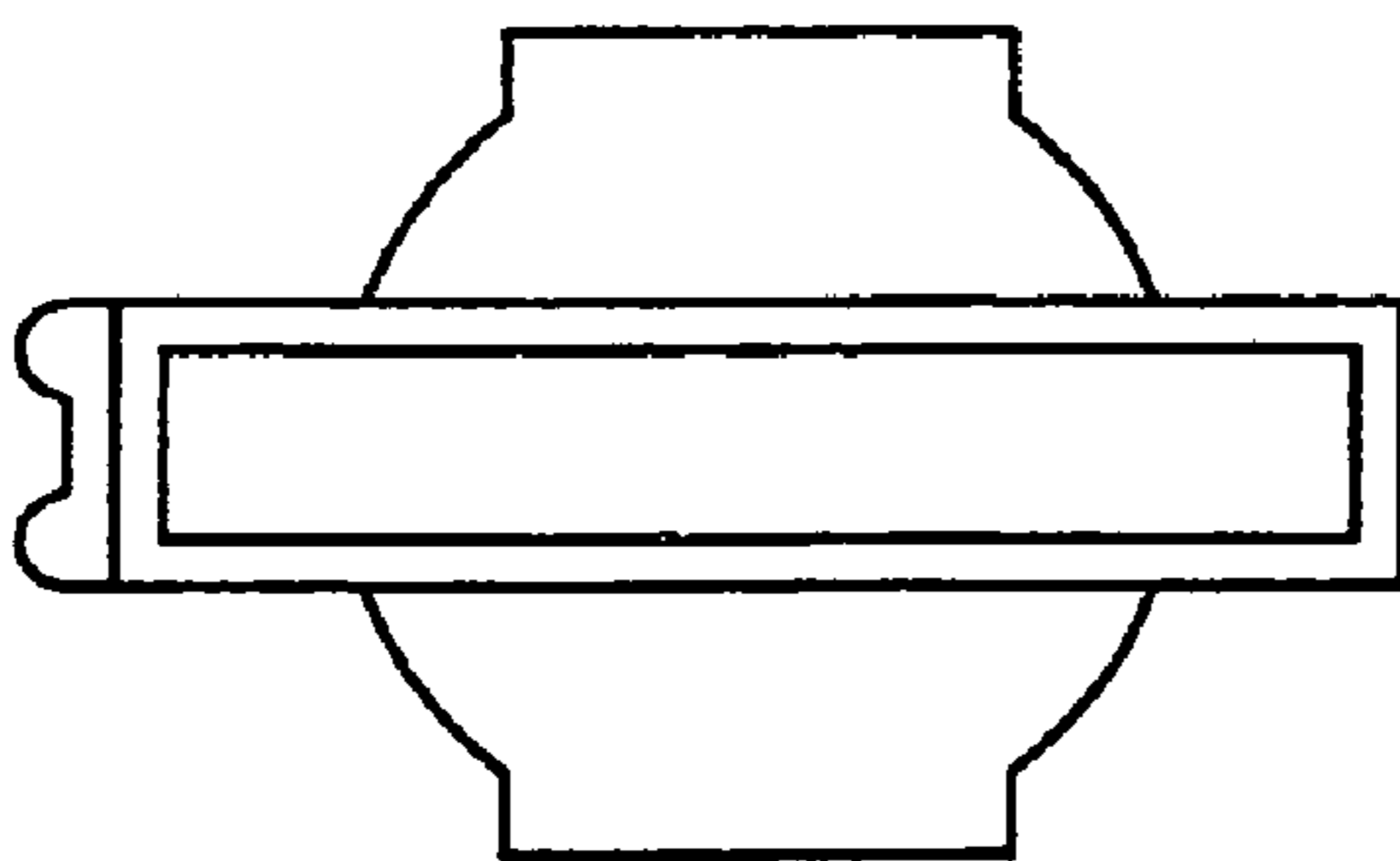


FIG 6

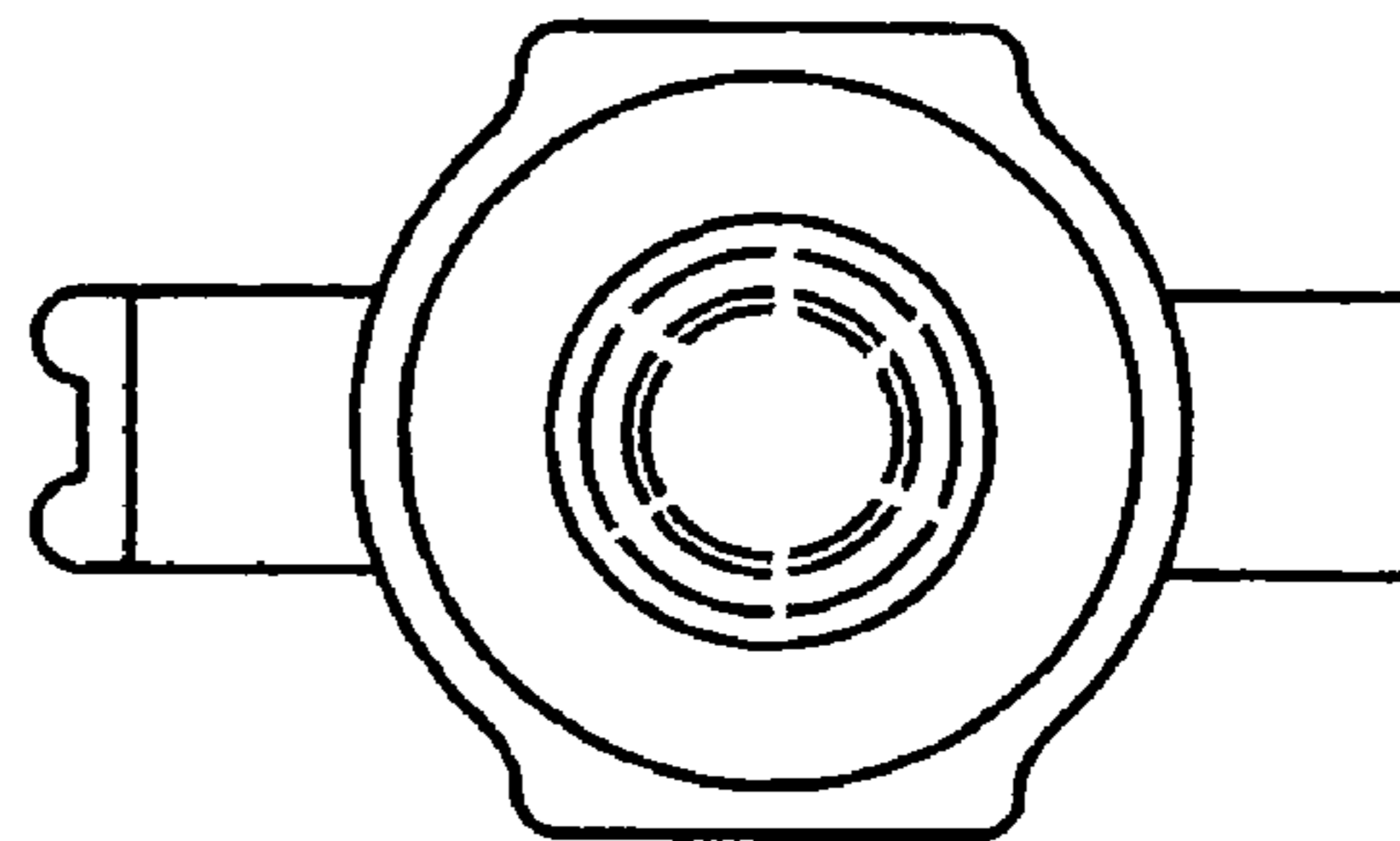


FIG 7

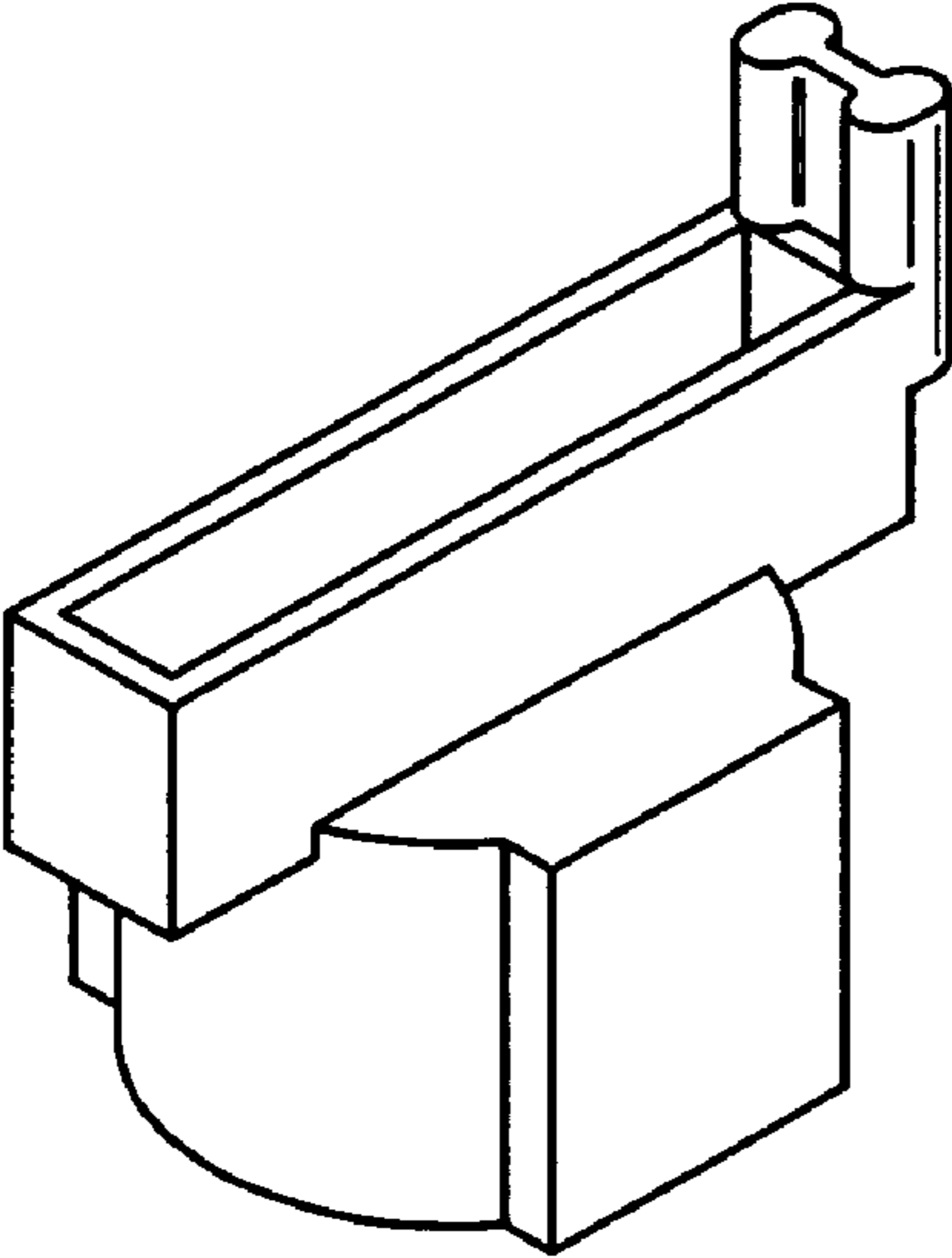


FIG 8

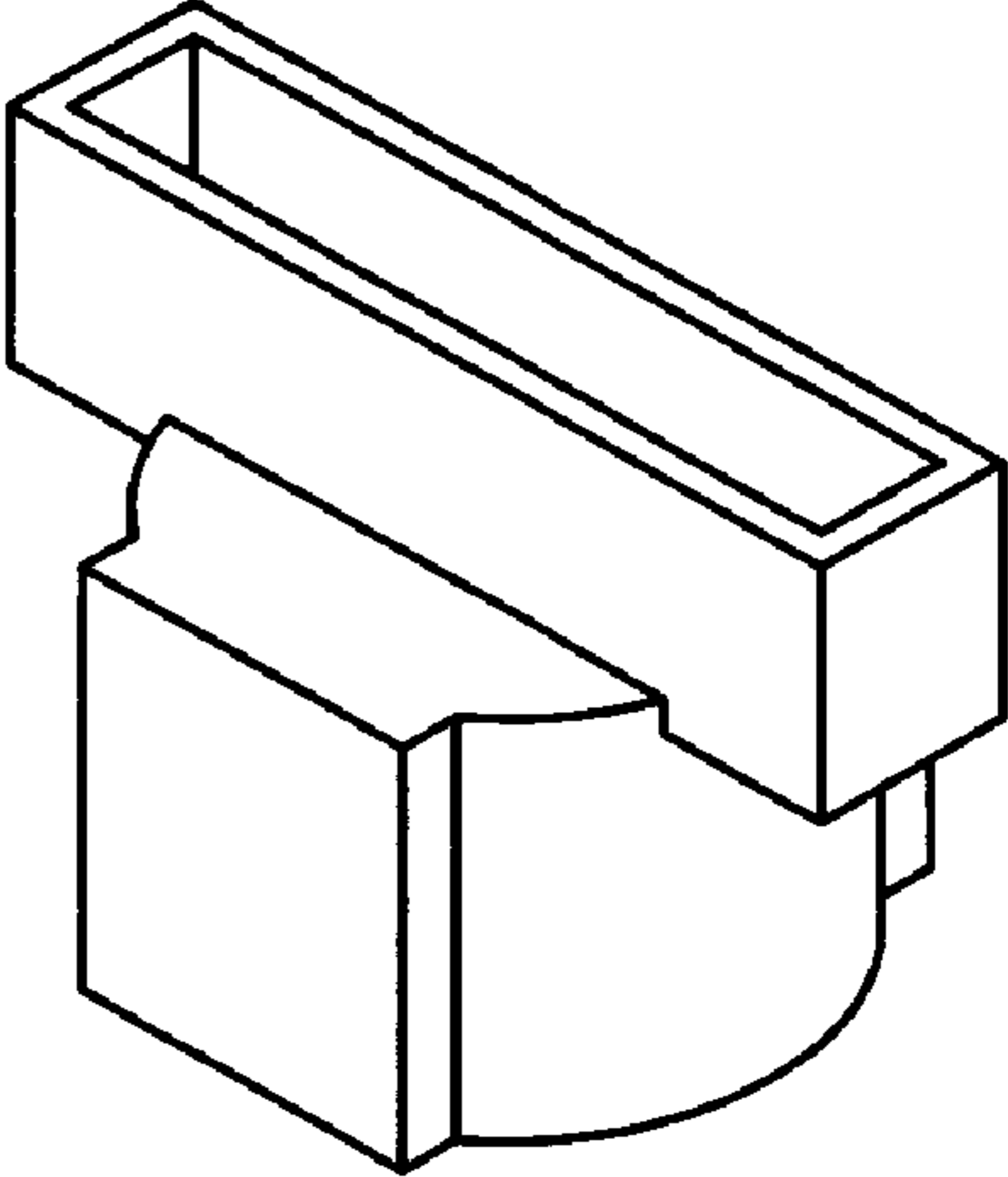


FIG 9