



US00D661981S

(12) **United States Design Patent**
Melino, Sr. et al.

(10) **Patent No.:** **US D661,981 S**
(45) **Date of Patent:** **** Jun. 19, 2012**

(54) **LOCKING UNIT FOR POLE ASSEMBLY**

(75) Inventors: **Charles Melino, Sr.**, Providence, RI
(US); **Charles Melino, Jr.**, Cranston, RI
(US)

(73) Assignee: **ToolLab, Inc.**, West Warwick, RI (US)

(**) Term: **14 Years**

(21) Appl. No.: **29/358,278**

(22) Filed: **Mar. 24, 2010**

(51) **LOC (9) Cl.** **08-08**

(52) **U.S. Cl.** **D8/396**

(58) **Field of Classification Search** D8/354,
D8/356, 371, 394-396; D19/65, 86; D24/128;
248/74.2, 215, 227.1, 49, 300, 301, 316.7,
248/51, 489; 24/570, 3.12; D3/203.2, 203.3;
D21/392

See application file for complete search history.

(56) **References Cited**

U.S. PATENT DOCUMENTS

5,479,836	A *	1/1996	Chang	74/551.1
6,948,878	B1 *	9/2005	Smith et al.	403/110
7,353,731	B2 *	4/2008	Lin	74/551.7
D577,423	S *	9/2008	Dole	D23/265
D580,262	S *	11/2008	Eason et al.	D8/396
D584,604	S *	1/2009	Baldwin	D8/396

7,487,787	B2 *	2/2009	Tung	135/21
2005/0049720	A1 *	3/2005	Benson	623/38
2009/0260665	A1 *	10/2009	Gridley	135/94
2010/0127472	A1 *	5/2010	Winefordner et al.	280/276
2010/0194162	A1 *	8/2010	Knopf	297/354.12

* cited by examiner

Primary Examiner — John Windmuller

(74) *Attorney, Agent, or Firm* — Steven N. Fox, Esq.

(57) **CLAIM**

The ornamental design for a locking unit for pole assembly, as shown and described.

DESCRIPTION

FIG. 1 is a perspective view of a locking unit for pole assembly showing our new design mounted on a lower pole and engaged with an upper pole;

FIG. 2 is a perspective view of the locking unit for pole assembly showing our new design;

FIG. 3 is a front perspective view thereof;

FIG. 4 is a rear perspective view thereof;

FIG. 5 is a top perspective view thereof;

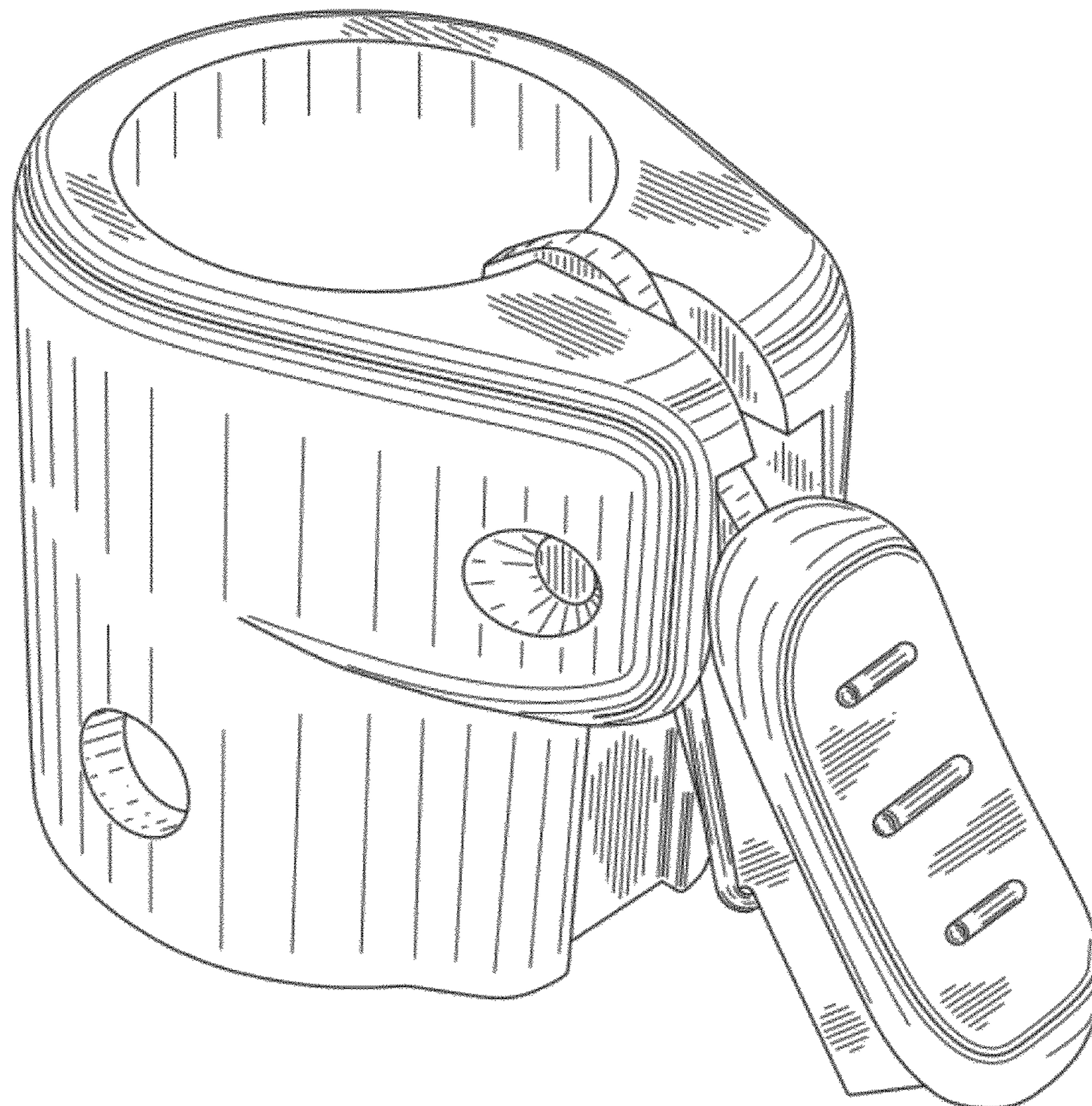
FIG. 6 is a bottom perspective view thereof;

FIG. 7 is a right side perspective view thereof; and,

FIG. 8 is a left side perspective view thereof.

The broken lines in the drawings illustrate environmental structure and form no part of the claimed design.

1 Claim, 5 Drawing Sheets



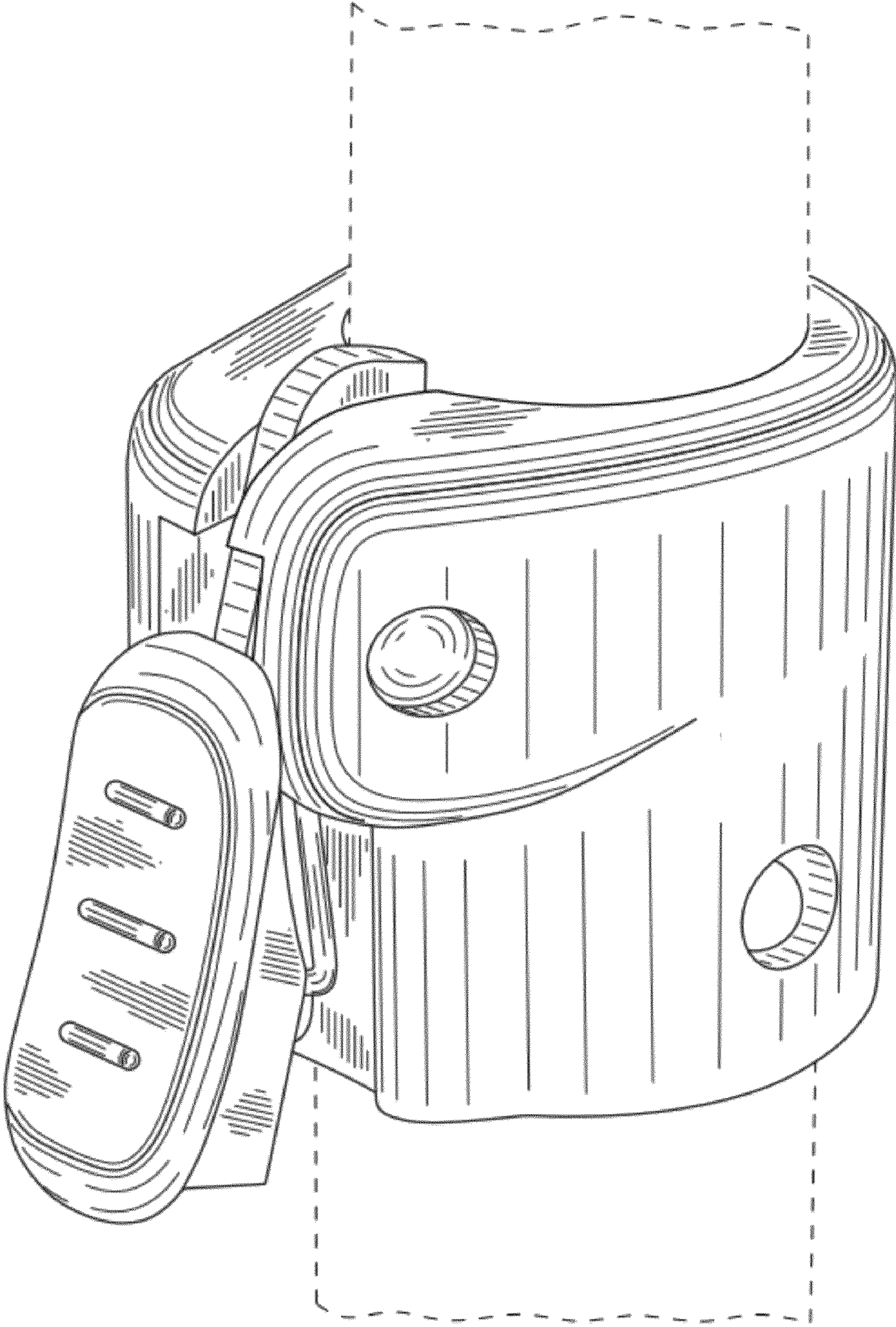


FIG. 1

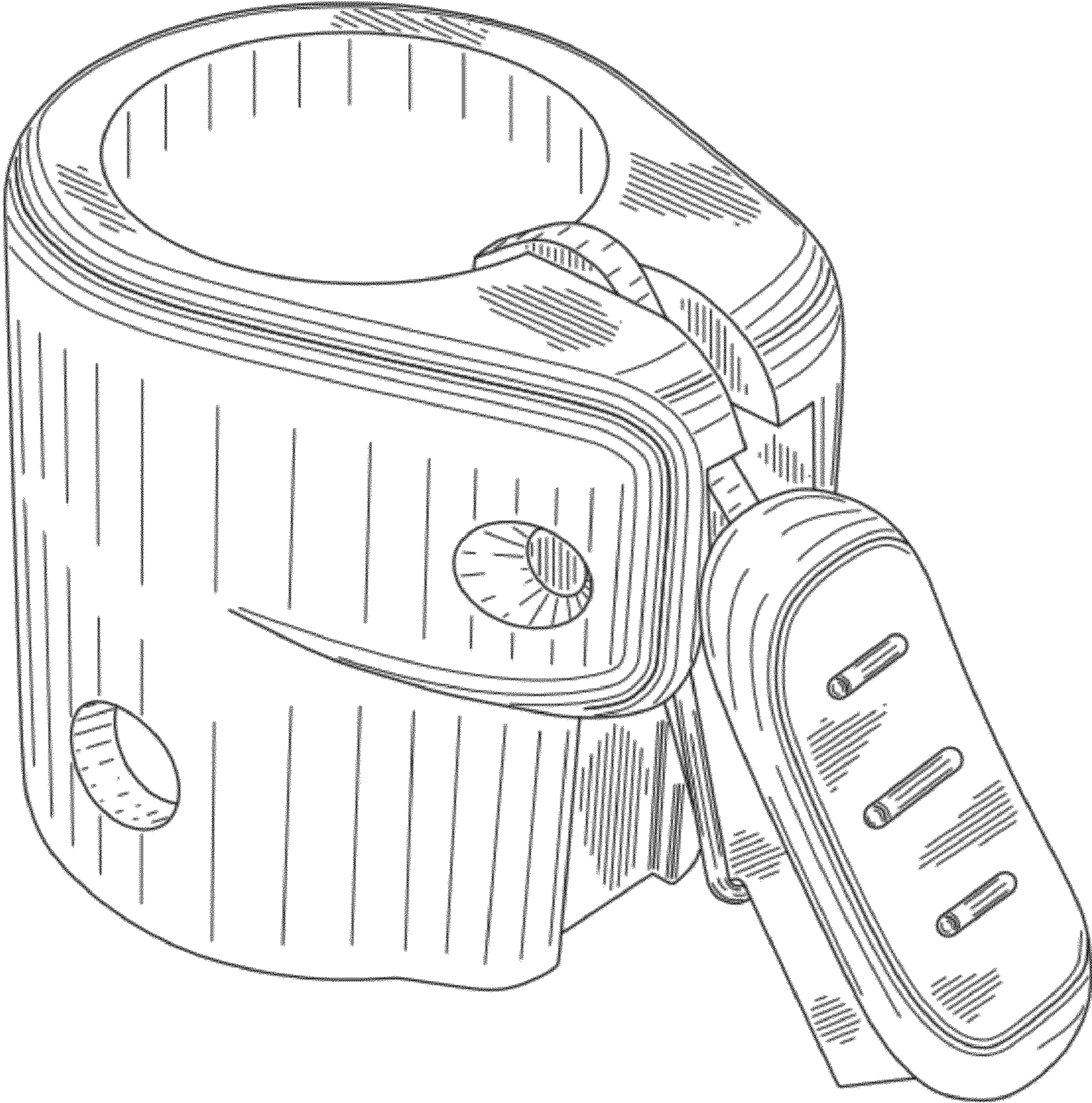


FIG. 2

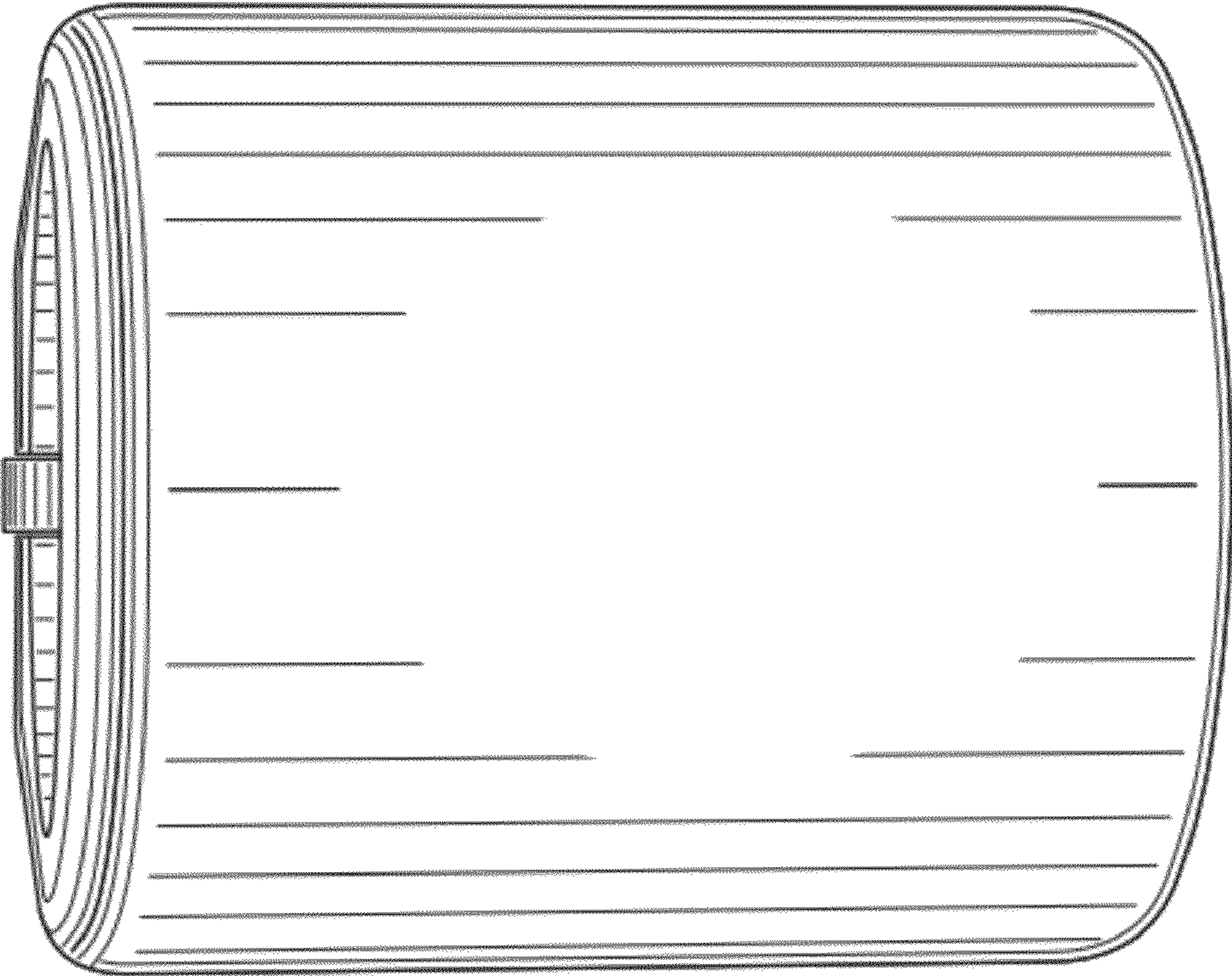


FIG. 4

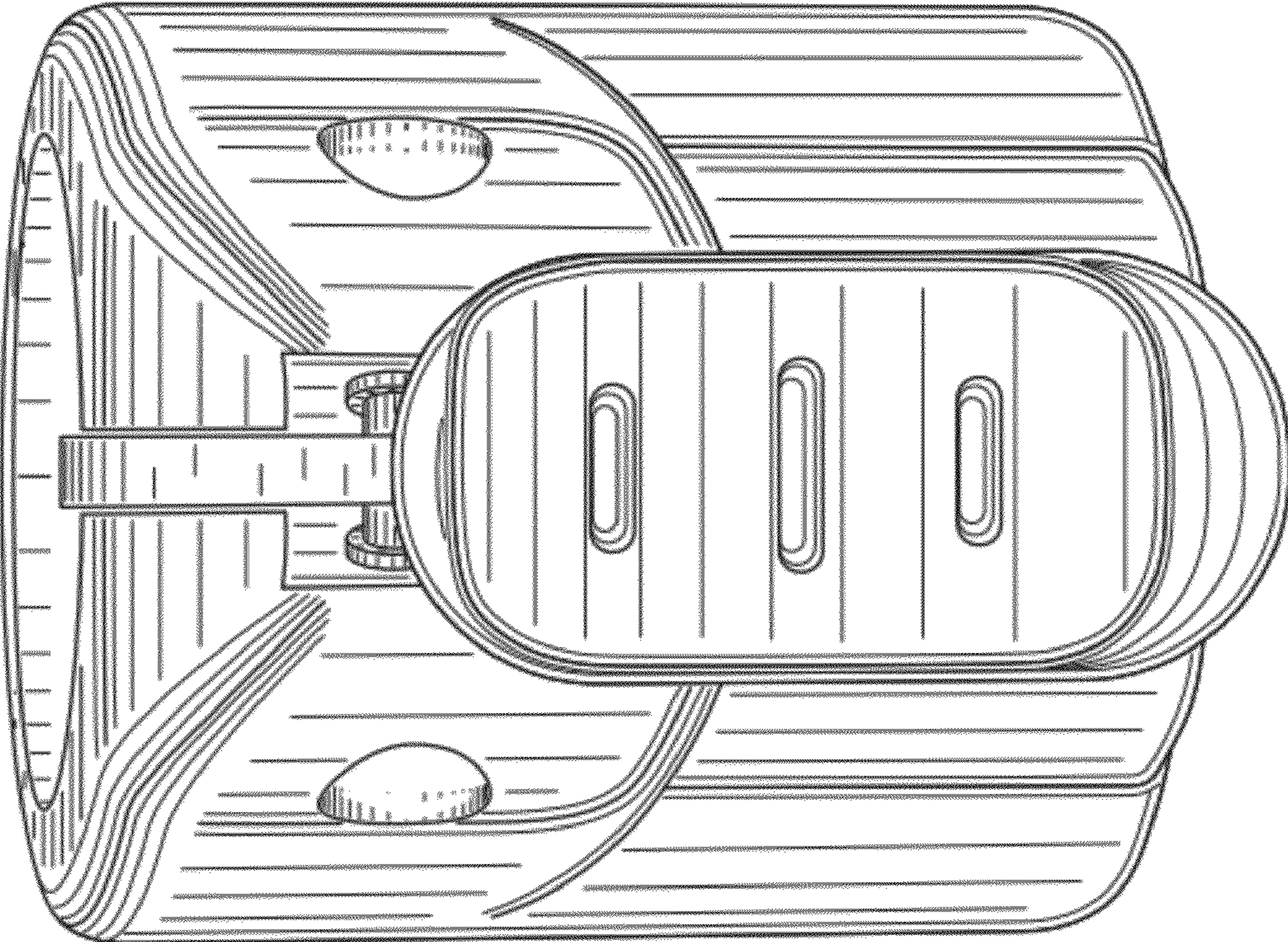


FIG. 3

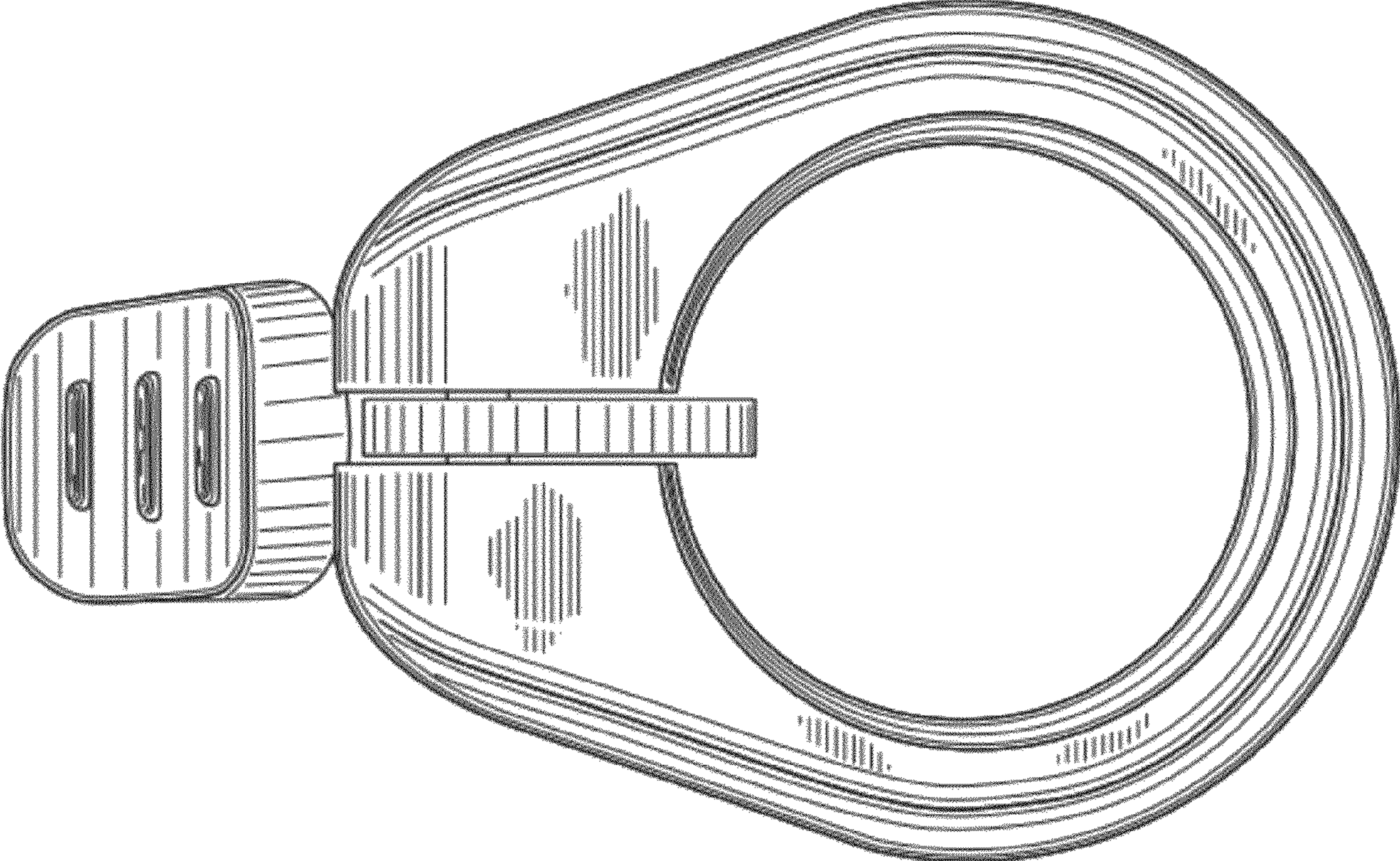


FIG. 5

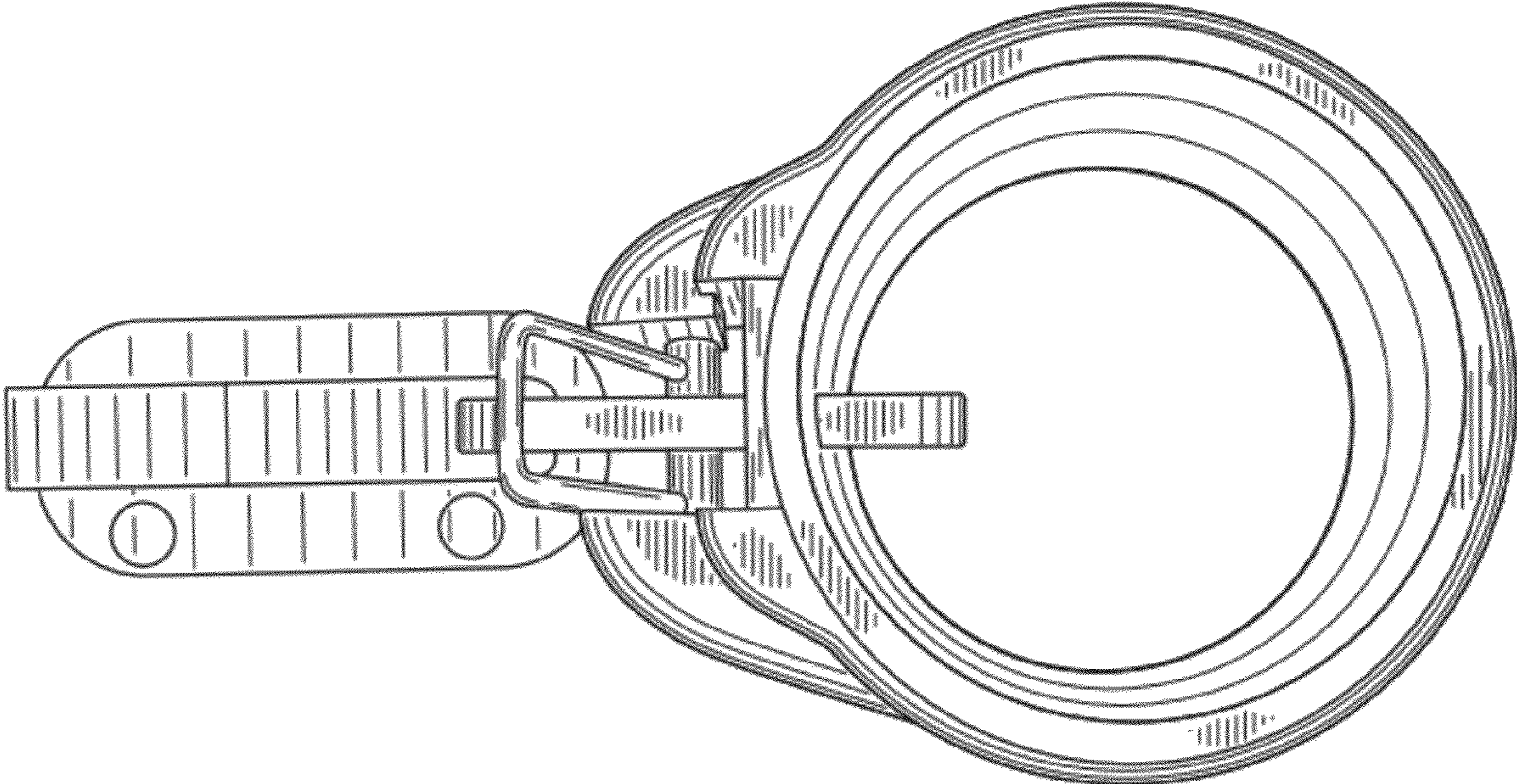


FIG. 6

FIG. 7

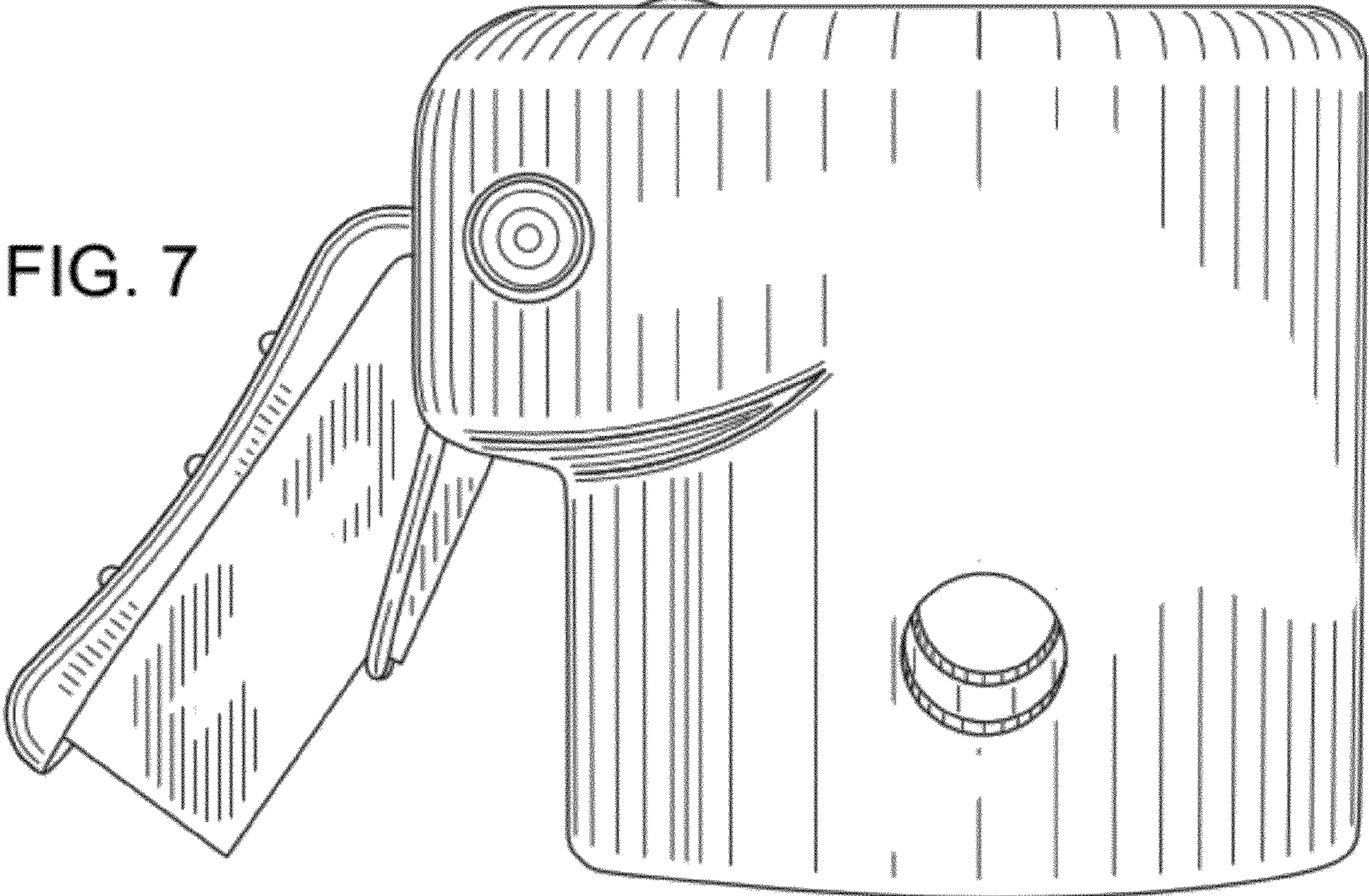


FIG. 8

