



US00D661980S

(12) **United States Design Patent**  
**Rocquet**

(10) **Patent No.:** **US D661,980 S**

(45) **Date of Patent:** **\*\* Jun. 19, 2012**

(54) **DEVICE FOR MOVING LOADS**

D517,401 S \* 3/2006 Carnevali ..... D8/374  
D548,577 S 8/2007 Shiffler et al.  
D589,783 S 4/2009 Eul

(75) Inventor: **Gerard Rocquet**, Saint Chinian (FR)

**FOREIGN PATENT DOCUMENTS**

(73) Assignee: **Installations Magasins Gerard Rocquet**, Saint Chinian (FR)

FR 2763925 5/1997

\* cited by examiner

(\*\*) Term: **14 Years**

*Primary Examiner* — Holly Baynham

(21) Appl. No.: **29/385,016**

(74) *Attorney, Agent, or Firm* — Andrew W. Chu; Craft Chu PLLC

(22) Filed: **Feb. 8, 2011**

(57) **CLAIM**

(51) **LOC (9) Cl.** ..... **03-01**

The ornamental design for a device for moving loads, as shown and described.

(52) **U.S. Cl.** ..... **D8/374**

**DESCRIPTION**

(58) **Field of Classification Search** ..... D8/374;

248/346.01, 346.11, 188.2

See application file for complete search history.

FIG. 1 is an upper perspective view of the device for moving loads showing my design.

FIG. 2 is a top plan view thereof;

FIG. 3 is a bottom plan view thereof;

FIG. 4 is a front elevation view thereof,

FIG. 5 is a back elevation view thereof;

FIG. 6 is a side elevation view thereof; and,

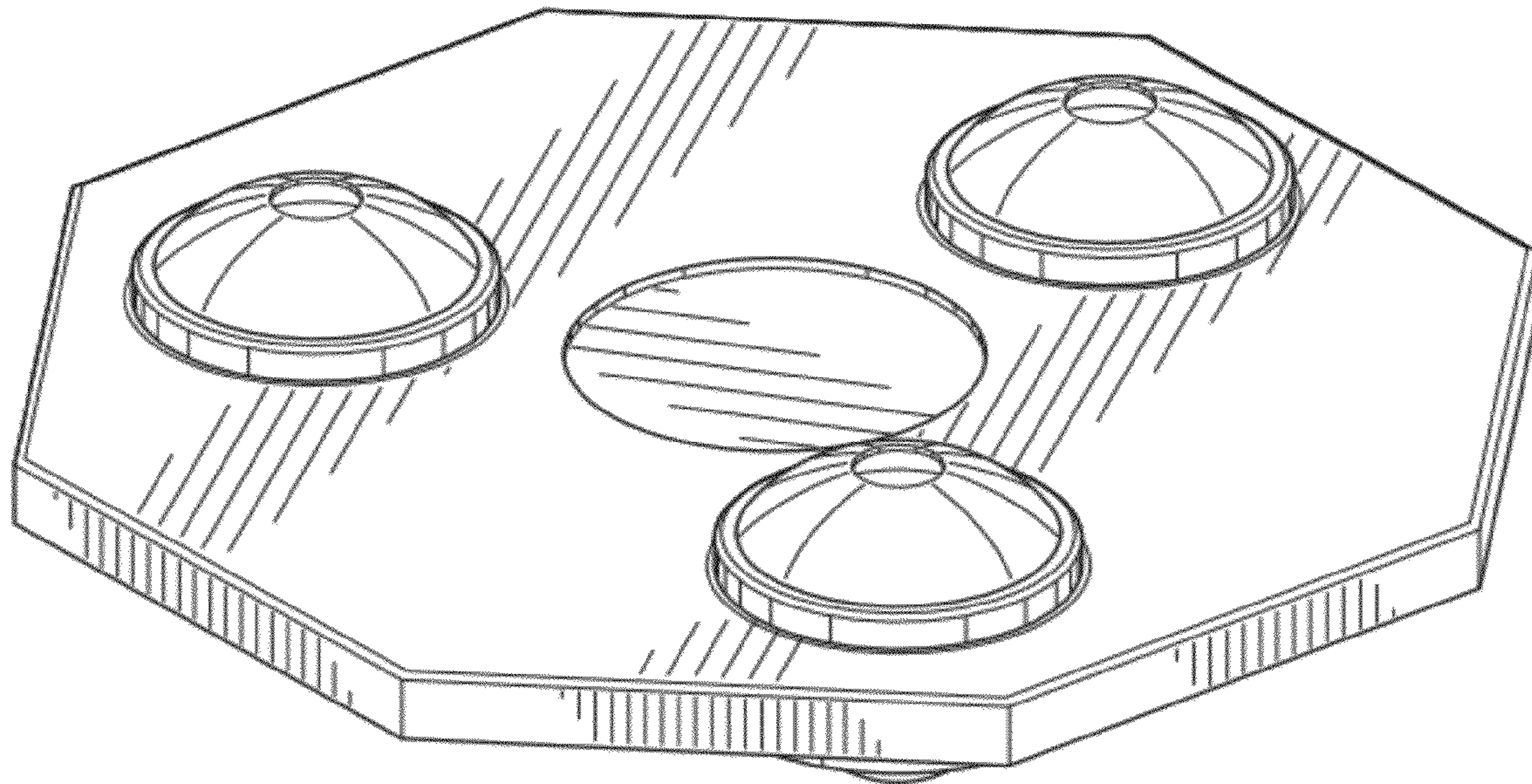
FIG. 7 is an opposite side view thereof.

(56) **References Cited**

**U.S. PATENT DOCUMENTS**

D371,958 S \* 7/1996 Keaton ..... D8/374  
D383,377 S \* 9/1997 Sellers ..... D8/374  
D396,255 S \* 7/1998 Kotler ..... D21/710  
D486,726 S 2/2004 Bushey

**1 Claim, 3 Drawing Sheets**



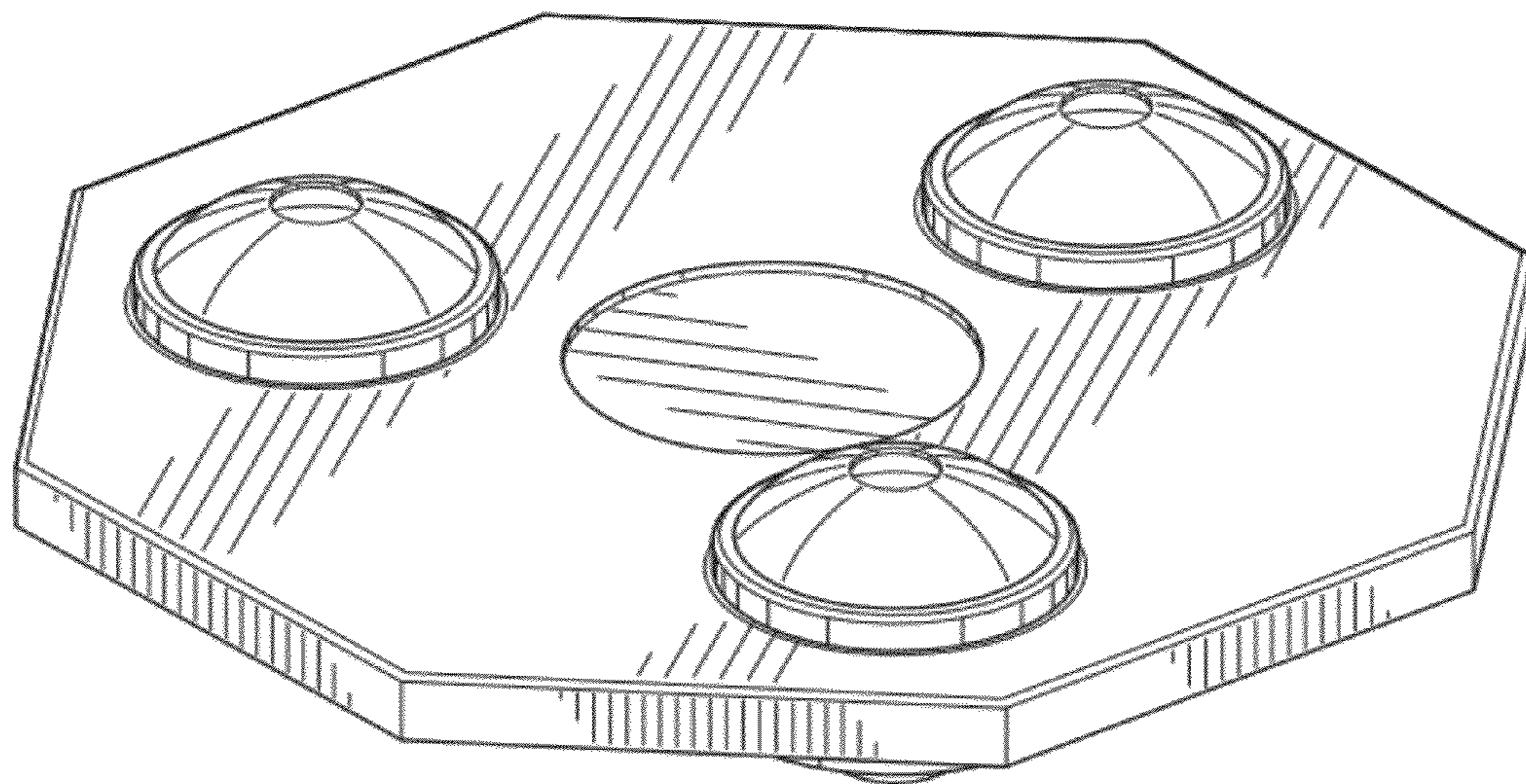


FIG. 1

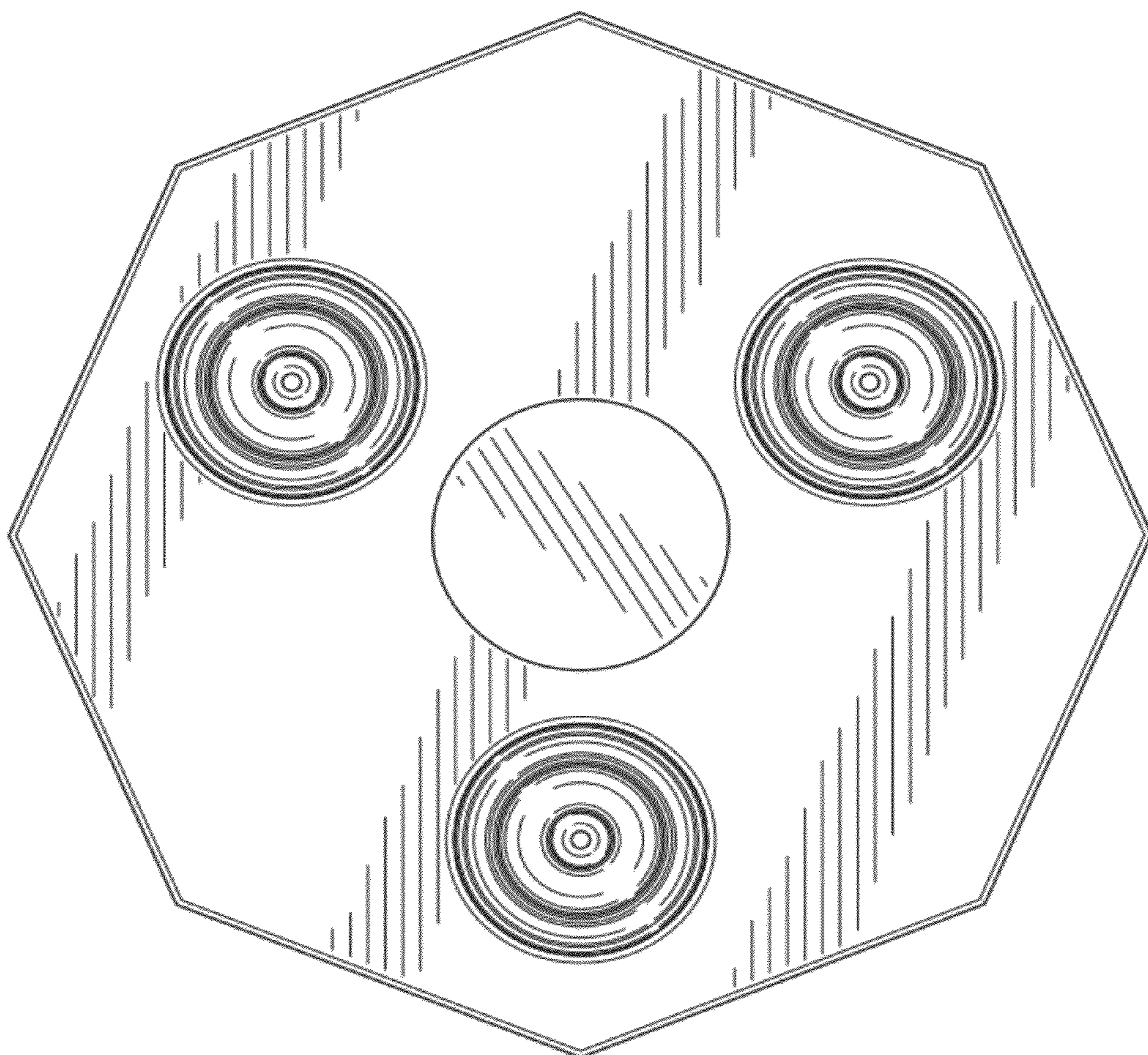
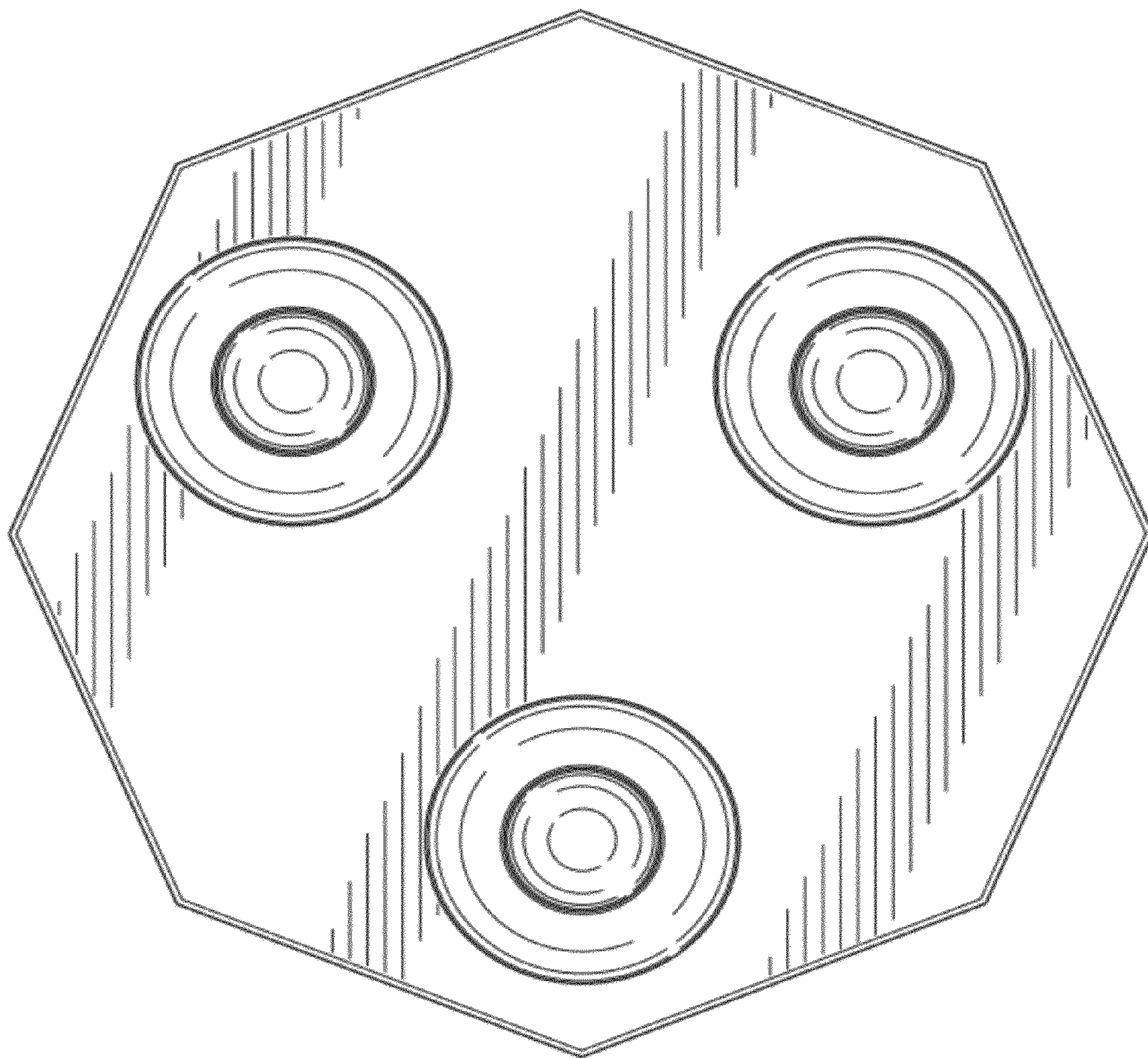
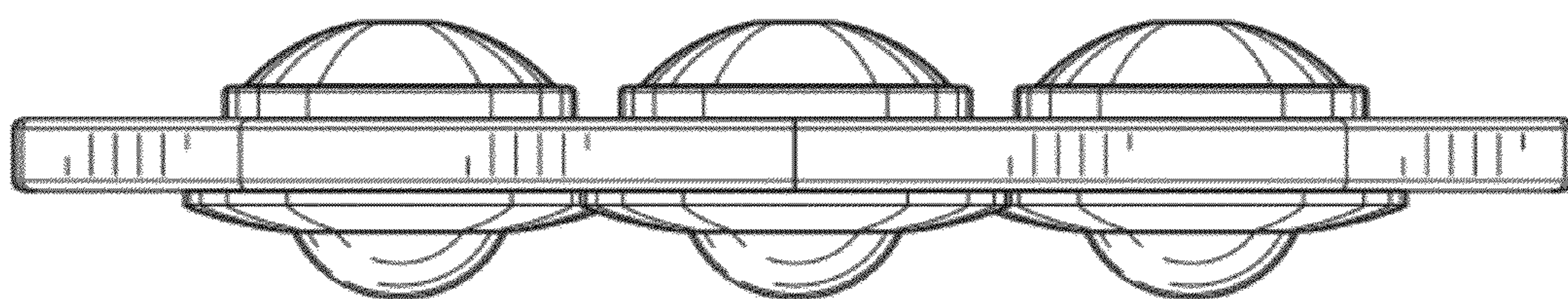


FIG. 2



*FIG. 3*



*FIG. 4*

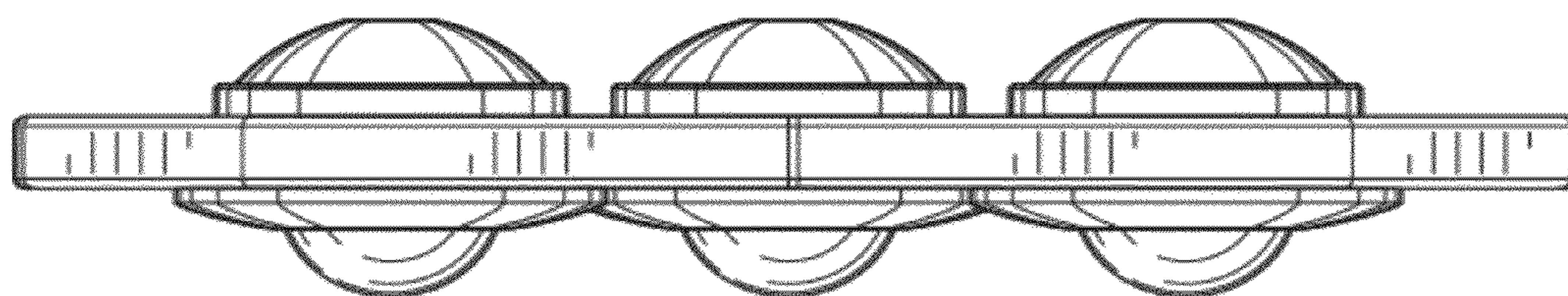


FIG. 5

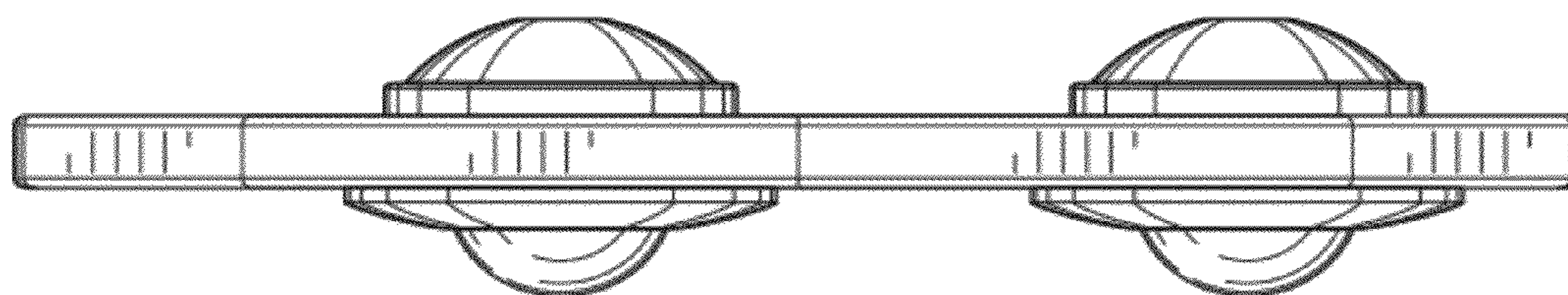


FIG. 6

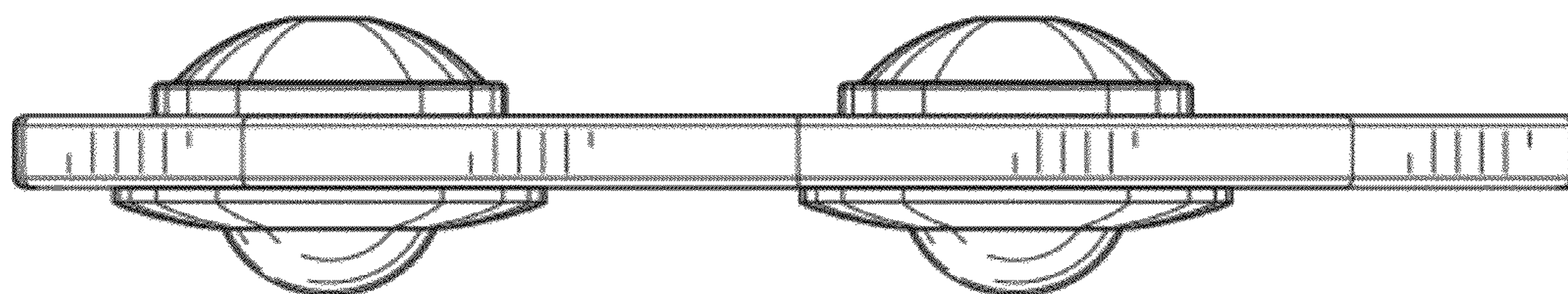


FIG. 7