

US00D661979S

(12) **United States Design Patent**
Schwenkenberg

(10) **Patent No.:** **US D661,979 S**

(45) **Date of Patent:** **** Jun. 19, 2012**

(54) **HOLDER FOR LIQUID DISPENSERS**

Primary Examiner — Holly Baynham

(74) *Attorney, Agent, or Firm* — Volpe and Koenig, P.C.

(75) Inventor: **Horst Schwenkenberg**, Halstenbek
(DE)

(73) Assignee: **CSD Cosmetic-Systems Development
uGmbH**, Hamburg (DE)

(57) **CLAIM**

The design for a holder for liquid dispensers, as shown and described.

(**) Term: **14 Years**

(21) Appl. No.: **29/394,653**

DESCRIPTION

(22) Filed: **Jun. 20, 2011**

(30) **Foreign Application Priority Data**

Dec. 23, 2010 (WO) 579891601

(51) **LOC (9) Cl.** **08-05**

(52) **U.S. Cl.** **D8/373**

(58) **Field of Classification Search** D8/373,
D8/363; 248/300, 309.1

See application file for complete search history.

FIG. 1 is a left, front perspective view of a holder for liquid dispensers in accordance with my design;
FIG. 2 is a front elevational view thereof;
FIG. 3 is a rear elevational view thereof;
FIG. 4 is a left side elevational view thereof;
FIG. 5 is a top plan view thereof;
FIG. 6 is a bottom view thereof;
FIG. 7 is an environmental, left, front perspective view thereof;
FIG. 8 is a rear elevational view thereof;
FIG. 9 is a front elevational view thereof; and,
FIG. 10 is a left side elevational view thereof.
The broken lines showing a liquid dispenser is for the purposes of illustrating environment and forms no part of the claimed design.

(56) **References Cited**

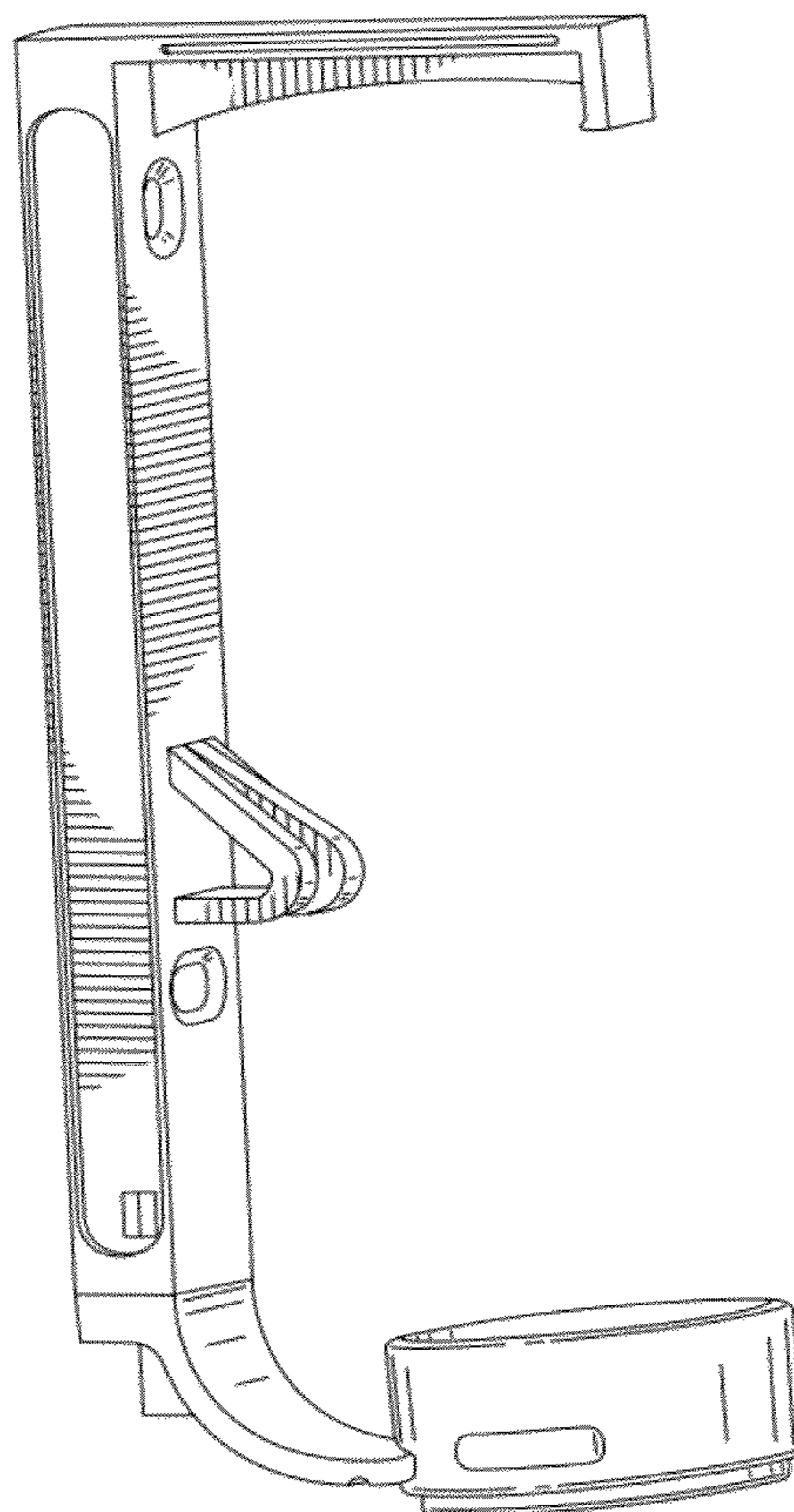
U.S. PATENT DOCUMENTS

D173,720 S * 12/1954 Carver D6/503

D522,848 S * 6/2006 Nawrocki D8/381

* cited by examiner

1 Claim, 9 Drawing Sheets



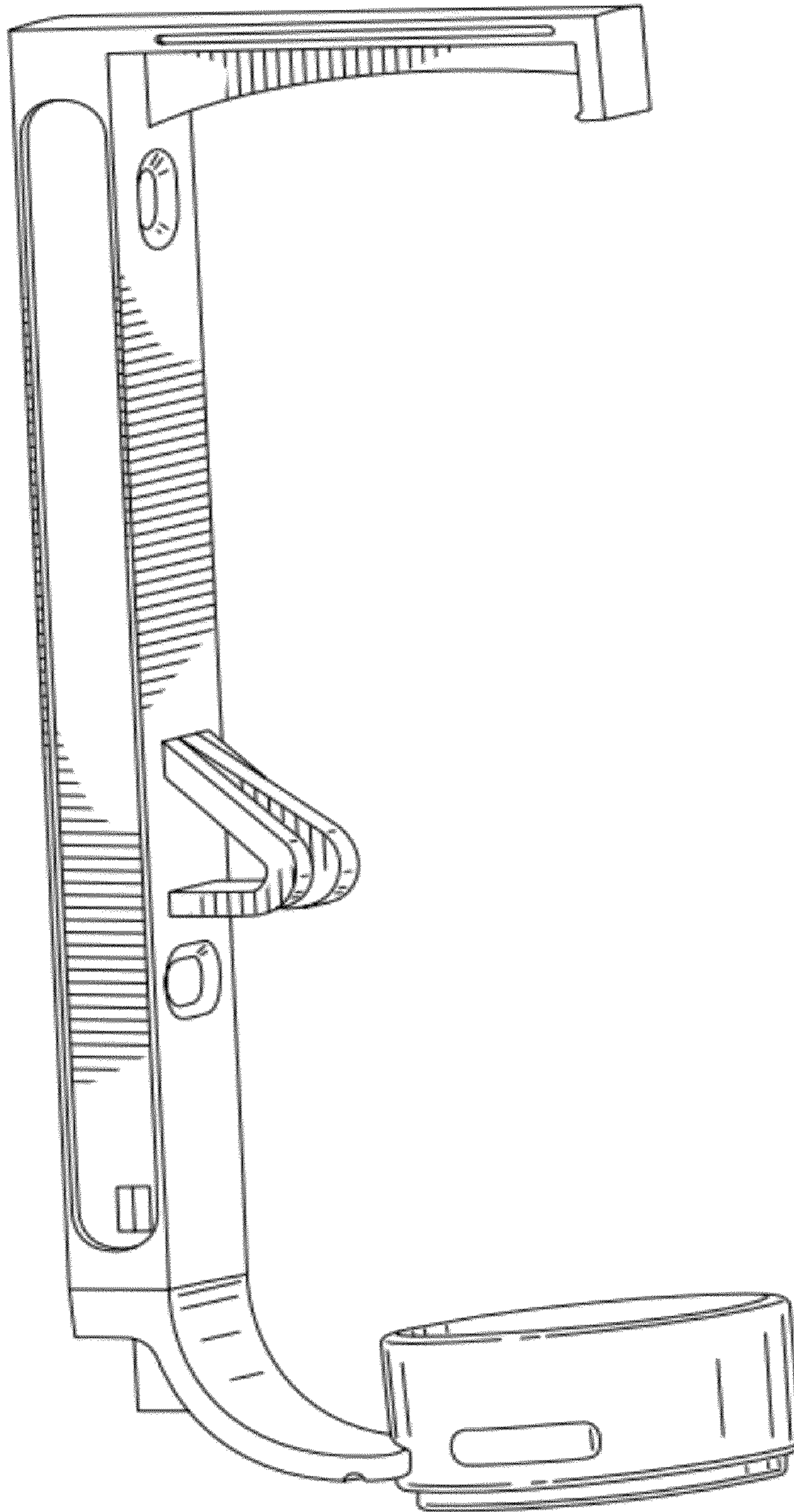


FIG. 1

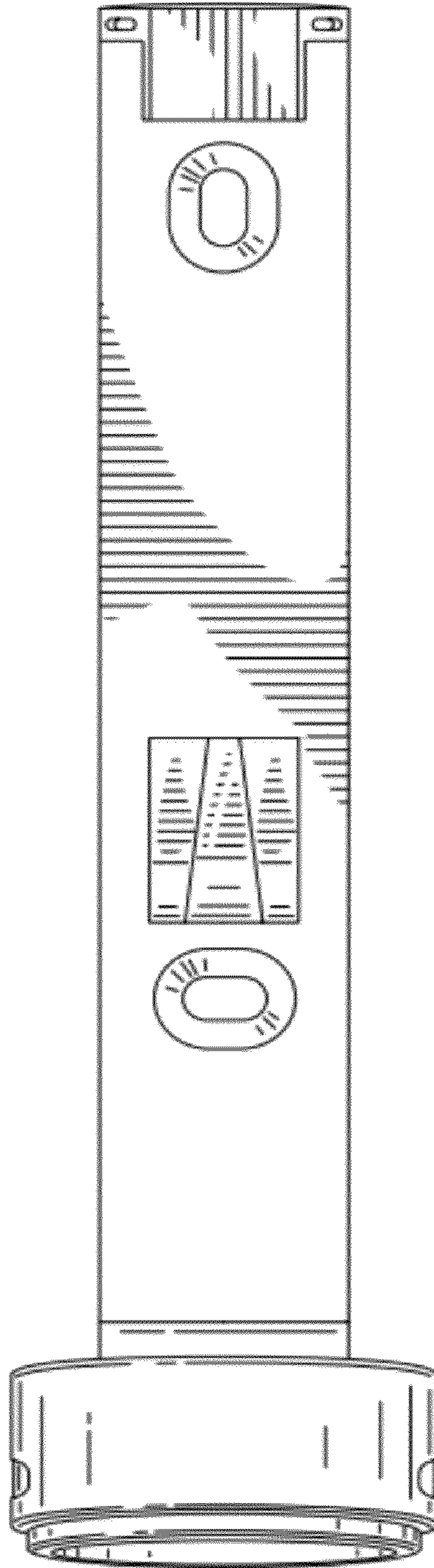


FIG. 2

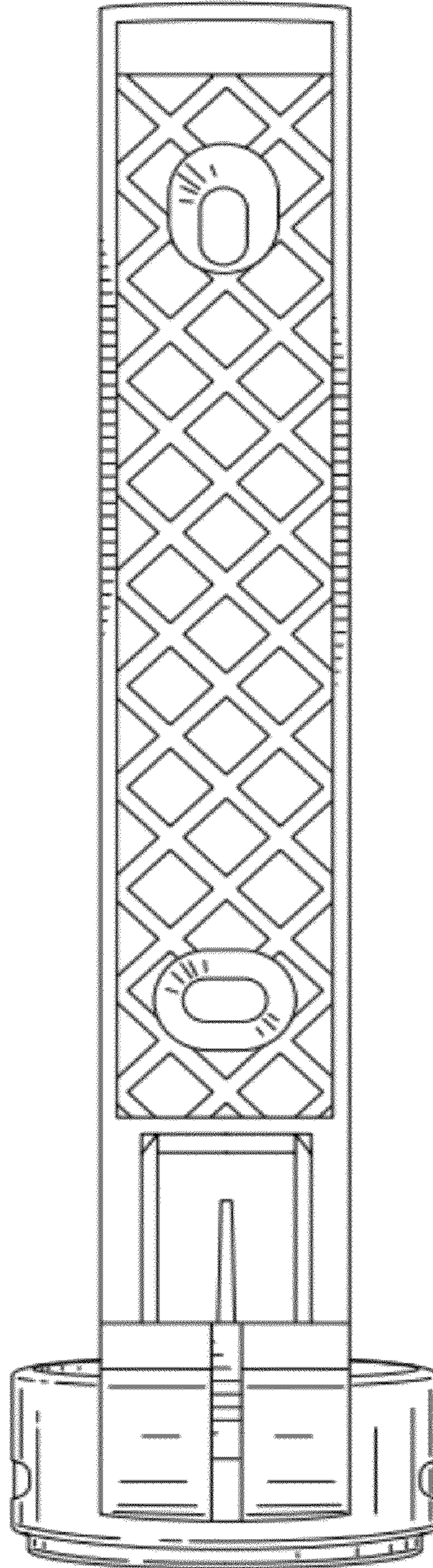


FIG. 3

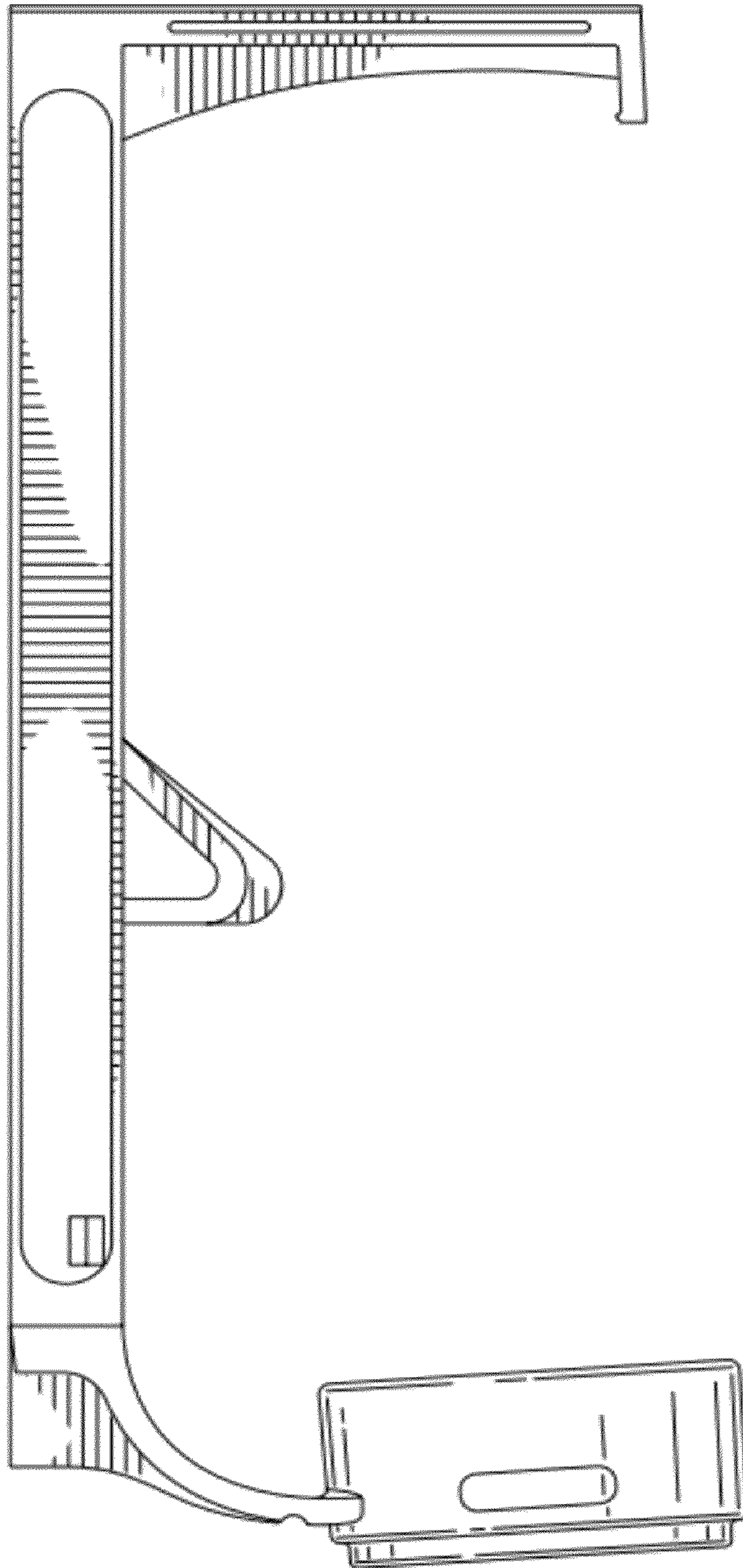


FIG. 4

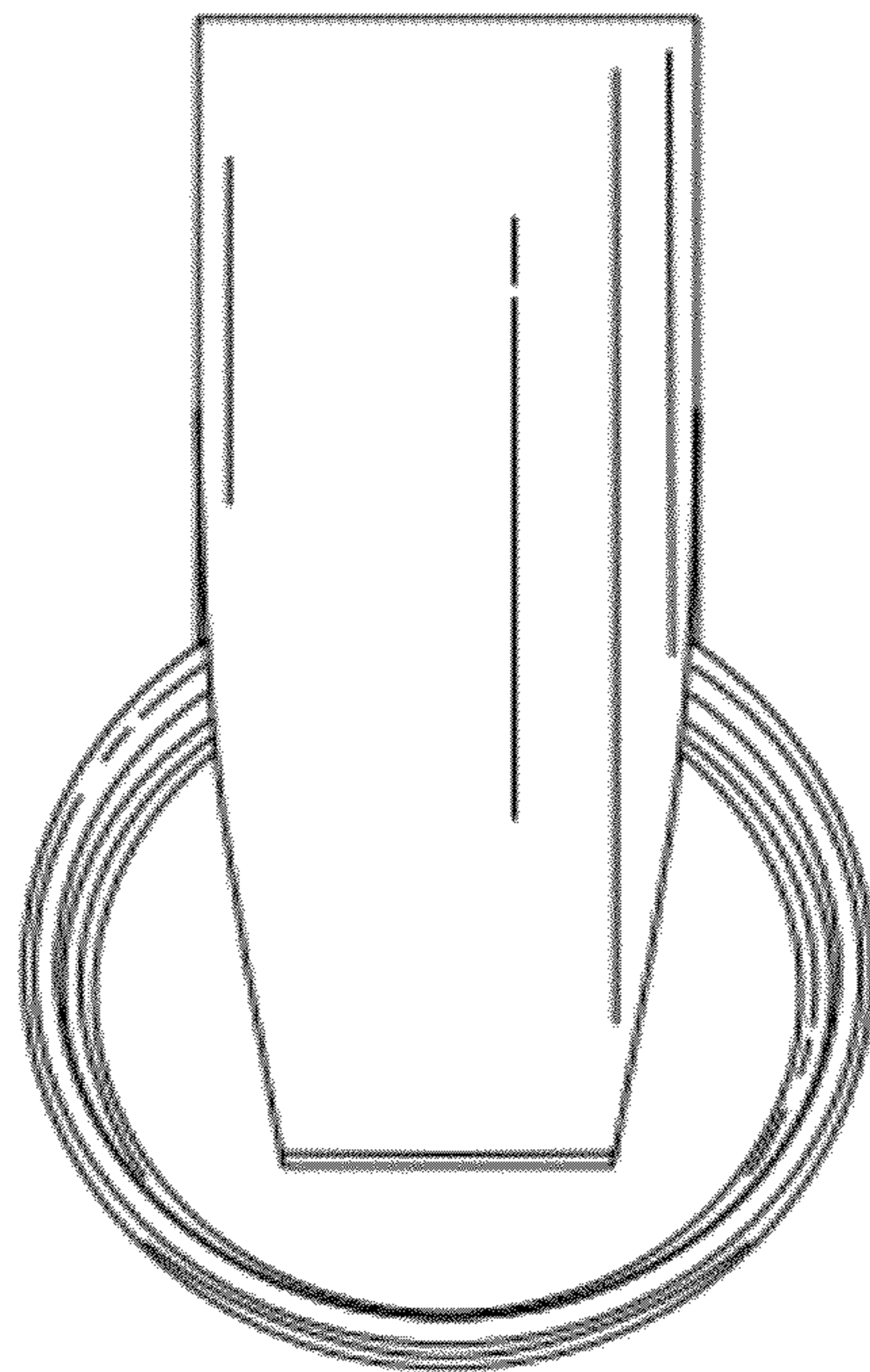


FIG. 5

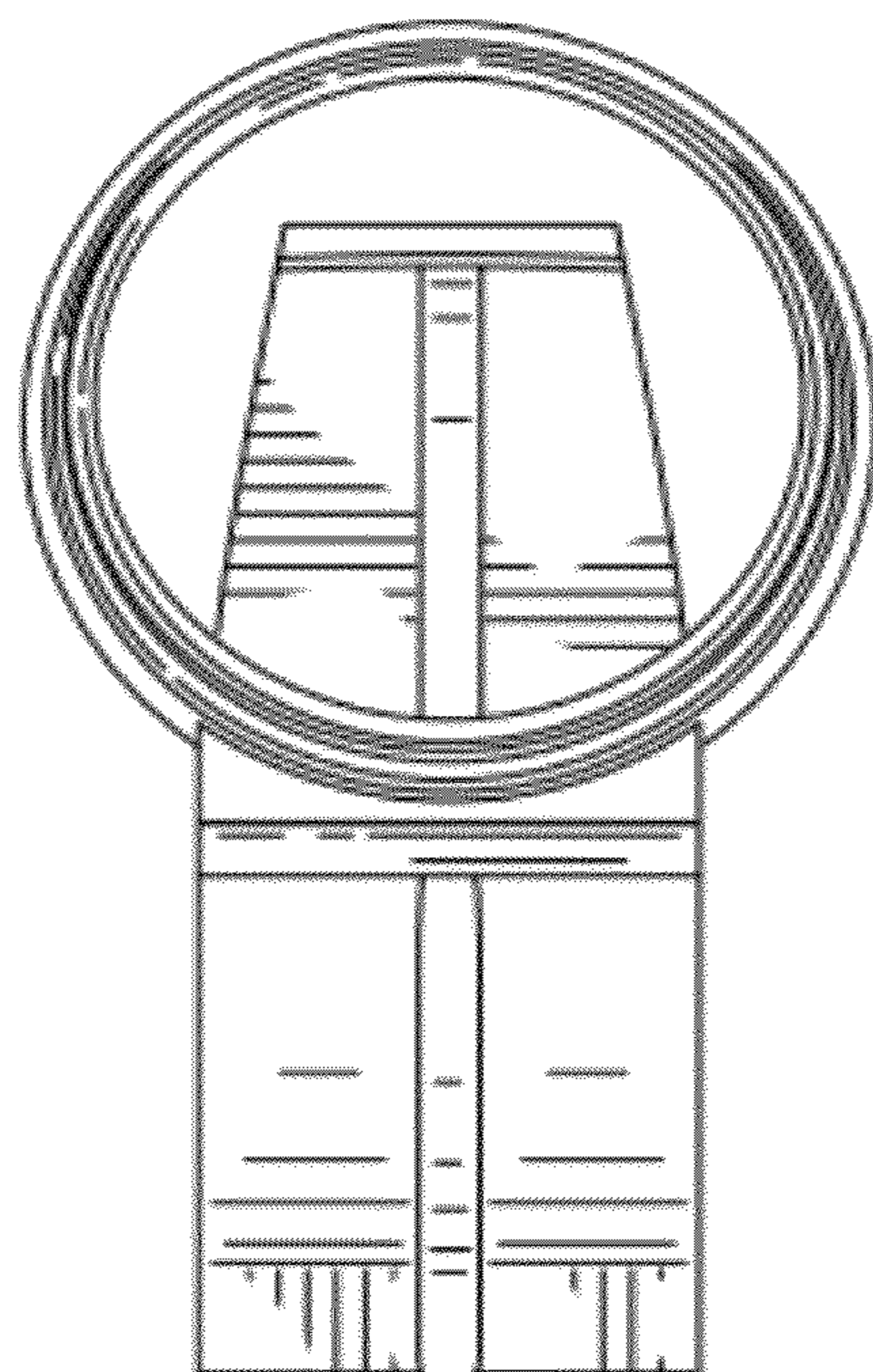


FIG. 6

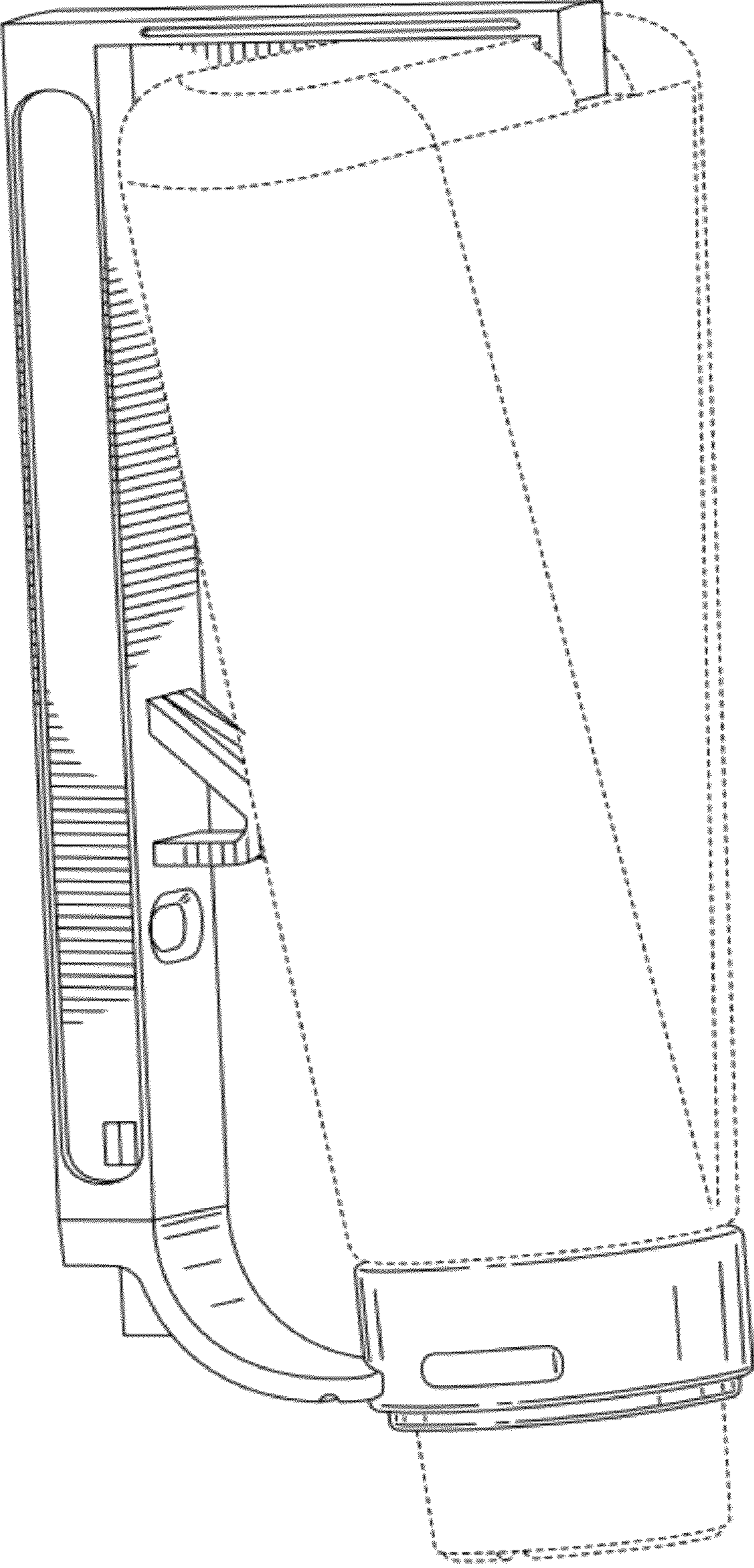


FIG. 7

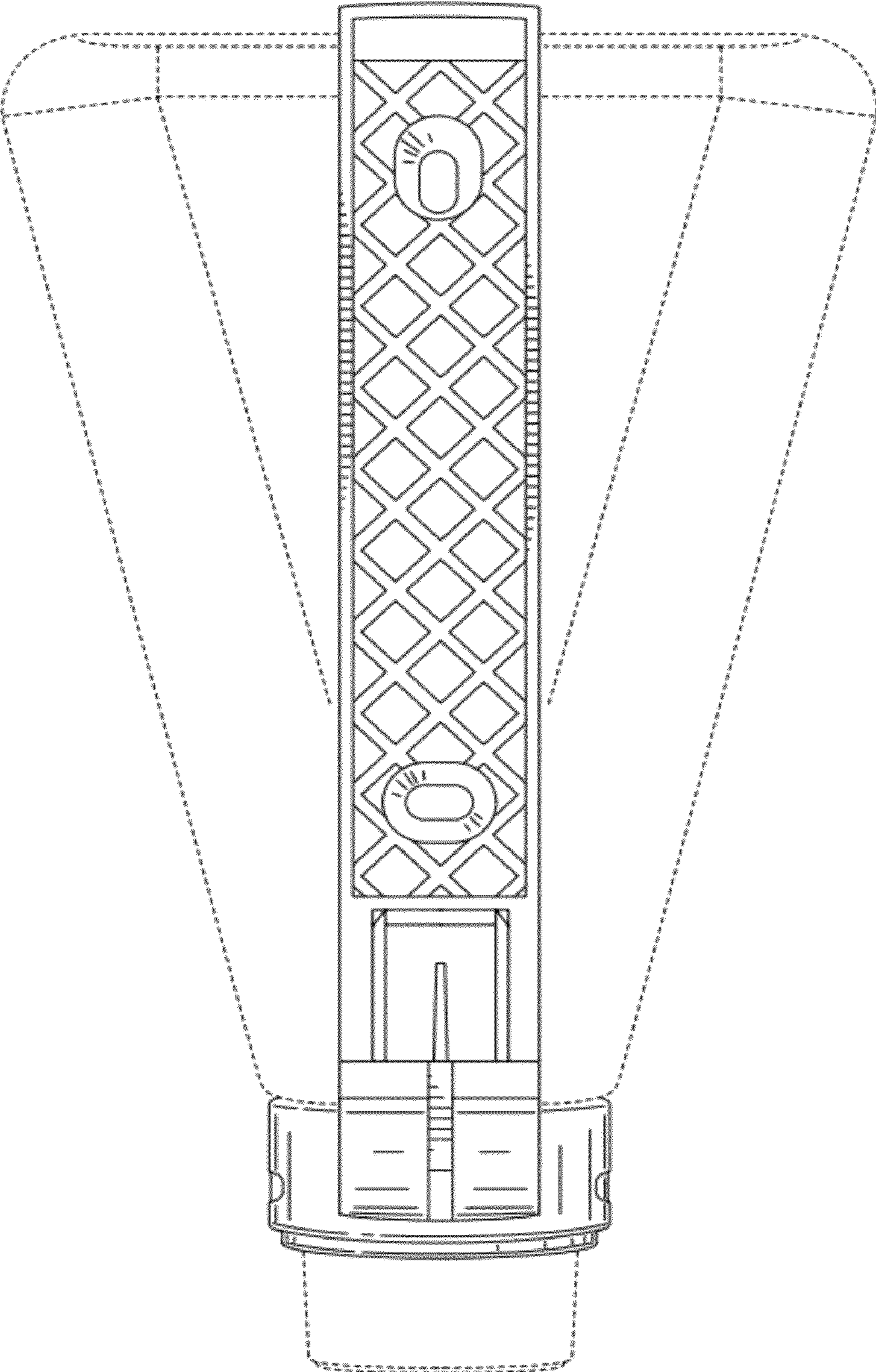


FIG. 8

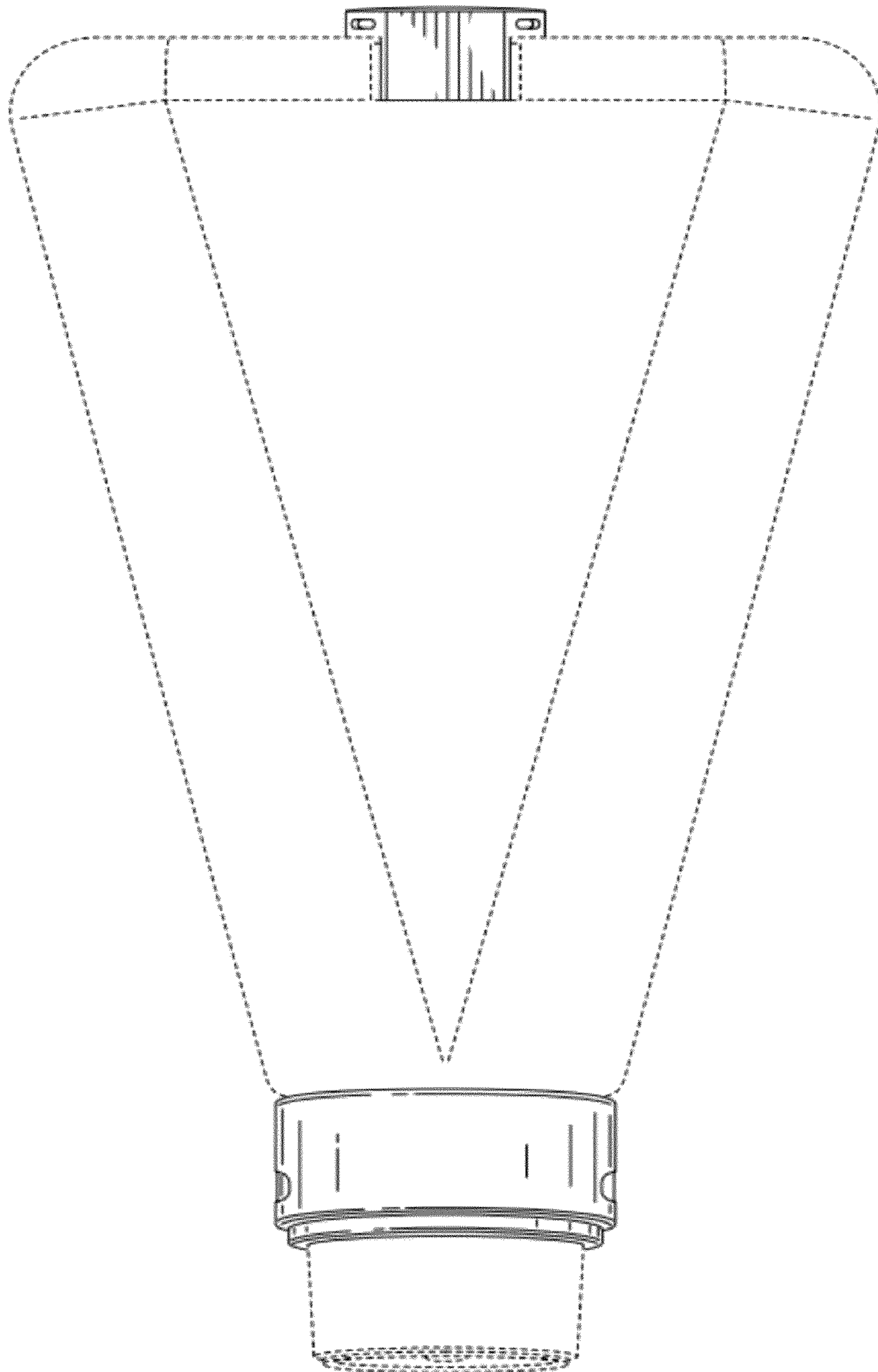


FIG. 9

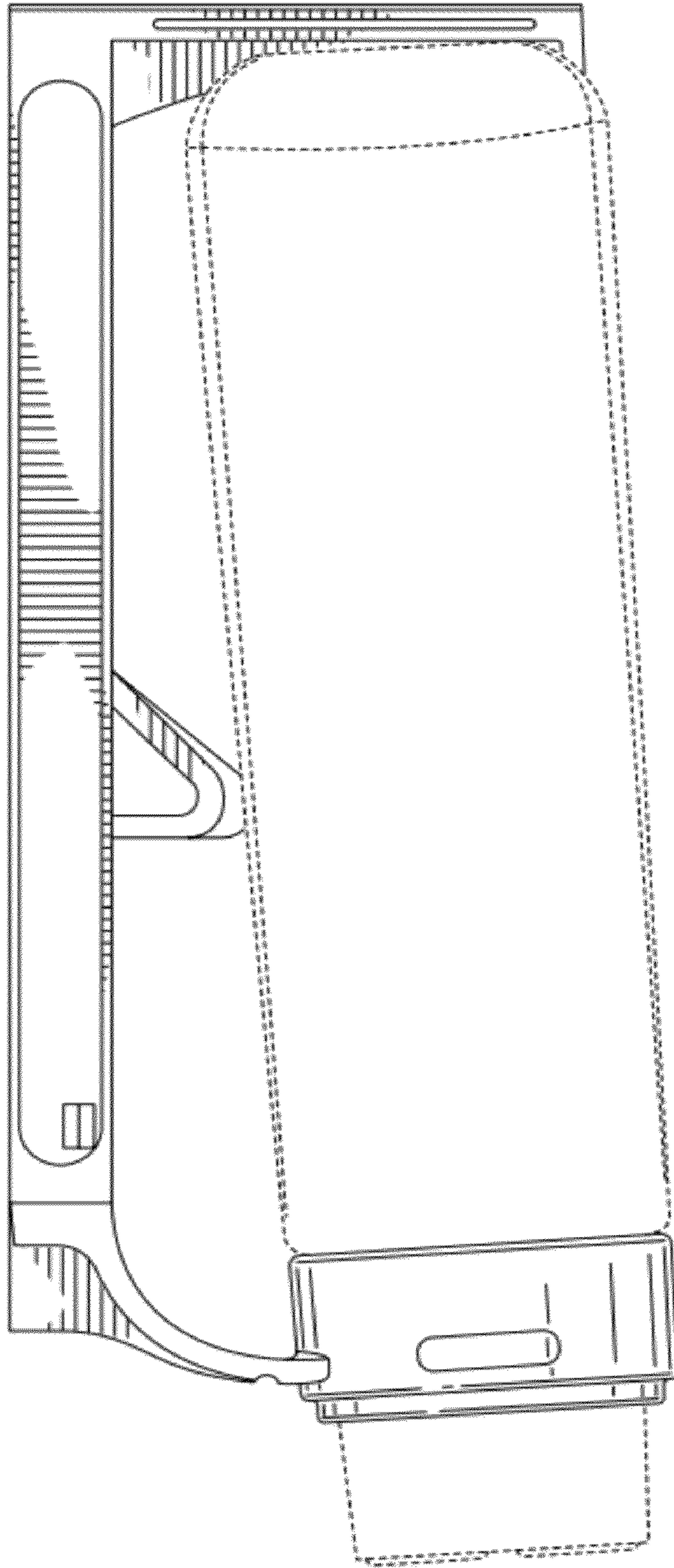


FIG. 10