

US00D661977S

(12) **United States Design Patent**
Donnelly et al.

(10) **Patent No.:** **US D661,977 S**
(45) **Date of Patent:** **** Jun. 19, 2012**

(54) **HOSE REEL ENCLOSURE**

(75) Inventors: **Brian C. Donnelly**, Naperville, IL (US);
Robert G. Kopp, Elburn, IL (US);
Michael R. Vogler, Oswego, IL (US);
Stephen Whitehead, Elgin, IL (US)

(73) Assignee: **Suncast Technologies, LLC**, Palm
Beach Gardens, FL (US)

(**) Term: **14 Years**

(21) Appl. No.: **29/384,774**

(22) Filed: **Feb. 3, 2011**

(51) **LOC (9) Cl.** **08-05**

(52) **U.S. Cl.** **D8/358**

(58) **Field of Classification Search** D8/356,
D8/358, 359; 137/355.26, 355.27; 242/397.5,
242/389, 390, 390.1, 395, 398, 405; D7/540;
D21/800; D34/14-19, 24, 25; D10/72

See application file for complete search history.

(56) **References Cited**

U.S. PATENT DOCUMENTS

D551,061 S * 9/2007 English et al. D8/359
D561,010 S * 2/2008 Anderson et al. D8/358
D636,253 S * 4/2011 Hatcher et al. D8/356

* cited by examiner

Primary Examiner — Susan Bennett Hattan

Assistant Examiner — Barbara B Lohr

(74) *Attorney, Agent, or Firm* — McHale & Slavin, P.A.

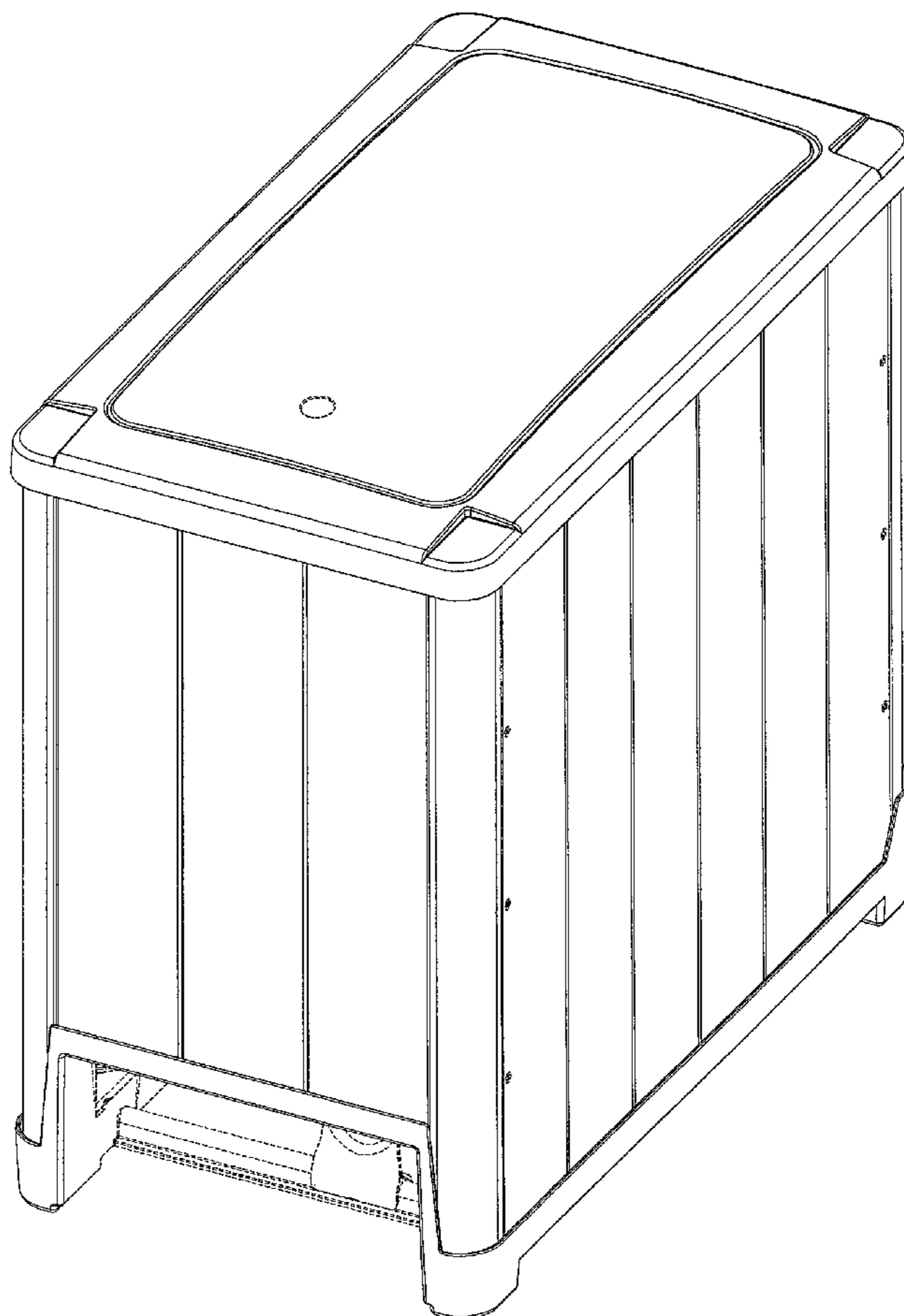
(57) **CLAIM**

The ornamental design for a hose reel enclosure, as shown and described.

DESCRIPTION

FIG. 1 is a front perspective view of the hose reel enclosure; FIG. 2 is a rear perspective view thereof; FIG. 3 is a front view thereof; FIG. 4 is a rear view thereof; FIG. 5 is a top view thereof; FIG. 6 is a right side view thereof; and, FIG. 7 is a left side view thereof. The portions of the Figures illustrated in broken lines depict environmental subject matter only and form no part of the claimed design.

1 Claim, 7 Drawing Sheets



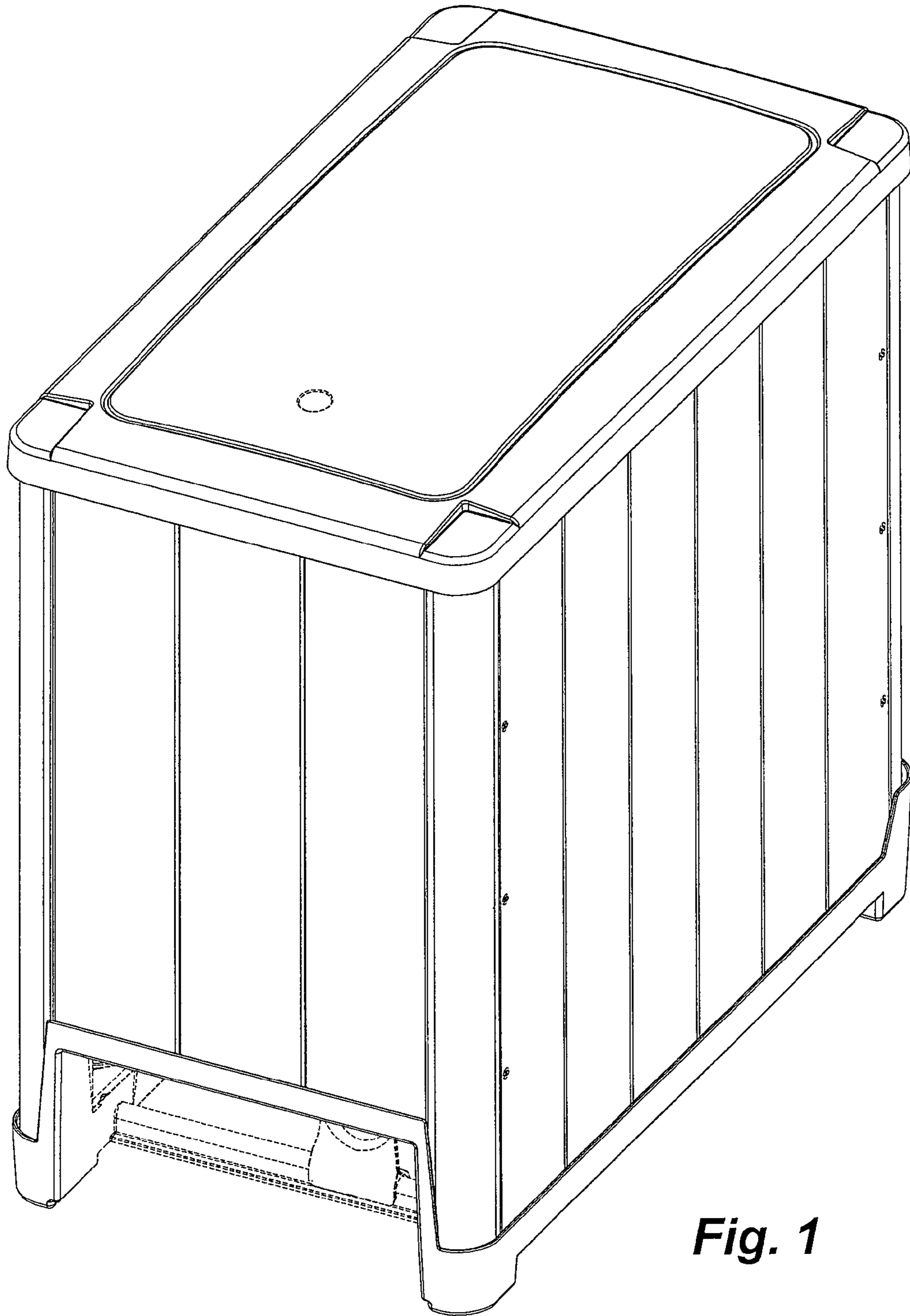


Fig. 1

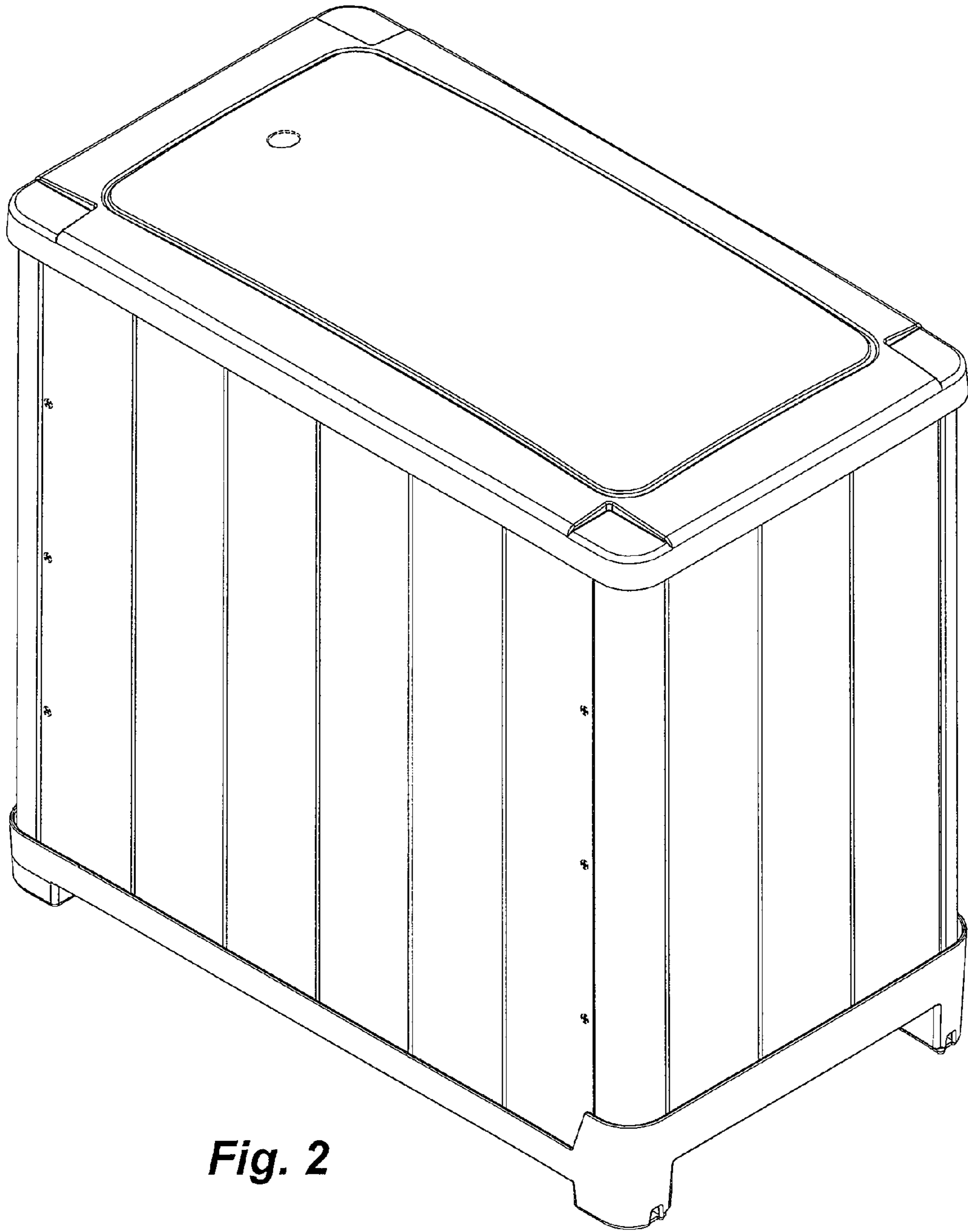


Fig. 2

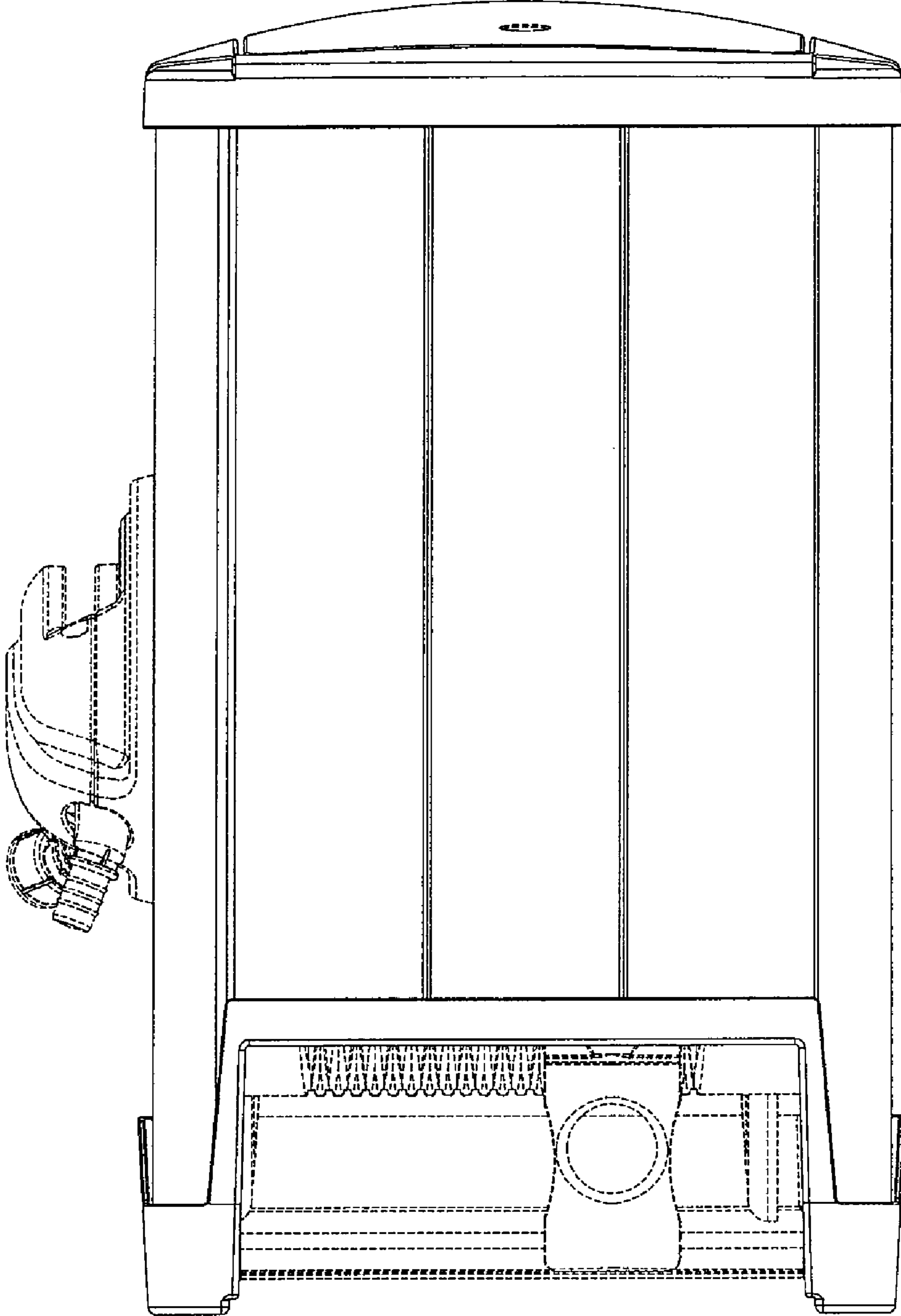


Fig. 3

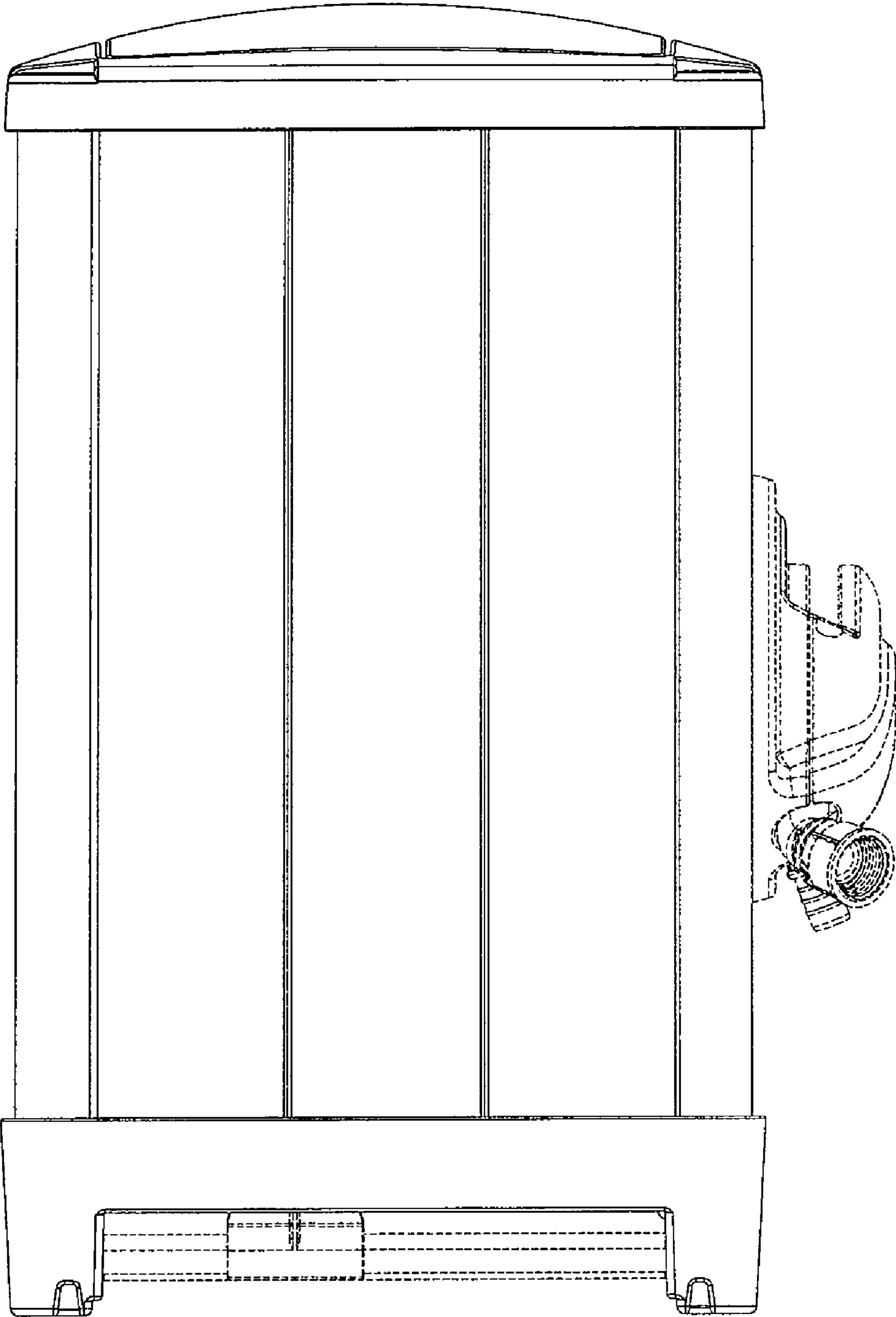


Fig. 4

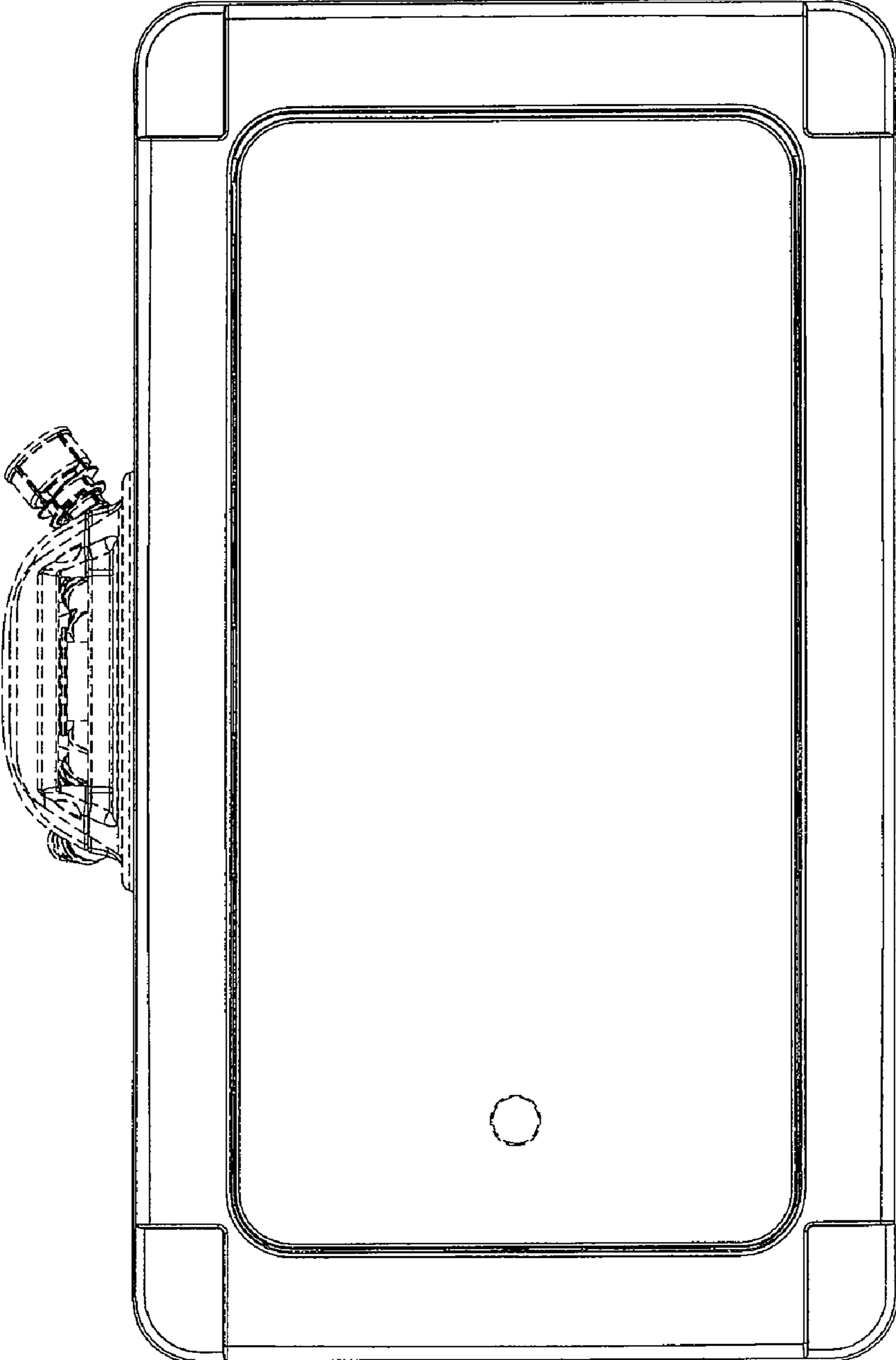


Fig. 5

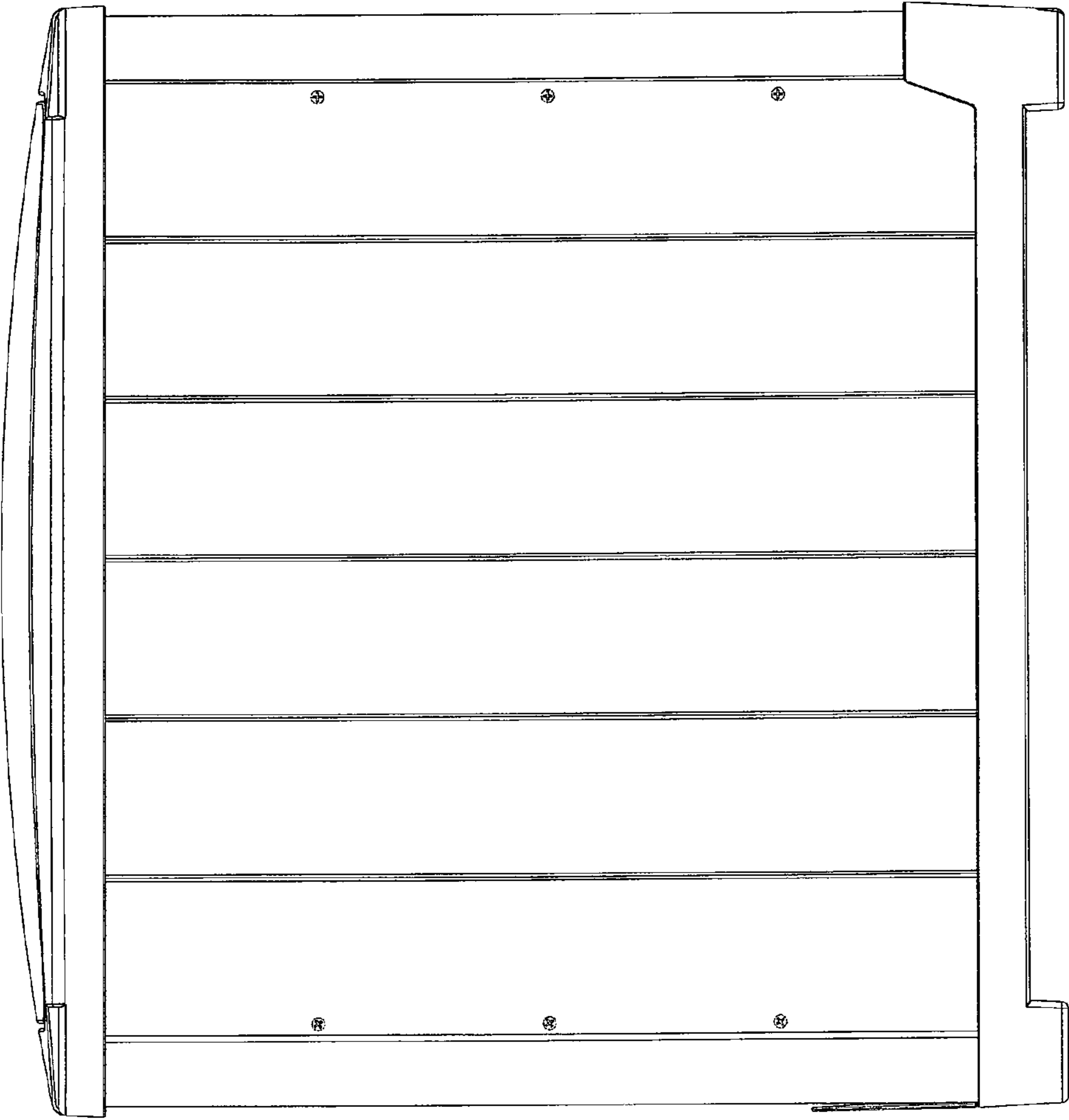


Fig. 6

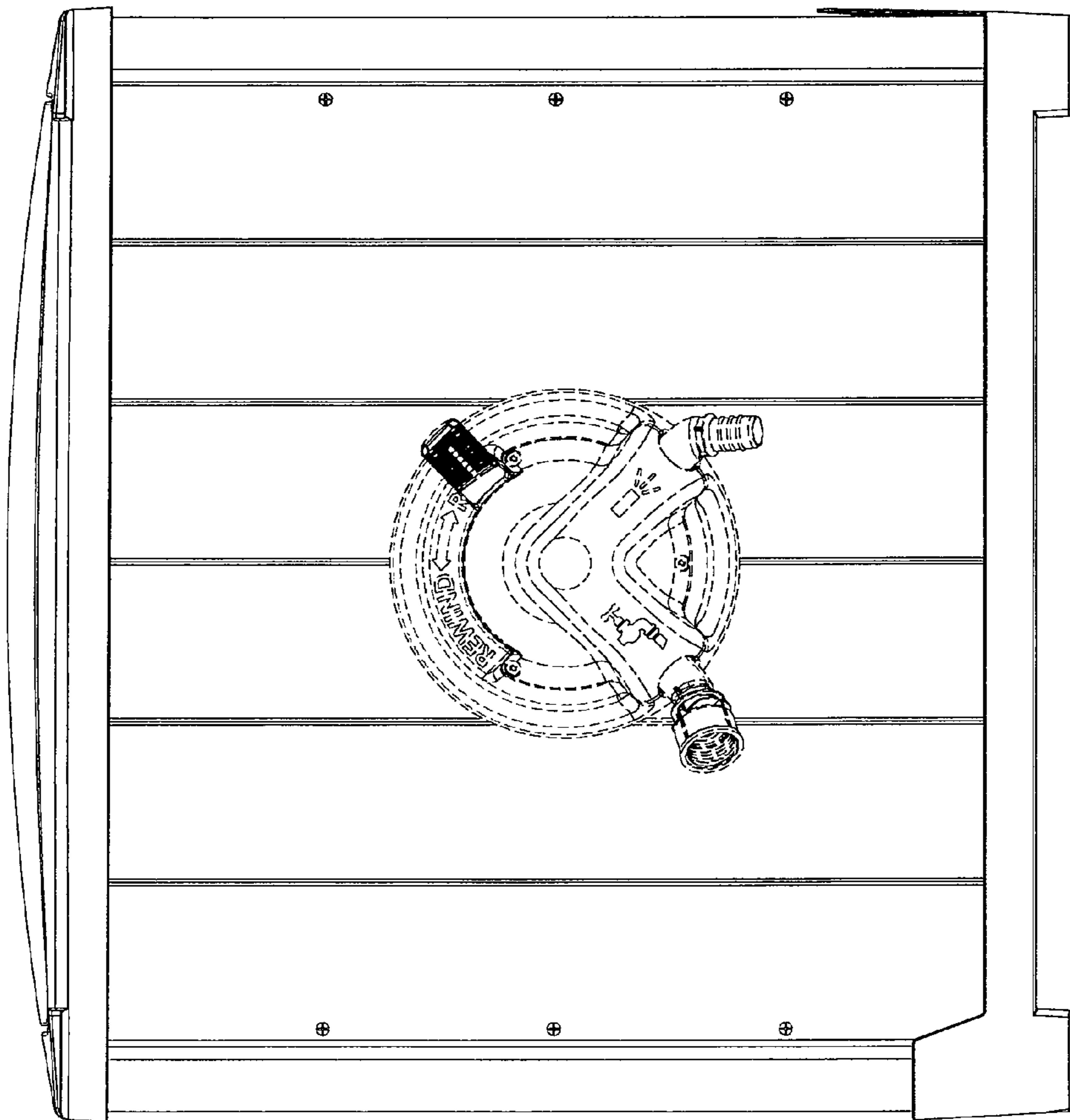


Fig. 7