



US00D661976S

(12) **United States Design Patent**
Richter

(10) **Patent No.:** **US D661,976 S**

(45) **Date of Patent:** **** *Jun. 19, 2012**

(54) **BRIDGE FOR SUCTION MOUNT SYSTEM**

(75) Inventor: **Gary L. Richter**, Reno, NV (US)

(73) Assignee: **Panavise Products, Inc.**, Reno, NV (US)

(*) Notice: This patent is subject to a terminal disclaimer.

(**) Term: **14 Years**

(21) Appl. No.: **29/357,575**

(22) Filed: **Mar. 13, 2010**

(51) **LOC (9) Cl.** **08-05**

(52) **U.S. Cl.** **D8/354**

(58) **Field of Classification Search** D8/349,
D8/354; D14/447; 16/406; 269/21, 95;
248/206.1, 205.6, 205.4; 52/235
See application file for complete search history.

(56) **References Cited**

U.S. PATENT DOCUMENTS

2,328,778	A *	9/1943	Bollinger et al.	198/710
3,086,404	A *	4/1963	Krekeler	474/223
3,586,393	A *	6/1971	Myers	305/160
4,297,839	A *	11/1981	Gurney	59/85
5,087,005	A *	2/1992	Holoff et al.	248/205.8
5,135,206	A *	8/1992	Martinez	269/21
D360,710	S *	7/1995	Colwell	D30/121
5,715,876	A *	2/1998	Burt	141/86
5,820,116	A *	10/1998	Haese	269/21
5,835,808	A *	11/1998	Parker et al.	396/419
5,909,758	A *	6/1999	Kitamura	16/406
D483,254	S *	12/2003	Sels	D8/394
D521,850	S	5/2006	Richter et al.	
D552,970	S *	10/2007	Brassard	D8/354

D563,859	S *	3/2008	Ku	D12/220
D565,402	S *	4/2008	Curran	D8/499
D591,756	S *	5/2009	Wohlford et al.	D14/452
D599,187	S *	9/2009	Matschina et al.	D8/315
D605,185	S *	12/2009	Russell et al.	D14/239
D605,188	S *	12/2009	Martinez	D14/253
D619,586	S *	7/2010	Richter	D14/447
D619,587	S *	7/2010	Richter	D14/447
7,857,268	B2 *	12/2010	Chiu	248/206.3
D638,008	S *	5/2011	Richter	D14/253
2009/0050758	A1 *	2/2009	Carnevali	248/205.8

* cited by examiner

Primary Examiner — Mark Goodwin

(74) *Attorney, Agent, or Firm* — Larry K. Roberts

(57) **CLAIM**

The ornamental design for a bridge for suction mount system, as shown and described.

DESCRIPTION

FIG. 1 is an isometric view of a bridge for suction mount system showing my new design in assembled condition with suction mounts shown in broken lines and forming no part of the claimed design;

FIG. 2 is an enlarged isometric view thereof shown in isolation;

FIG. 3 is a reduced top plan view thereof;

FIG. 4 is a bottom plan view thereof;

FIG. 5 is a right side view thereof;

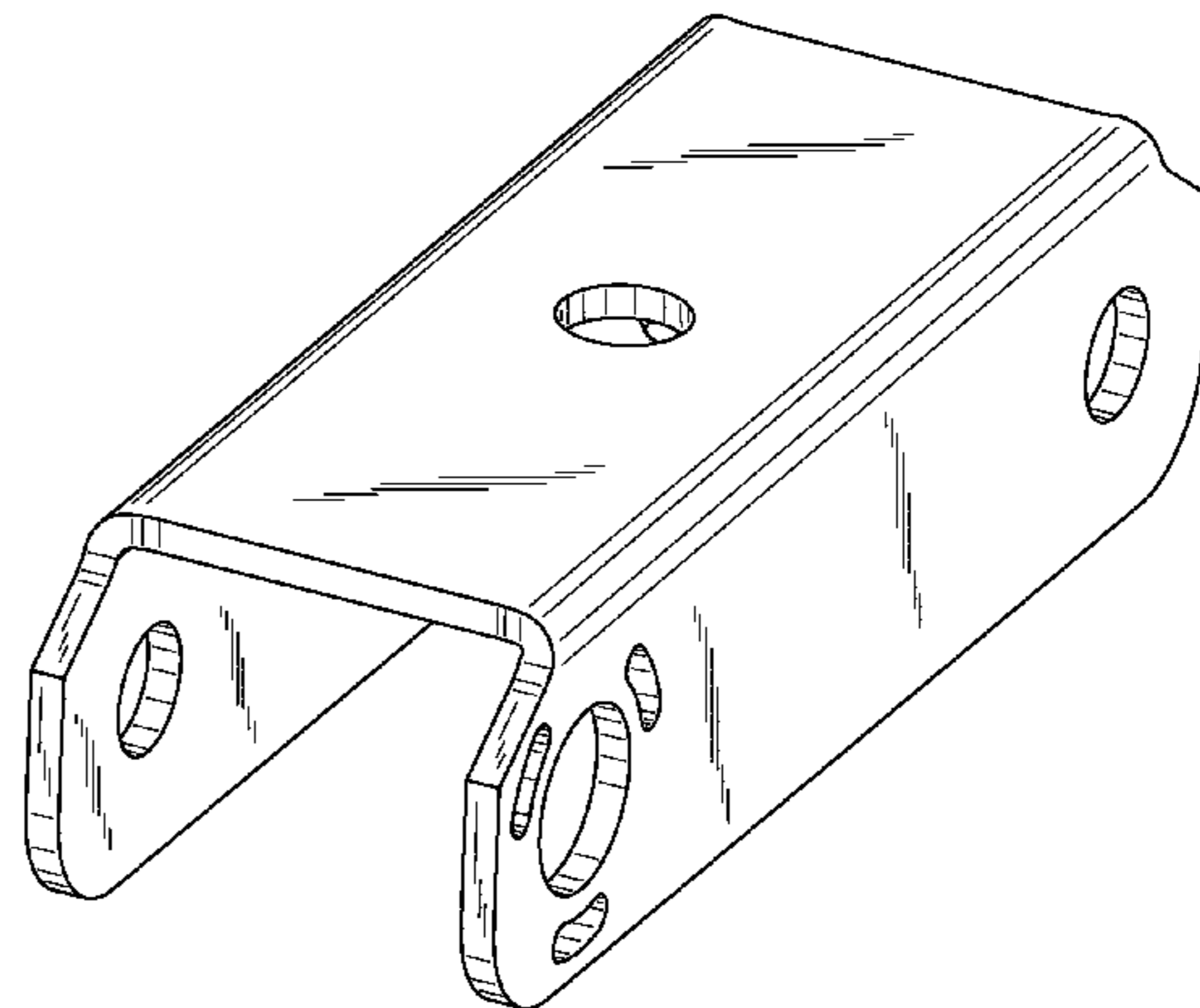
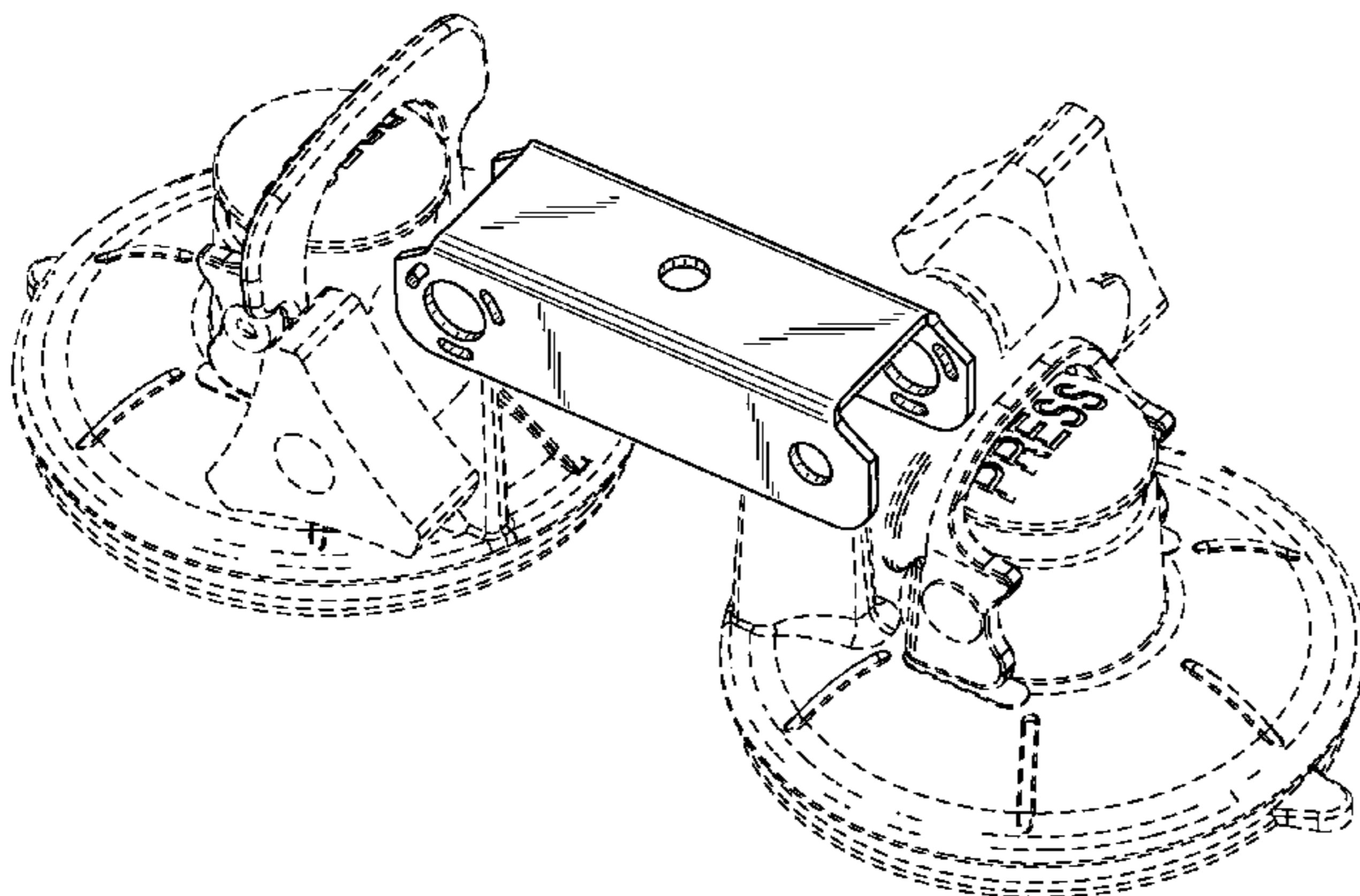
FIG. 6 is a left side view thereof;

FIG. 7 is a front view thereof; and,

FIG. 8 is a rear view thereof.

The features shown on the drawing in broken lines are for illustrative purposes only and are not a part of the scope of the claim of the embodiment in which they are shown.

1 Claim, 3 Drawing Sheets



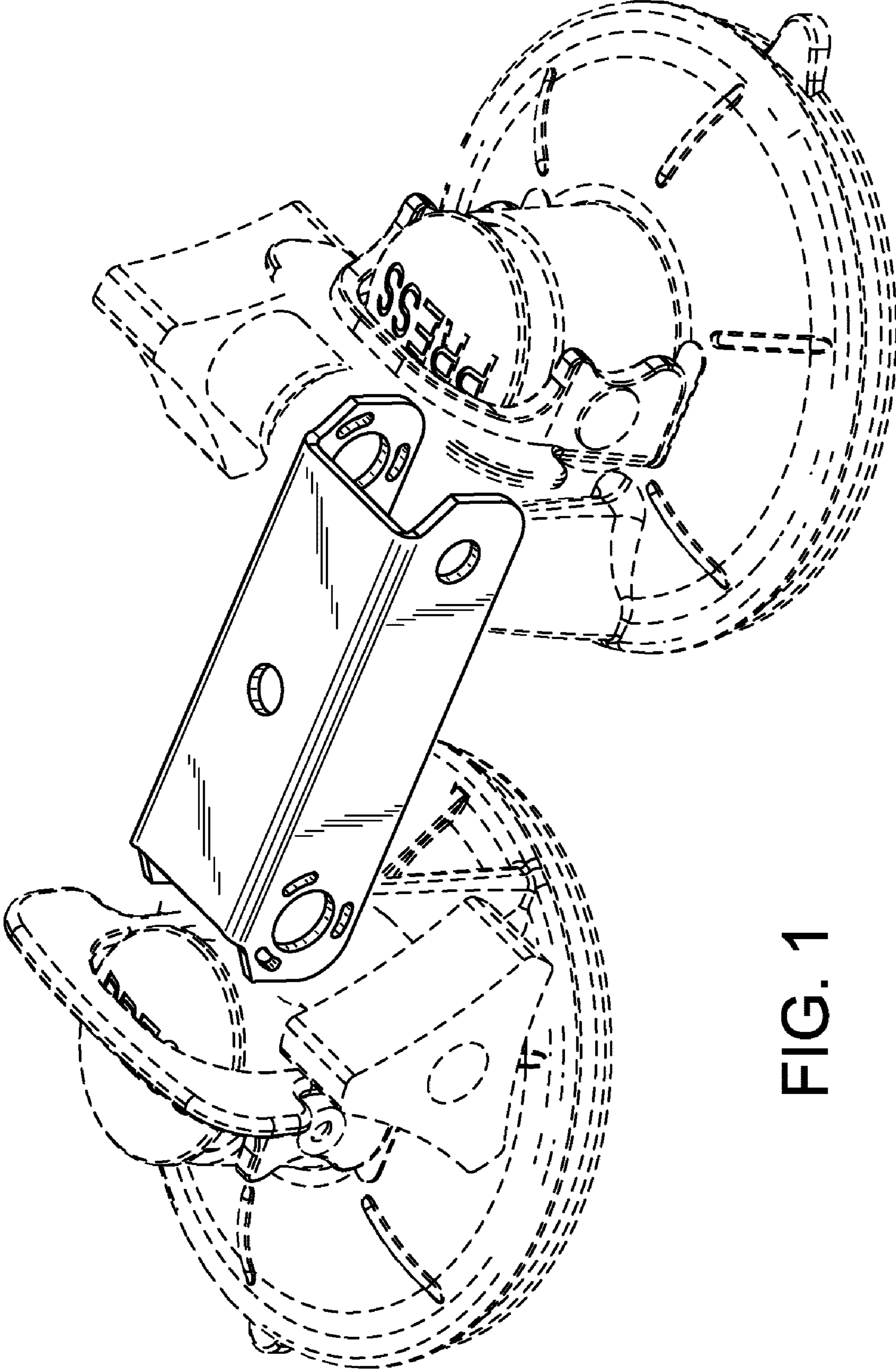


FIG. 1

FIG. 2

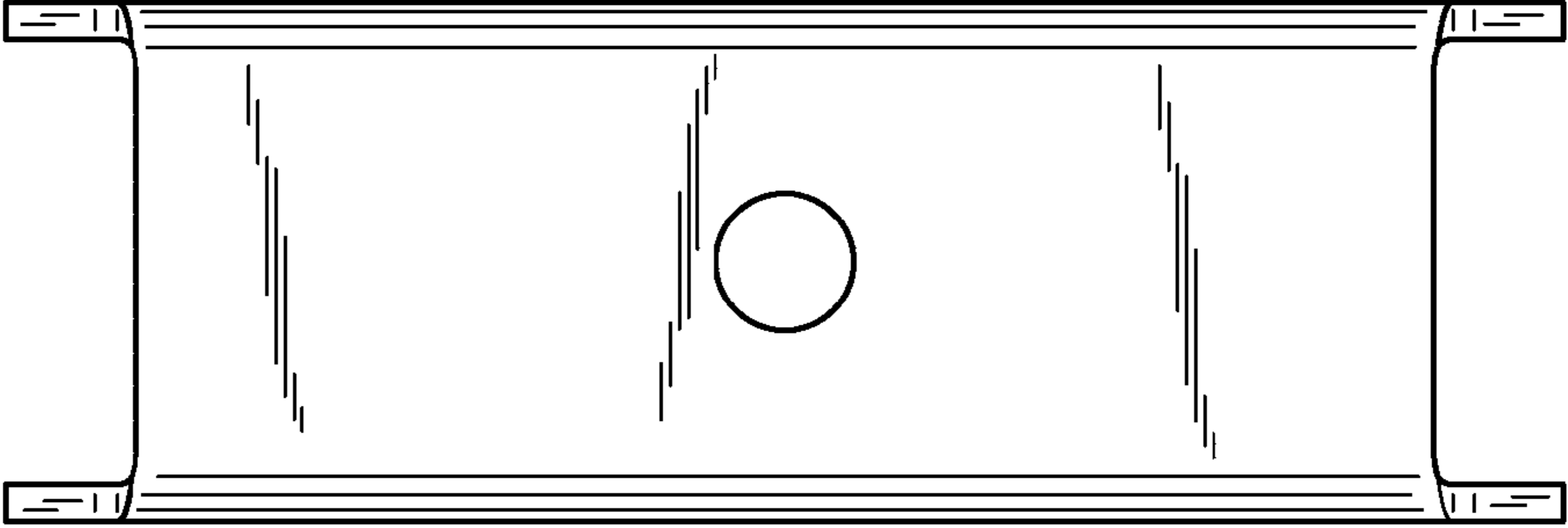
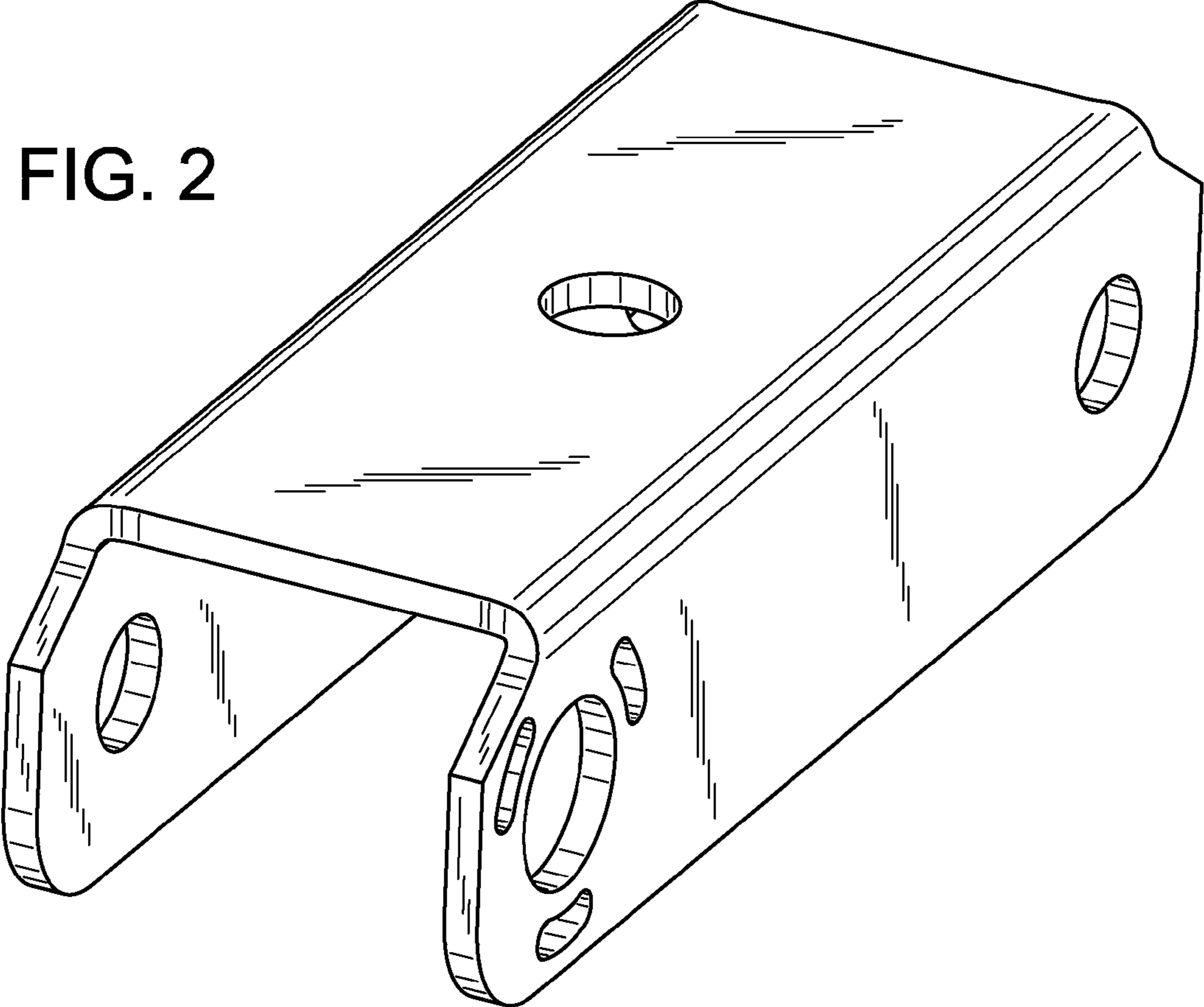


FIG. 3

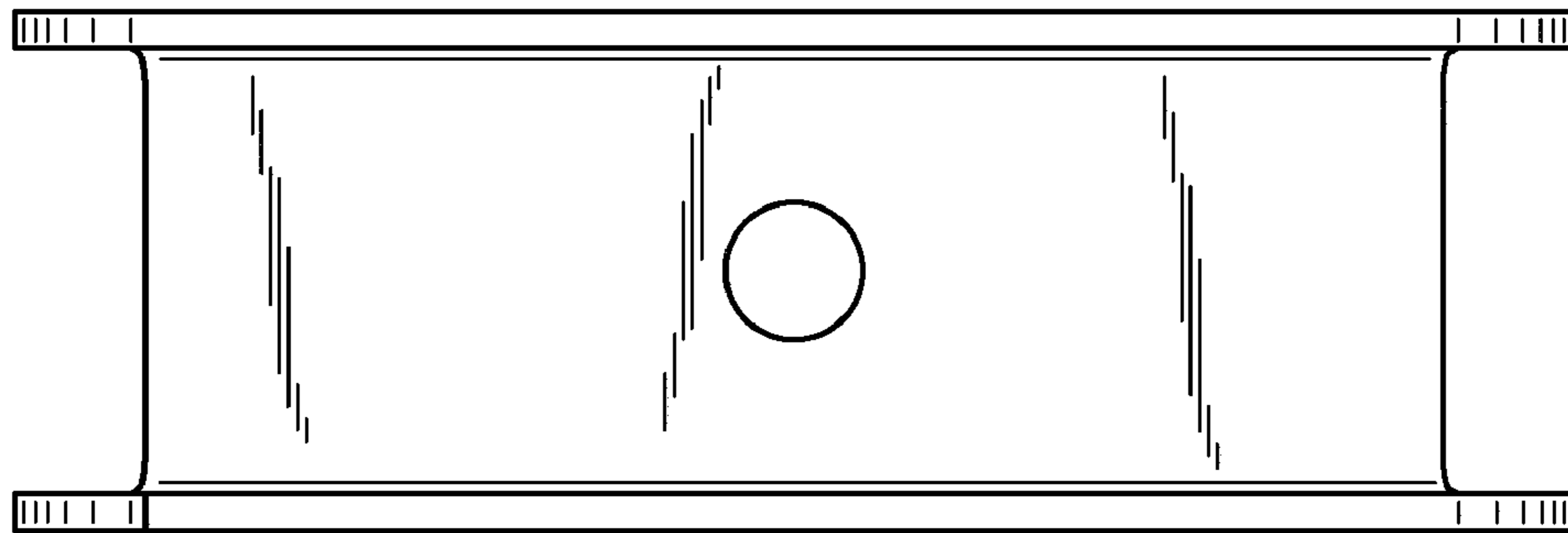


FIG. 4

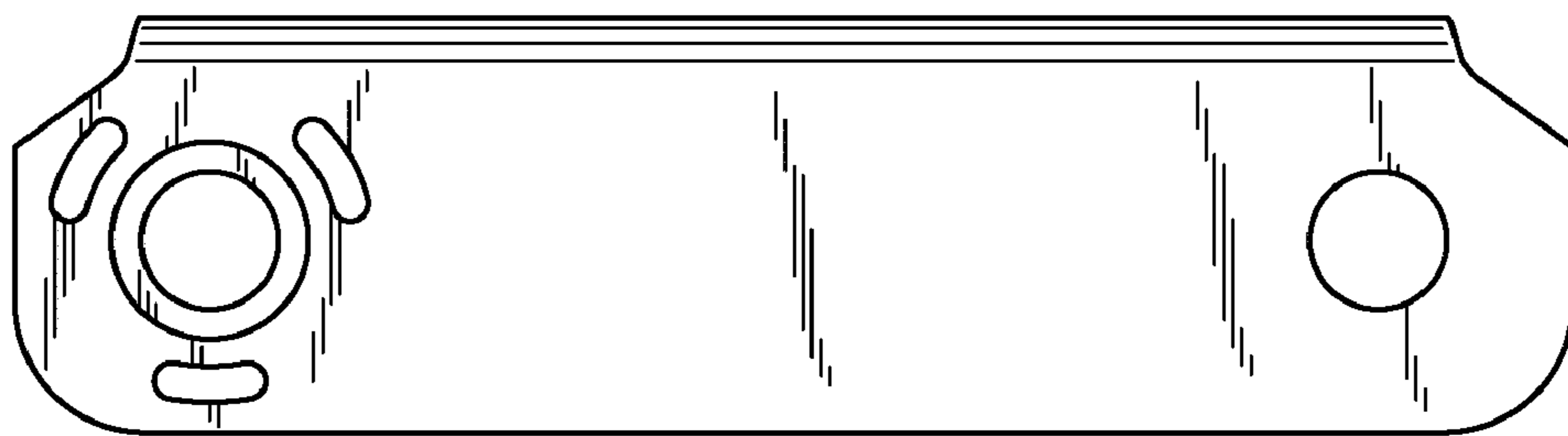


FIG. 5

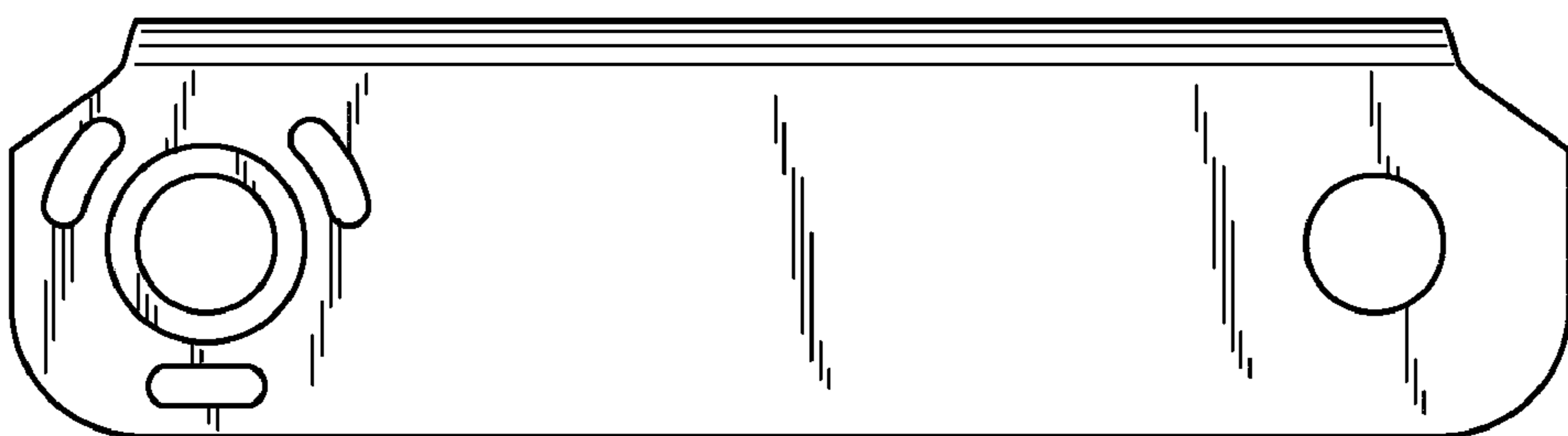


FIG. 6

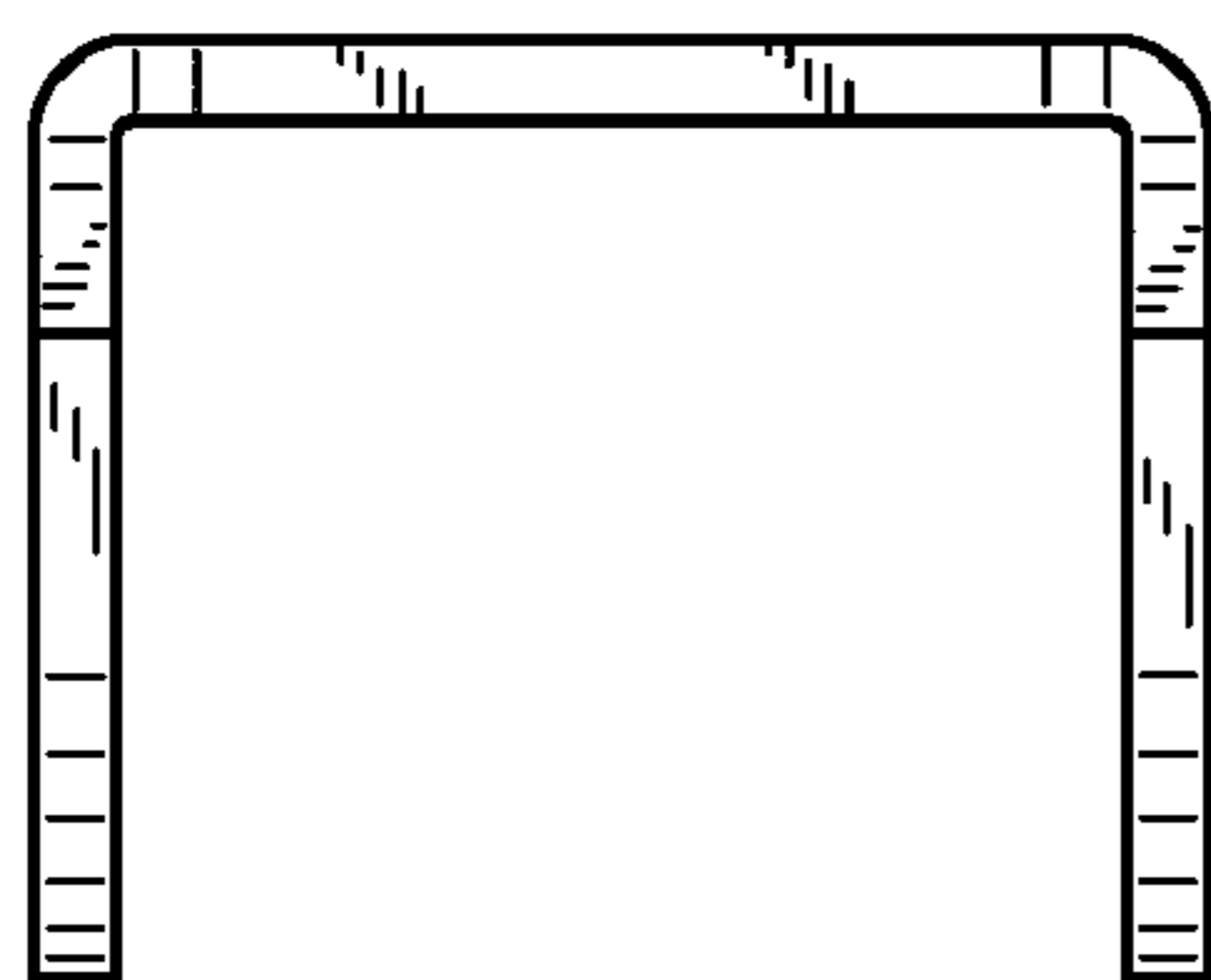


FIG. 7

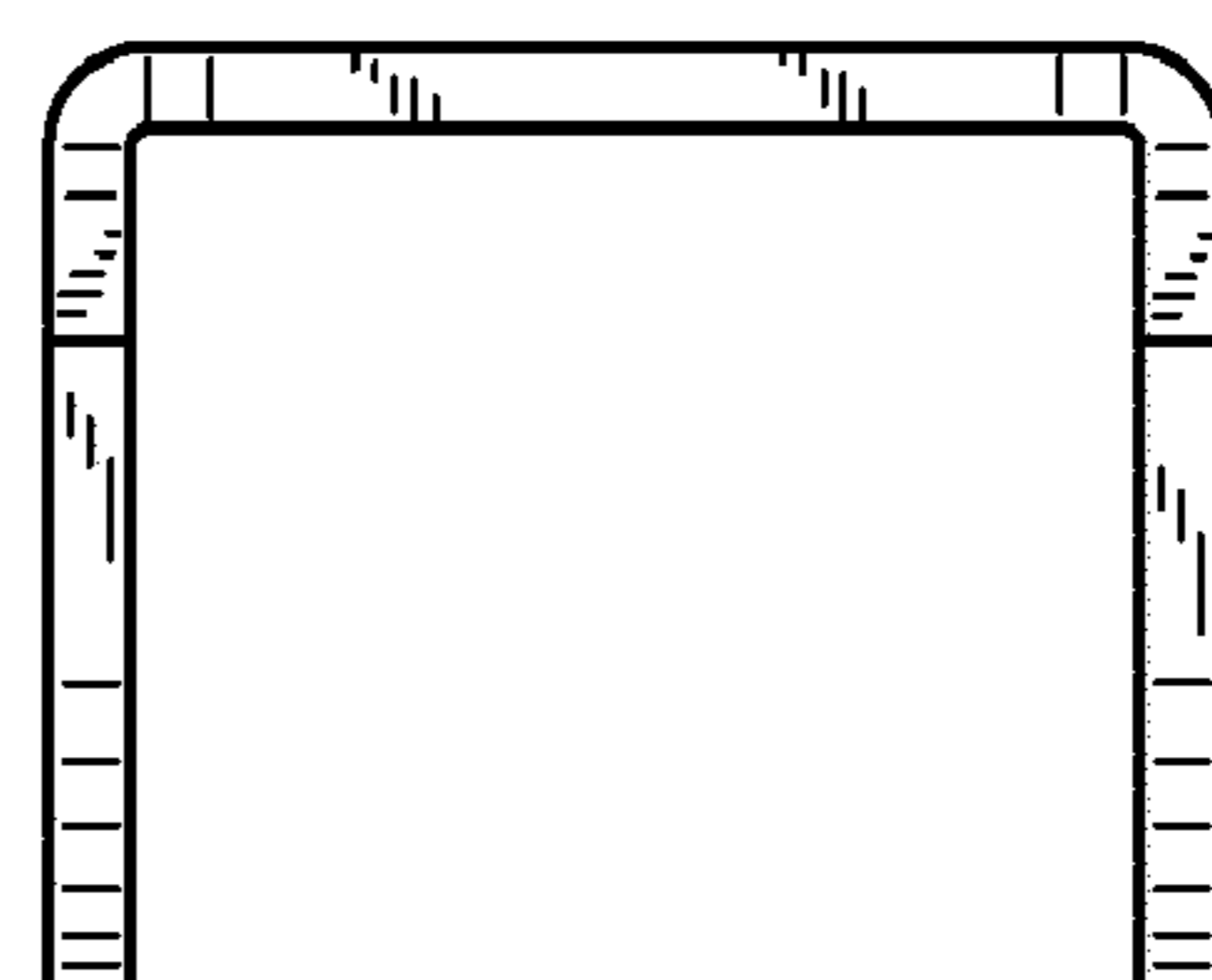


FIG. 8