

US00D661974S

(12) **United States Design Patent**  
**Han**

(10) **Patent No.:** **US D661,974 S**

(45) **Date of Patent:** **\*\* Jun. 19, 2012**

(54) **CABINET HANDLE**

(76) Inventor: **Kukjin Han**, High Point, NC (US)

(\*\*) Term: **14 Years**

(21) Appl. No.: **29/374,072**

(22) Filed: **Jun. 29, 2011**

(51) **LOC (9) Cl.** ..... **08-06**

(52) **U.S. Cl.** ..... **D8/320**

(58) **Field of Classification Search** ..... D8/300,  
D8/305, 315, 316, 317, 318, 319, 320, 401,  
D8/DIG. 1; 16/110.1, 412; D7/393, 394;  
D6/549, 550, 524, 533; D23/250, 254; D99/11;  
292/336.3

See application file for complete search history.

(56) **References Cited**

**U.S. PATENT DOCUMENTS**

D331,004 S	*	11/1992	Birch	.....	D8/308
D372,851 S	*	8/1996	Chen	.....	D8/319
D387,265 S	*	12/1997	Mattson et al.	.....	D8/316
D423,905 S	*	5/2000	Keller	.....	D8/320

D471,257 S	*	3/2003	Smith	.....	D23/252
D529,743 S	*	10/2006	Gilbert	.....	D6/550
D533,429 S	*	12/2006	Yegyayan et al.	.....	D8/300
D568,140 S	*	5/2008	Hanes	.....	D8/316
D568,141 S	*	5/2008	Hanes	.....	D8/320

\* cited by examiner

*Primary Examiner* — Paula Greene

(74) *Attorney, Agent, or Firm* — Schultz & Associates, P.C.

(57) **CLAIM**

The ornamental design for a cabinet handle, as shown and described.

**DESCRIPTION**

FIG. 1 is a perspective view of a cabinet handle showing my new design;

FIG. 2 is a side elevation view thereof;

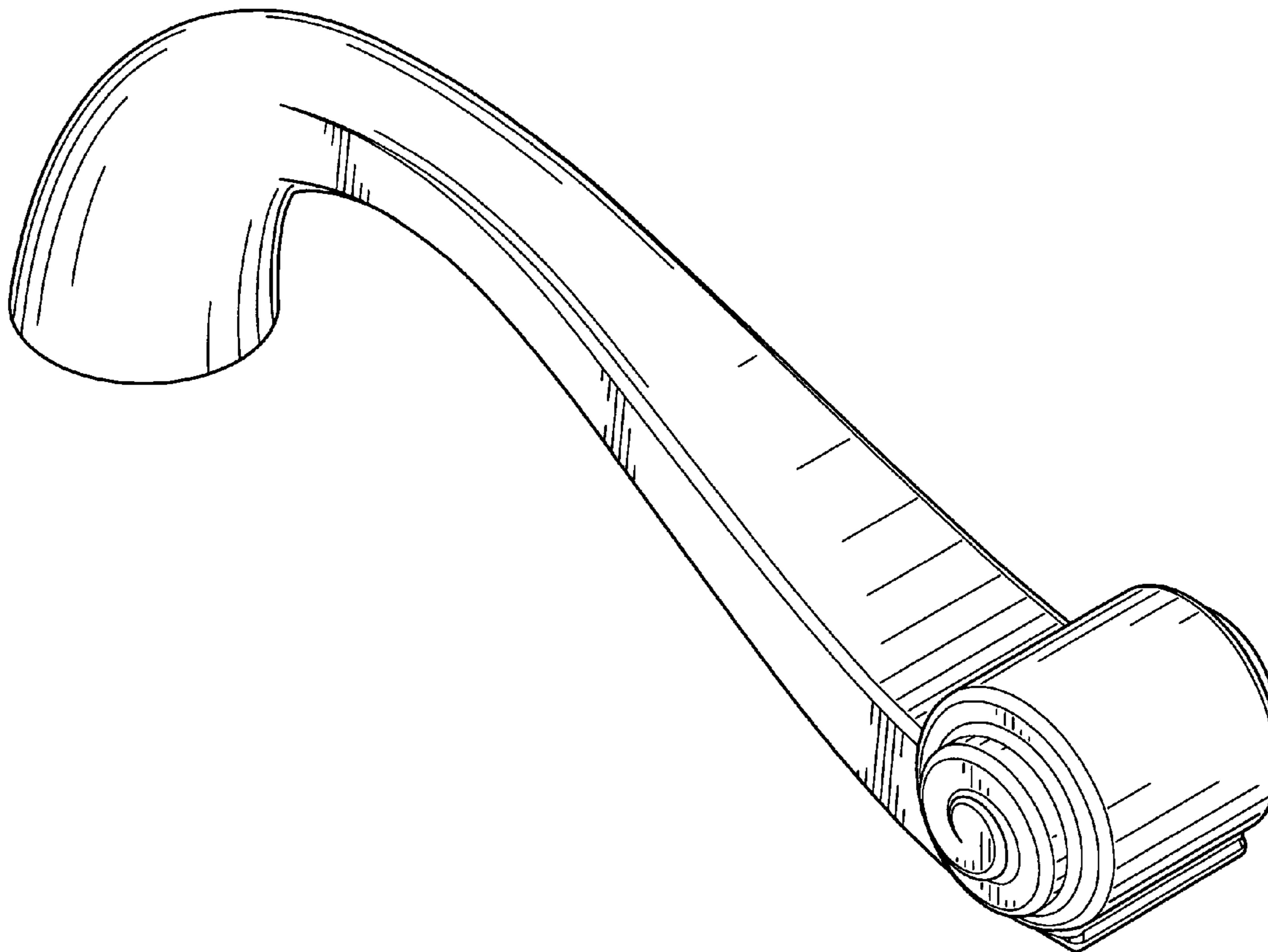
FIG. 3 is a side elevation view thereof;

FIG. 4 is a top plan view thereof; and,

FIG. 5 is a bottom plan view thereof.

The broken lines shown represent unclaimed subject matter and form no part of the claimed design.

**1 Claim, 3 Drawing Sheets**



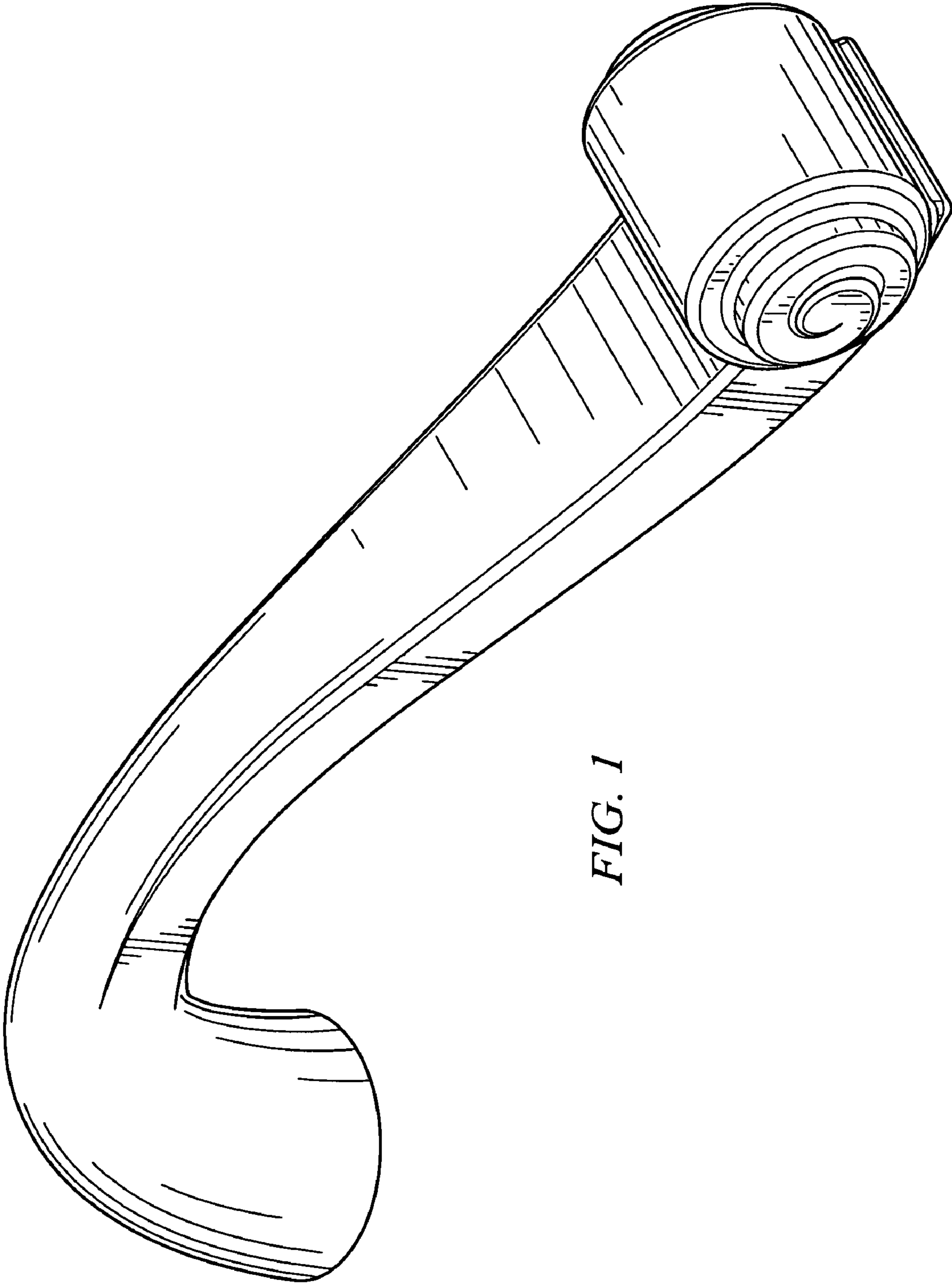
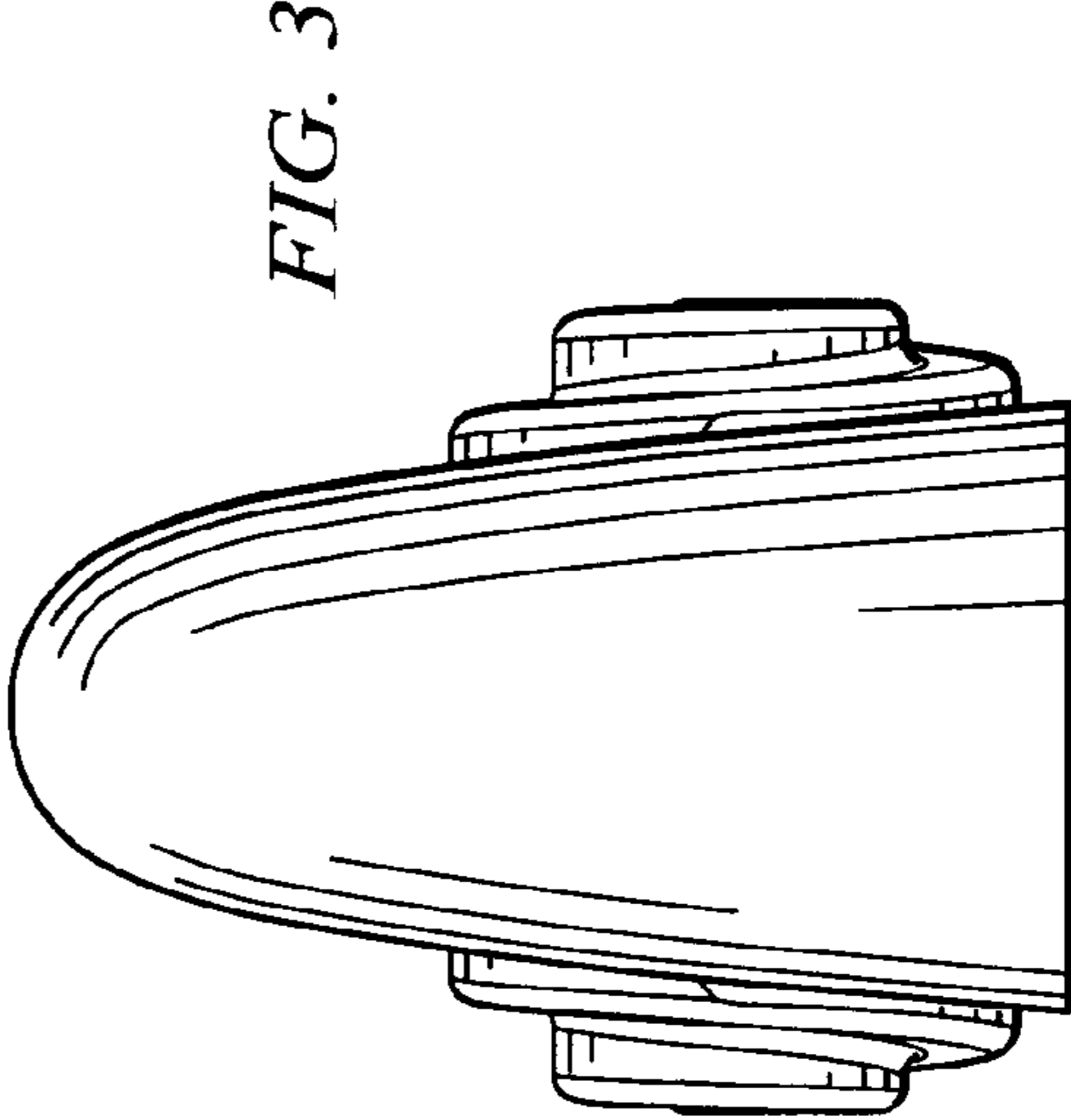
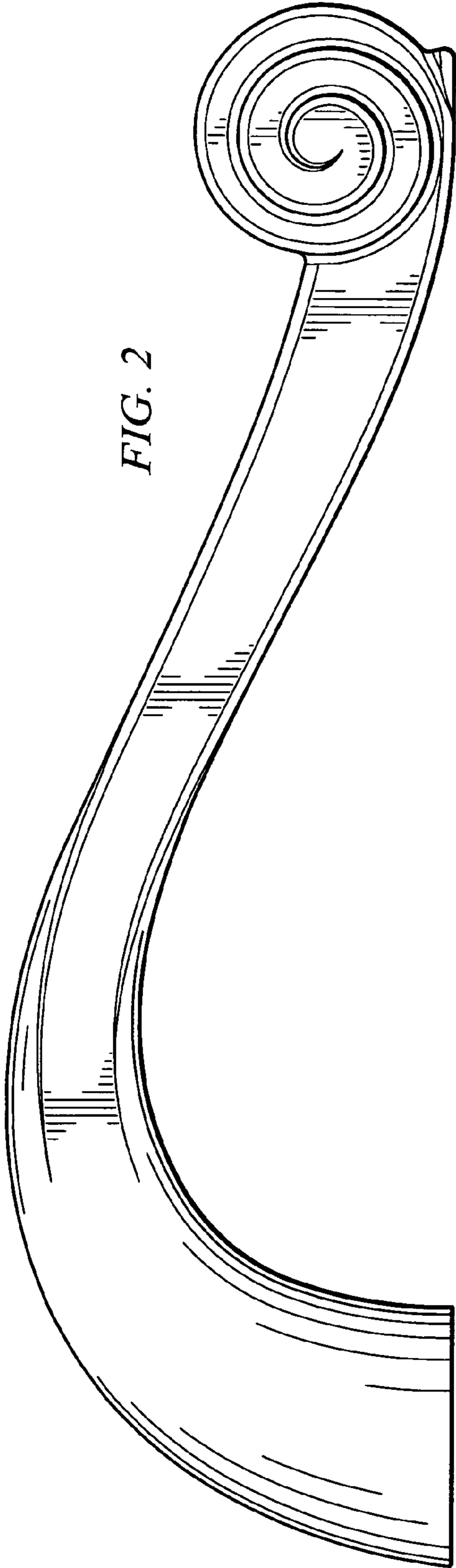


FIG. 1



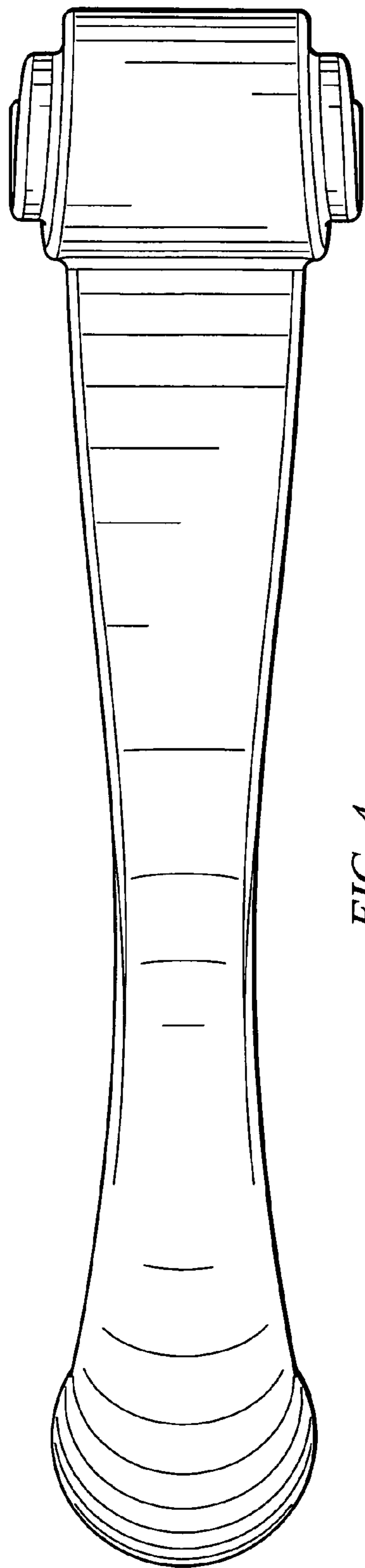


FIG. 4

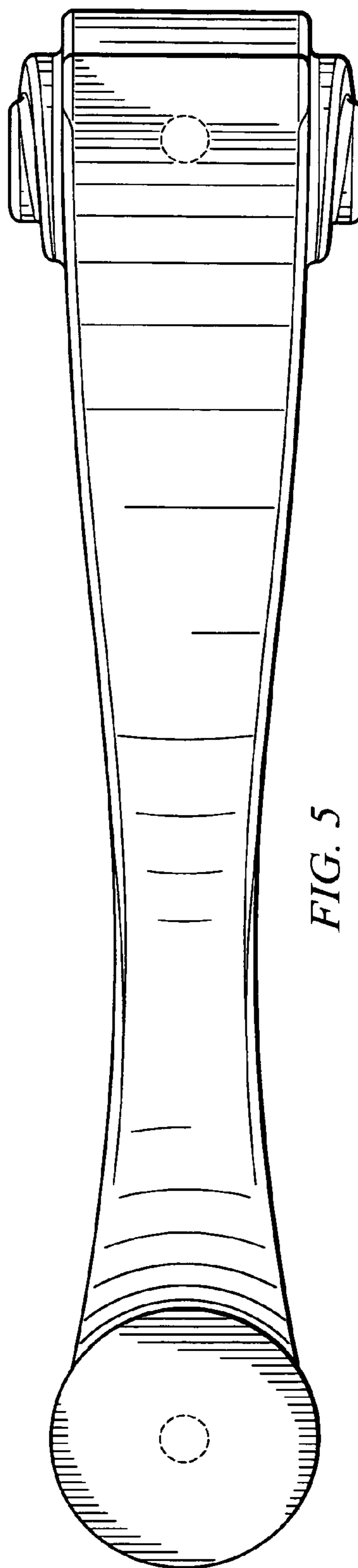


FIG. 5