



US00D661971S

(12) **United States Design Patent**
Han

(10) **Patent No.:** **US D661,971 S**
(45) **Date of Patent:** **** Jun. 19, 2012**

(54) **CABINET HANDLE**

(75) Inventor: **Kukjin Han**, High Point, NC (US)

(73) Assignee: **Hardware Resources, Inc.**, Bossier City, LA (US)

(**) Term: **14 Years**

(21) Appl. No.: **29/374,074**

(22) Filed: **Jun. 30, 2011**

(51) **LOC (9) Cl.** **08-06**

(52) **U.S. Cl.** **D8/316**

(58) **Field of Classification Search** D8/300,
D8/305, 310, 315, 316, 307, 318, 319, 320,
D8/DIG. 1, DIG. 2, 378; 16/110.1, 412;
D7/393, 394; D6/549, 550, 524, 533; D23/250,
D23/254; D99/11; 292/336.3
See application file for complete search history.

(56) **References Cited**

U.S. PATENT DOCUMENTS

D72,798 S *	6/1927	Knapp	D8/318
D195,824 S *	8/1963	Louis	D8/310
D196,228 S *	9/1963	Gorton	D8/317
D197,960 S *	4/1964	Heyer	D8/307
D205,888 S *	10/1966	Clayton	D8/317

D209,737 S *	1/1968	Loeb	D8/318
D215,695 S *	10/1969	Loeb	D8/307
D554,466 S *	11/2007	Jou	D8/305
D570,186 S *	6/2008	Hanes	D8/317
D588,897 S *	3/2009	Ricereto	D8/317
D596,918 S *	7/2009	Menzies	D8/315
D602,336 S *	10/2009	Owens	D8/316
D634,179 S *	3/2011	Owens	D8/316
D643,277 S *	8/2011	Roe et al.	D8/317
D649,005 S *	11/2011	Roe et al.	D8/316

* cited by examiner

Primary Examiner — Paula Greene

(74) *Attorney, Agent, or Firm* — Schultz & Associates, P.C.

(57) **CLAIM**

The ornamental design for a cabinet handle, as shown and described.

DESCRIPTION

FIG. 1 is a perspective view of a cabinet handle showing my new design;

FIG. 2 is a side elevation view thereof;

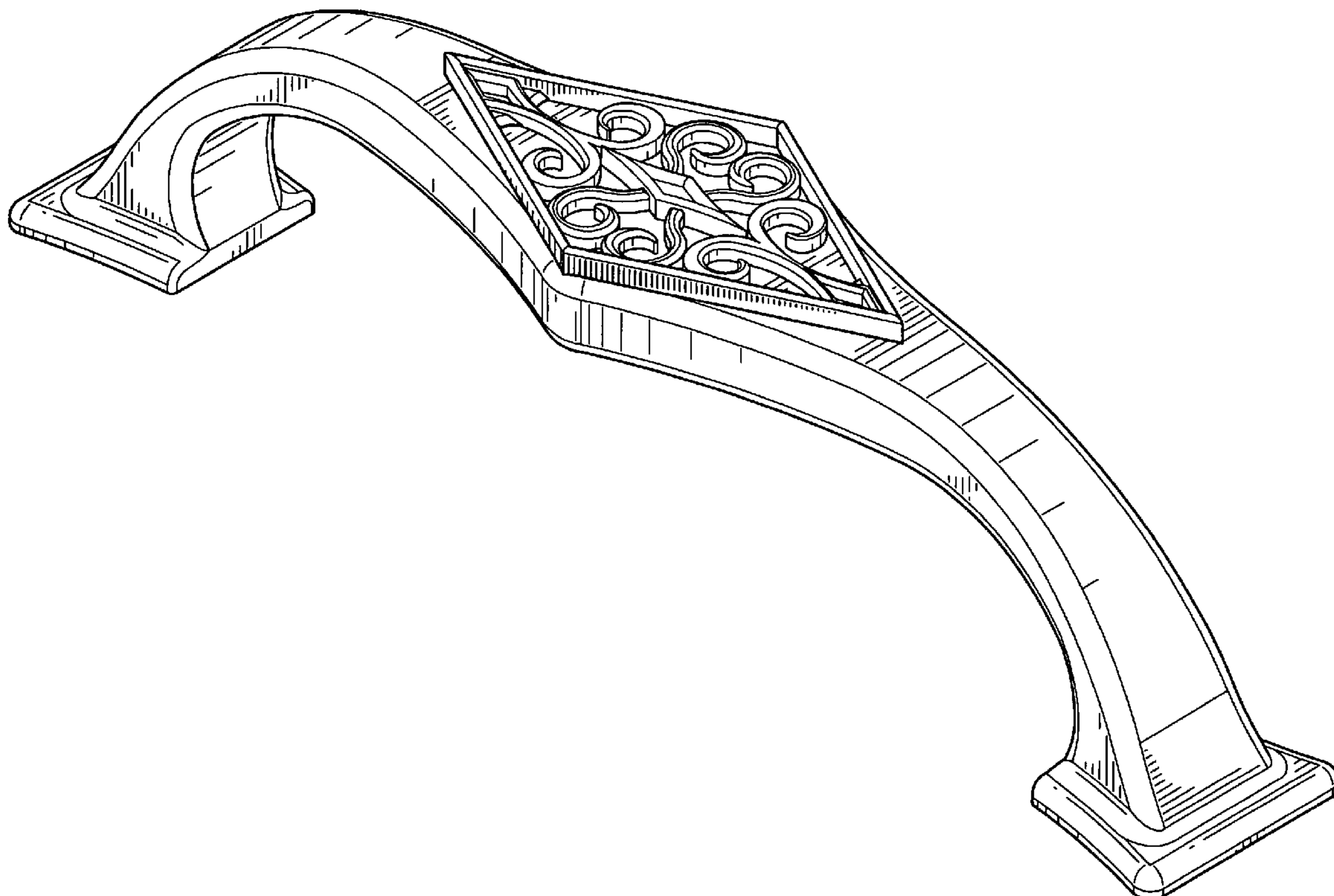
FIG. 3 is a side elevation view thereof;

FIG. 4 is a top plan view thereof; and,

FIG. 5 is a bottom plan view thereof;

The broken lines shown represent unclaimed subject matter and form no part of the claimed design.

1 Claim, 3 Drawing Sheets



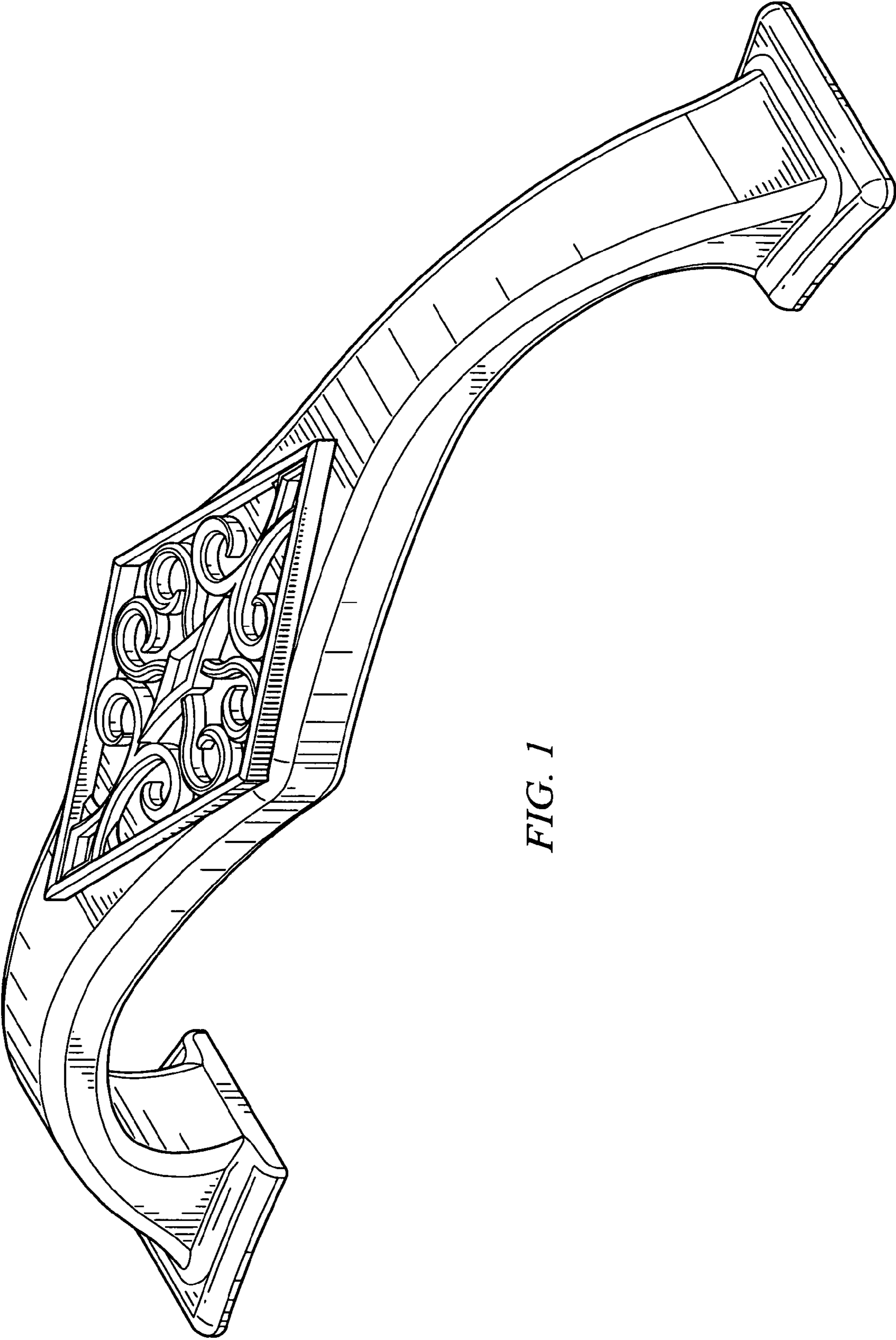


FIG. 1

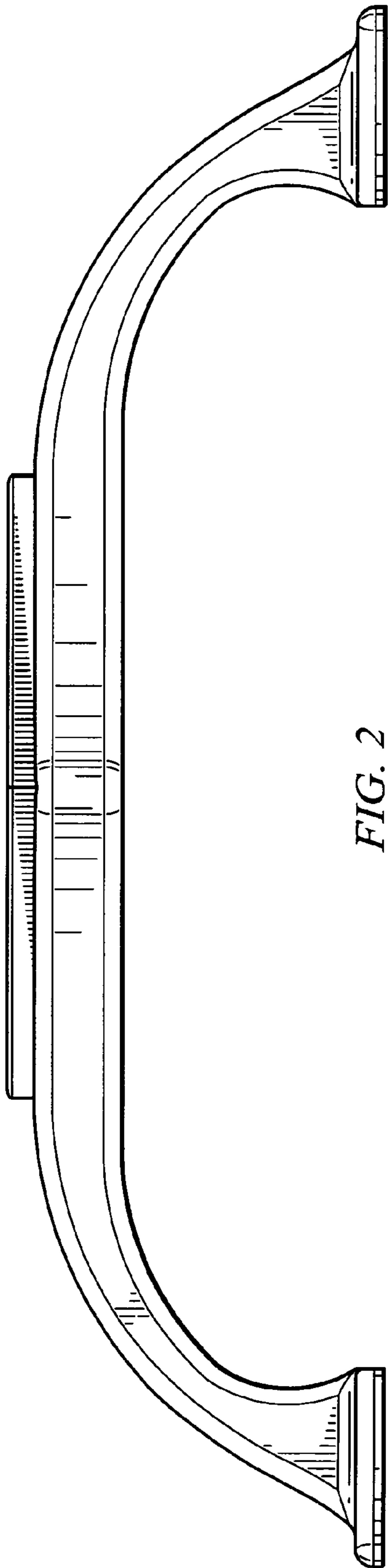


FIG. 2

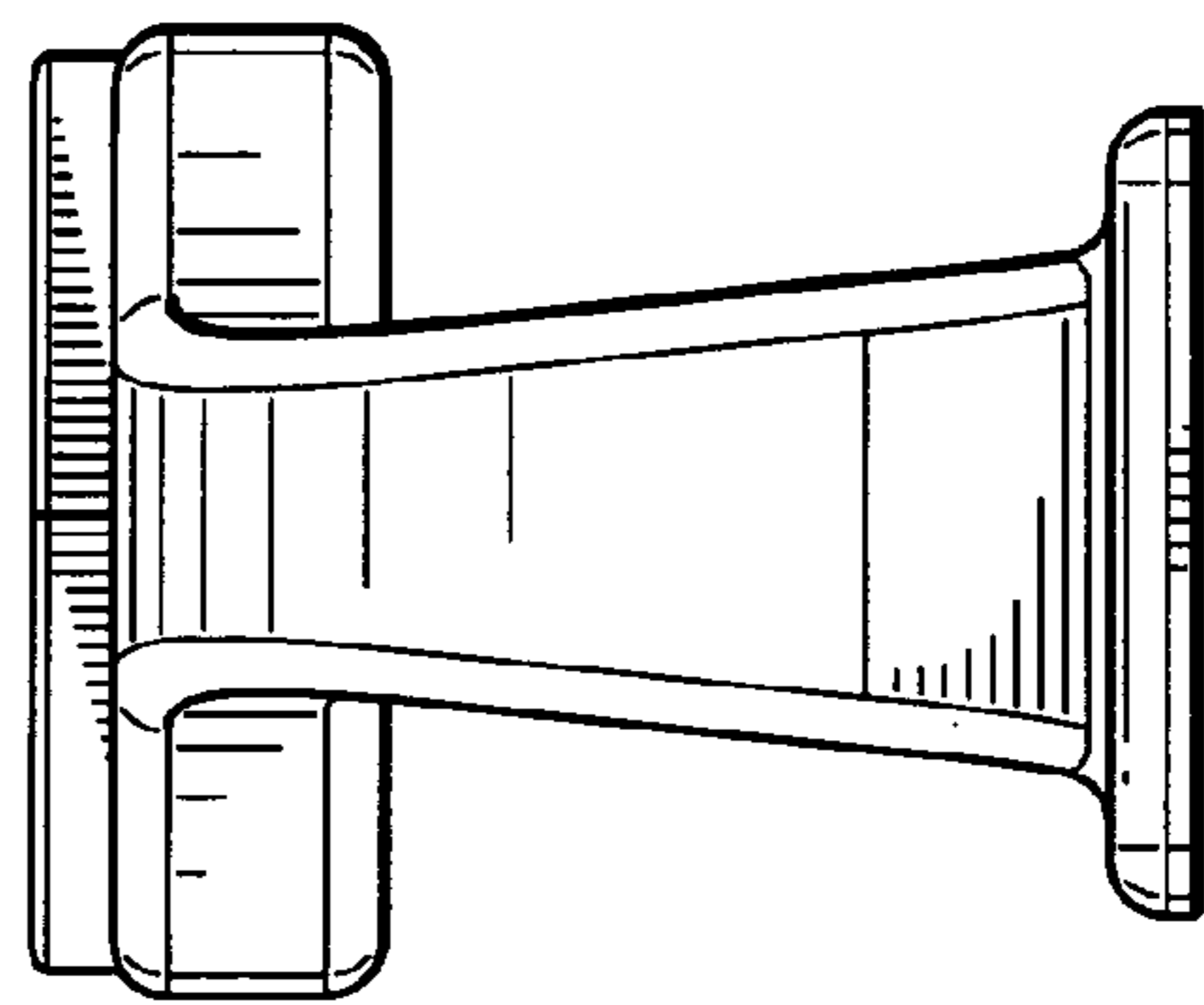


FIG. 3

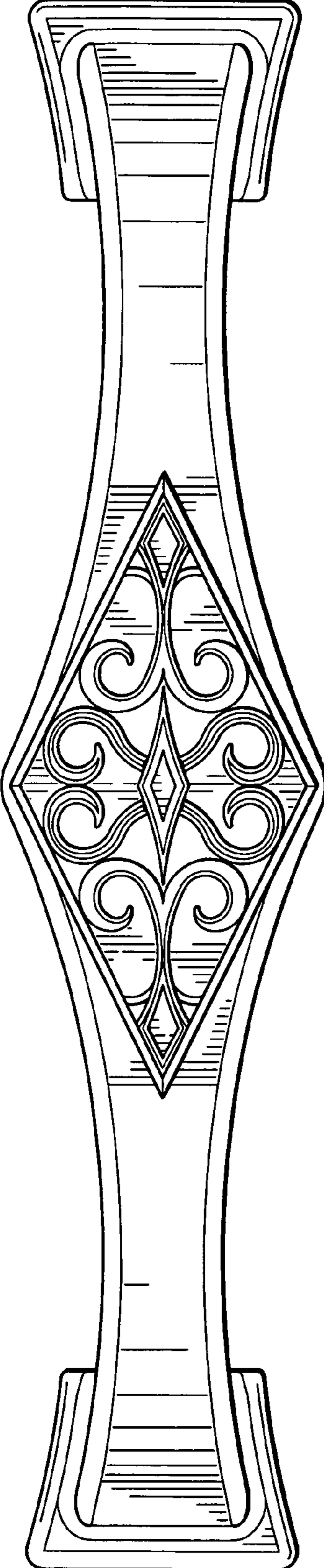


FIG. 4

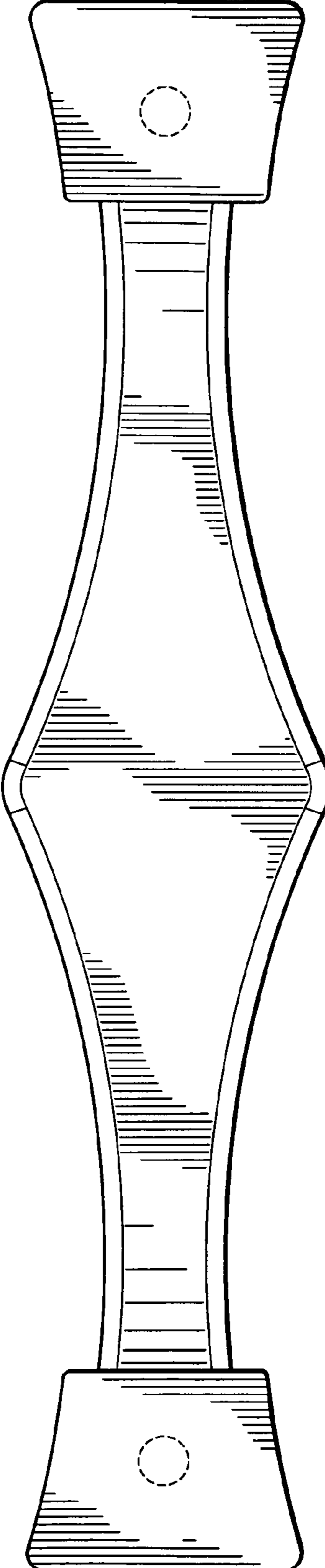


FIG. 5