

US00D661969S

(12) **United States Design Patent**
Biddle

(10) **Patent No.:** **US D661,969 S**

(45) **Date of Patent:** **** *Jun. 19, 2012**

- (54) **PRESSURE RELEASE LEVER**
- (75) Inventor: **Ernest L. Biddle**, Bryn Mawr, PA (US)
- (73) Assignee: **King Tester Corporation**, King of Prussia, PA (US)

2,337,573 A	12/1943	Schultz	
2,391,394 A *	12/1945	Cogbill	81/124.3
2,418,916 A	4/1947	Weaver	
2,448,486 A	8/1948	Chester	
2,466,567 A	4/1949	Williams	
2,532,027 A *	11/1950	Maddox	81/57.3

(Continued)

(*) Notice: This patent is subject to a terminal disclaimer.

(**) Term: **14 Years**

(21) Appl. No.: **29/382,902**

(22) Filed: **Jan. 10, 2011**

(51) **LOC (9) Cl.** **08-06**

(52) **U.S. Cl.** **D8/308**

(58) **Field of Classification Search** D8/300,
D8/308, 309, 107, 14, 29, 25, 28, 83, 88;
292/336.3; 16/271; 81/120, 121.1, 124.3,
81/124.6, 186; 73/821

See application file for complete search history.

(56) **References Cited**

U.S. PATENT DOCUMENTS

D31,361 S *	8/1899	Ball	D8/29
D34,213 S *	3/1901	Baxter	D8/21
827,846 A *	8/1906	Bowser et al.	81/61
1,209,350 A	12/1916	Steiner	
1,232,782 A	7/1917	Field	
1,354,218 A	9/1920	Schneider	
1,384,389 A	7/1921	Johnson	
1,431,832 A *	10/1922	Mills et al.	81/13
1,646,195 A	10/1927	German	
D78,990 S *	7/1929	Stevenson	D8/308
1,770,045 A	7/1930	Shore et al.	
1,973,333 A	9/1934	Craemer	
2,029,066 A	1/1936	Geppert	
2,203,129 A	6/1940	Campbell et al.	
2,297,778 A	10/1942	Knerr et al.	
2,319,208 A	5/1943	Clark	

FOREIGN PATENT DOCUMENTS

DE 2357755 6/1974

(Continued)

Primary Examiner — Paula Greene

(74) *Attorney, Agent, or Firm* — Charles N. Quinn, Esq.; Fox Rothschild LLP

(57) **CLAIM**

I claim the ornamental design for a pressure release lever, as shown.

DESCRIPTION

FIG. 1 is an isometric view showing the top, left side, and front of the pressure release lever of the invention.

FIG. 2 is an isometric view showing the bottom, right side, and front of the pressure release lever of the invention.

FIG. 3 is a top plan view of the pressure release lever of the invention.

FIG. 4 is a bottom view of the pressure release lever of the invention.

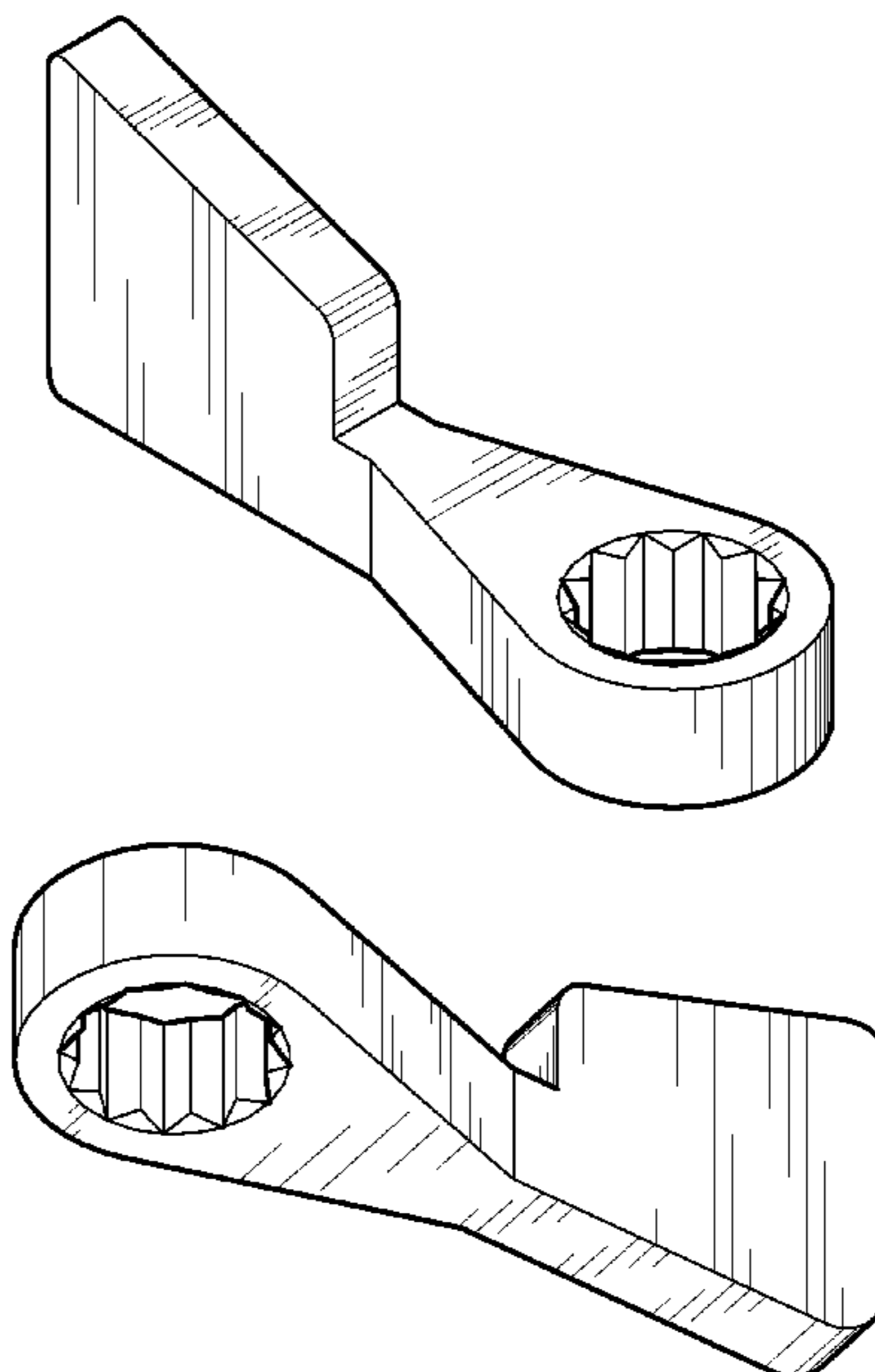
FIG. 5 is a rear elevation of the pressure release lever of the invention.

FIG. 6 is a front elevation of the pressure release lever of the invention; and,

FIG. 7 is a left side elevation of the pressure release lever of the invention.

The right side of the pressure release lever of the invention is identical to the left side as illustrated in FIG. 7.

1 Claim, 2 Drawing Sheets



US D661,969 S

Page 2

U.S. PATENT DOCUMENTS

2,535,830 A 12/1950 Beck
D168,385 S * 12/1952 Watson D8/28
2,643,544 A 6/1953 Chester
2,693,698 A 11/1954 Scott
D178,060 S 6/1956 Karol
2,804,769 A 9/1957 Clark, Sr.
2,835,127 A 5/1958 Scott
2,839,917 A 6/1958 Webster
2,956,432 A 10/1960 Henrikson
2,966,083 A * 12/1960 Cheney 81/124.3
2,976,723 A 3/1961 Eddy
3,029,631 A 4/1962 Borgersen et al.
3,083,598 A * 4/1963 Kinnison 81/124.3
3,102,417 A 9/1963 Chambers
3,128,621 A 4/1964 Scott
3,129,582 A 4/1964 Borgersen
3,138,951 A 6/1964 Scott
3,156,143 A * 11/1964 Wolf 81/177.6
D200,799 S * 4/1965 Dickman D8/385
D203,933 S * 3/1966 Griffith D8/308
3,247,824 A 4/1966 Rodgers
3,309,916 A 3/1967 Pearson
3,370,421 A 2/1968 Piper
3,478,568 A 11/1969 Borgersen
3,486,373 A 12/1969 Scott

D219,861 S * 2/1971 Coffman D8/308
D223,174 S 3/1972 Pettavel
3,728,551 A 4/1973 Culver et al.
3,754,436 A 8/1973 Saxton
3,815,125 A 6/1974 May et al.
3,908,489 A * 9/1975 Yamamoto et al. 81/124.3
4,036,048 A 7/1977 Webster
4,075,478 A 2/1978 Walker
4,094,188 A 6/1978 Bellouin et al.
4,147,052 A 4/1979 Tsujiuchi et al.
4,193,199 A 3/1980 Whiteley et al.
4,312,220 A 1/1982 Borgersen et al.
4,361,034 A 11/1982 Borgersen et al.
4,562,758 A * 1/1986 Stirling 81/124.4
D283,599 S 4/1986 Biddle et al.
5,388,486 A * 2/1995 Ruzicka et al. 81/124.3
D369,968 S * 5/1996 Decursu et al. D8/308
D387,640 S * 12/1997 Von Fange D8/28
D406,993 S * 3/1999 Jones D8/28
6,050,165 A * 4/2000 Hall 81/63.1
6,516,689 B1 * 2/2003 Bates 81/60
7,000,505 B2 * 2/2006 Hsien 81/121.1

FOREIGN PATENT DOCUMENTS

DE 2751095 3/1979

* cited by examiner

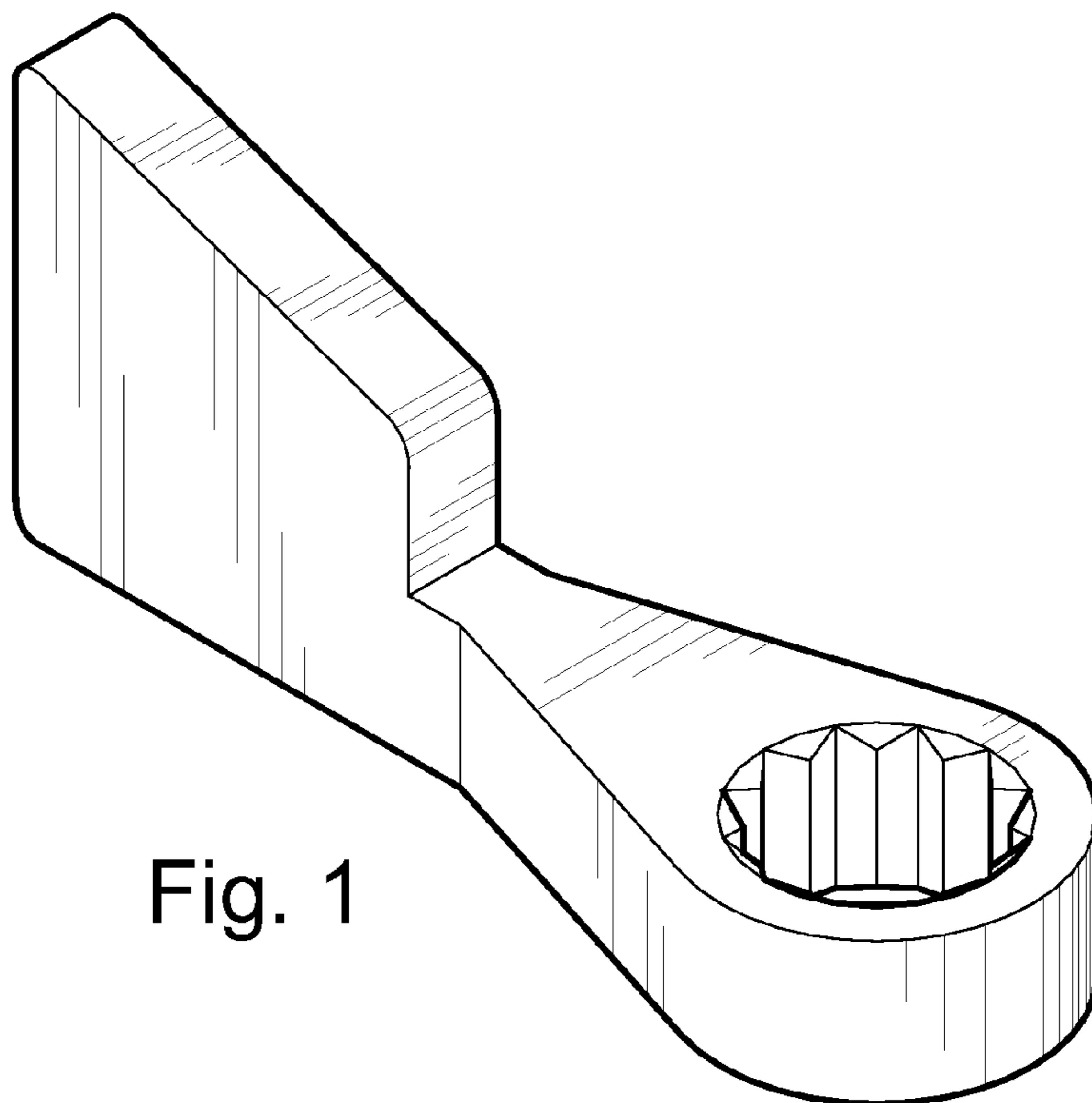


Fig. 1

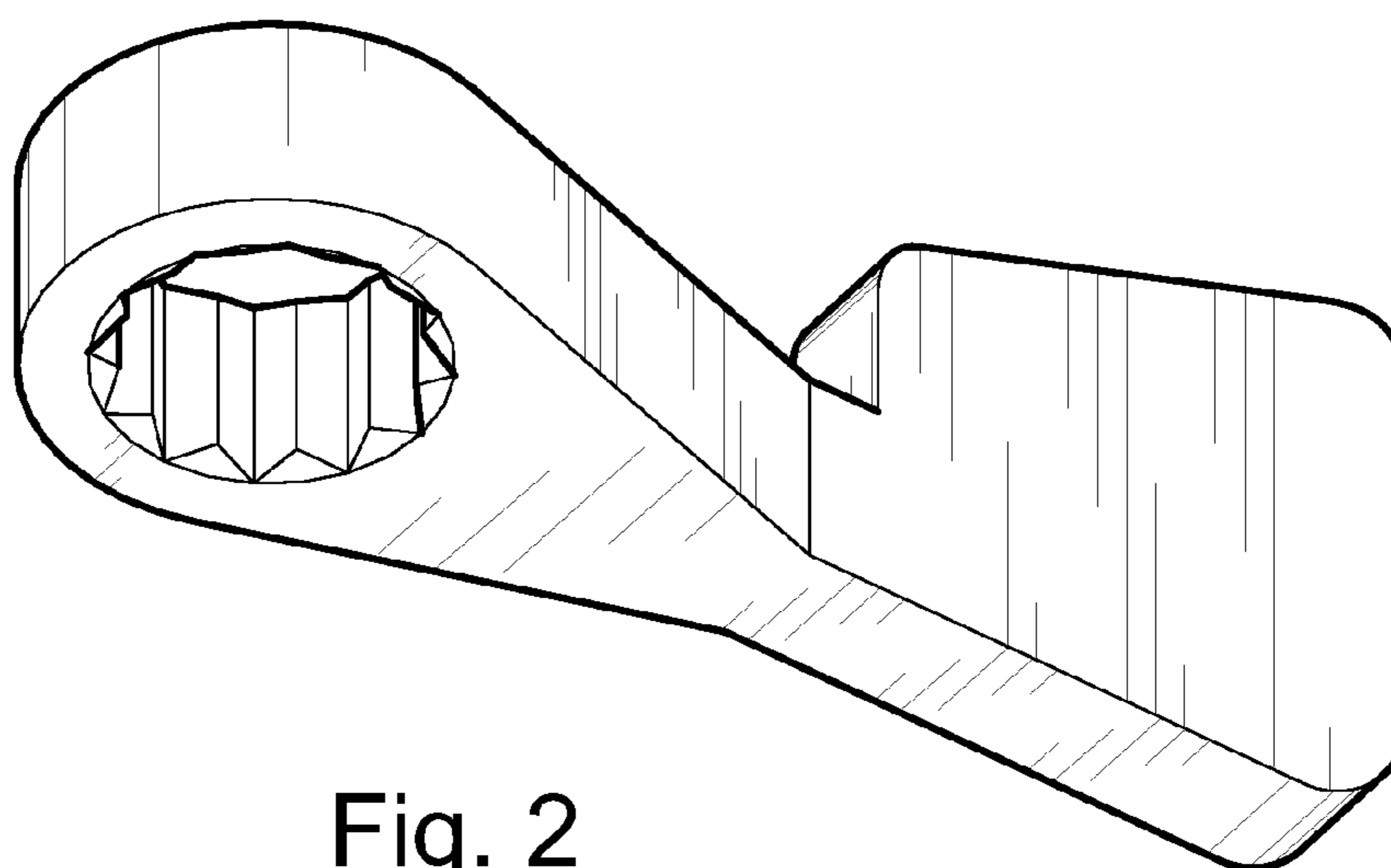


Fig. 2

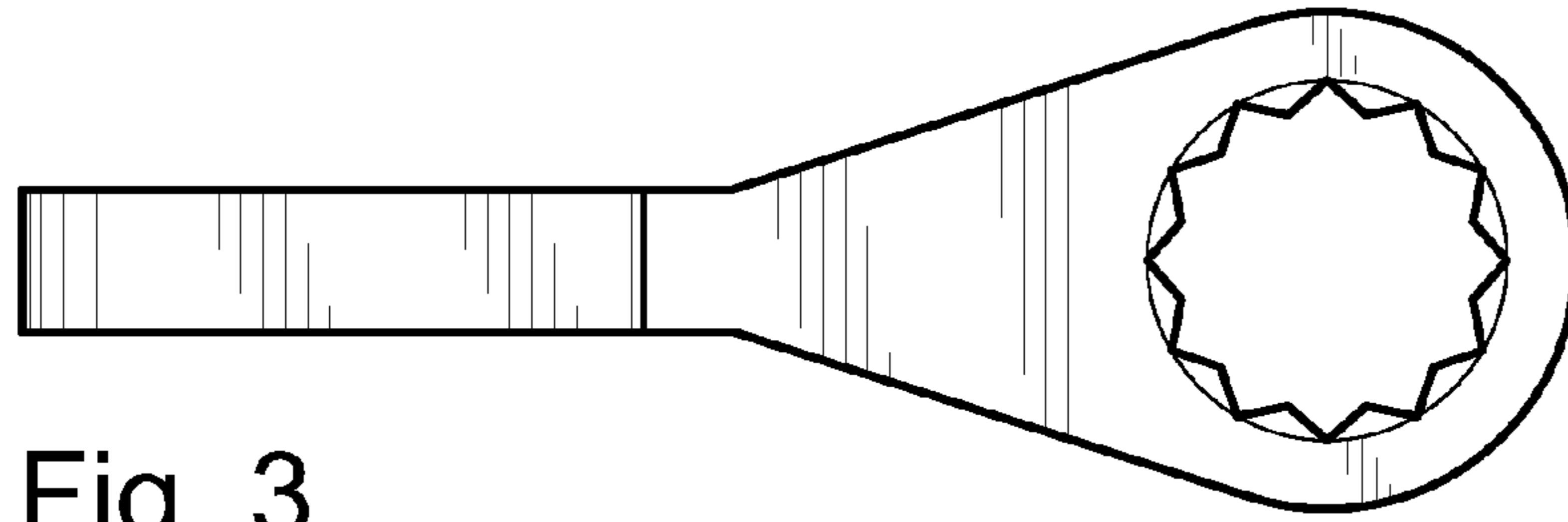


Fig. 3

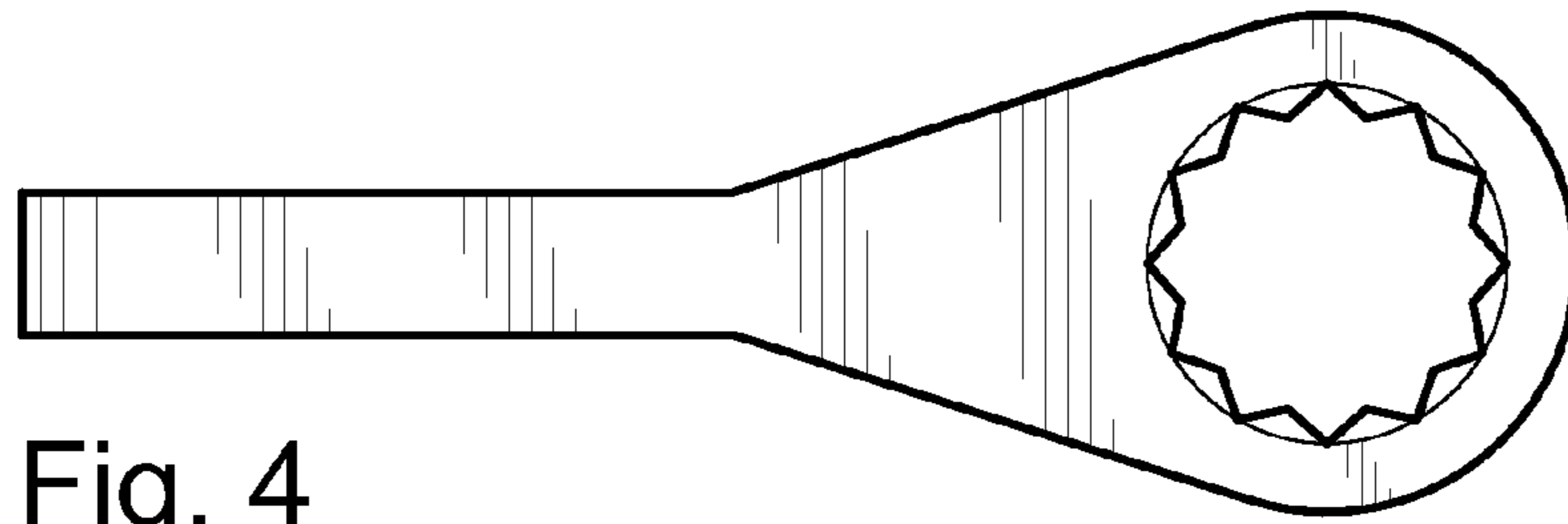


Fig. 4

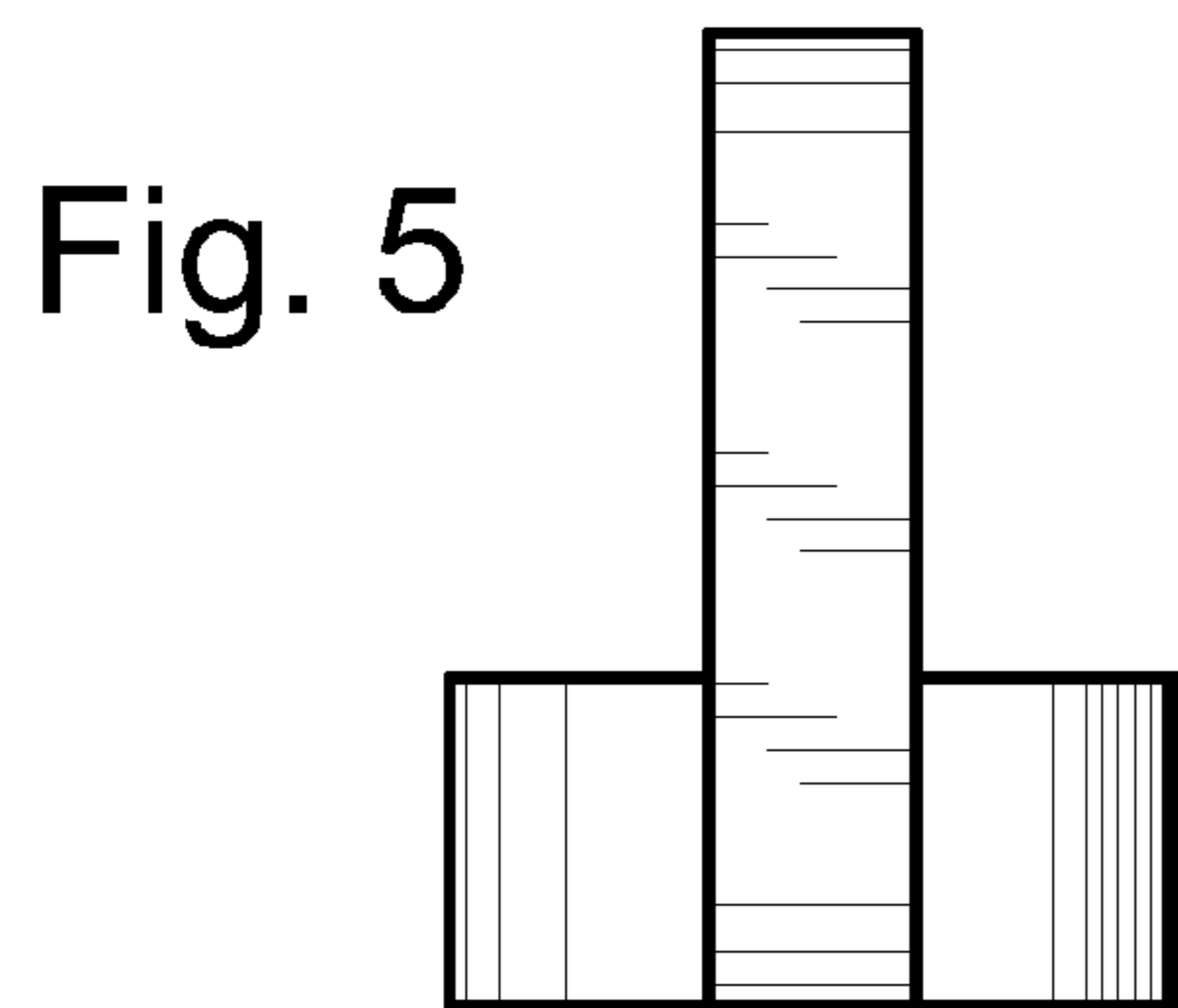


Fig. 5

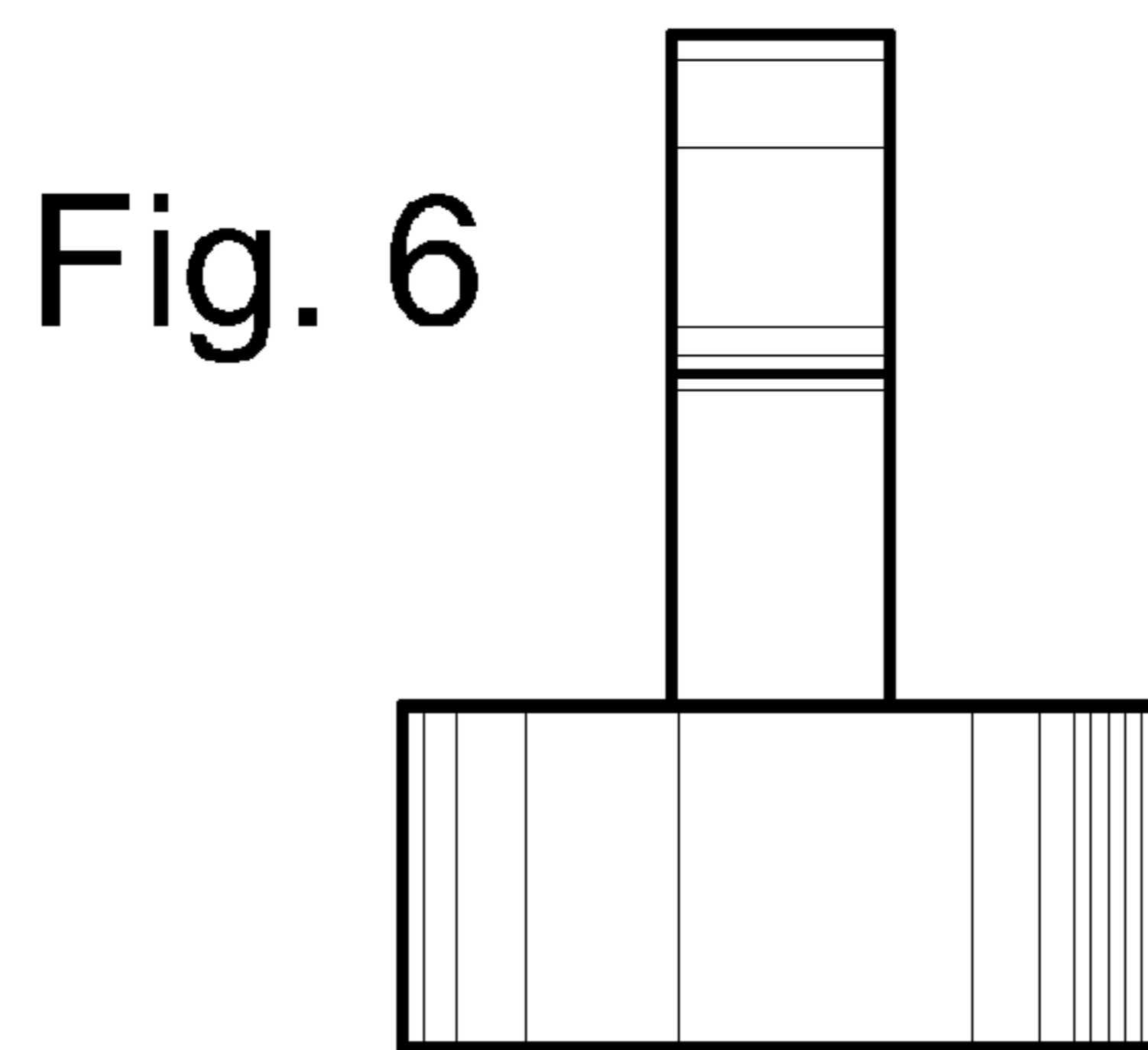


Fig. 6

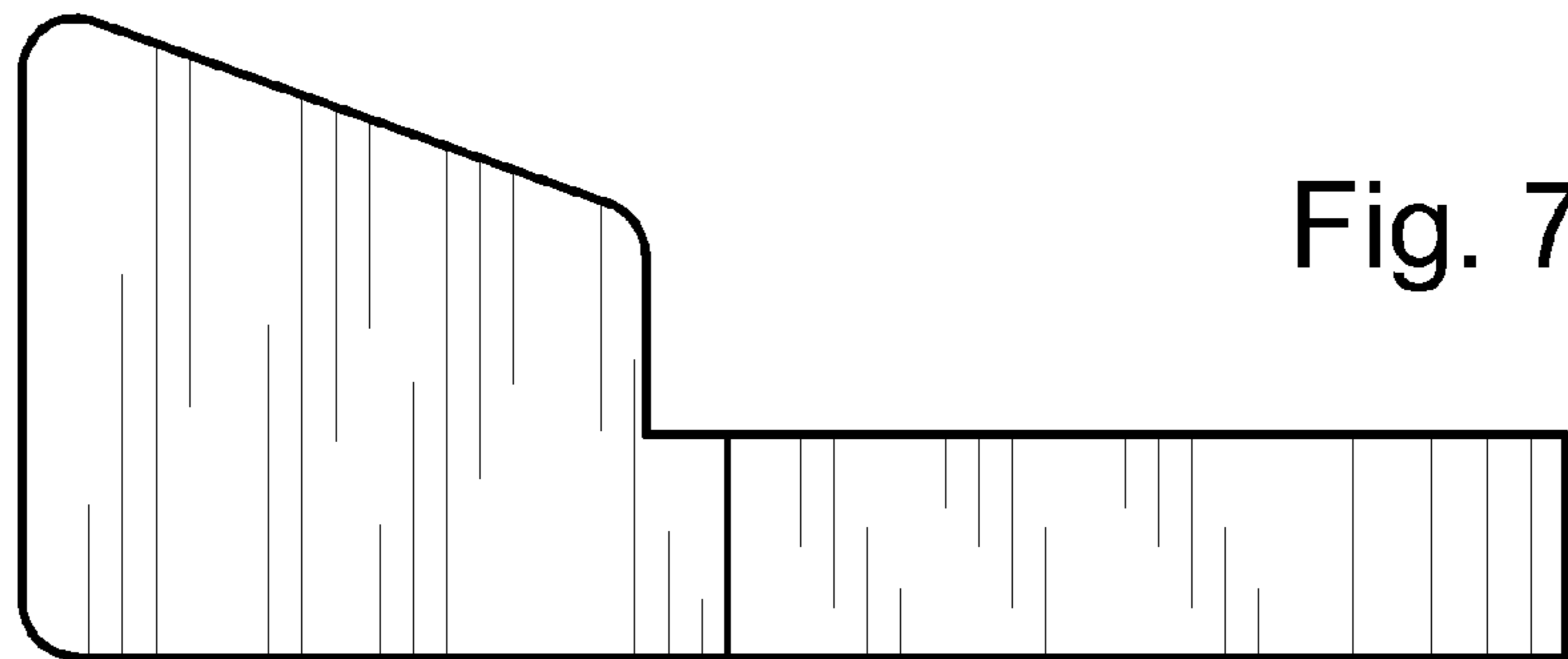


Fig. 7