

US00D661968S

(12) **United States Design Patent**
Han

(10) **Patent No.:** **US D661,968 S**

(45) **Date of Patent:** **** Jun. 19, 2012**

(54) **CABINET KNOB**

(75) **Inventor:** **Kukjin Han**, High Point, NC (US)

(73) **Assignee:** **Hardware Resources, Inc.**, Bossier City, LA (US)

(**) **Term:** **14 Years**

(21) **Appl. No.:** **29/374,073**

(22) **Filed:** **Jun. 29, 2011**

(51) **LOC (9) Cl.** **08-06**

(52) **U.S. Cl.** **D8/307; D8/305**

(58) **Field of Classification Search** D8/300,
D8/305, 307, 310, 378, DIG. 1; 16/110.1,
16/412, 414, 415; D7/393, 394; D11/63,
D11/67, 95, 202, 204, 222, 223, 225; D99/11;
24/113 R, 113 MP, 114.05, 114.9; 63/20;
292/336.3; 428/28

See application file for complete search history.

(56) **References Cited**

U.S. PATENT DOCUMENTS

D195,824 S * 8/1963 Louis D8/310
D197,960 S * 4/1964 Heyer D8/307
D204,599 S * 5/1966 Adams D8/305

D204,741 S * 5/1966 Adams D8/305
D204,870 S * 5/1966 Adams D8/305
D215,695 S * 10/1969 Loeb D8/307
D470,740 S * 2/2003 Fields D8/310
D541,130 S * 4/2007 Fields D8/310
D574,212 S * 8/2008 Jou D8/305

* cited by examiner

Primary Examiner — Paula Greene

(74) *Attorney, Agent, or Firm* — Schultz & Associates, P.C.

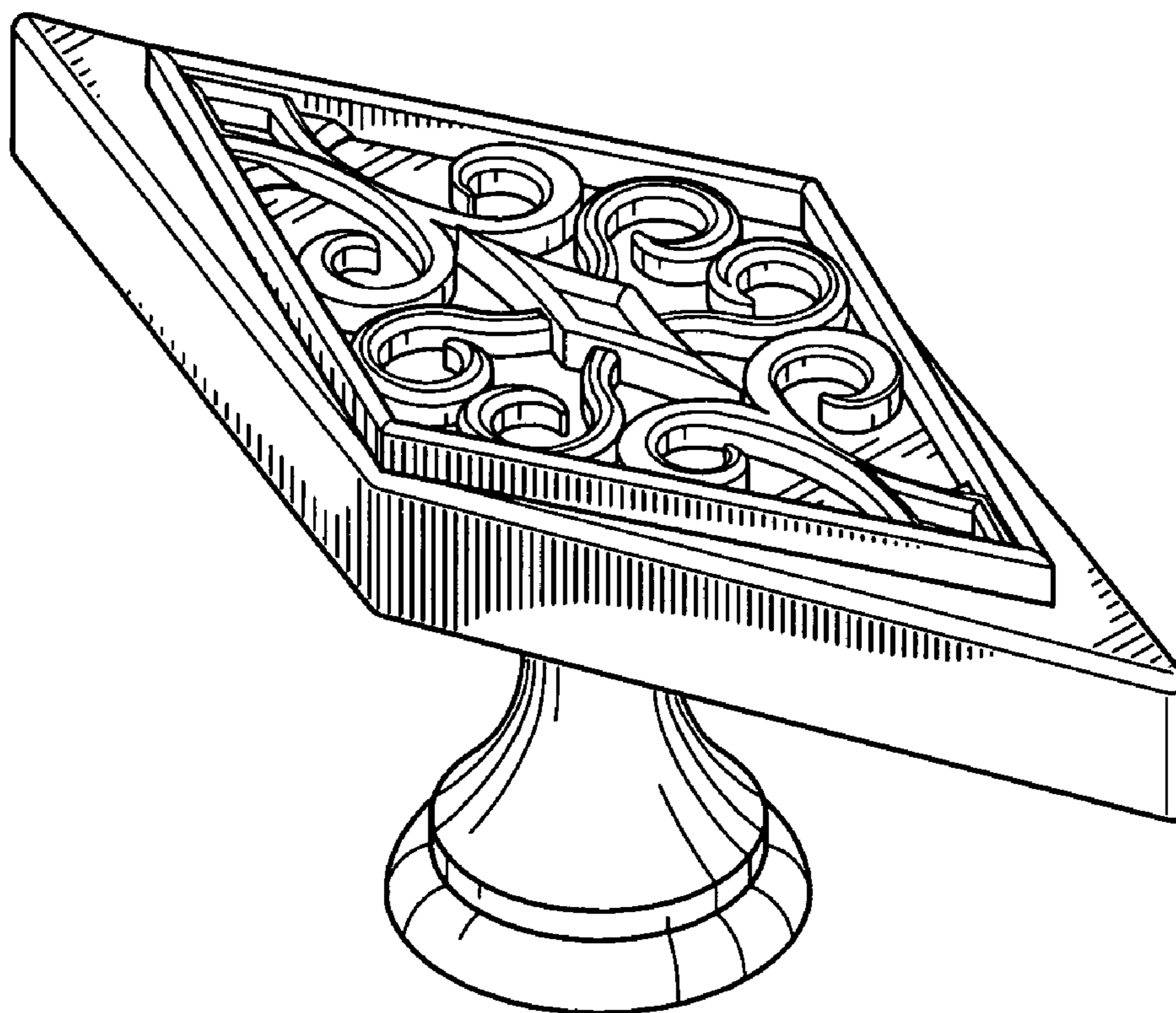
(57) **CLAIM**

The ornamental design for a cabinet knob, as shown and described.

DESCRIPTION

FIG. 1 is a perspective view of a cabinet knob showing my new design;
FIG. 2 is a side elevation view thereof;
FIG. 3 is a side elevation view thereof;
FIG. 4 is a top plan view thereof; and,
FIG. 5 is a bottom plan view thereof.
The broken lines shown represent unclaimed subject matter and form no part of the claimed design.

1 Claim, 2 Drawing Sheets



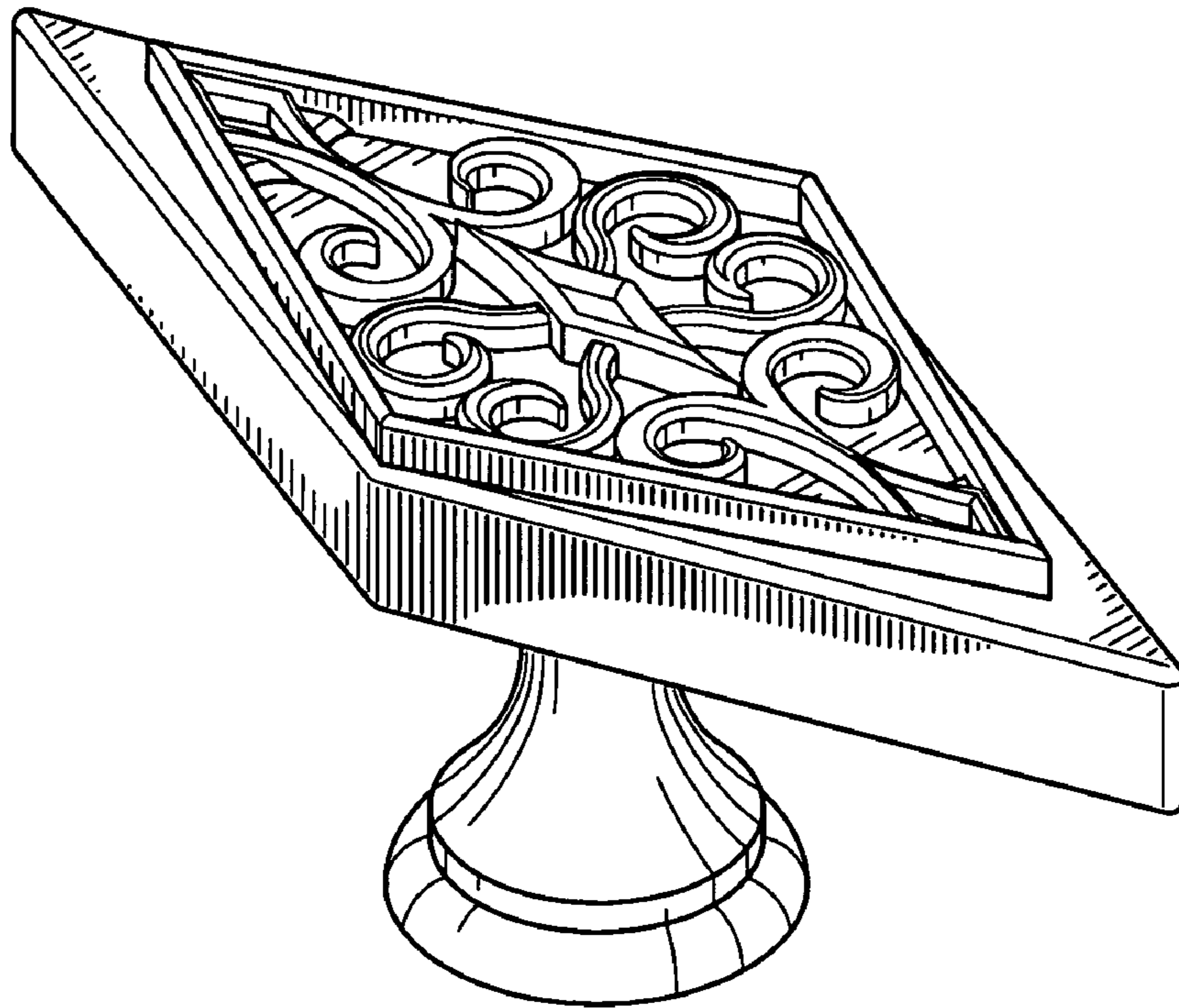


FIG. 1

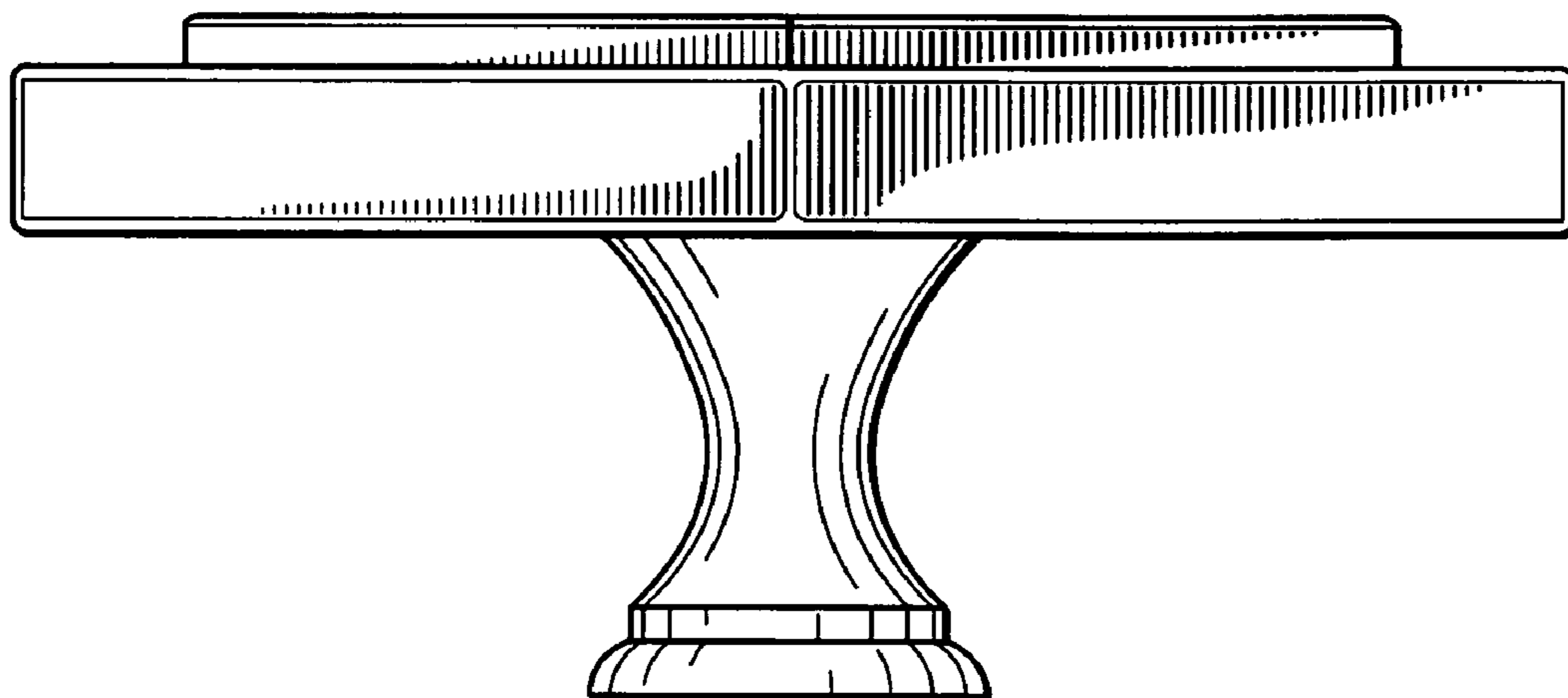


FIG. 2

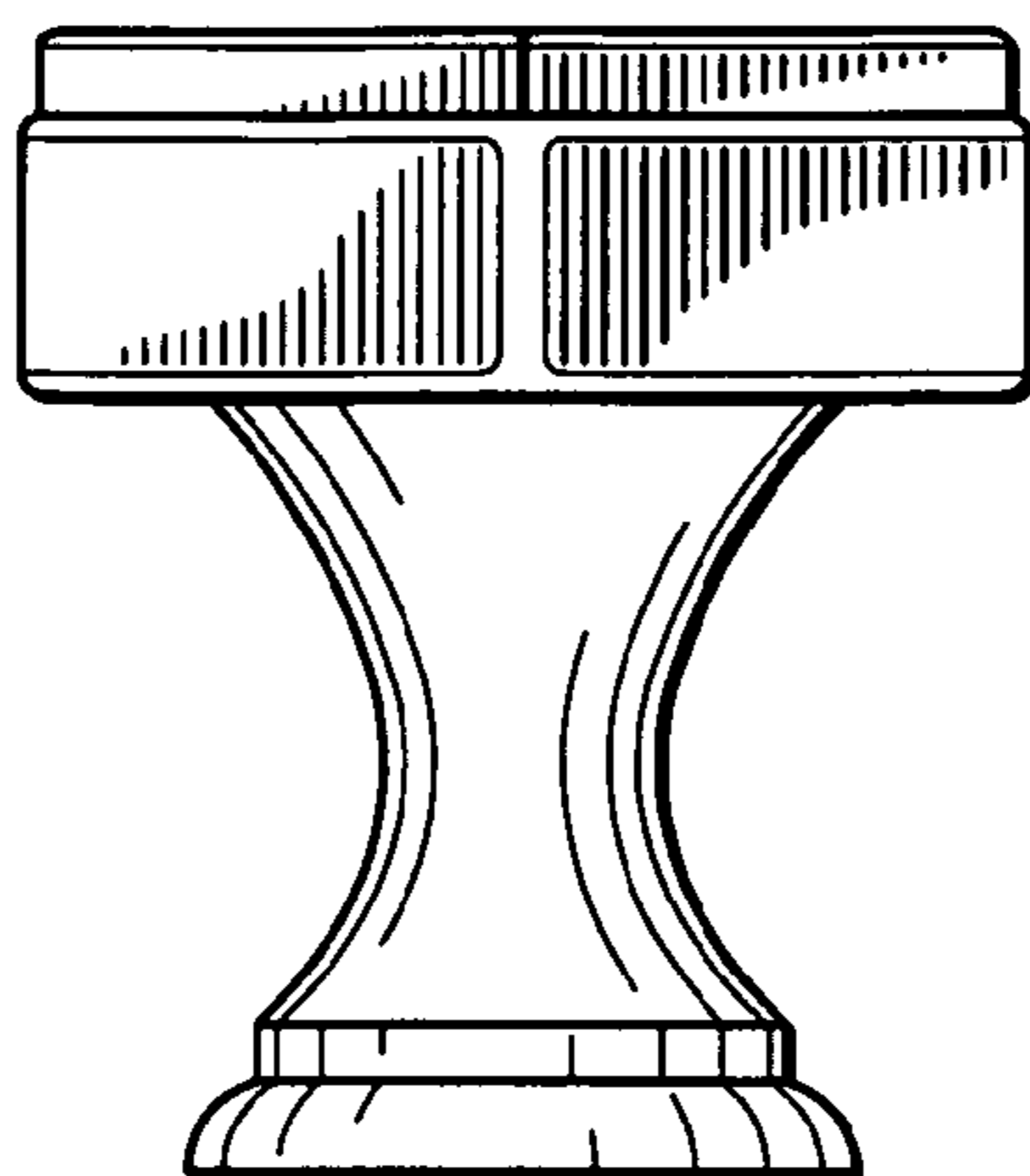


FIG. 3

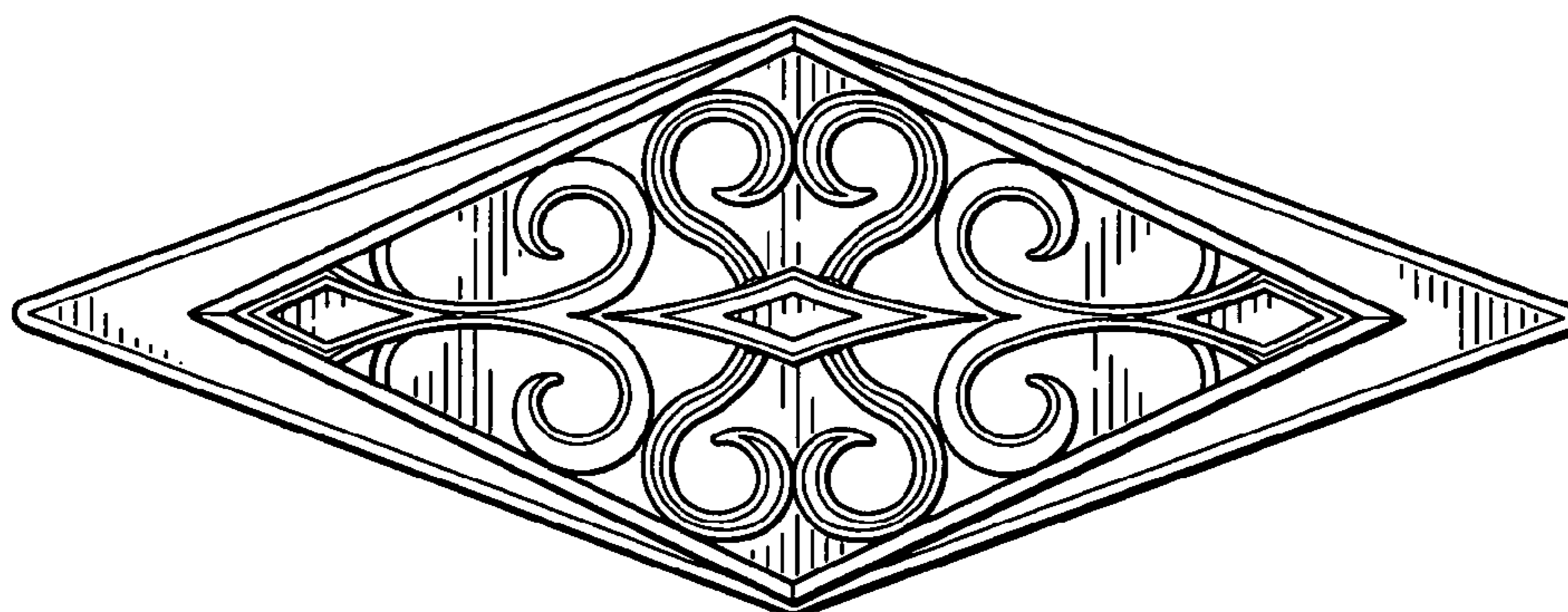


FIG. 4

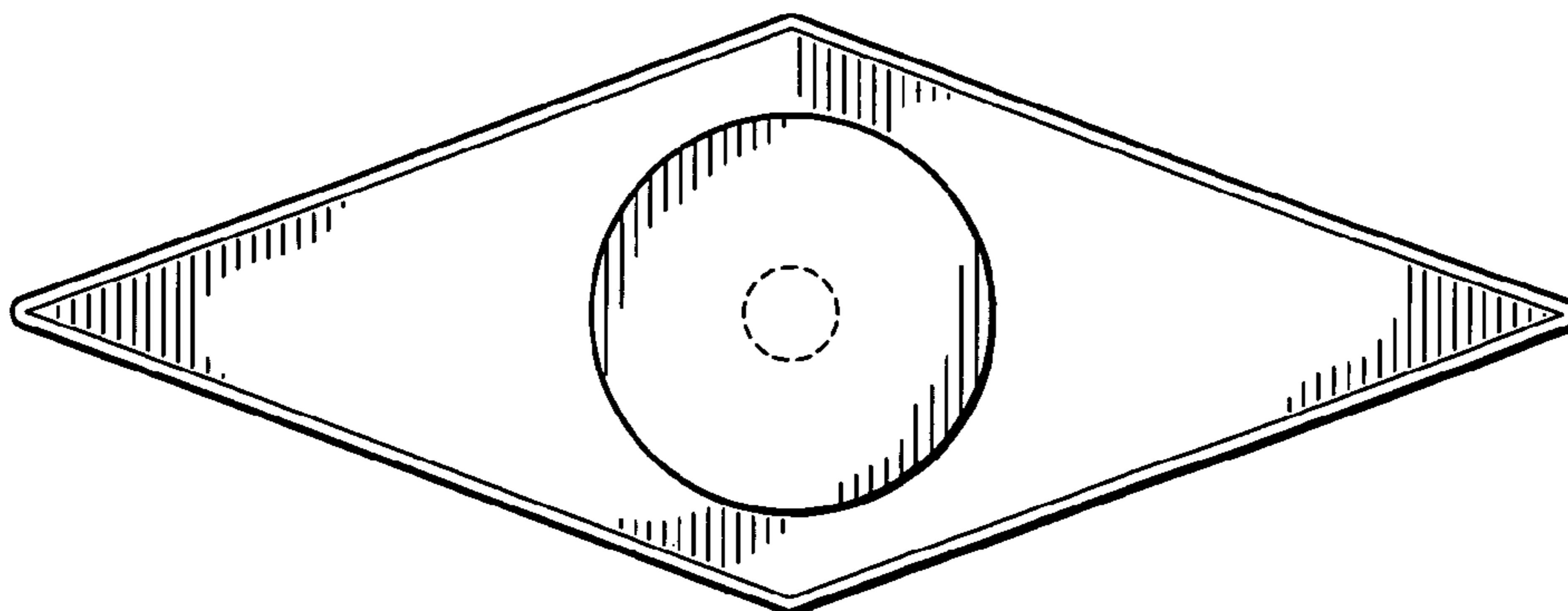


FIG. 5