

US00D661967S

(12) **United States Design Patent**
Han

(10) **Patent No.:** **US D661,967 S**

(45) **Date of Patent:** **** Jun. 19, 2012**

(54) **CABINET KNOB**

(75) Inventor: **Kukjin Han**, High Point, NC (US)

(73) Assignee: **Hardware Resources, Inc.**, Bossier City, LA (US)

(**) Term: **14 Years**

(21) Appl. No.: **29/374,064**

(22) Filed: **Jun. 30, 2011**

(51) **LOC (9) Cl.** **08-06**

(52) **U.S. Cl.** **D8/307; D8/305**

(58) **Field of Classification Search** D8/300,
D8/305, 307, 310, 378, DIG. 1; 16/110.1,
16/412, 414, 415; D7/393, 394; D99/11;
D11/63, 67, 99, 202, 204, 222, 223, 225;
24/113 R, 113 MP, 114.05, 114.9; 63/20;
292/336.3; 428/28

See application file for complete search history.

(56) **References Cited**

U.S. PATENT DOCUMENTS

D70,745 S * 8/1926 Dlouhy D8/378
D80,095 S * 12/1929 Smith D8/378
D189,084 S * 10/1960 Kjellgren D8/319

D205,885 S * 10/1966 Morgan D8/307
D208,148 S * 7/1967 Morgan D8/307
D504,060 S * 4/2005 Shyu et al. D8/378
D574,212 S * 8/2008 Jou D8/305
D580,252 S * 11/2008 Hoernig D8/310
D646,550 S * 10/2011 Owens D8/305

* cited by examiner

Primary Examiner — Paula Greene

(74) *Attorney, Agent, or Firm* — Schultz & Associates, P.C.

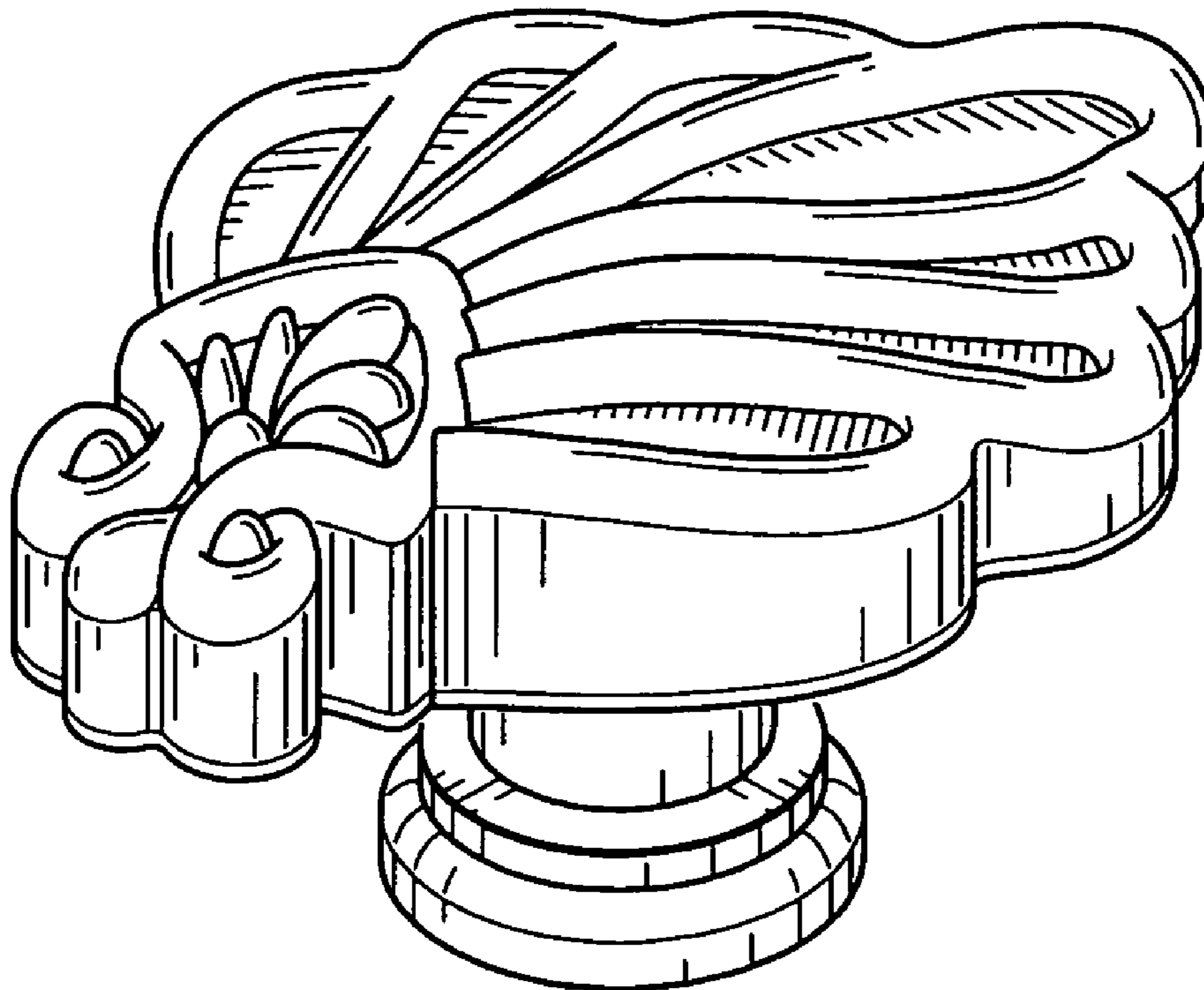
(57) **CLAIM**

The ornamental design for a cabinet knob, as shown and described.

DESCRIPTION

FIG. 1 is a perspective view of a cabinet knob showing my new design;
FIG. 2 is a side elevation view thereof;
FIG. 3 is a side elevation view thereof
FIG. 4 is a top plan view thereof; and,
FIG. 5 is a bottom plan view thereof.
The broken lines shown represent unclaimed subject matter and form no part of the claimed design.

1 Claim, 2 Drawing Sheets



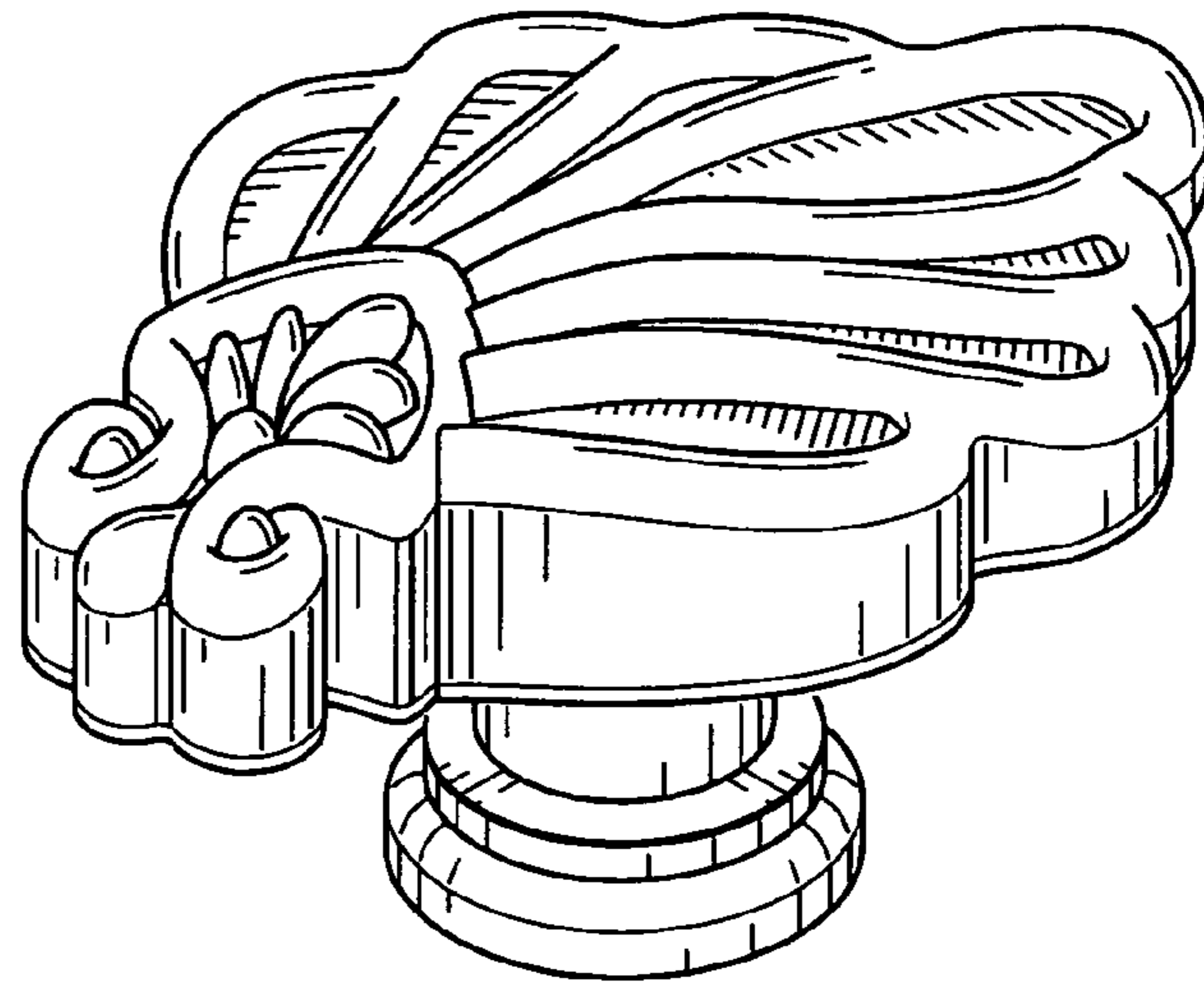


FIG. 1

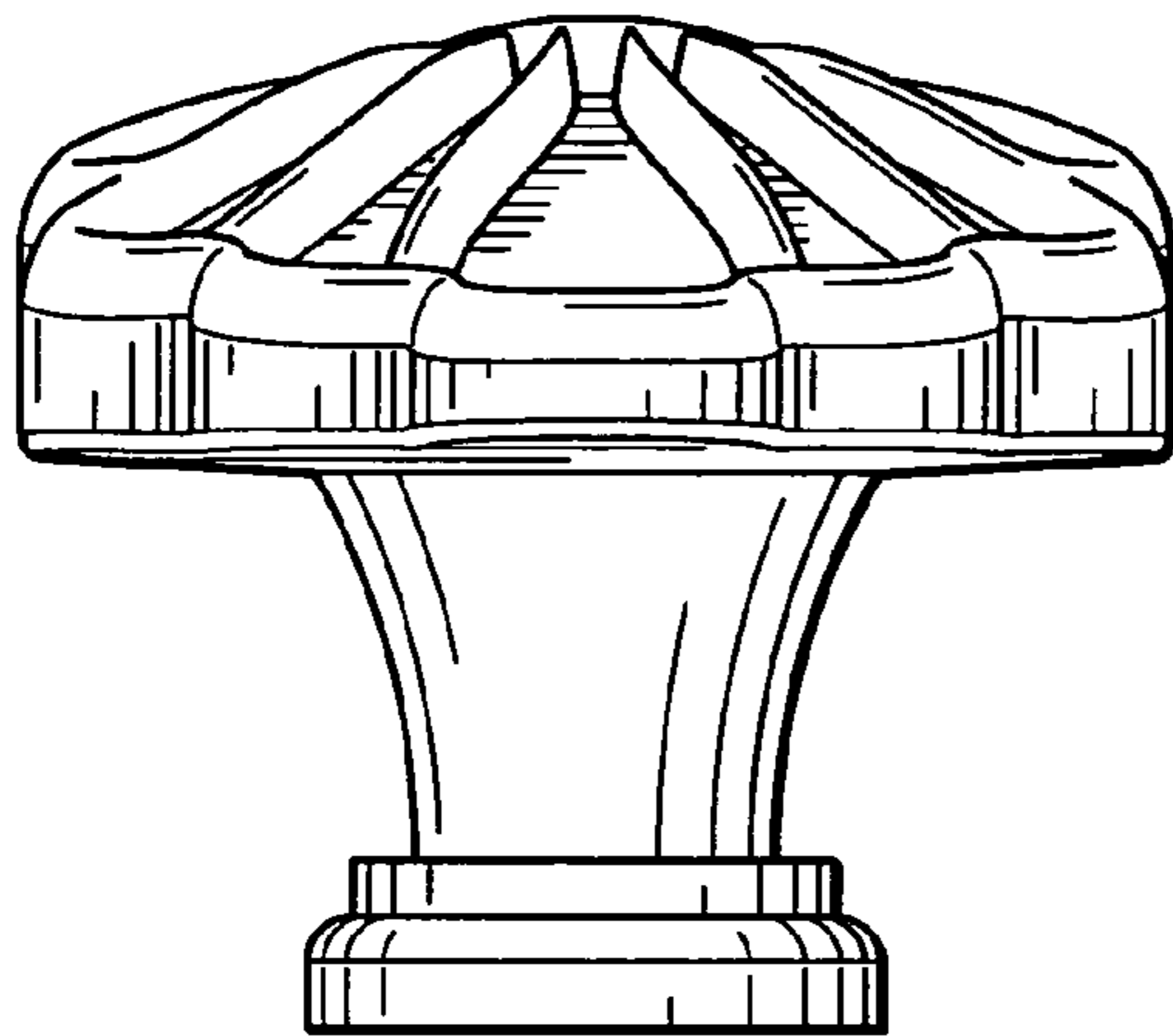


FIG. 2

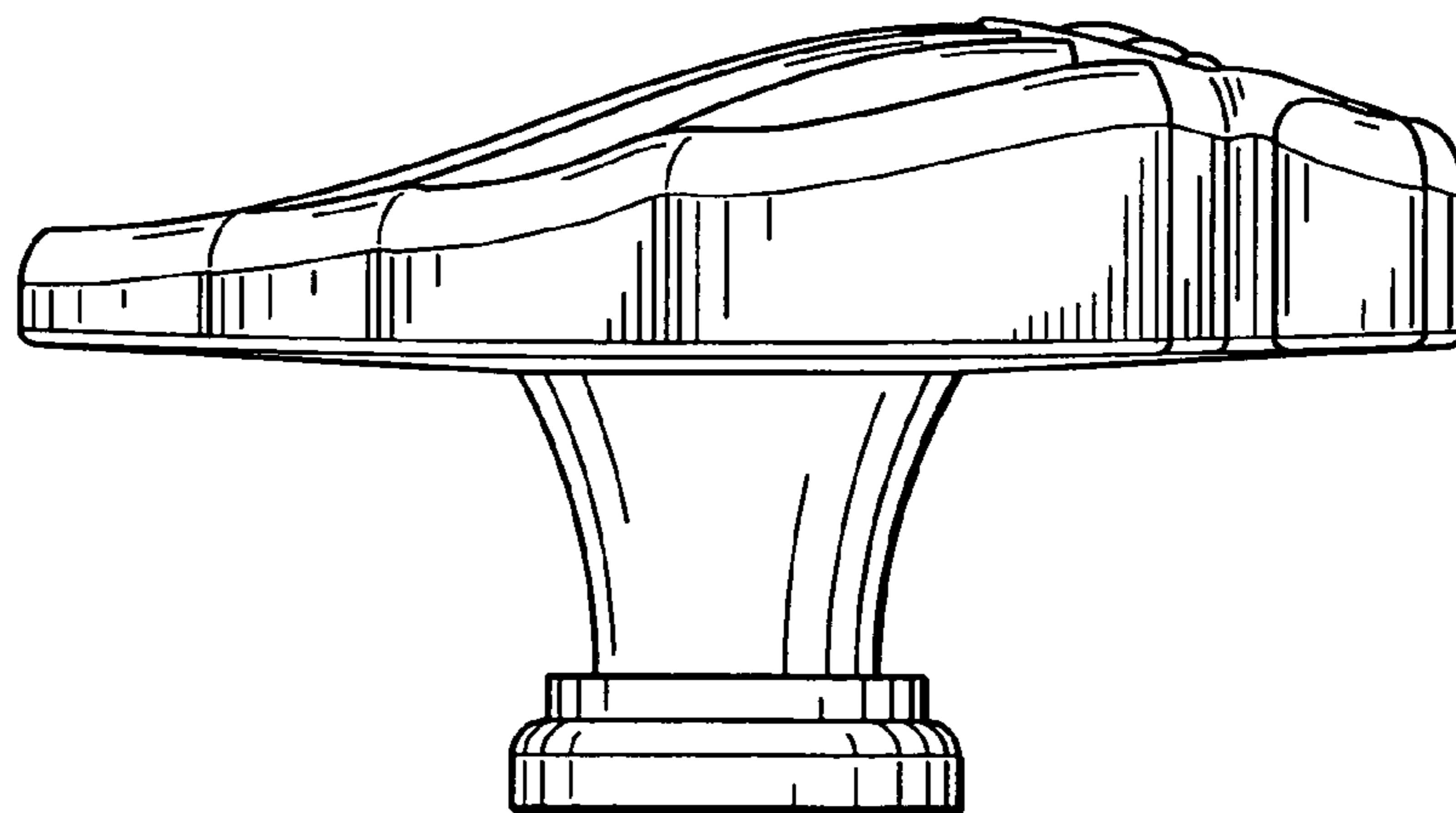


FIG. 3

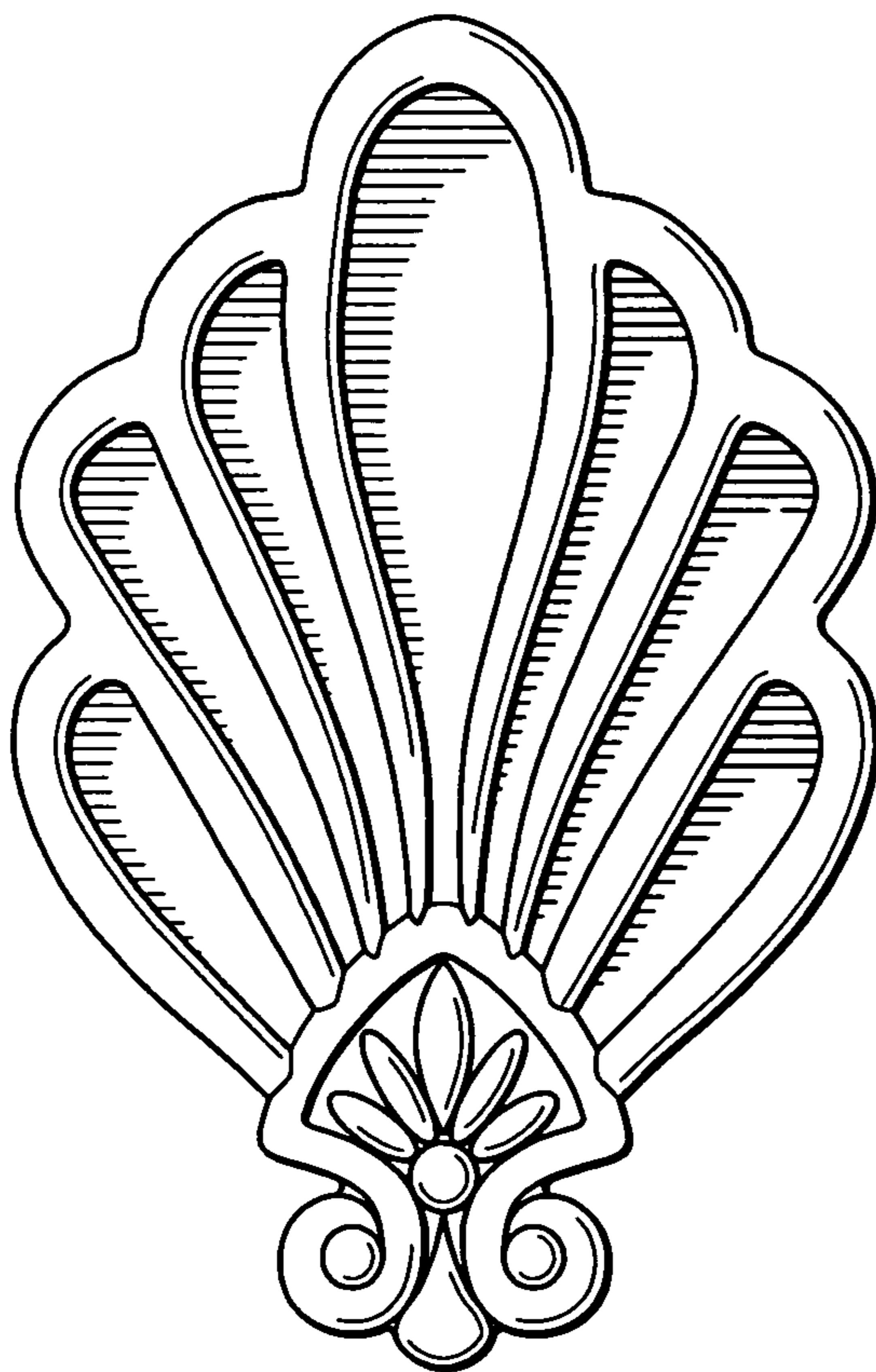


FIG. 4

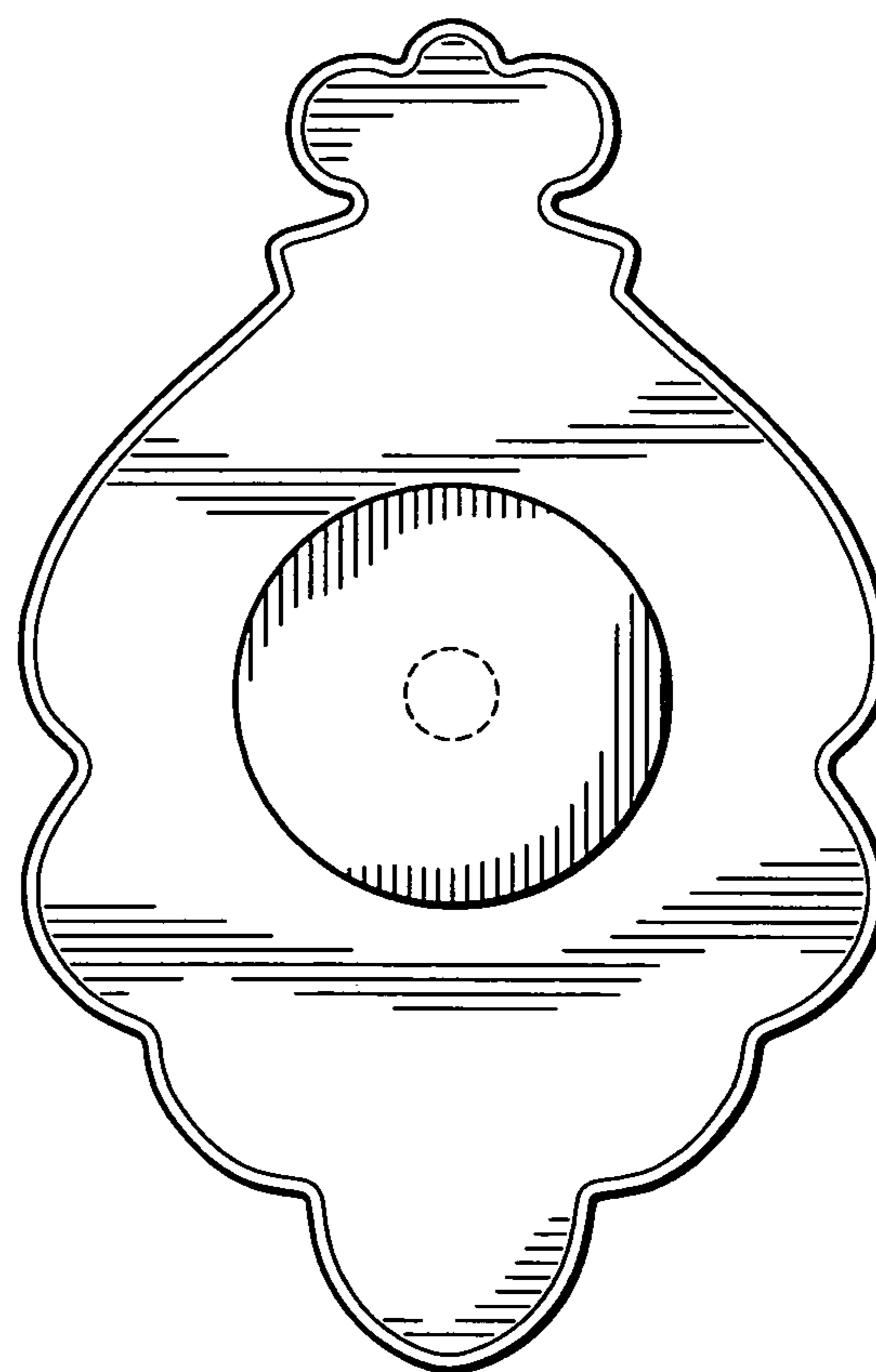


FIG. 5