

US00D661965S

(12) **United States Design Patent**  
**Han**

(10) **Patent No.:** **US D661,965 S**

(45) **Date of Patent:** **\*\* Jun. 19, 2012**

(54) **CABINET KNOB**

(75) Inventor: **Kukjin Han**, High Point, NC (US)

(73) Assignee: **Hardware Resources, Inc.**, Bossier City, LA (US)

(\*\*) Term: **14 Years**

(21) Appl. No.: **29/374,081**

(22) Filed: **Jun. 30, 2011**

(51) **LOC (9) Cl.** ..... **08-06**

(52) **U.S. Cl.** ..... **D8/305; D8/310**

(58) **Field of Classification Search** ..... D8/300,  
D8/305, 307, 310, 315, 316, 317, 318, 319,  
D8/DIG. 1, DIG. 2, 378; 16/110.1, 412;  
D7/393, 394; D6/549, 550, 524, 533; D23/250,  
D23/254; D99/11; 292/336.3  
See application file for complete search history.

(56) **References Cited**

**U.S. PATENT DOCUMENTS**

D214,867 S \* 8/1969 Holmes et al. .... D8/310  
D411,795 S \* 7/1999 O'Neil ..... D8/307

D445,016 S \* 7/2001 Dewald et al. .... D8/307  
D501,390 S \* 2/2005 Fields ..... D8/310  
D502,381 S \* 3/2005 Fields ..... D8/310  
D568,139 S \* 5/2008 Hanes ..... D8/312  
D587,555 S \* 3/2009 Krumpe et al. .... D8/310  
D587,981 S \* 3/2009 Mattson et al. .... D8/310

\* cited by examiner

*Primary Examiner* — Paula Greene

(74) *Attorney, Agent, or Firm* — Schultz & Associates, P.C.

(57) **CLAIM**

The ornamental design for a cabinet knob, as shown and described.

**DESCRIPTION**

FIG. 1 is a perspective view of a cabinet knob showing my new design;

FIG. 2 is a side elevation view thereof;

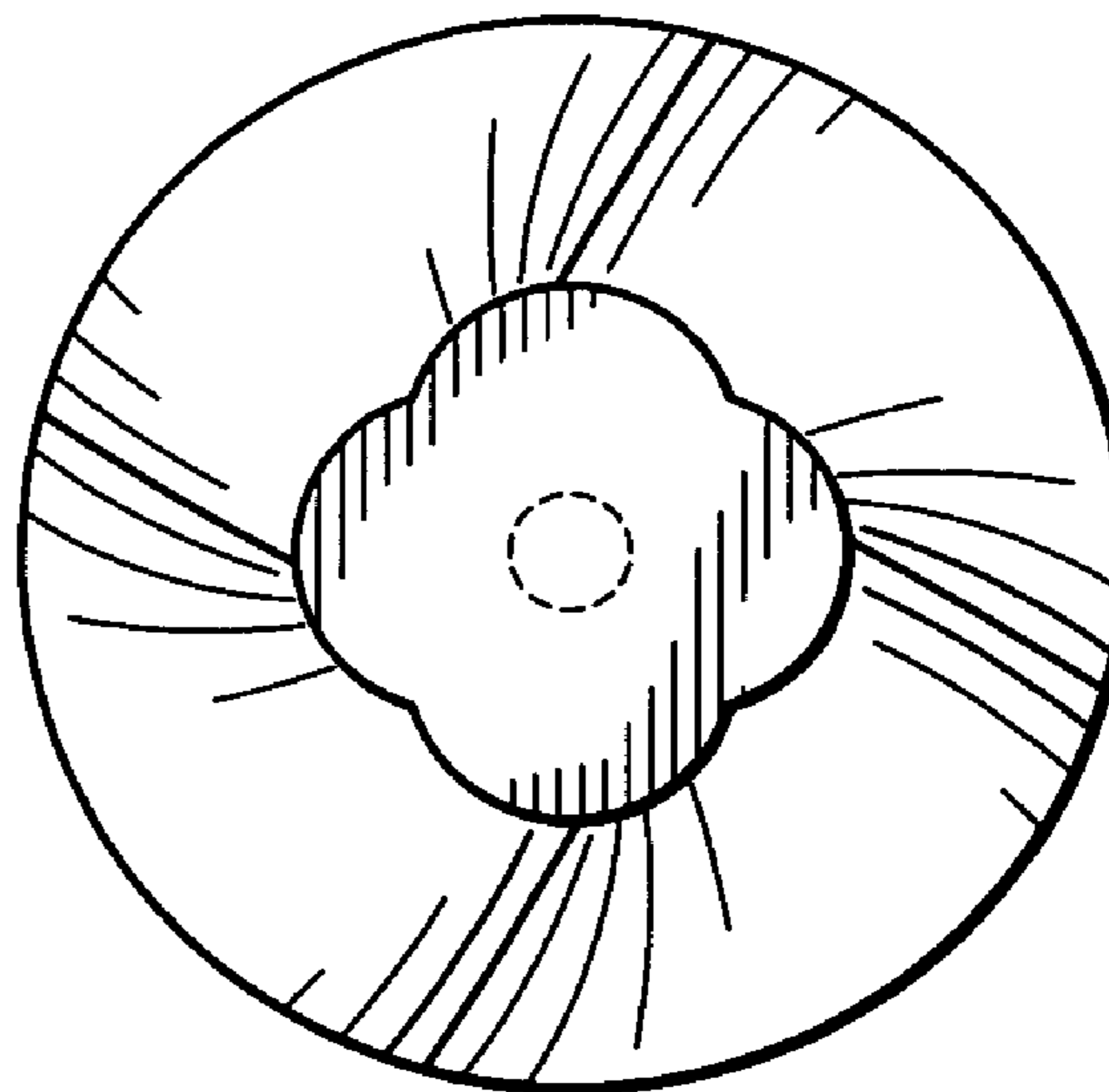
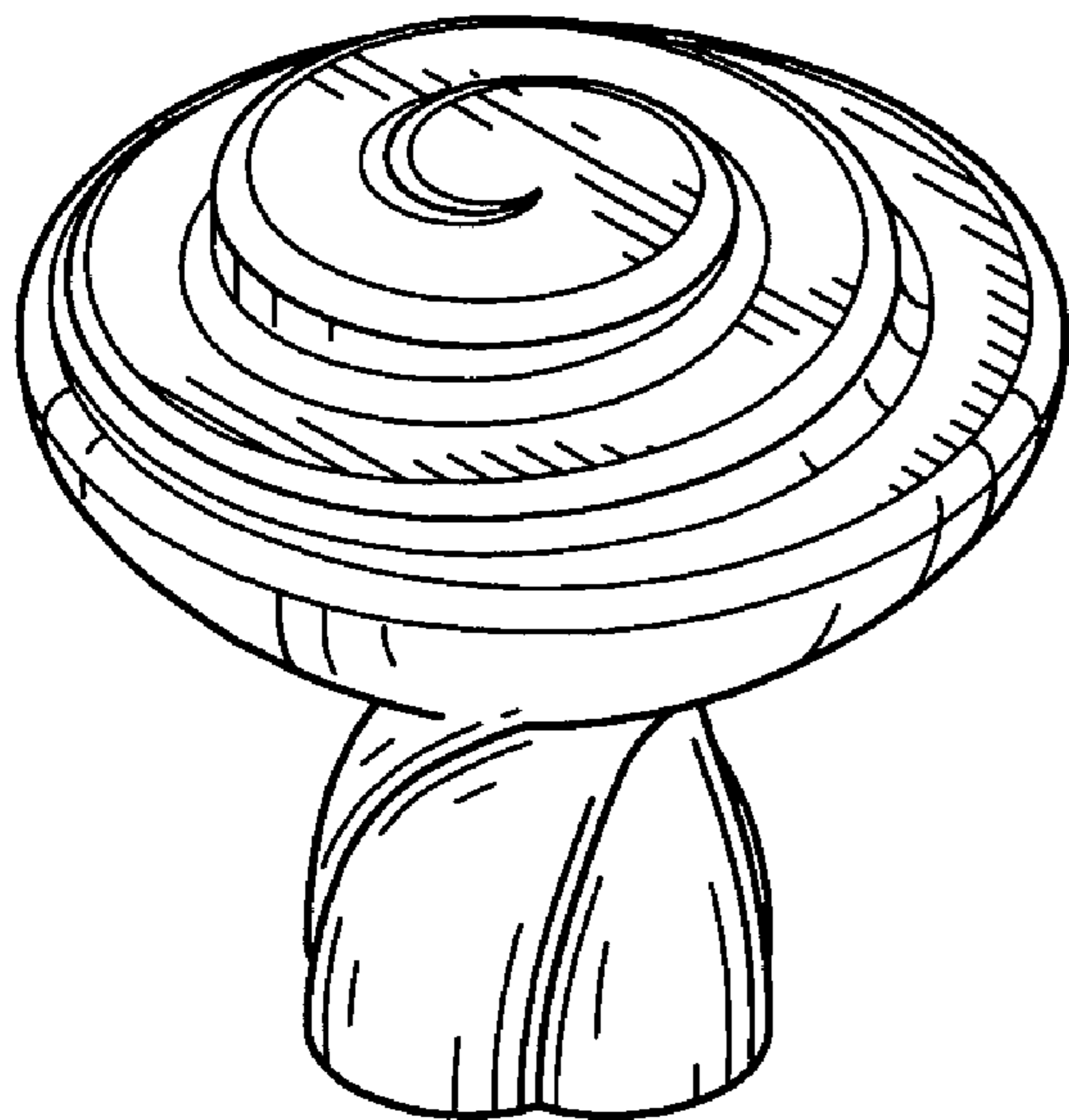
FIG. 3 is a side elevation view thereof;

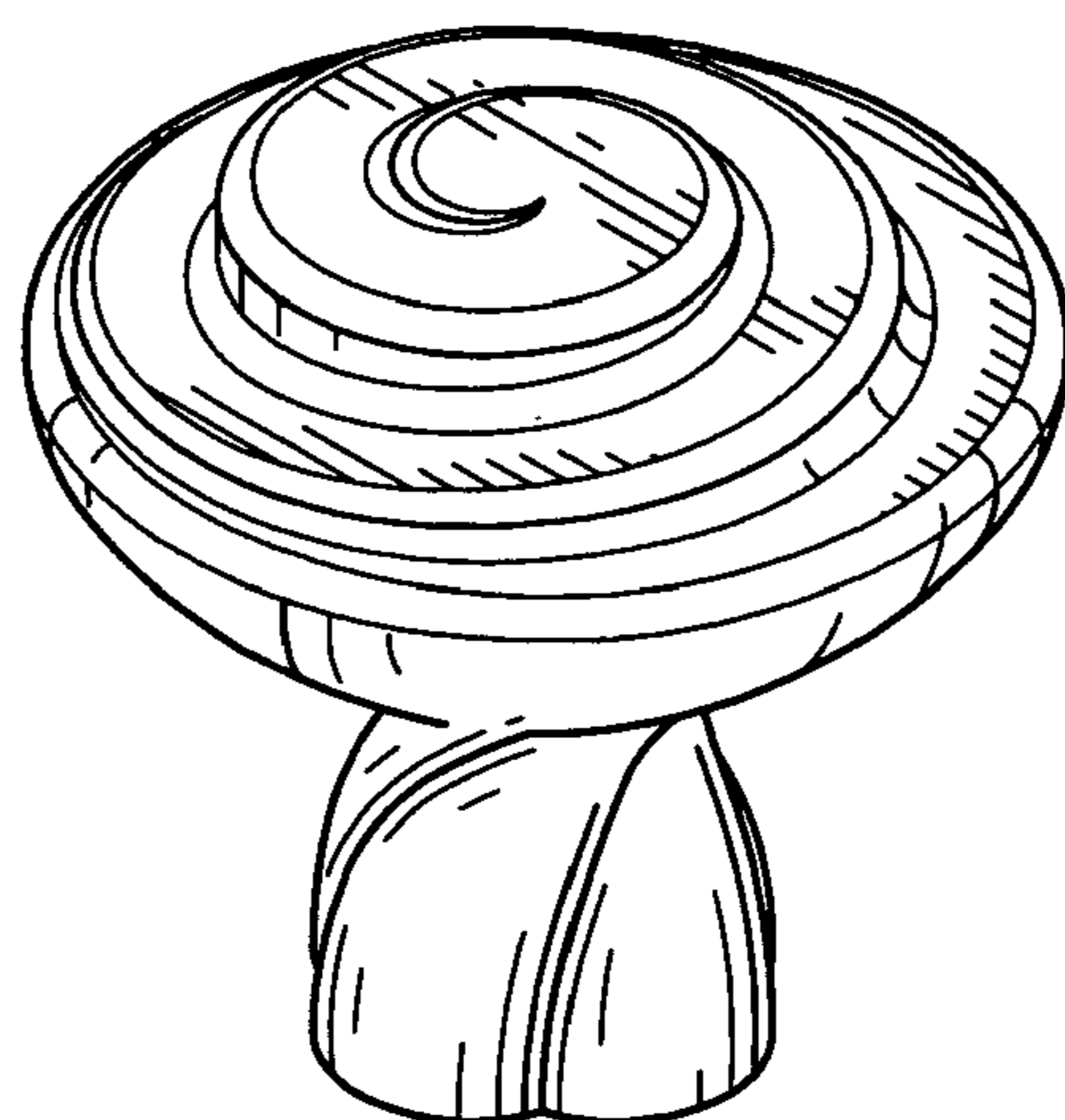
FIG. 4 is a top plan view thereof; and,

FIG. 5 is a bottom plan view thereof.

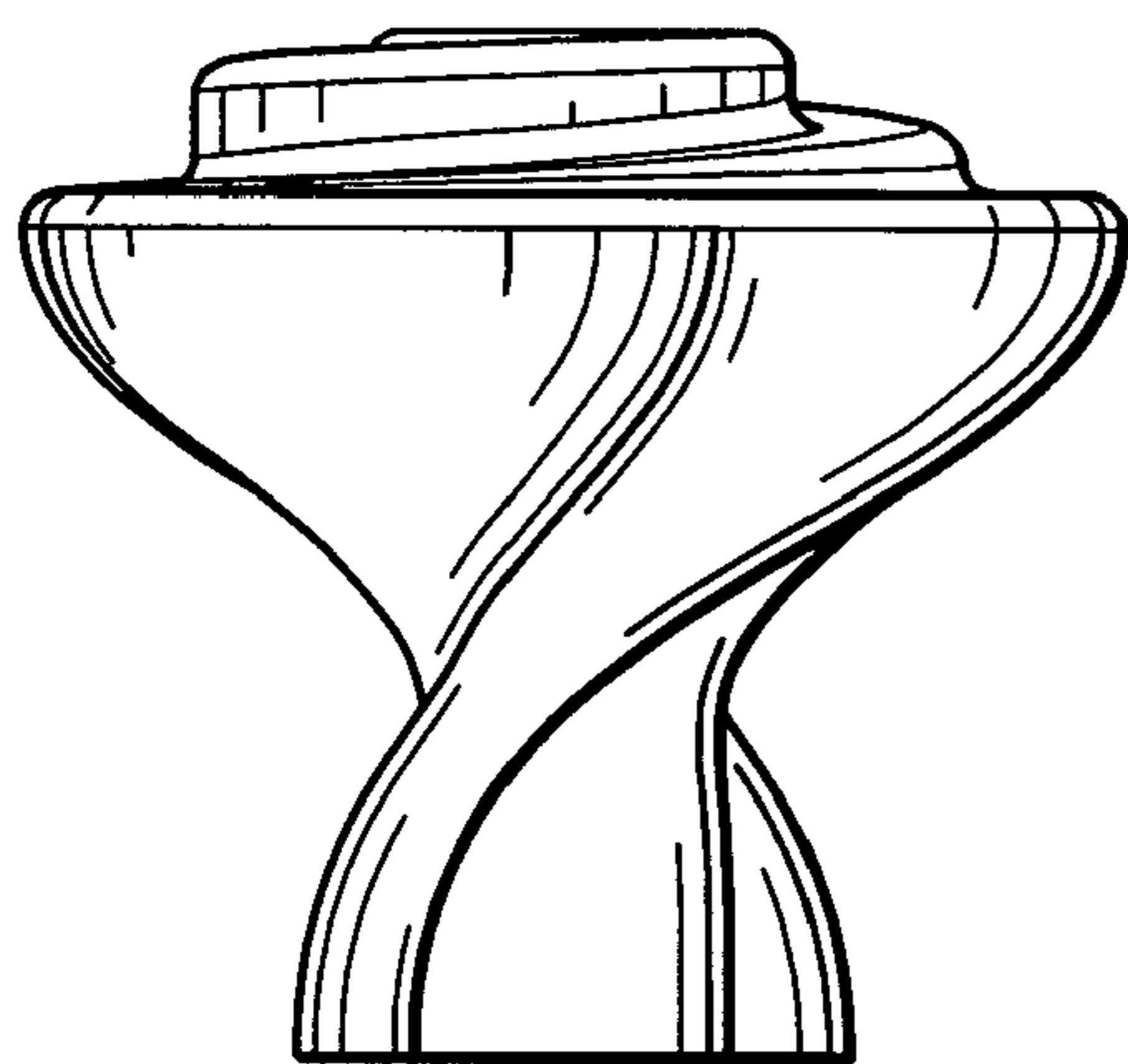
The broken lines shown represent unclaimed subject matter and form no part of the claimed design.

**1 Claim, 1 Drawing Sheet**

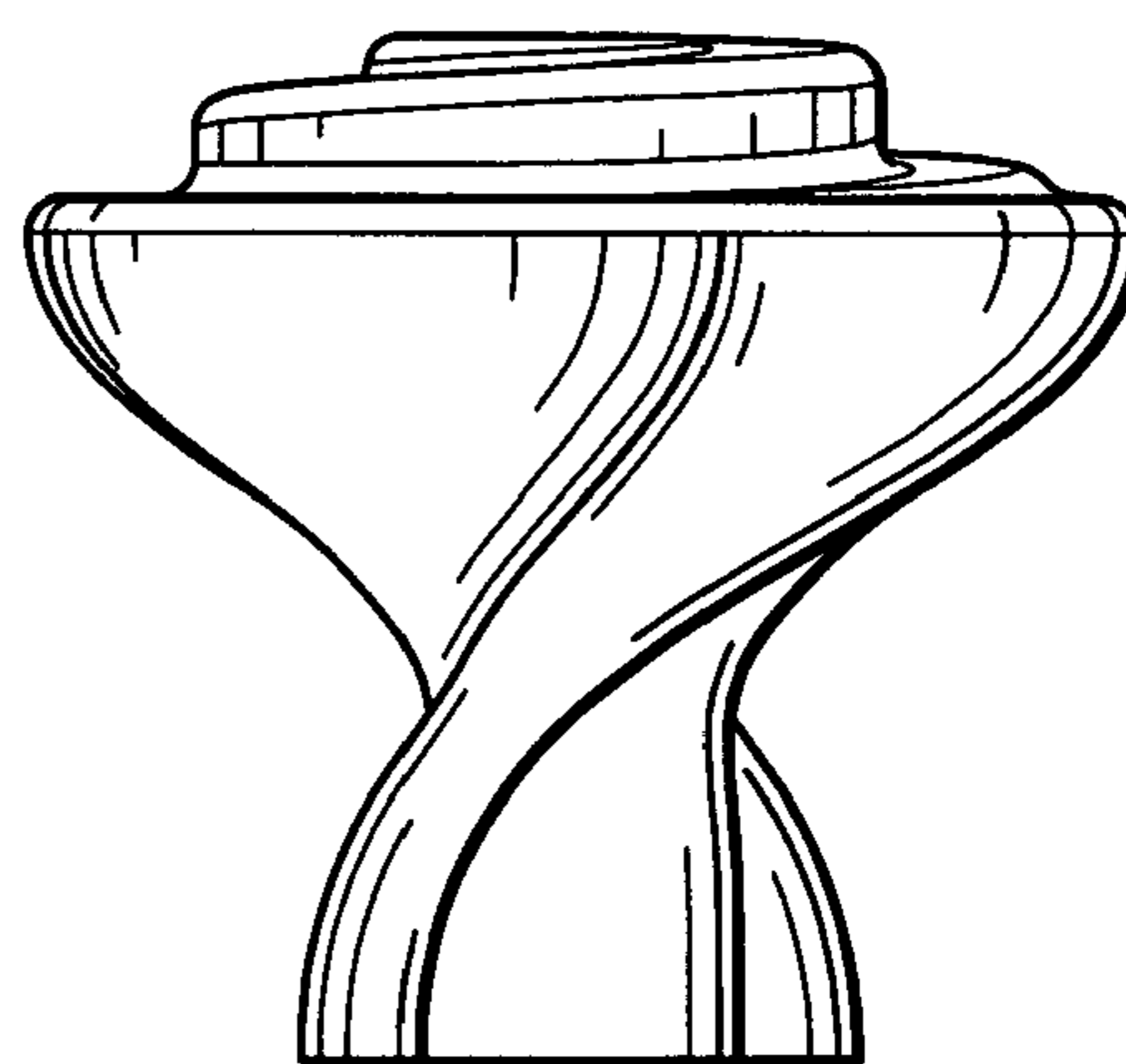




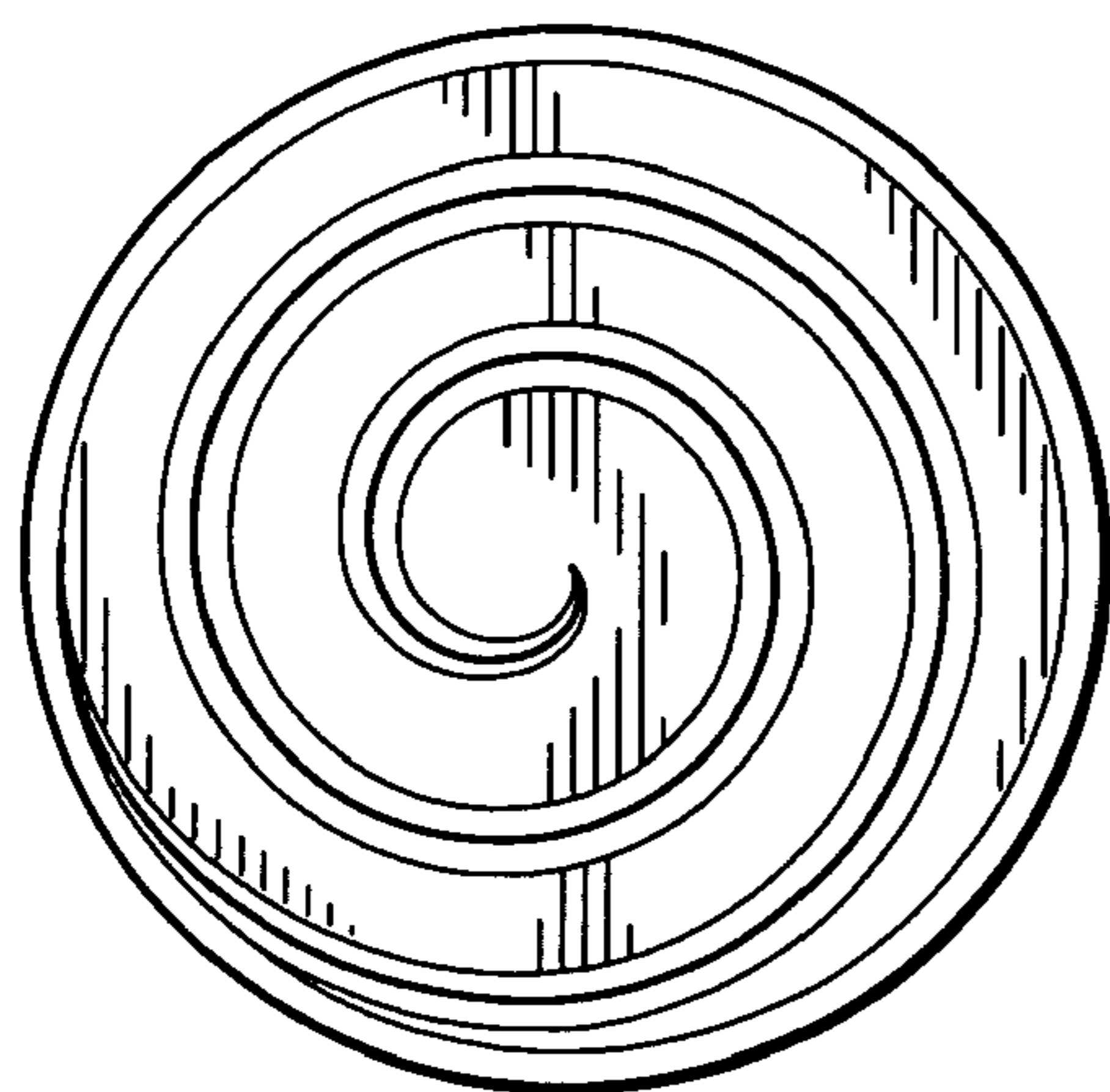
*FIG. 1*



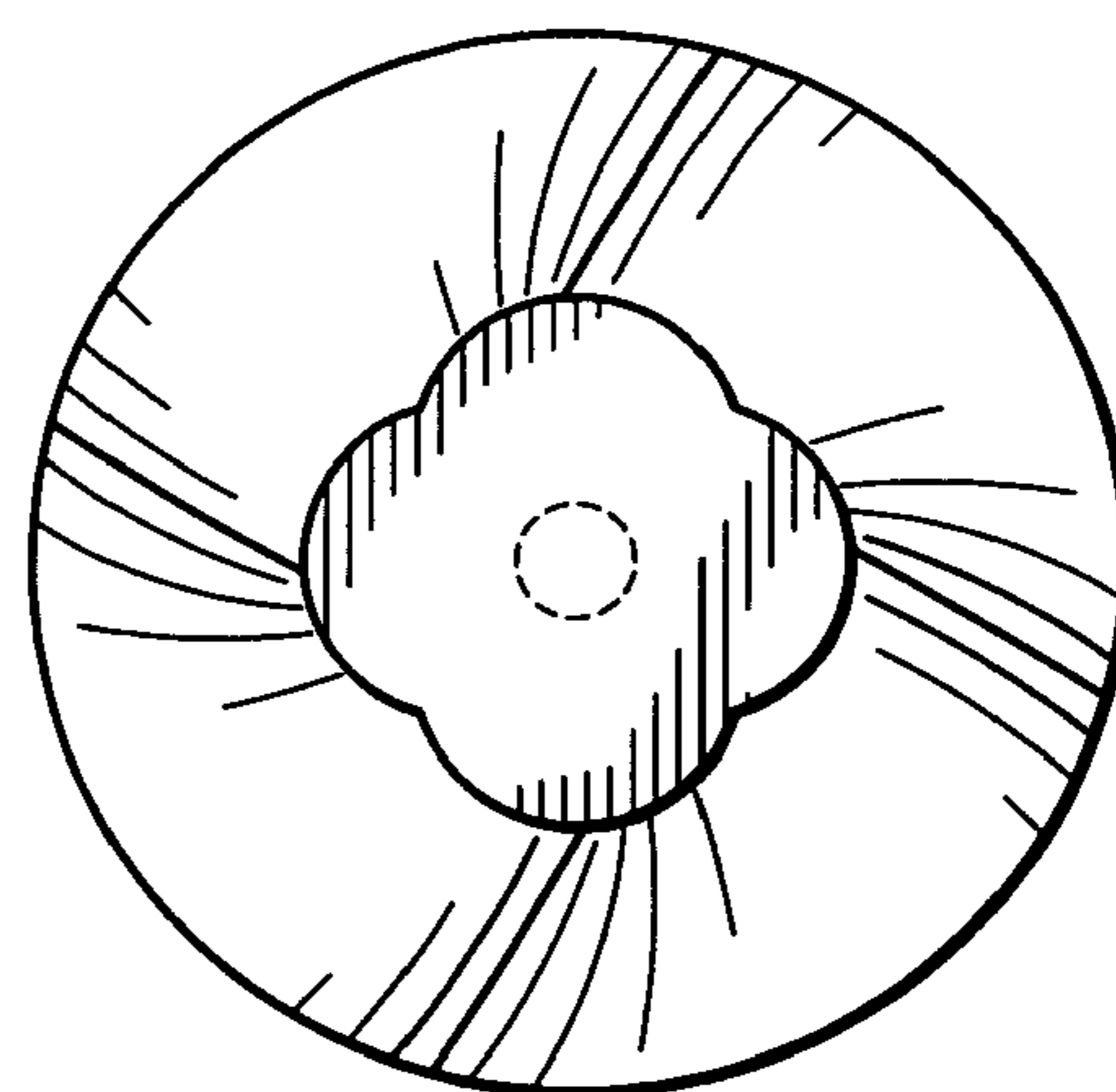
*FIG. 2*



*FIG. 3*



*FIG. 4*



*FIG. 5*