



US00D661958S

(12) **United States Design Patent**  
**Pizzeta**

(10) **Patent No.:** **US D661,958 S**  
(45) **Date of Patent:** **\*\* Jun. 19, 2012**

(54) **HOE**  
(76) Inventor: **Arry Pizzeta**, Erval Grande (BR)  
(\*\*) Term: **14 Years**  
(21) Appl. No.: **29/368,464**  
(22) Filed: **Aug. 24, 2010**  
(51) **LOC (9) Cl.** ..... **08-01**  
(52) **U.S. Cl.** ..... **D8/11; D8/9**  
(58) **Field of Classification Search** ..... D8/6, 9,  
D8/11, 13; 172/372, 375, 378, 380, 376;  
7/114-116; 56/400.01, 400.04  
See application file for complete search history.

(56) **References Cited**

U.S. PATENT DOCUMENTS

32,982	A *	8/1861	Crapo	172/380
54,087	A *	4/1866	Allen	172/376
137,755	A *	4/1873	Barnes	172/380
197,956	A *	12/1877	Walker	172/375
499,251	A *	6/1893	Rocky	172/380
1,169,284	A *	1/1916	Potter	172/375
D163,501	S *	5/1951	Weidig	D8/6
D208,987	S *	10/1967	Anderson	D8/9
D293,875	S *	1/1988	Roper	D8/6
5,004,053	A *	4/1991	Martell	172/375
D344,221	S *	2/1994	Allbright	D8/11
D349,835	S *	8/1994	Brinson	D8/11
D353,752	S *	12/1994	Page	D8/11
D359,891	S *	7/1995	Hiller	D8/9
D379,141	S *	5/1997	Cleghorn	D8/9
D383,951	S *	9/1997	Dutchak	D8/11
D384,867	S *	10/1997	Willis	D8/13
D474,659	S *	5/2003	Sulier	D8/9
D496,841	S *	10/2004	Baynard	D8/11
D501,380	S *	2/2005	Sandoval	D8/11

\* cited by examiner

*Primary Examiner* — Sheryl Lane  
(74) *Attorney, Agent, or Firm* — Arent Fox LLP

(57) **CLAIM**  
The ornamental design for a hoe, as shown and described.

**DESCRIPTION**

FIG. 1 is a perspective view of a first embodiment of a hoe according to my new design;

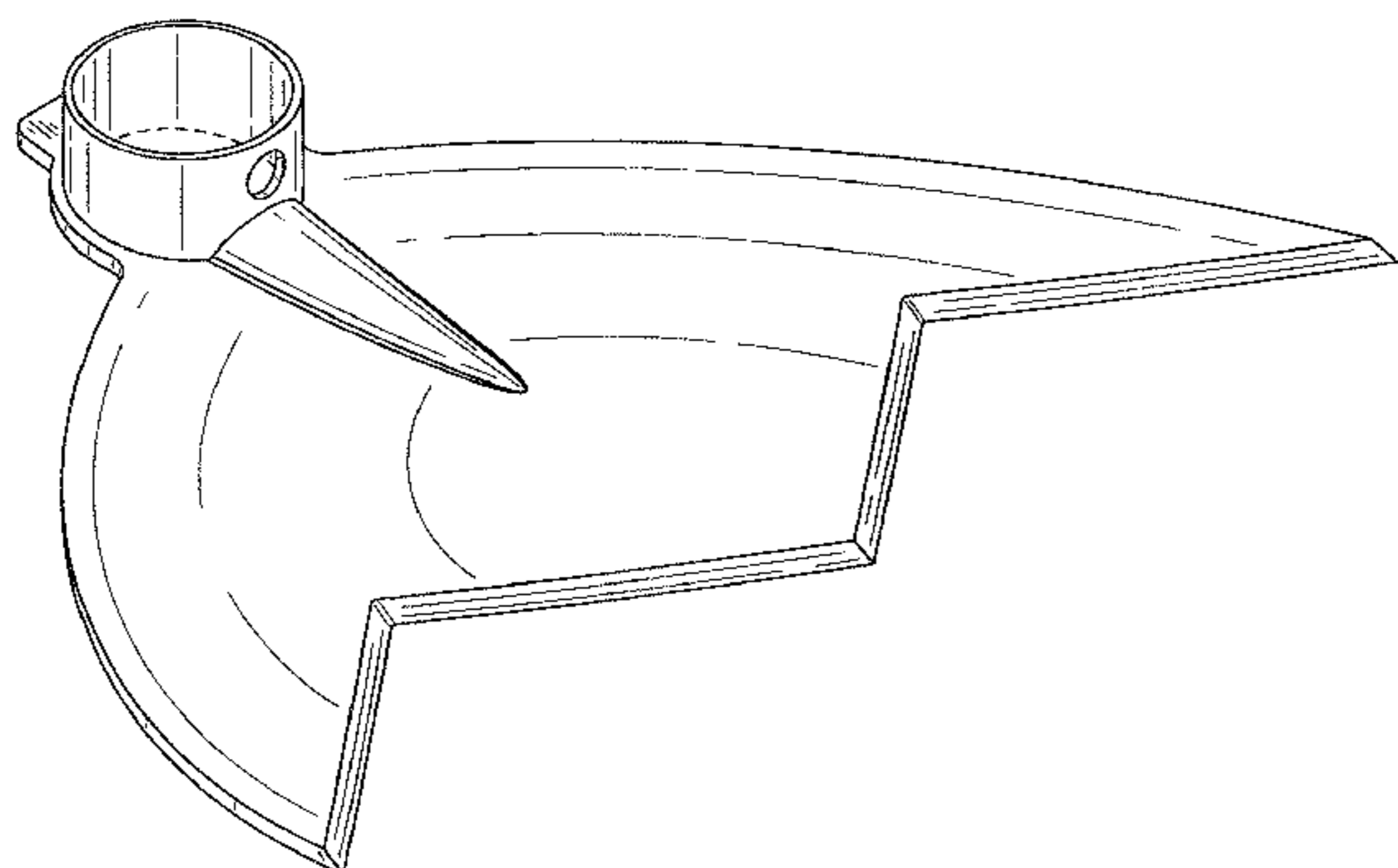


FIG. 2 is a frontal view thereof;  
FIG. 3 is a rear view thereof;  
FIG. 4 is a right side view thereof;  
FIG. 5 is a left lateral view thereof;  
FIG. 6 is a top view thereof;  
FIG. 7 is a bottom view thereof;  
FIG. 8 is a perspective view of the second embodiment of the hoe;  
FIG. 9 is a front view thereof;  
FIG. 10 is a rear view thereof;  
FIG. 11 is a right side view thereof;  
FIG. 12 is a left lateral view thereof;  
FIG. 13 is a top view thereof;  
FIG. 14 is a bottom view thereof;  
FIG. 15 is a perspective view of a third embodiment of the hoe;  
FIG. 16 is a front view thereof;  
FIG. 17 is a rear view thereof;  
FIG. 18 is a right side view thereof;  
FIG. 19 is a left lateral view thereof;  
FIG. 20 is a top view thereof;  
FIG. 21 is a bottom view thereof;  
FIG. 22 is a perspective view of a fourth embodiment of the hoe;  
FIG. 23 is a front view thereof;  
FIG. 24 is a rear view thereof;  
FIG. 25 is a right side view thereof;  
FIG. 26 is a left lateral view thereof;  
FIG. 27 is a top view thereof;  
FIG. 28 is a bottom view thereof;  
FIG. 29 is a perspective view of a fifth embodiment of the hoe;  
FIG. 30 is a front view thereof;  
FIG. 31 is a rear view thereof;  
FIG. 32 is a right side view thereof;  
FIG. 33 is a left lateral view thereof;  
FIG. 34 is a top view thereof;  
FIG. 35 is a bottom view thereof;  
FIG. 36 is a perspective view of a sixth embodiment of the hoe;  
FIG. 37 is a front view thereof;

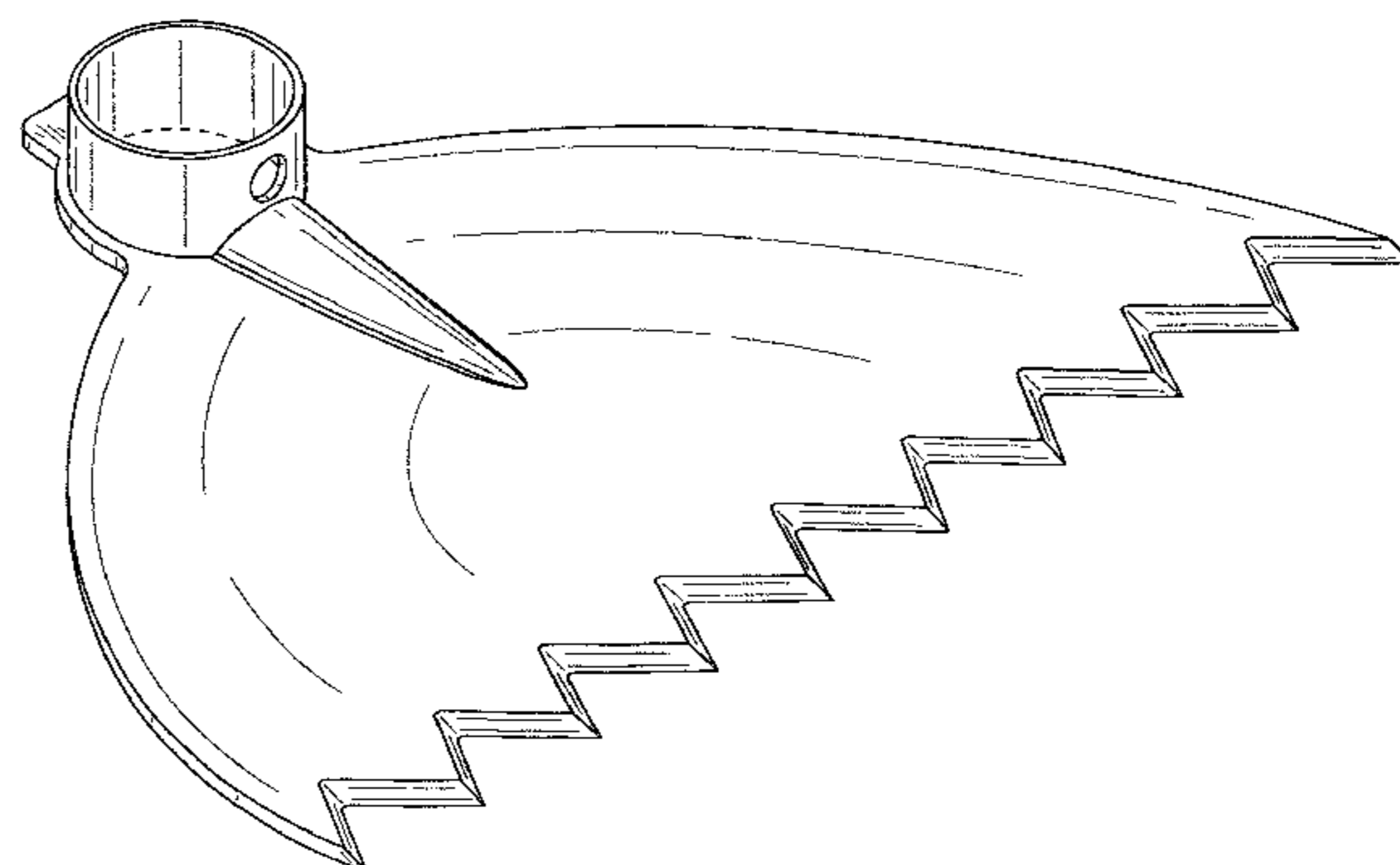


FIG. 38 is a rear view thereof;  
FIG. 39 is a right side view thereof;  
FIG. 40 is a left lateral view thereof;  
FIG. 41 is a top view thereof;  
FIG. 42 is a bottom view thereof;  
FIG. 43 is a perspective view of a seventh embodiment of the hoe;  
FIG. 44 is a front view thereof;  
FIG. 45 is a rear view thereof;  
FIG. 46 is a right side view thereof;  
FIG. 47 is a left lateral view thereof;  
FIG. 48 is a top view thereof;  
FIG. 49 is a bottom view thereof;

FIG. 50 is a perspective view of an eighth embodiment of the hoe;  
FIG. 51 is a front view thereof;  
FIG. 52 is a rear view thereof;  
FIG. 53 is a lateral view thereof;  
FIG. 54 is a left lateral view thereof;  
FIG. 55 is a top view thereof; and,  
FIG. 56 is a bottom view thereof.  
The broken line showing of the hoe is included for the purpose of illustrating portions of the article and forms no part of the claimed design.

**1 Claim, 40 Drawing Sheets**

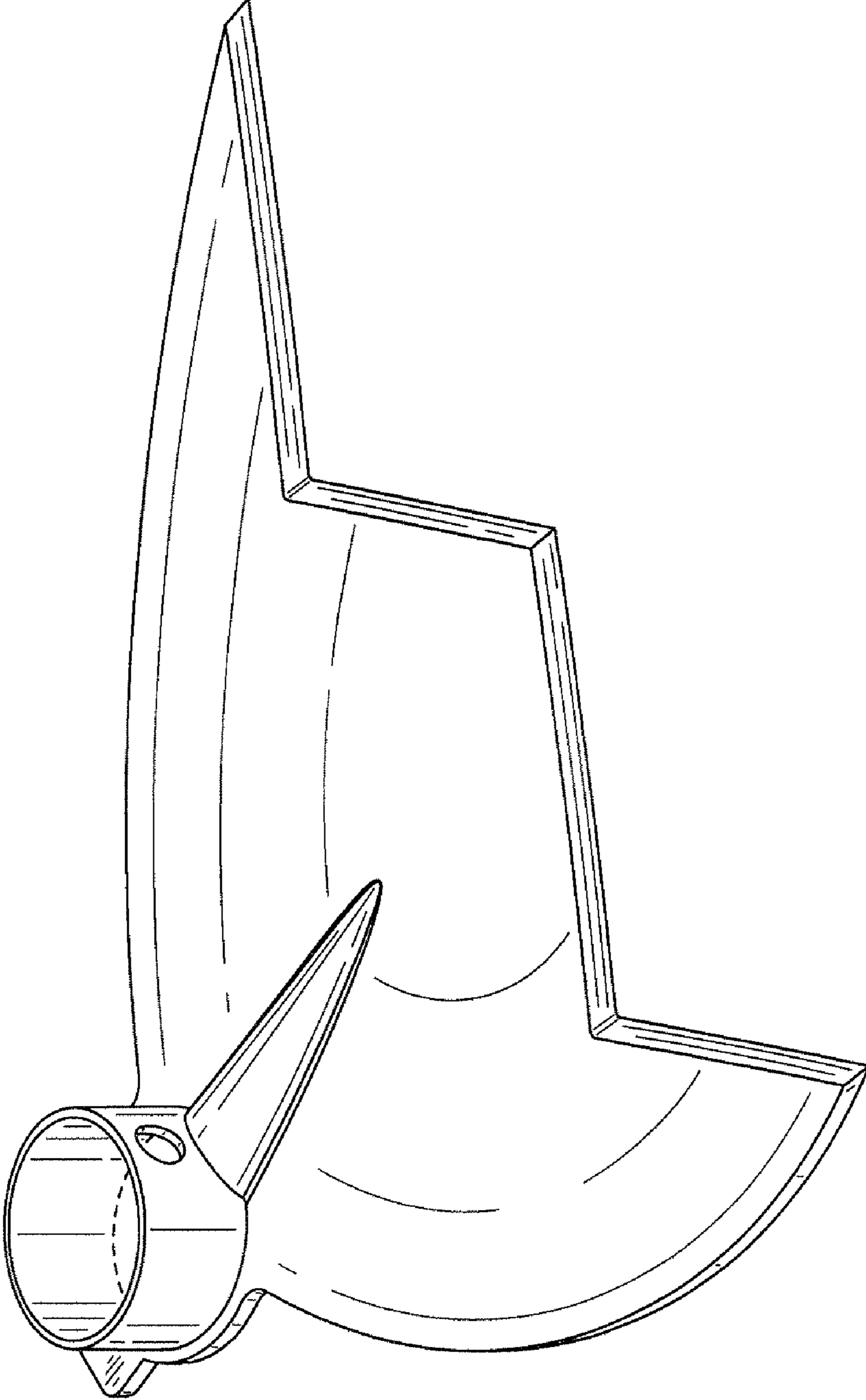


FIG.1

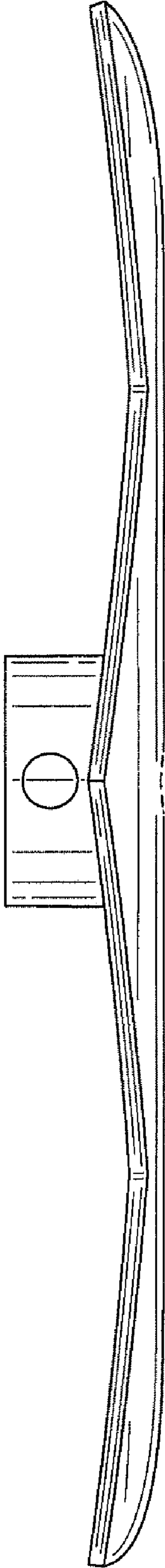


FIG. 2

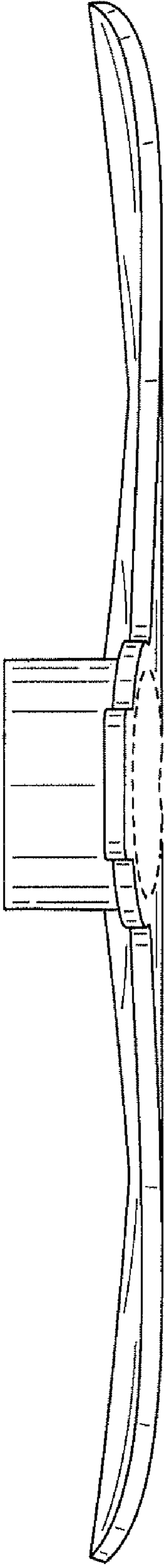


FIG. 3



FIG. 4

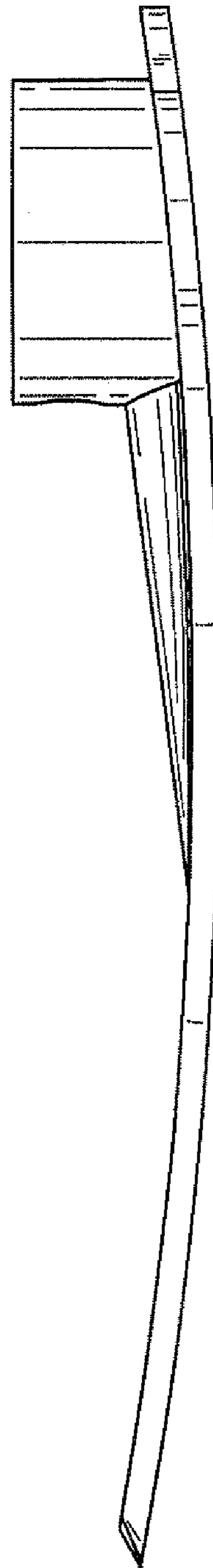


FIG. 5

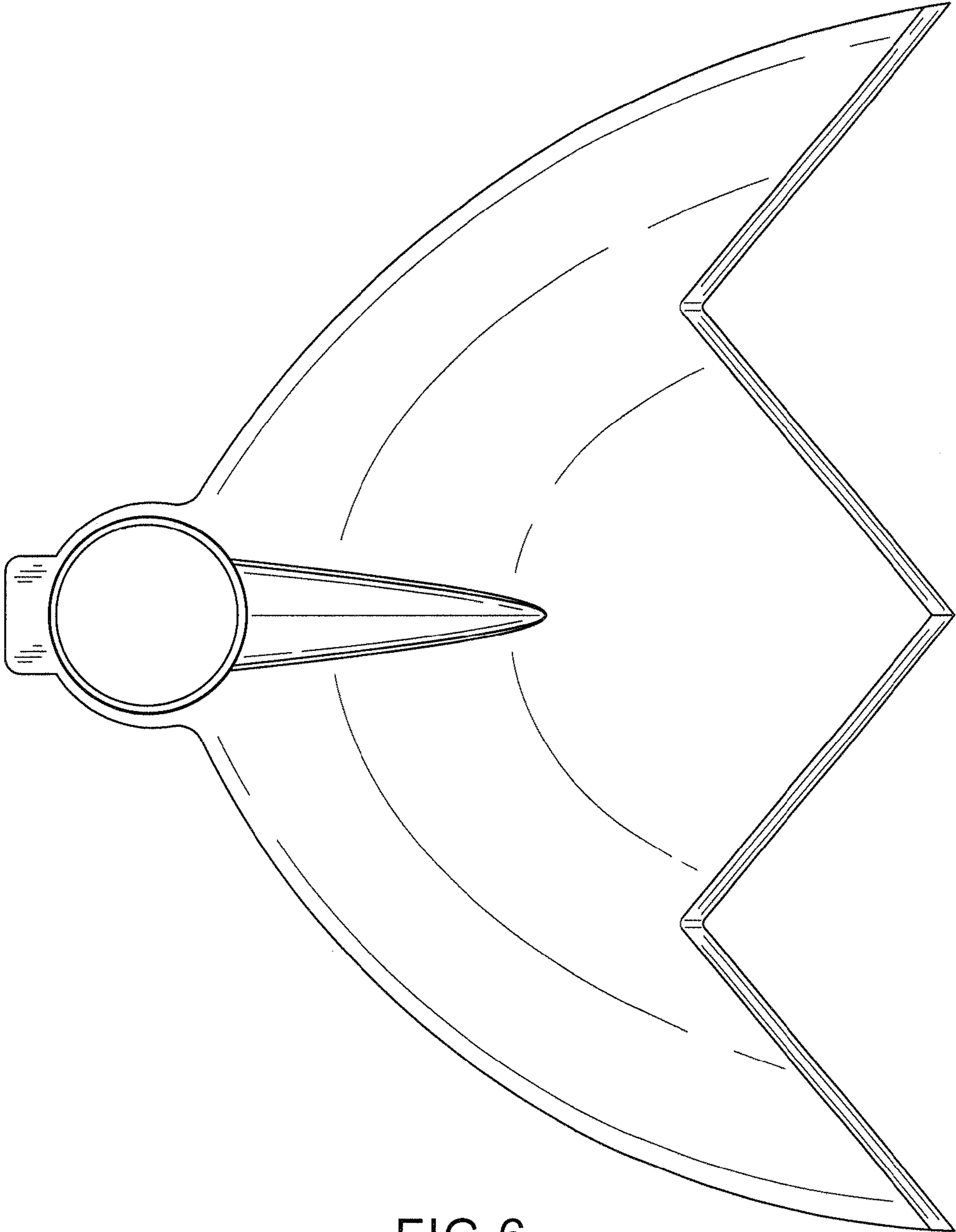


FIG.6

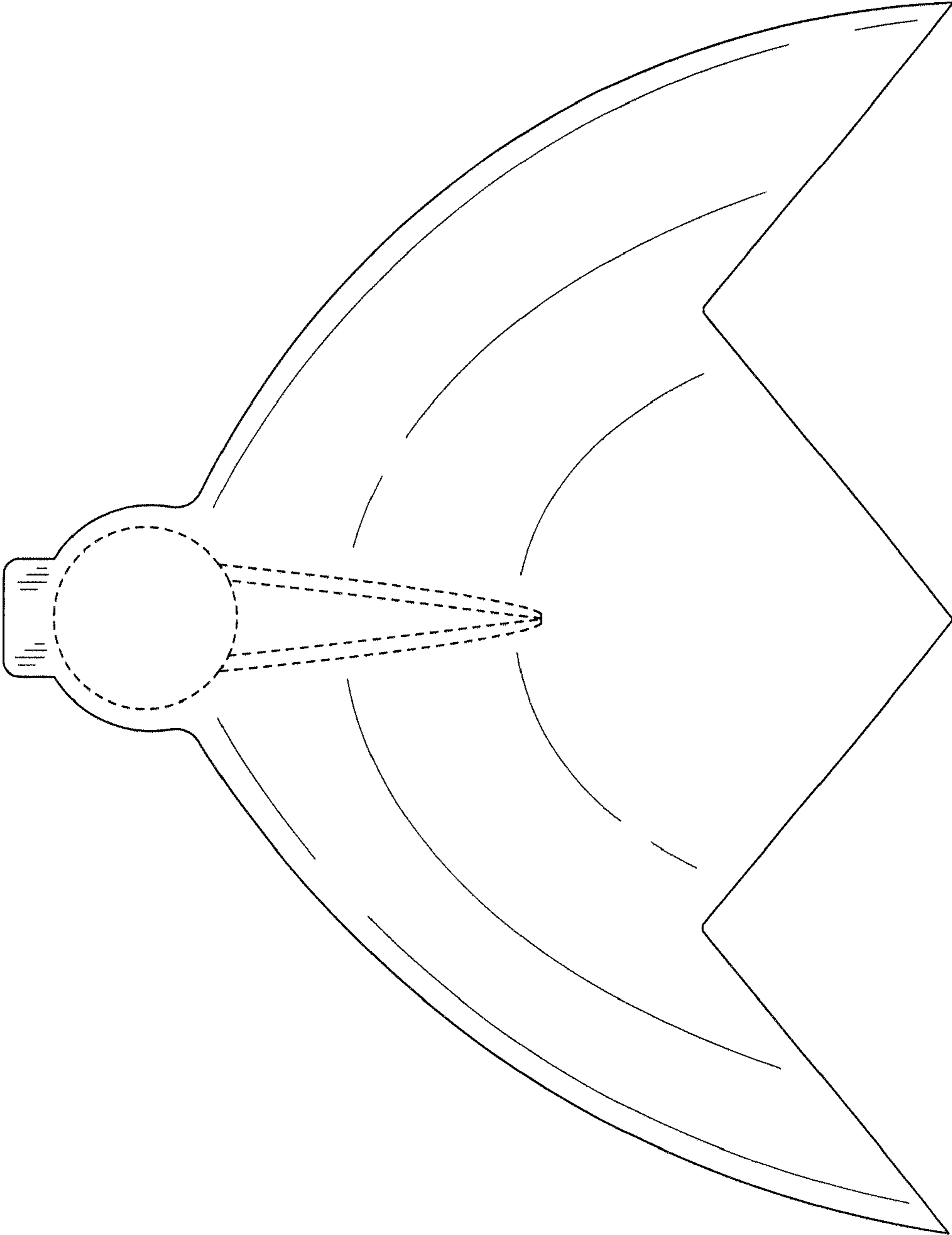


FIG. 7

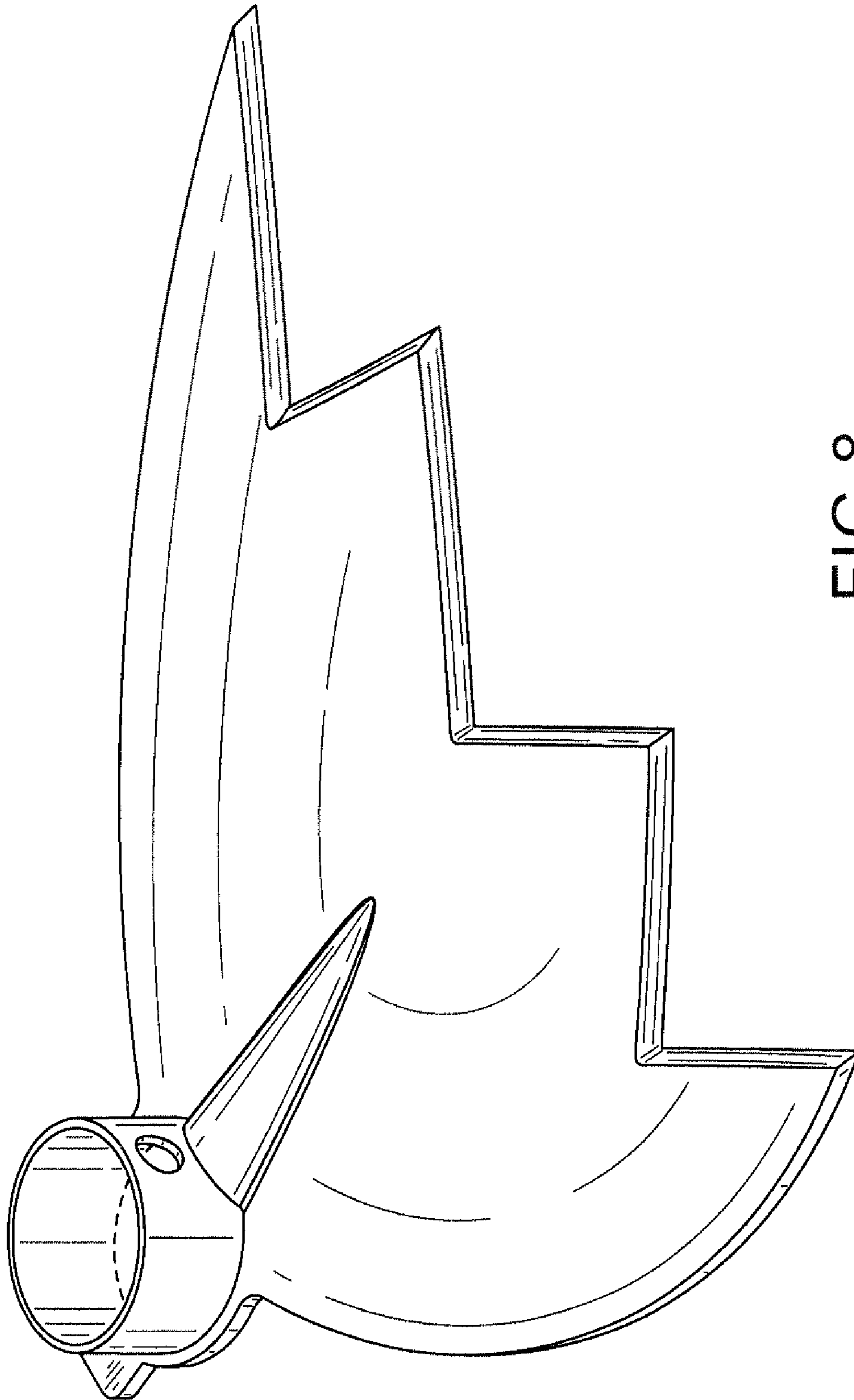


FIG. 8



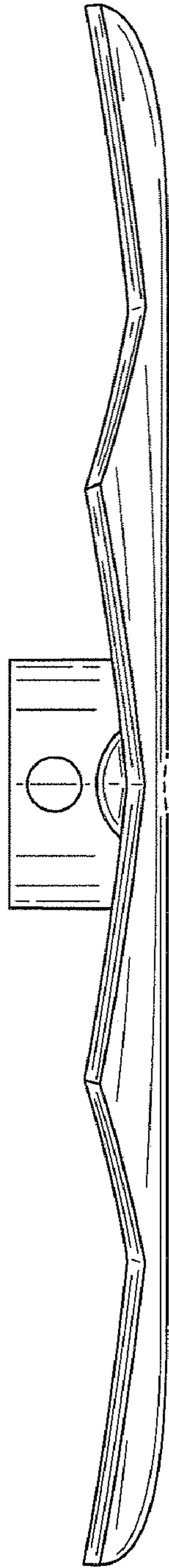


FIG. 9

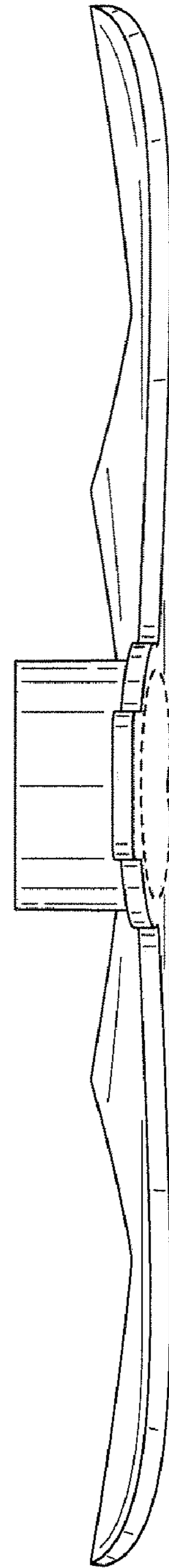


FIG. 10

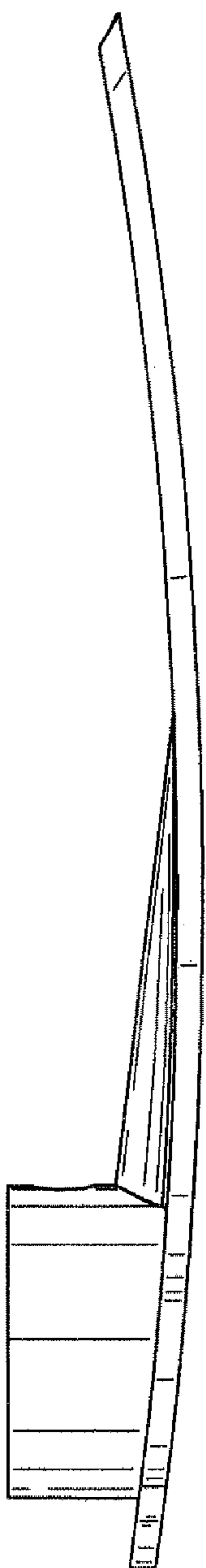


FIG. 11

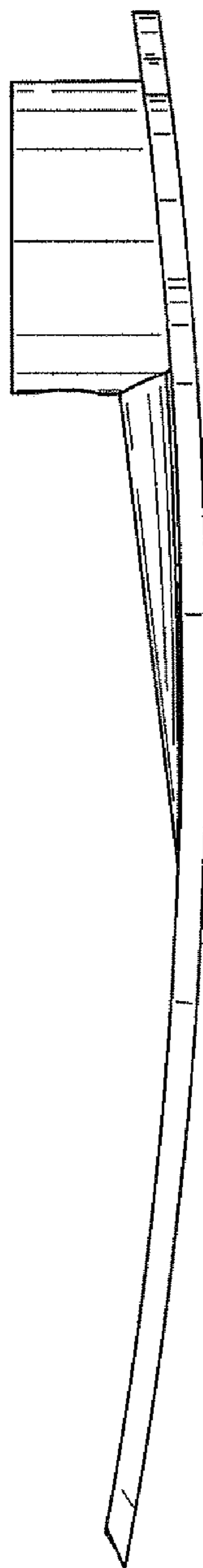


FIG. 12

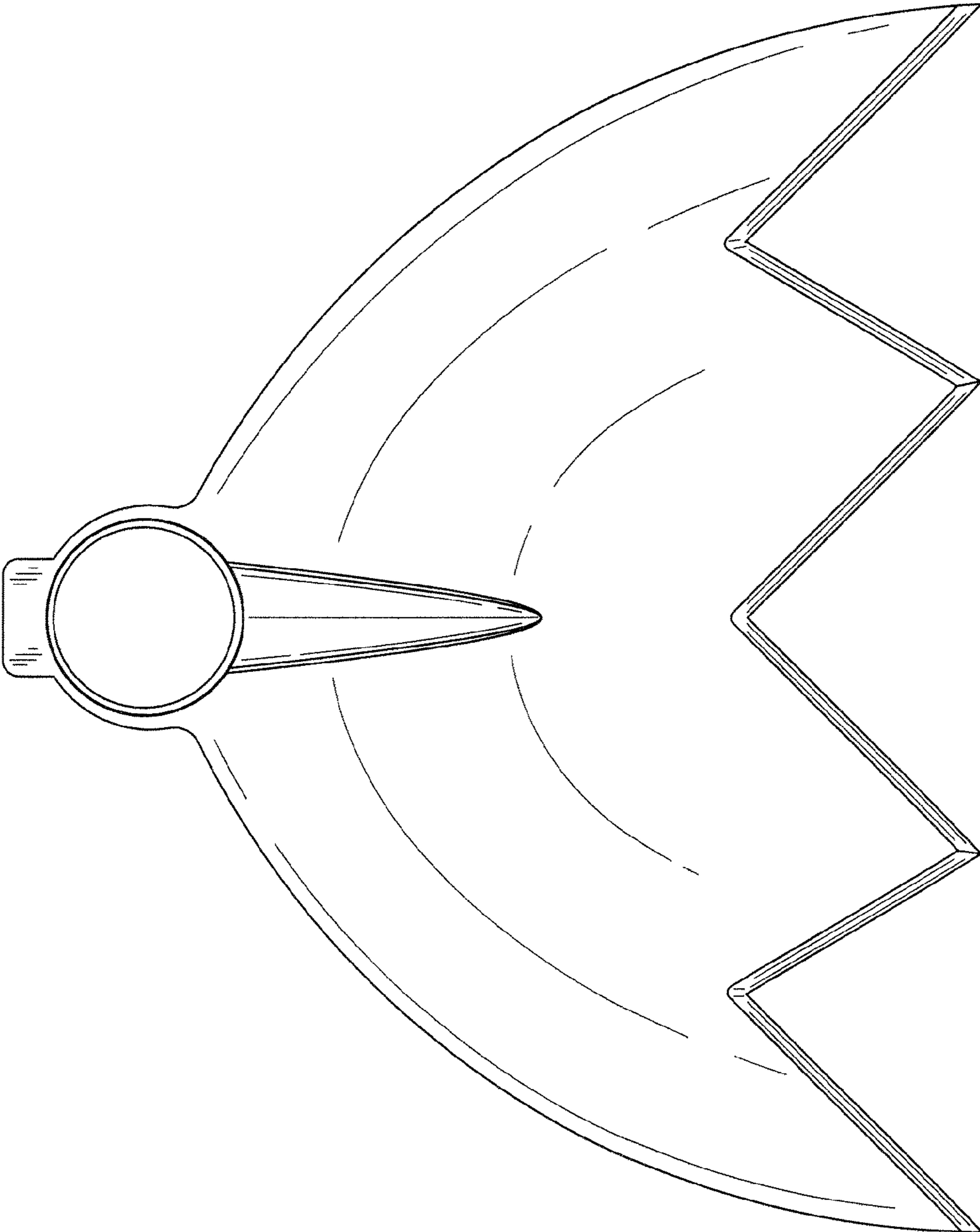


FIG.13

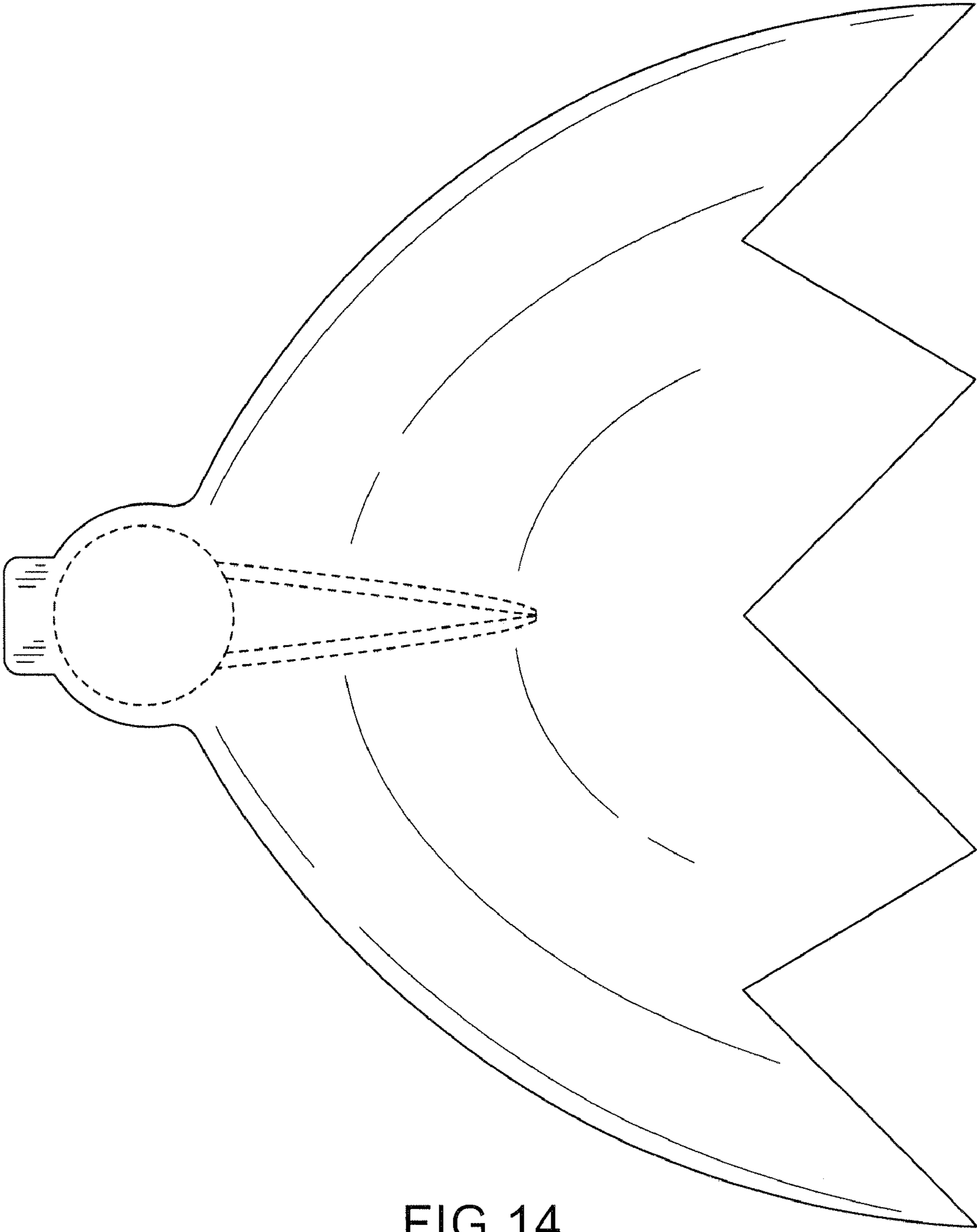


FIG.14

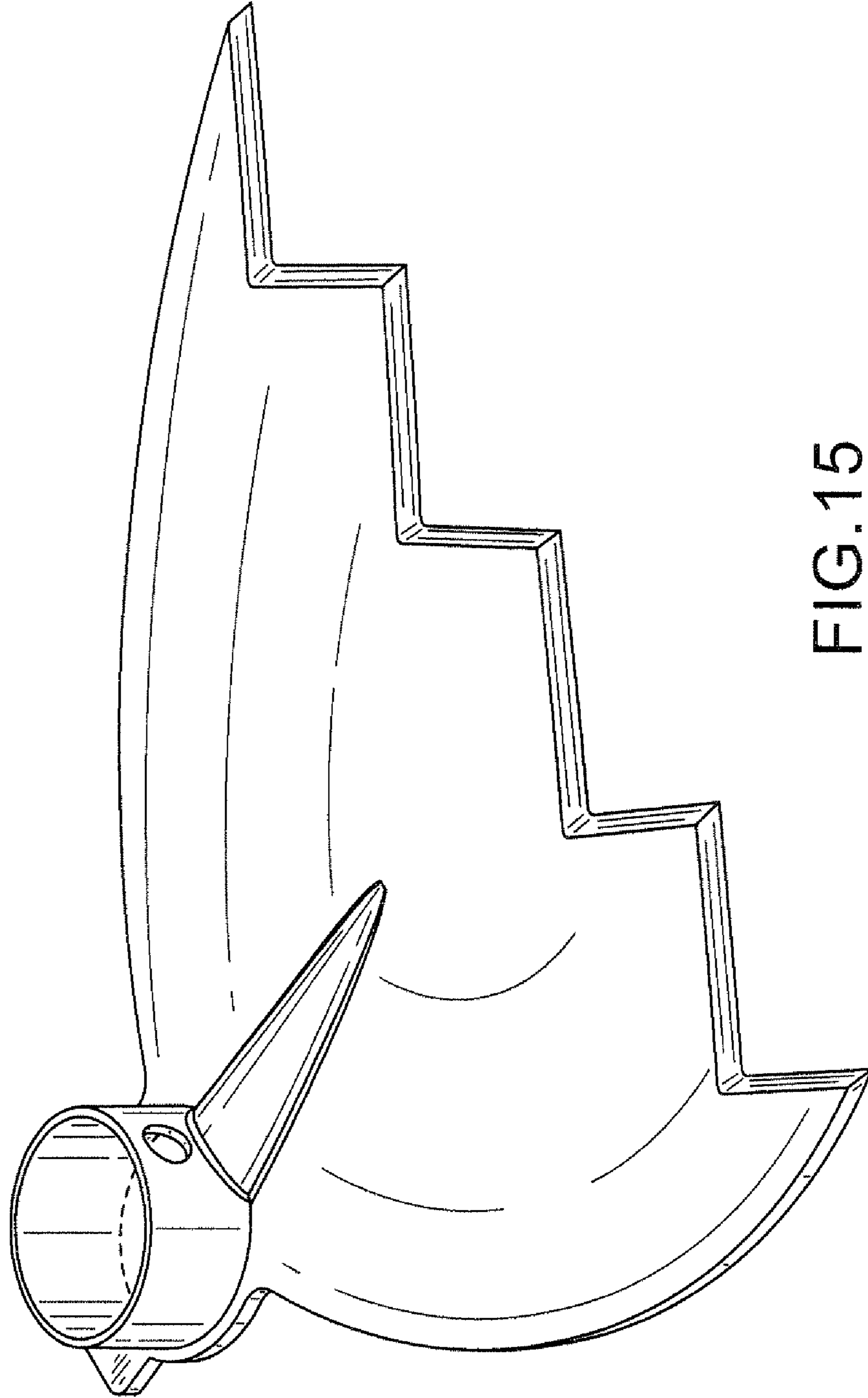


FIG. 15

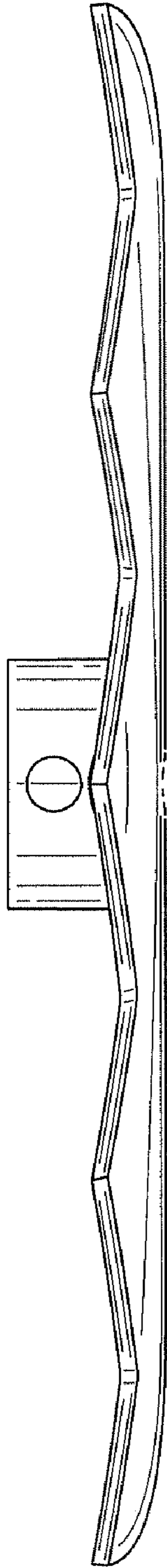


FIG. 16

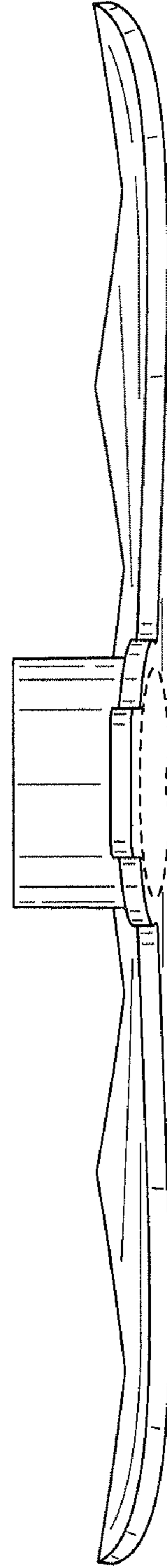


FIG. 17



FIG. 18

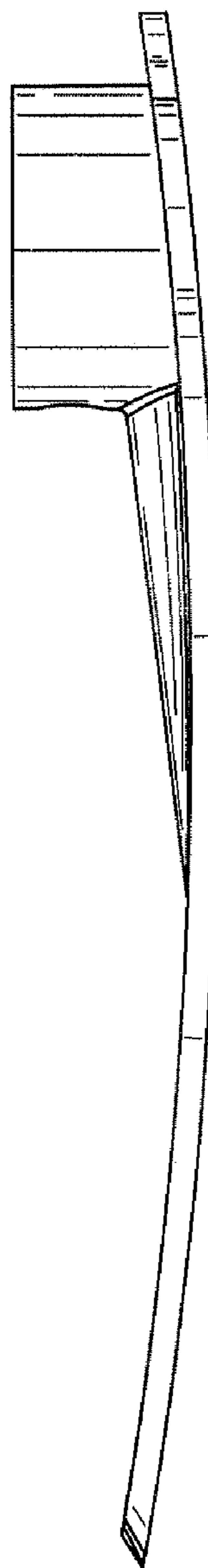


FIG. 19

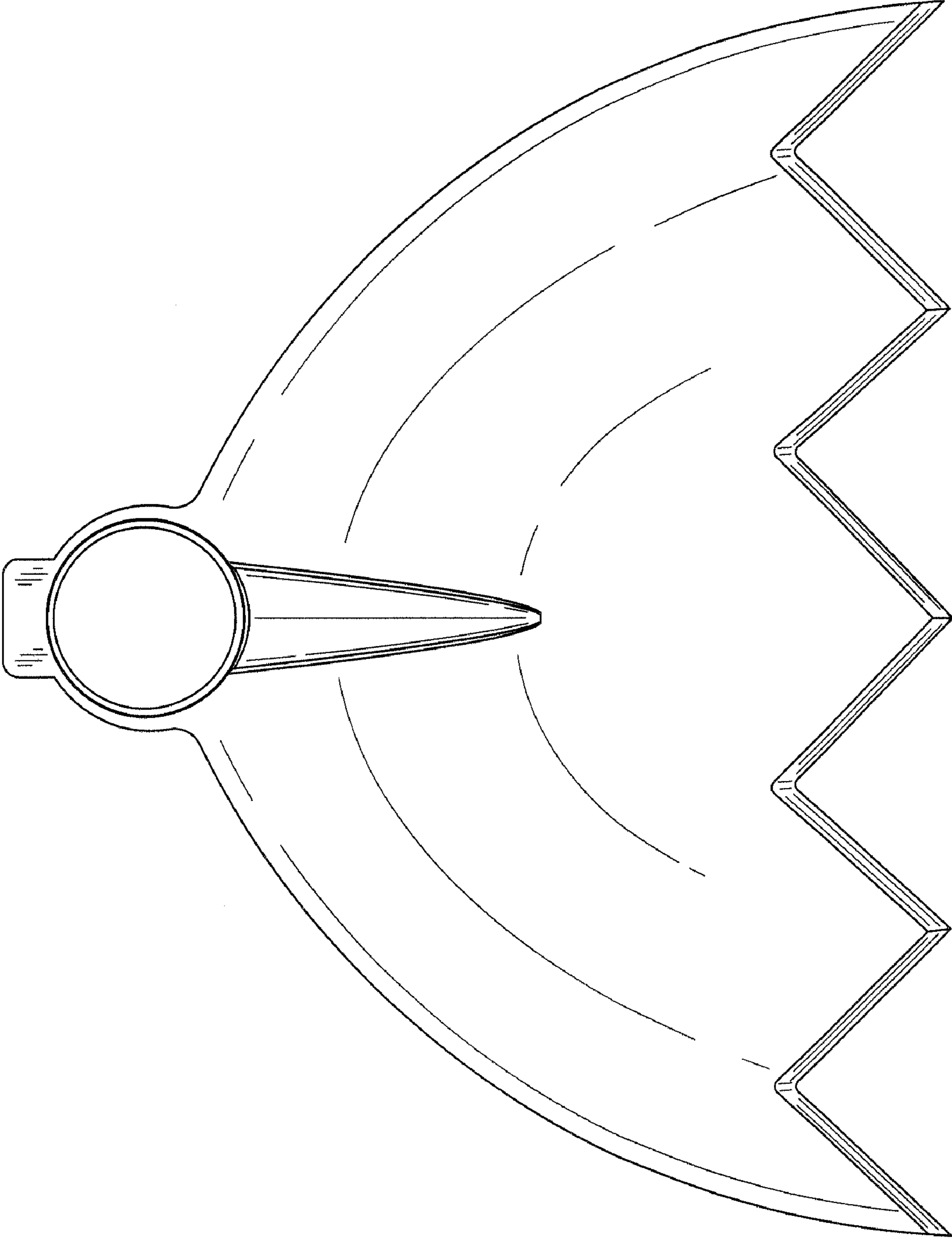


FIG.20



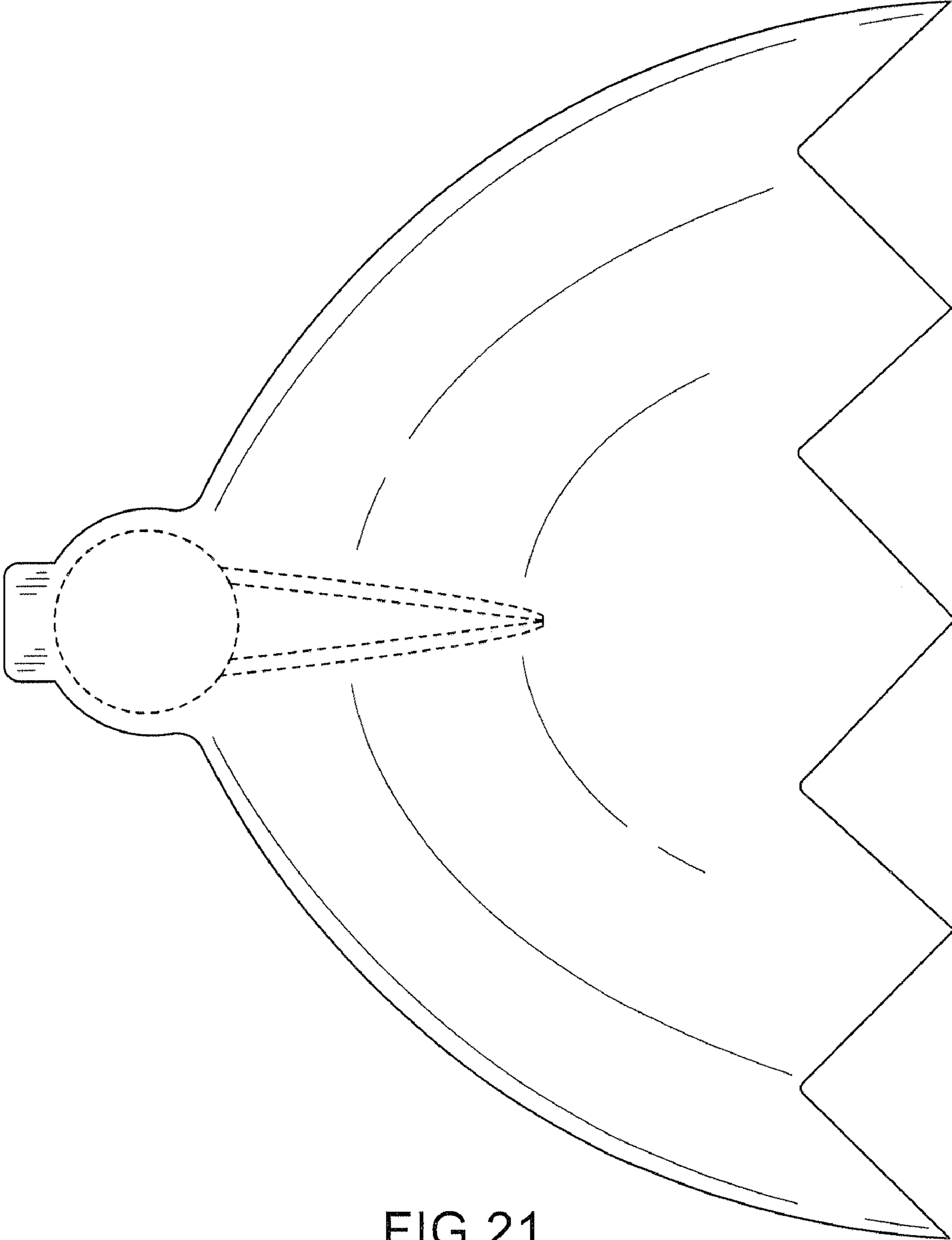


FIG. 21

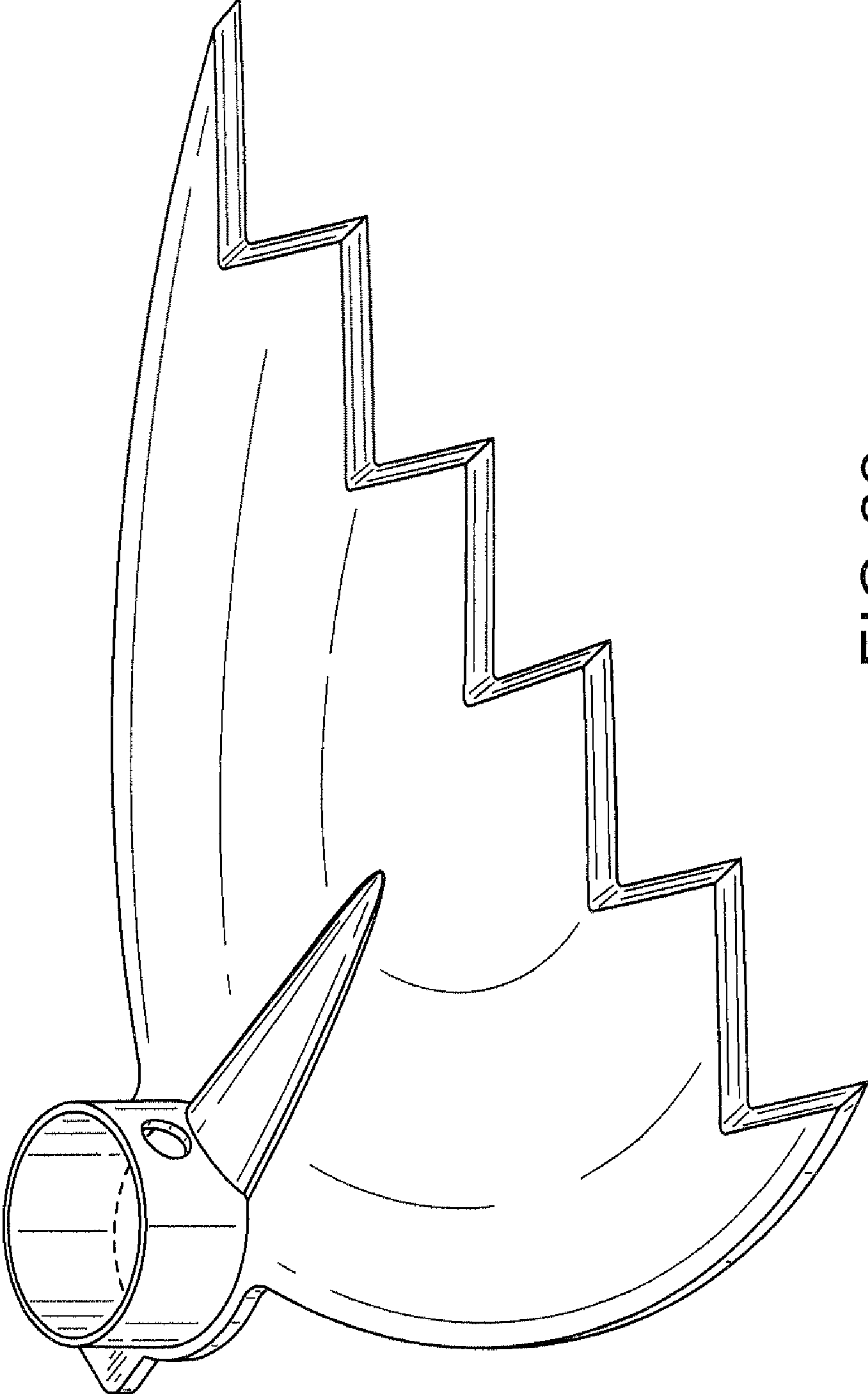


FIG. 22

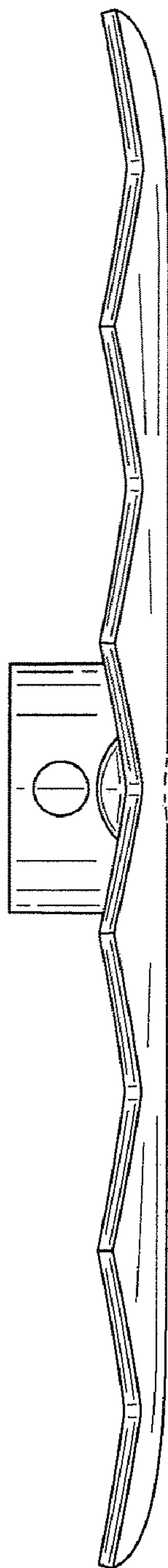


FIG. 23

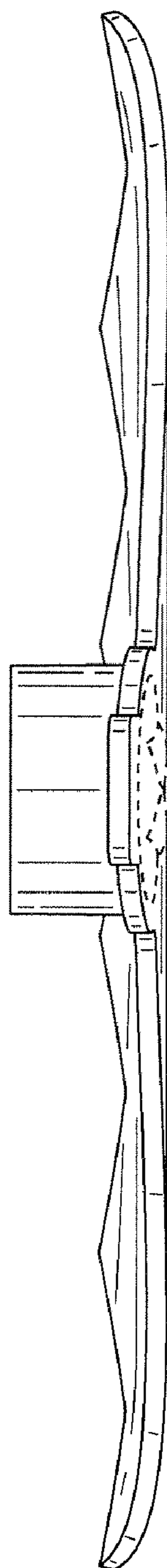


FIG. 24



FIG. 25

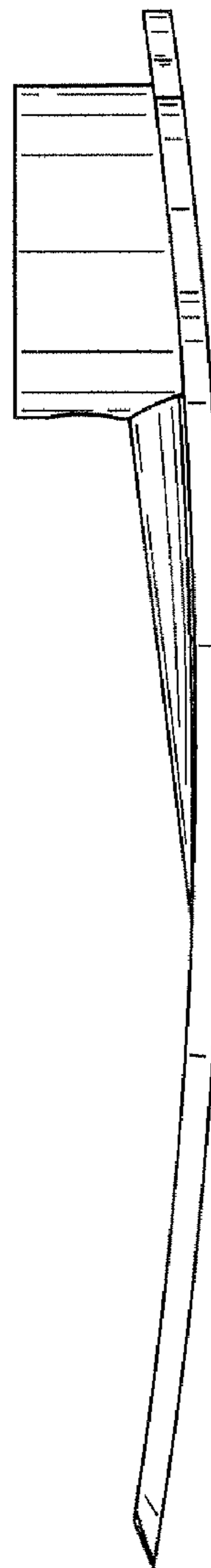


FIG. 26

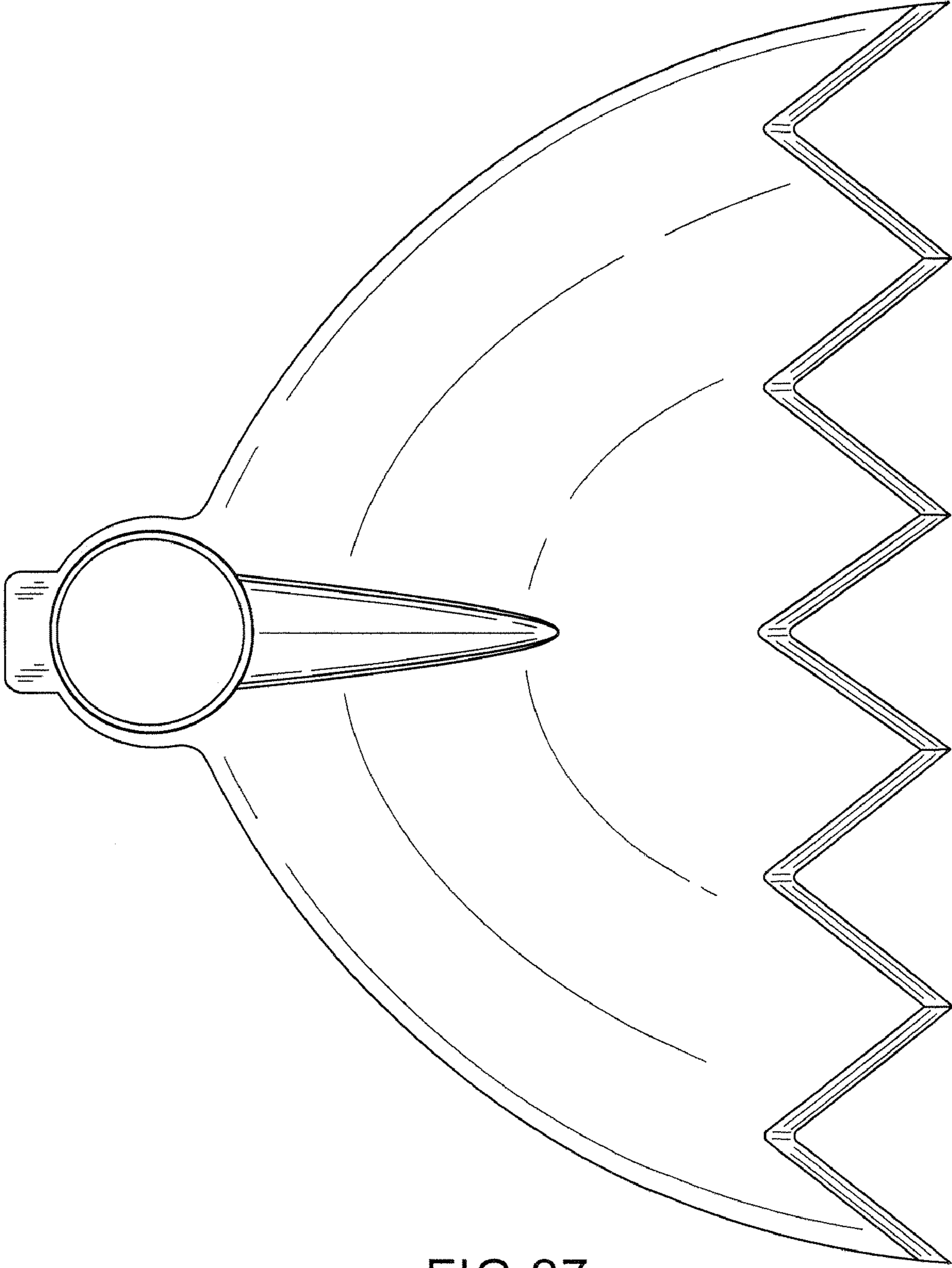


FIG.27

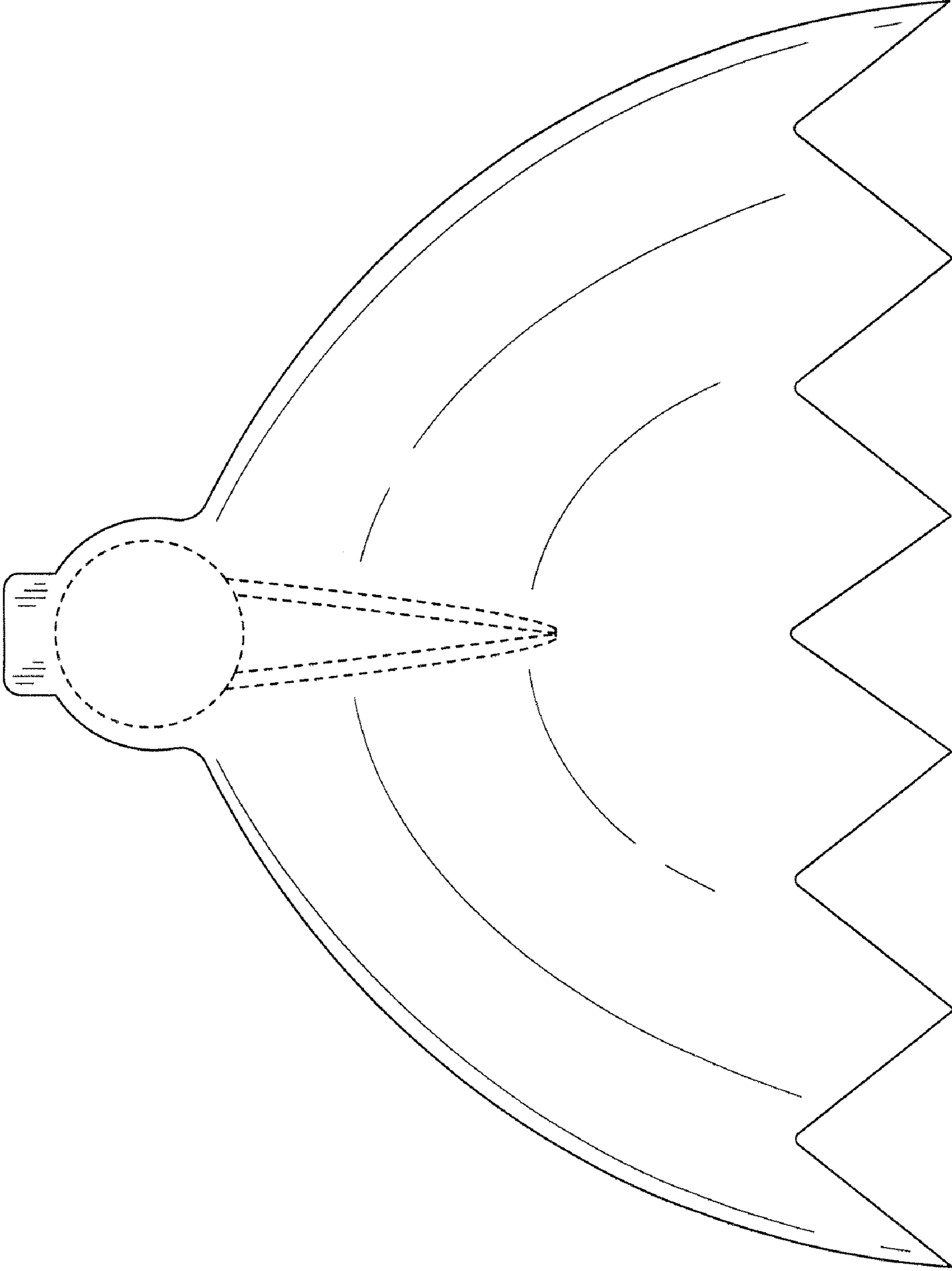


FIG.28

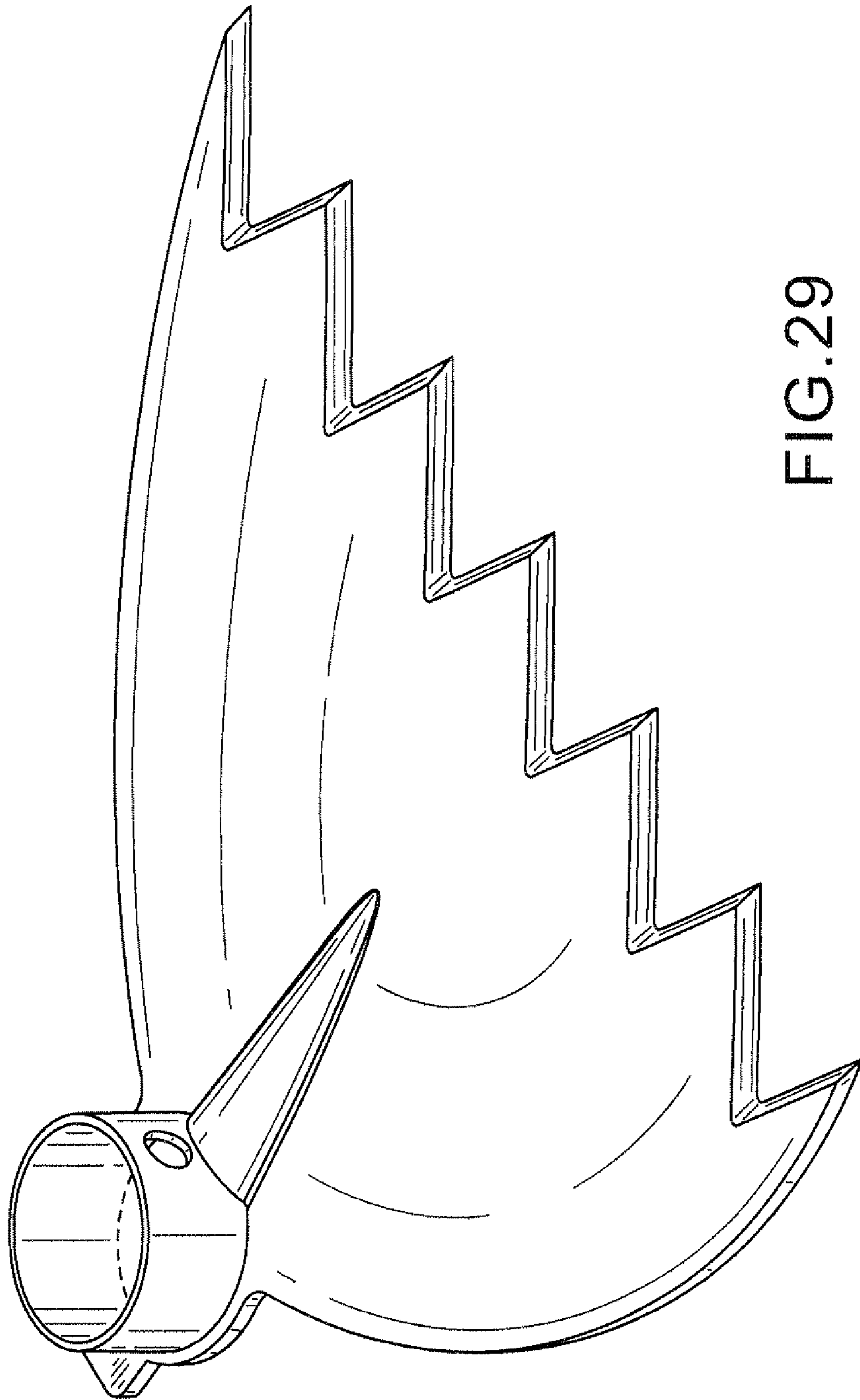


FIG. 29

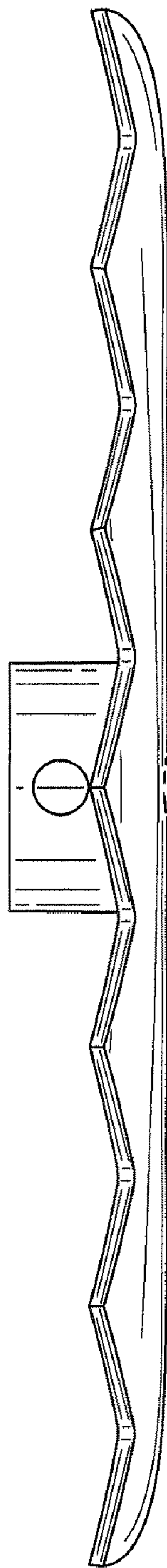


FIG. 30

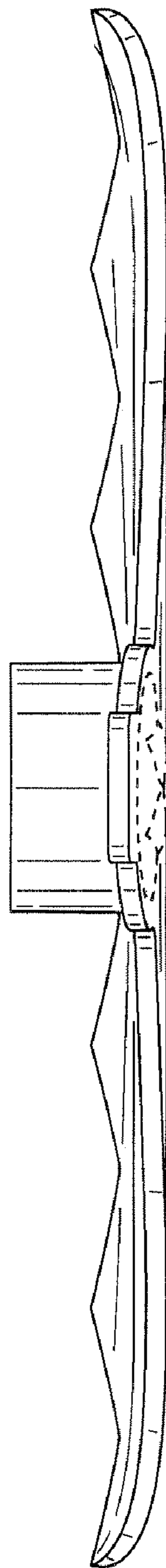


FIG. 31





FIG. 32

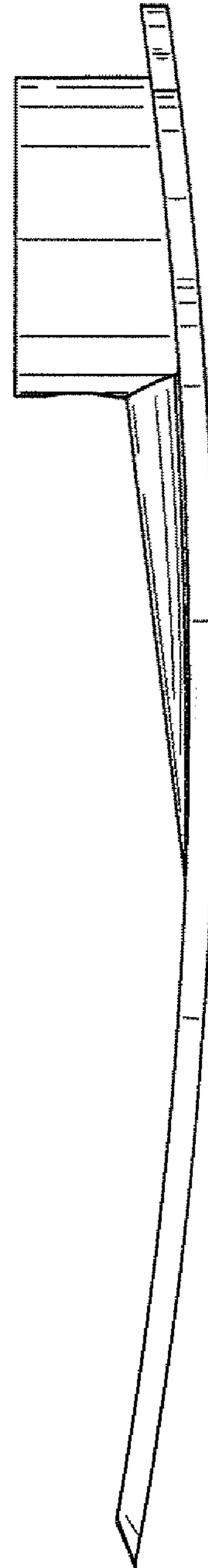


FIG. 33

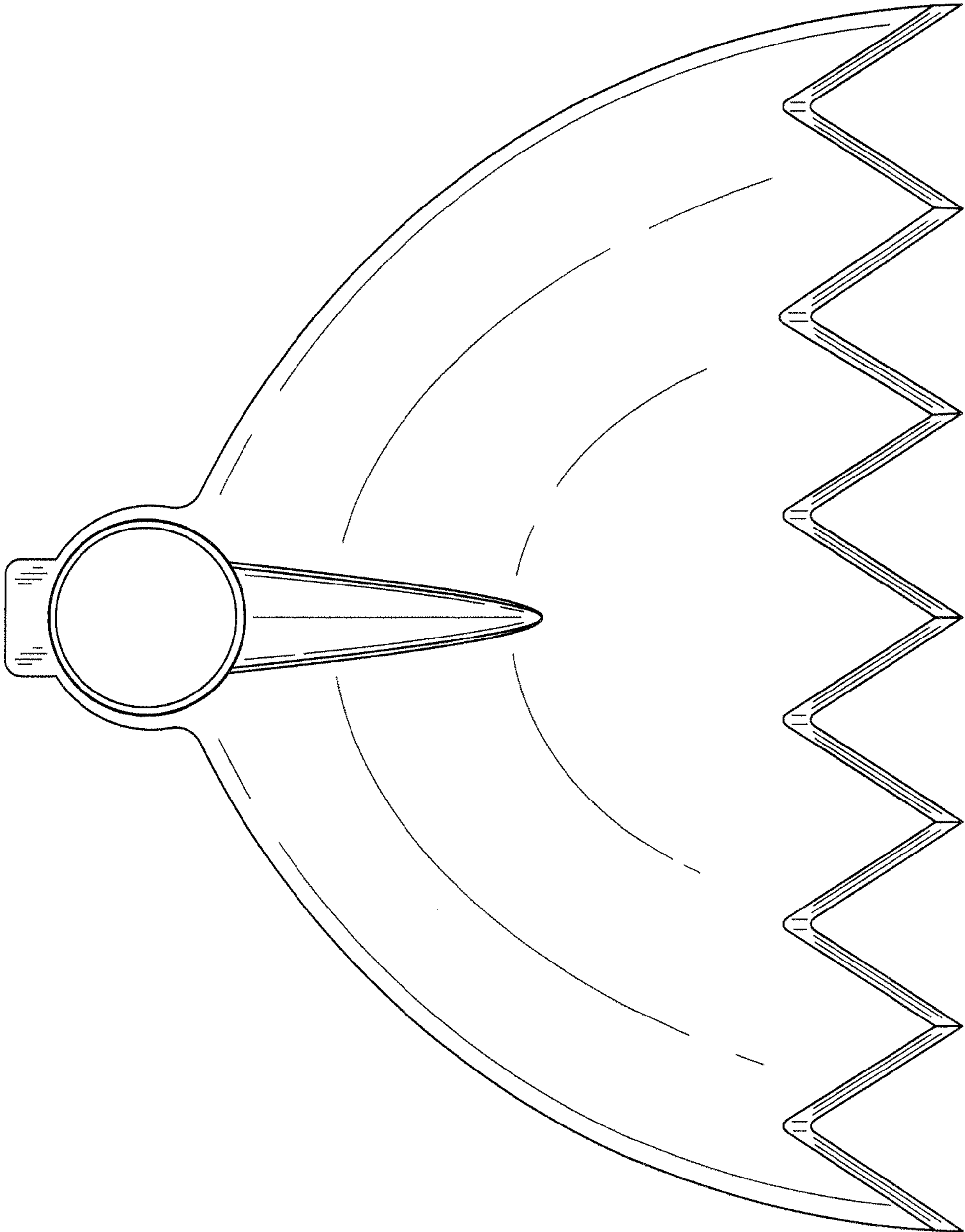


FIG.34

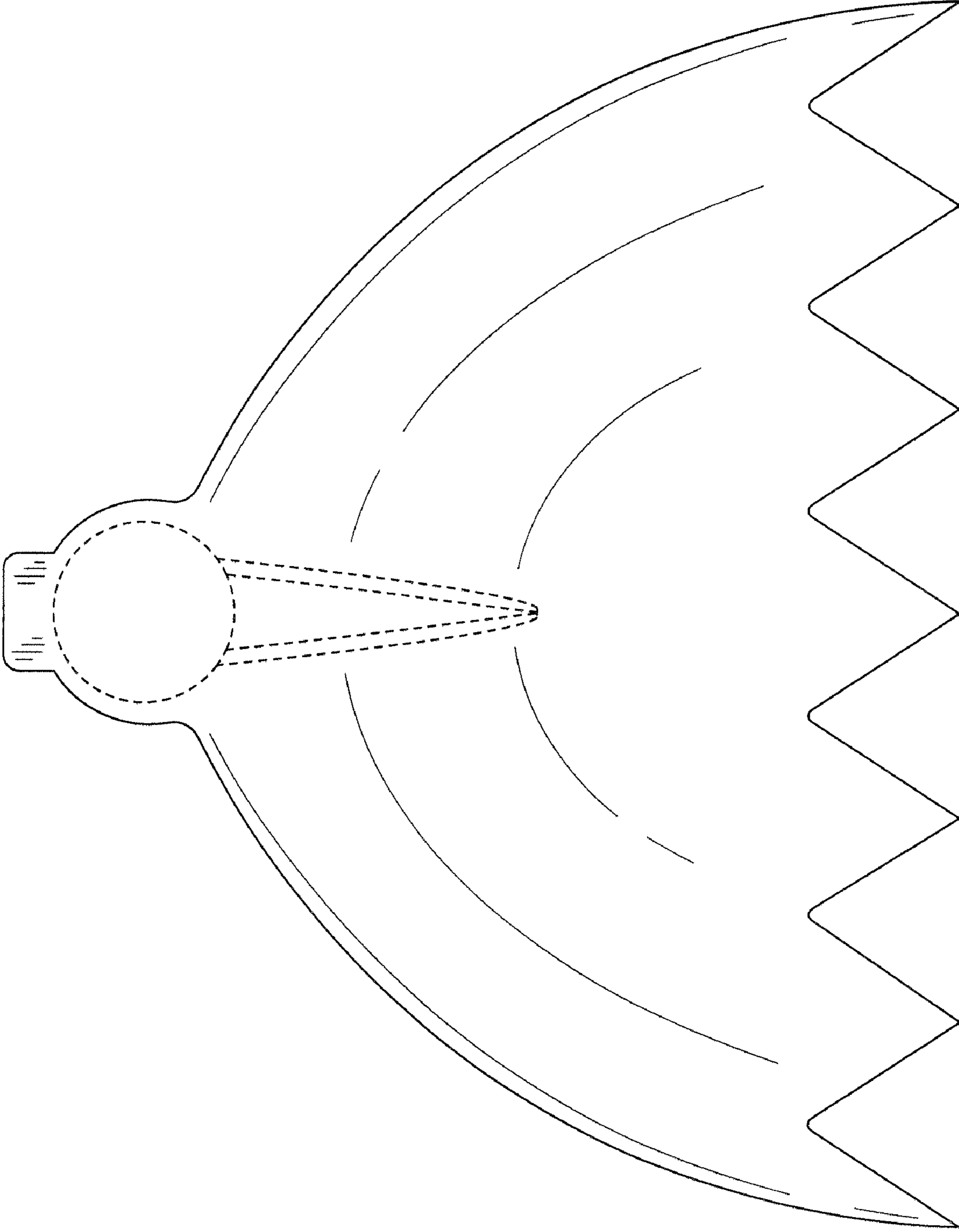


FIG.35

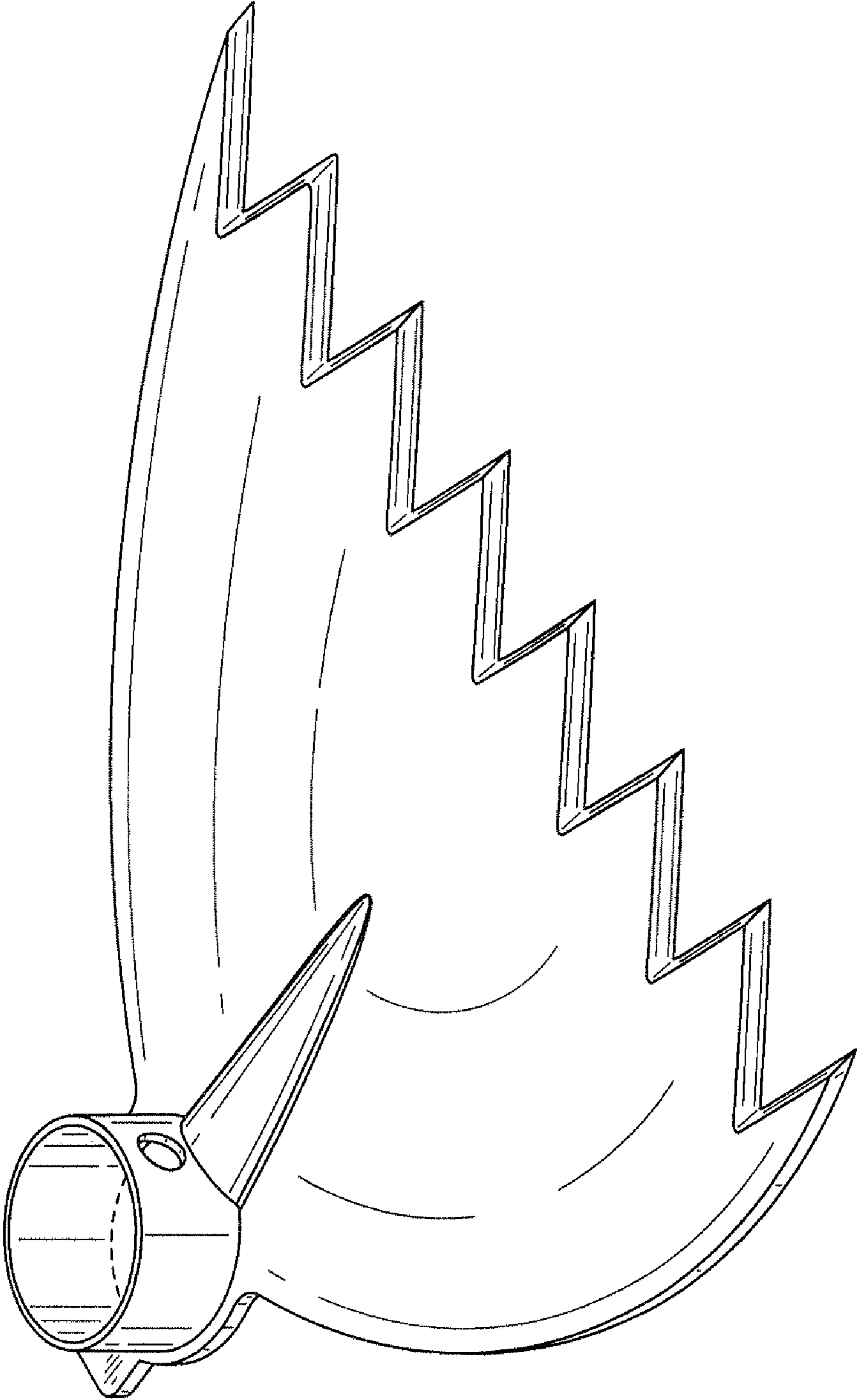


FIG. 36

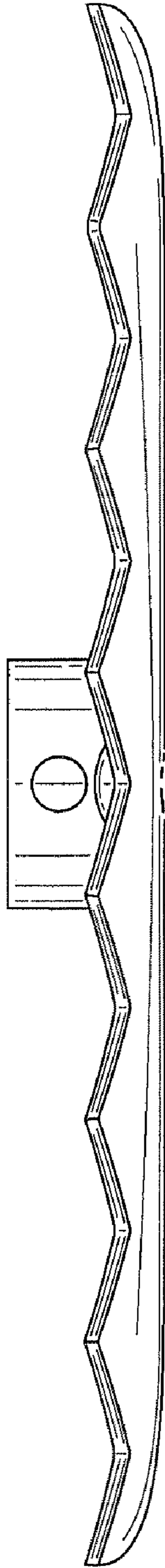


FIG. 37

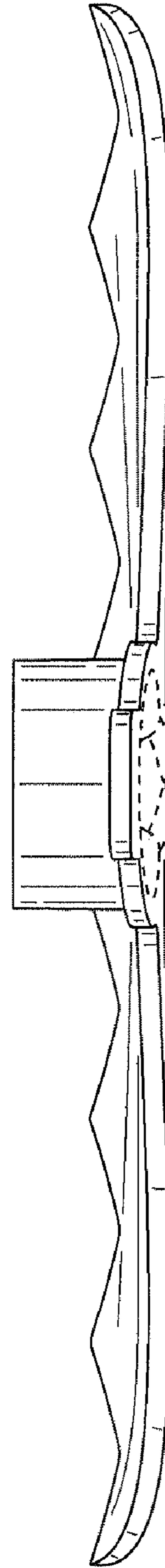


FIG. 38



FIG. 39

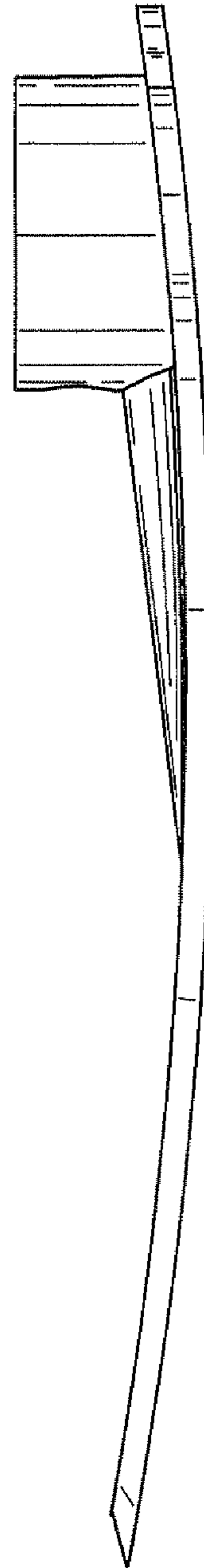


FIG. 40

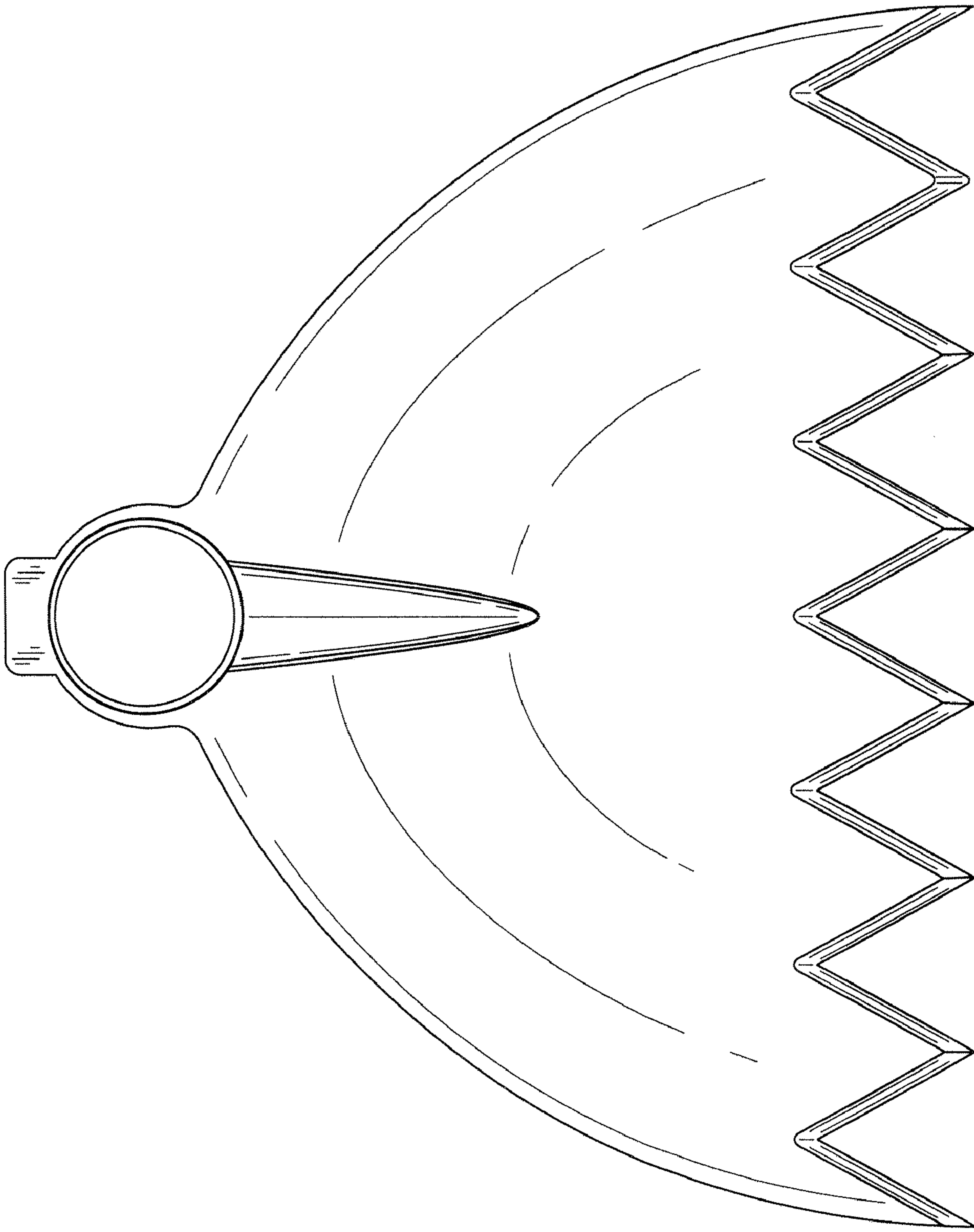


FIG.41

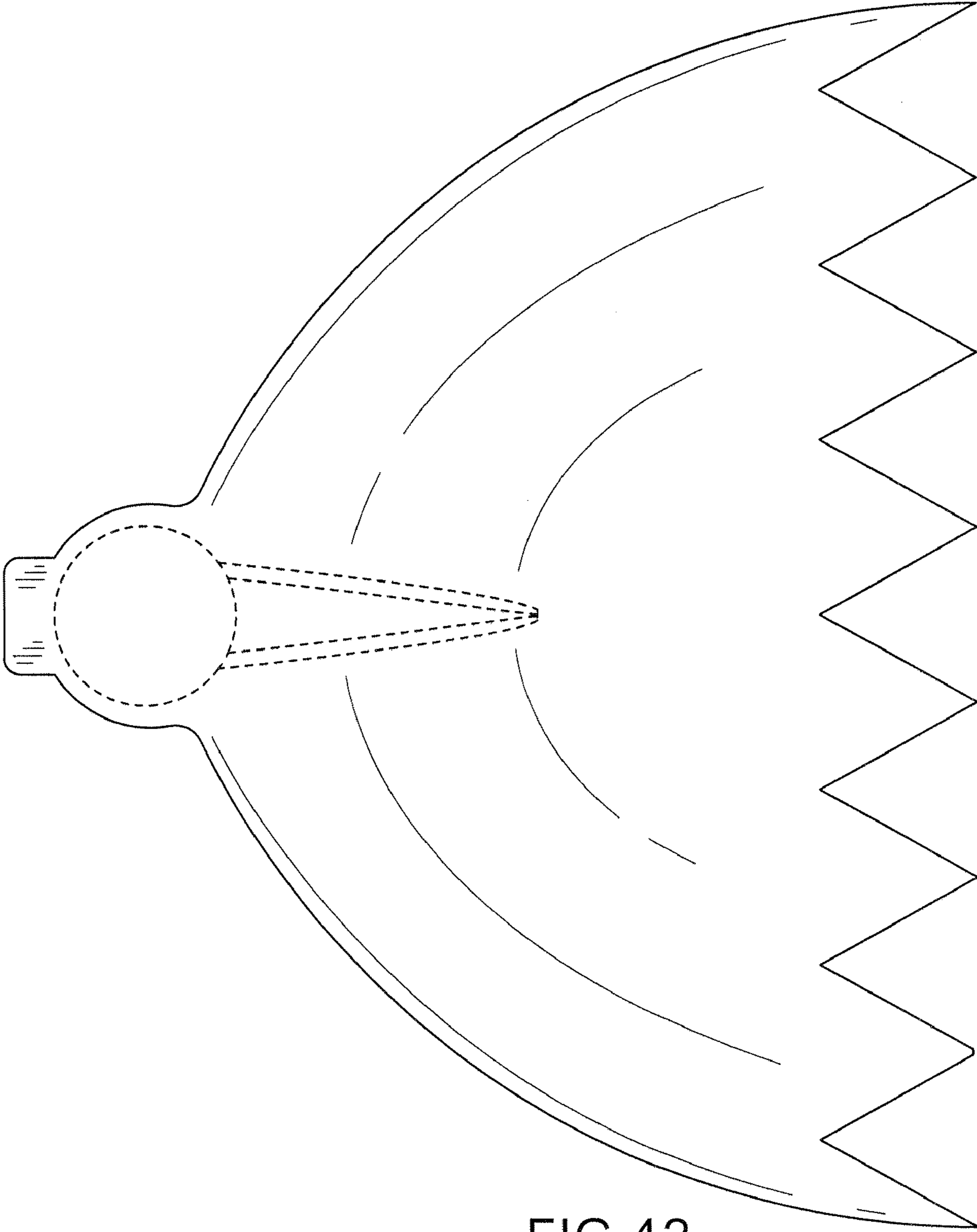


FIG. 42



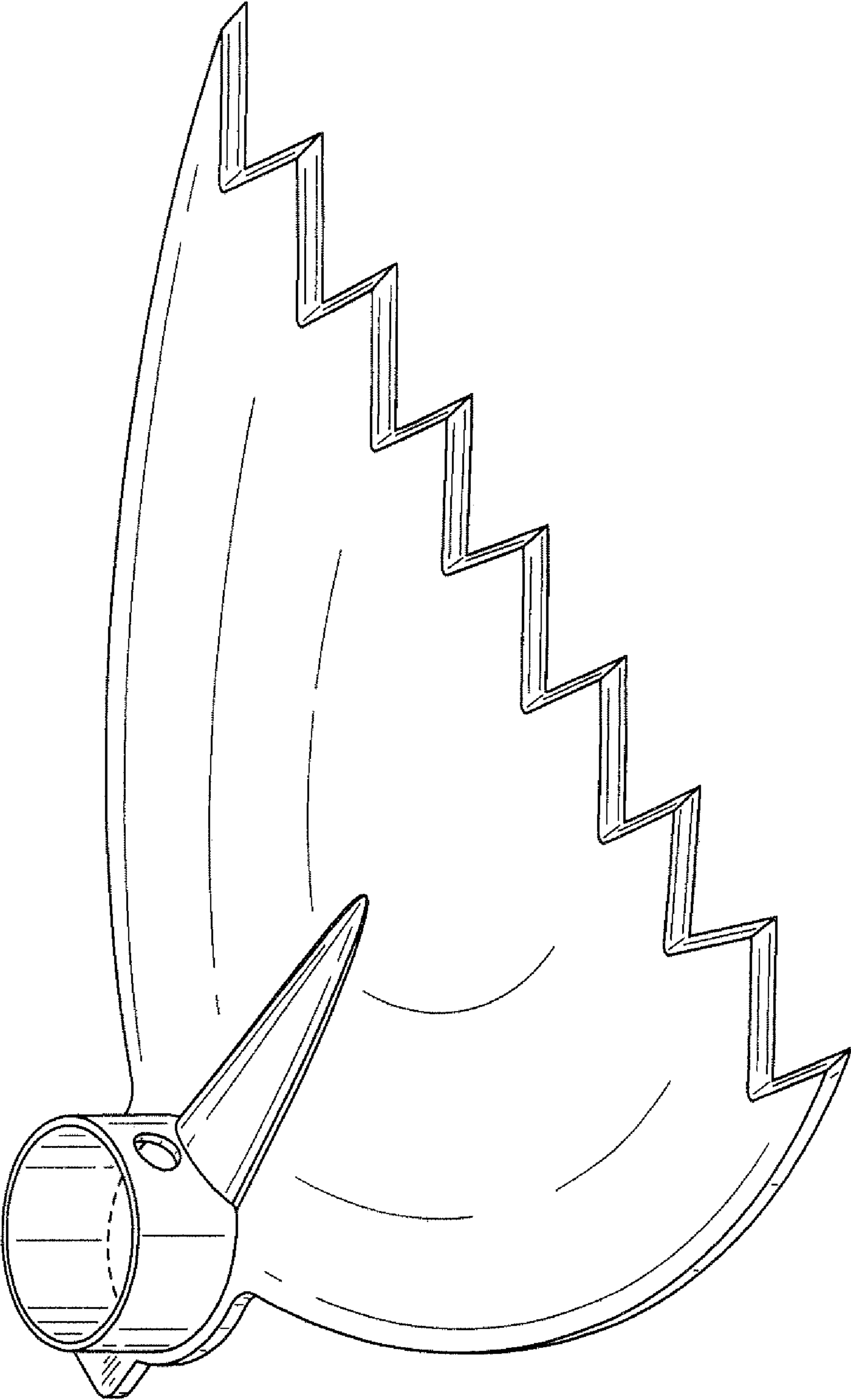


FIG.43

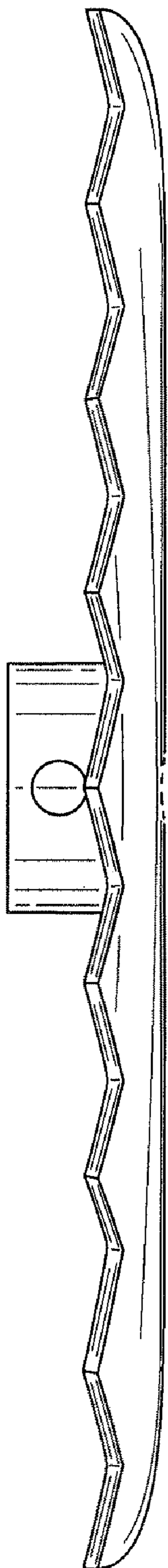


FIG. 44

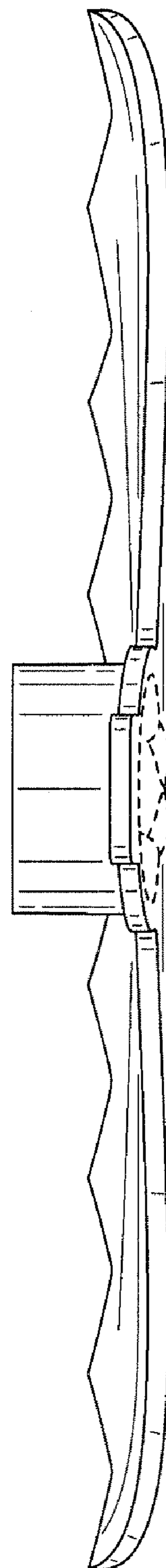


FIG. 45

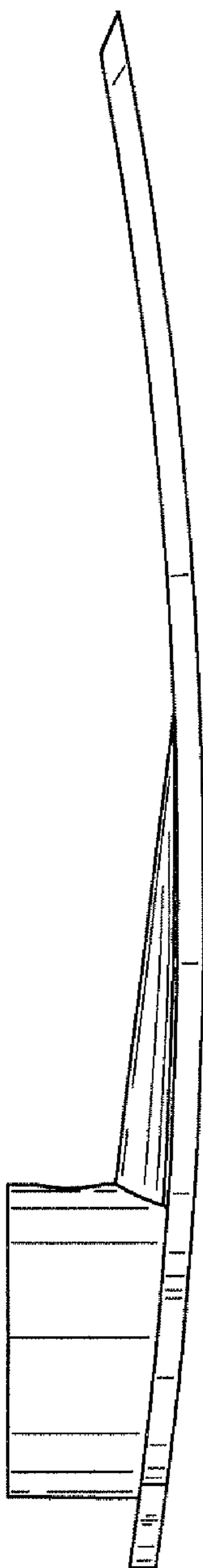


FIG. 46

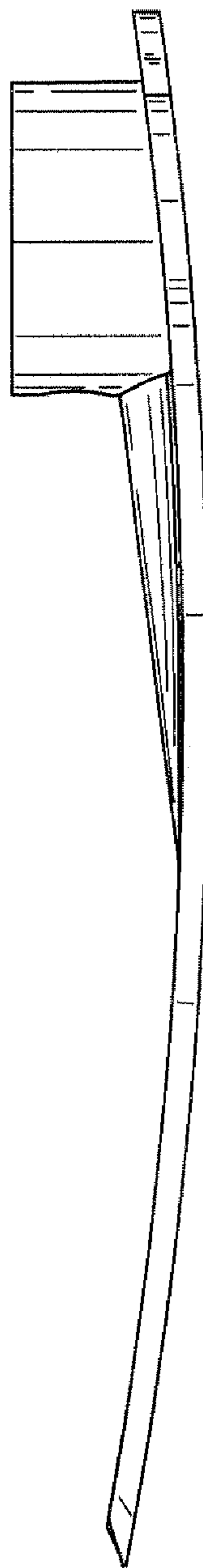


FIG. 47

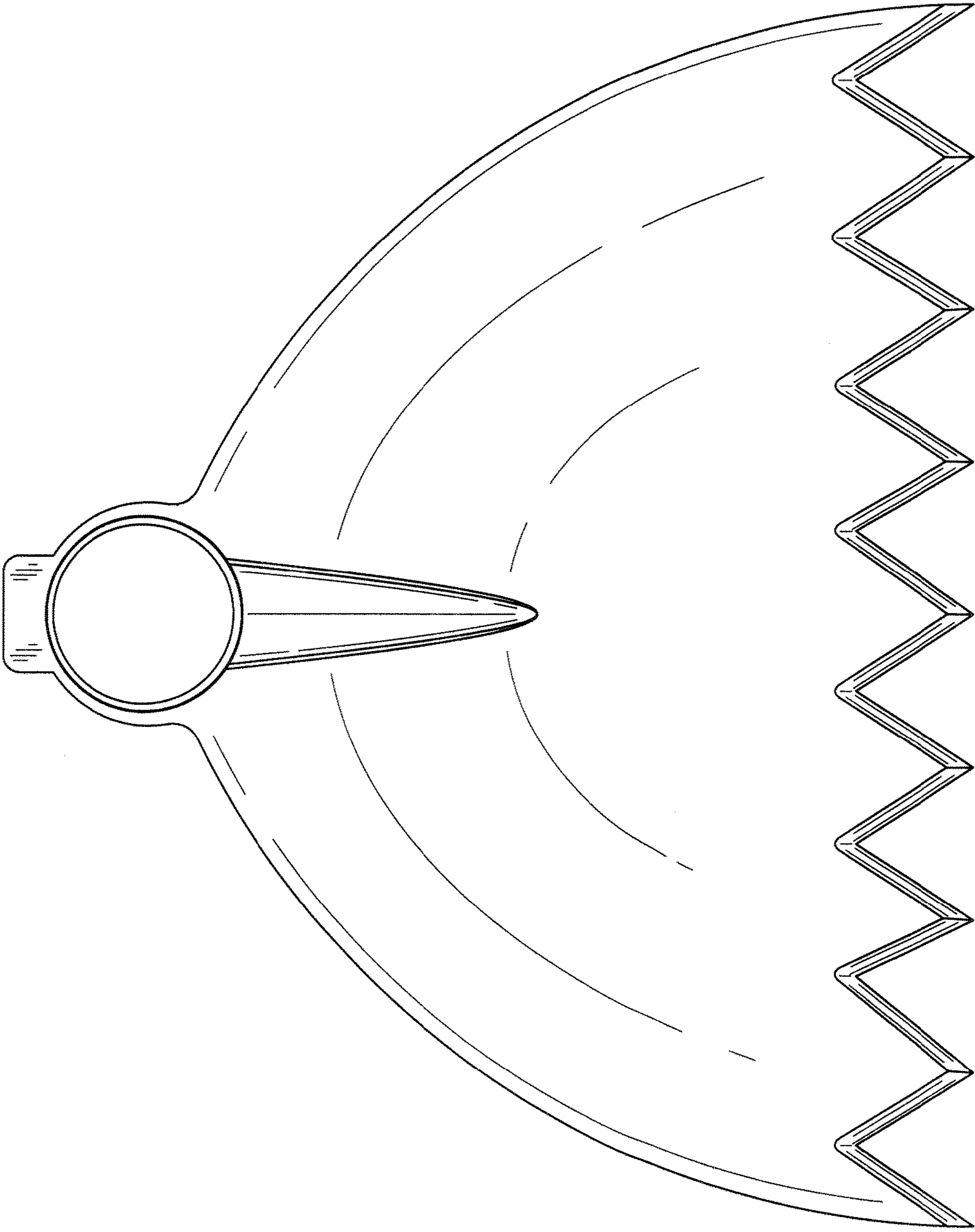


FIG.48

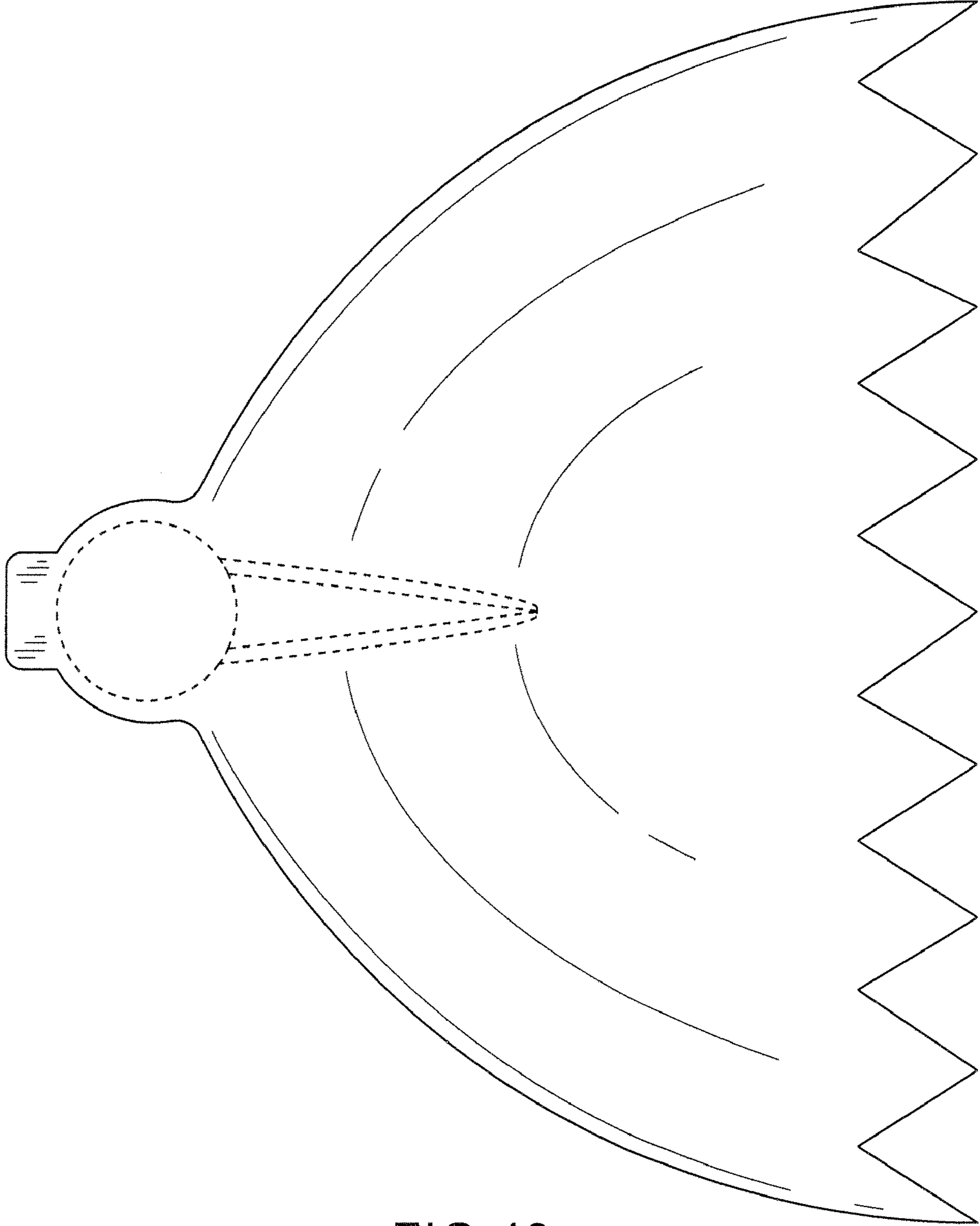


FIG.49

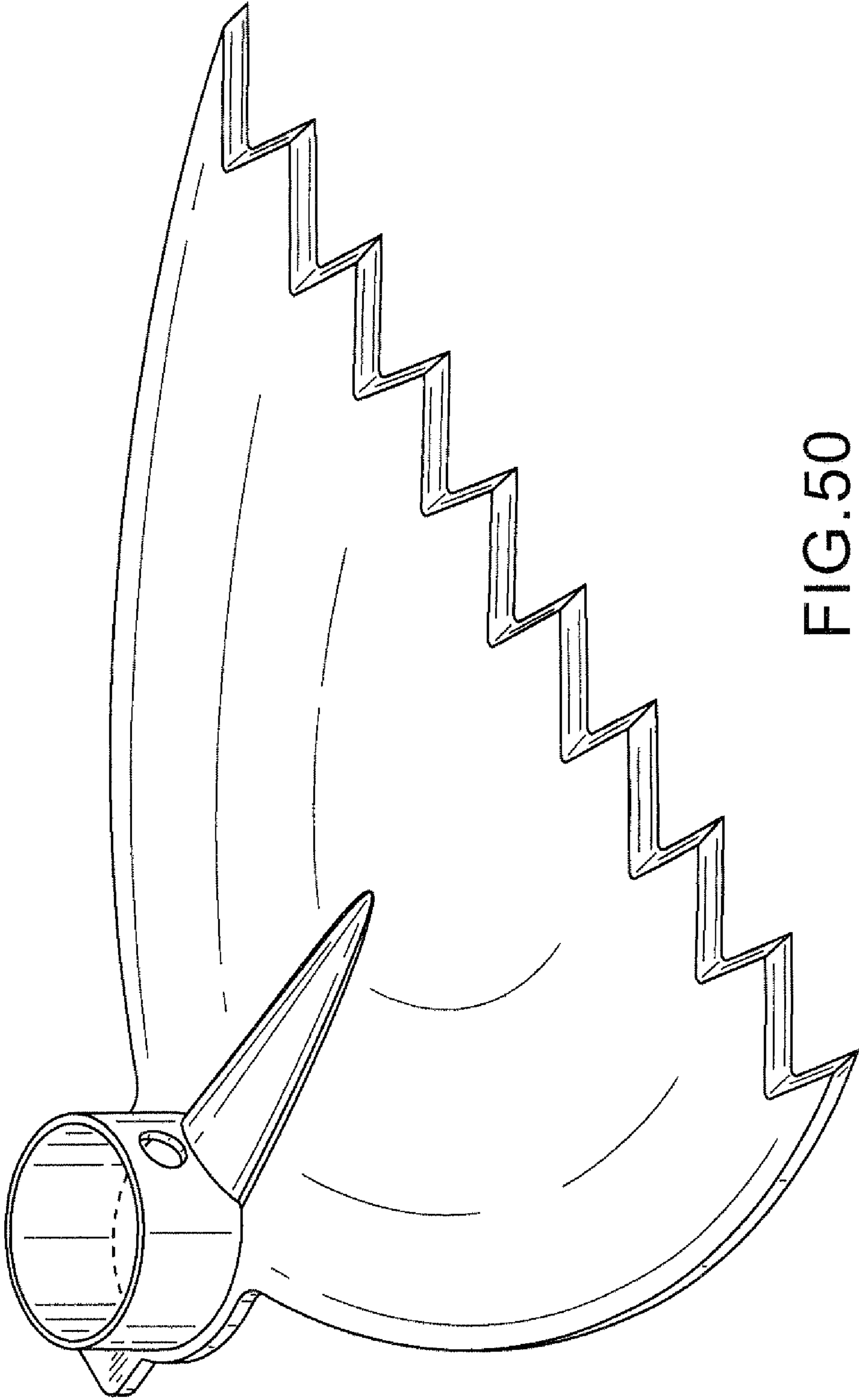


FIG. 50

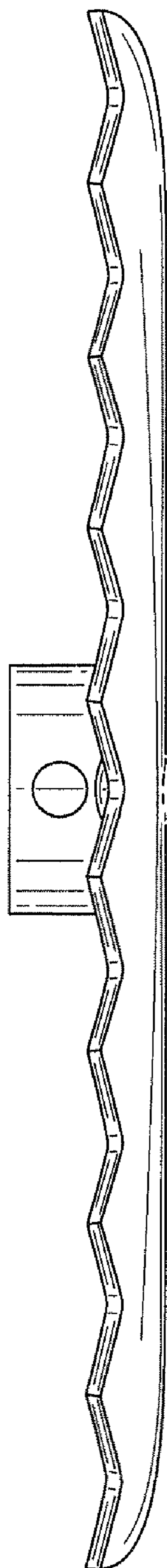


FIG. 51

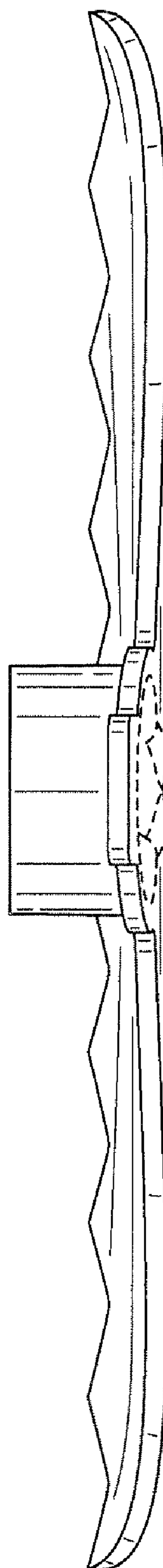


FIG. 52

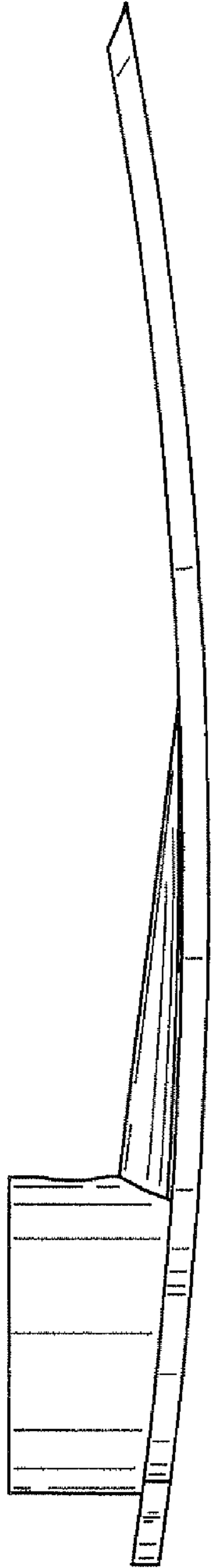


FIG. 53

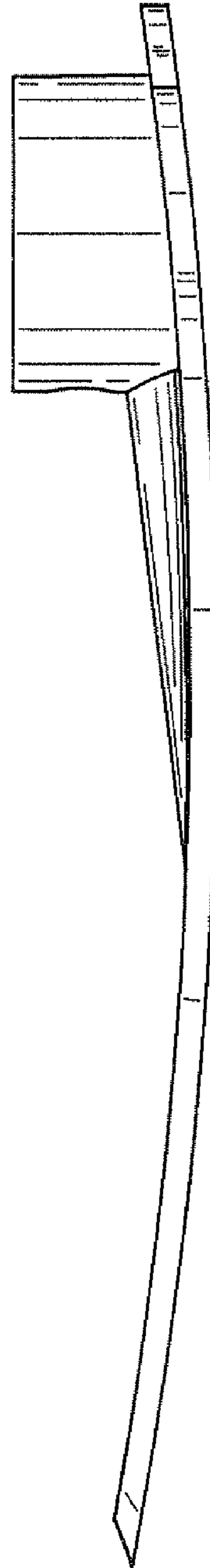


FIG. 54



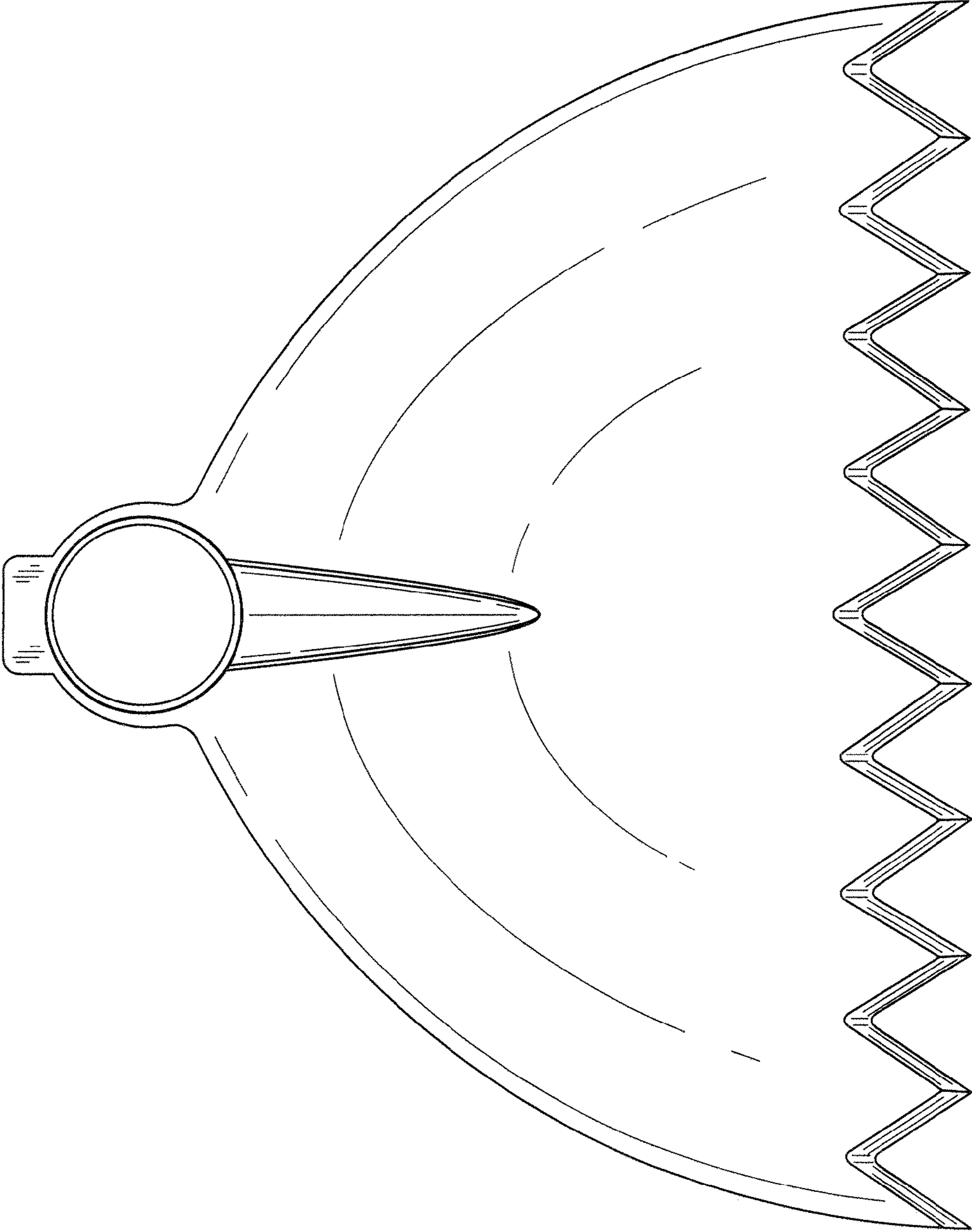


FIG.55

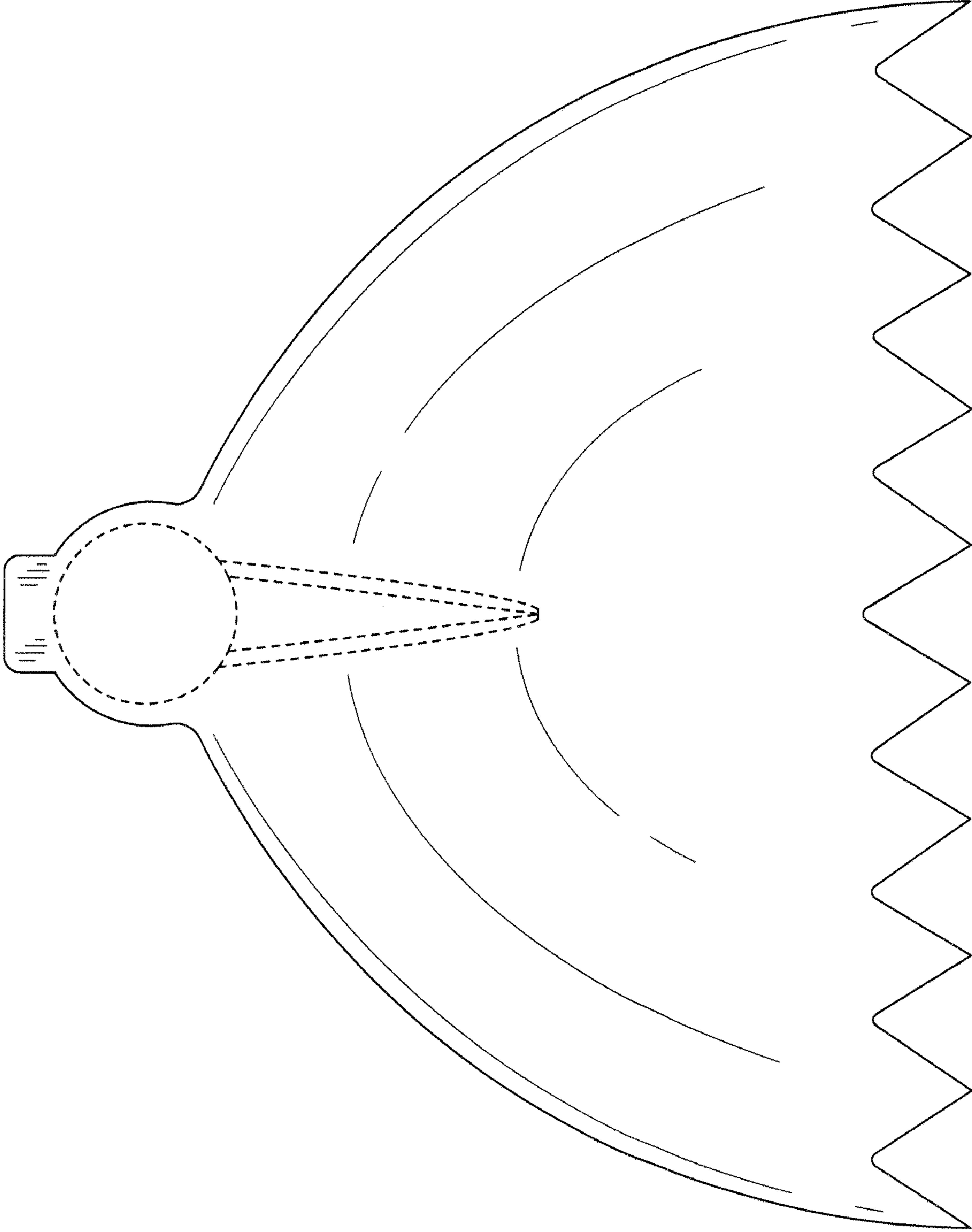


FIG.56