

US00D661957S

(12) **United States Design Patent**
Lee et al.

(10) **Patent No.:** **US D661,957 S**
(45) **Date of Patent:** **** Jun. 19, 2012**

(54) **FUNNEL**
(75) Inventors: **Stuart Harvey Lee**, Forest Hills, NY
(US); **Jochen Schaeppers**, New York, NY
(US)
(73) Assignee: **Robinson Home Products Inc.**, Buffalo,
NY (US)

D593,383 S * 6/2009 Pallotto et al. D7/700
7,678,271 B2 * 3/2010 Curtin 210/232
D629,269 S * 12/2010 Okamoto D7/700
D635,398 S * 4/2011 Watabe D7/400
D645,705 S * 9/2011 Shamoon D7/543
D652,258 S * 1/2012 Lee et al. D7/543
D652,745 S * 1/2012 Lee et al. D10/46.2
2005/0127073 A1 * 6/2005 Kusuma et al. 220/6
2010/0170840 A1 * 7/2010 Curtin 210/232

(**) Term: **14 Years**
(21) Appl. No.: **29/397,733**
(22) Filed: **Jul. 20, 2011**

(51) **LOC (9) Cl.** **07-99**
(52) **U.S. Cl.** **D7/700**
(58) **Field of Classification Search** D7/700,
D7/400, 368, 543, 523, 396.2, 510, 512;
D23/200; 141/331, 332, 333, 334, 337, 340,
141/345, 297-300; 220/86.2; D10/46.2;
D14/208; D30/129, 132; D15/150; D24/122;
D9/436

See application file for complete search history.

(56) **References Cited**

U.S. PATENT DOCUMENTS

42,684 A * 5/1864 Otis 141/94
216,530 A * 6/1879 Pfitzenmeier 141/94
1,048,546 A * 12/1912 Ketcham 210/470
D560,106 S * 1/2008 Curtin D7/700
D567,038 S * 4/2008 Carallo D7/700
D571,614 S * 6/2008 Curtin D7/545
7,396,339 B2 * 7/2008 Britto et al. 604/74
D582,101 S * 12/2008 Shamoon D30/129

OTHER PUBLICATIONS

Funnels, Progressive Collapsible Funnel, Christopher Kimball Blog,
posted Mar. 11, 2010, [online], [site visited Mar. 11, 2012]. Available
from Internet, < <http://christopherkimball.wordpress.com/page/6/>
>.*

* cited by examiner

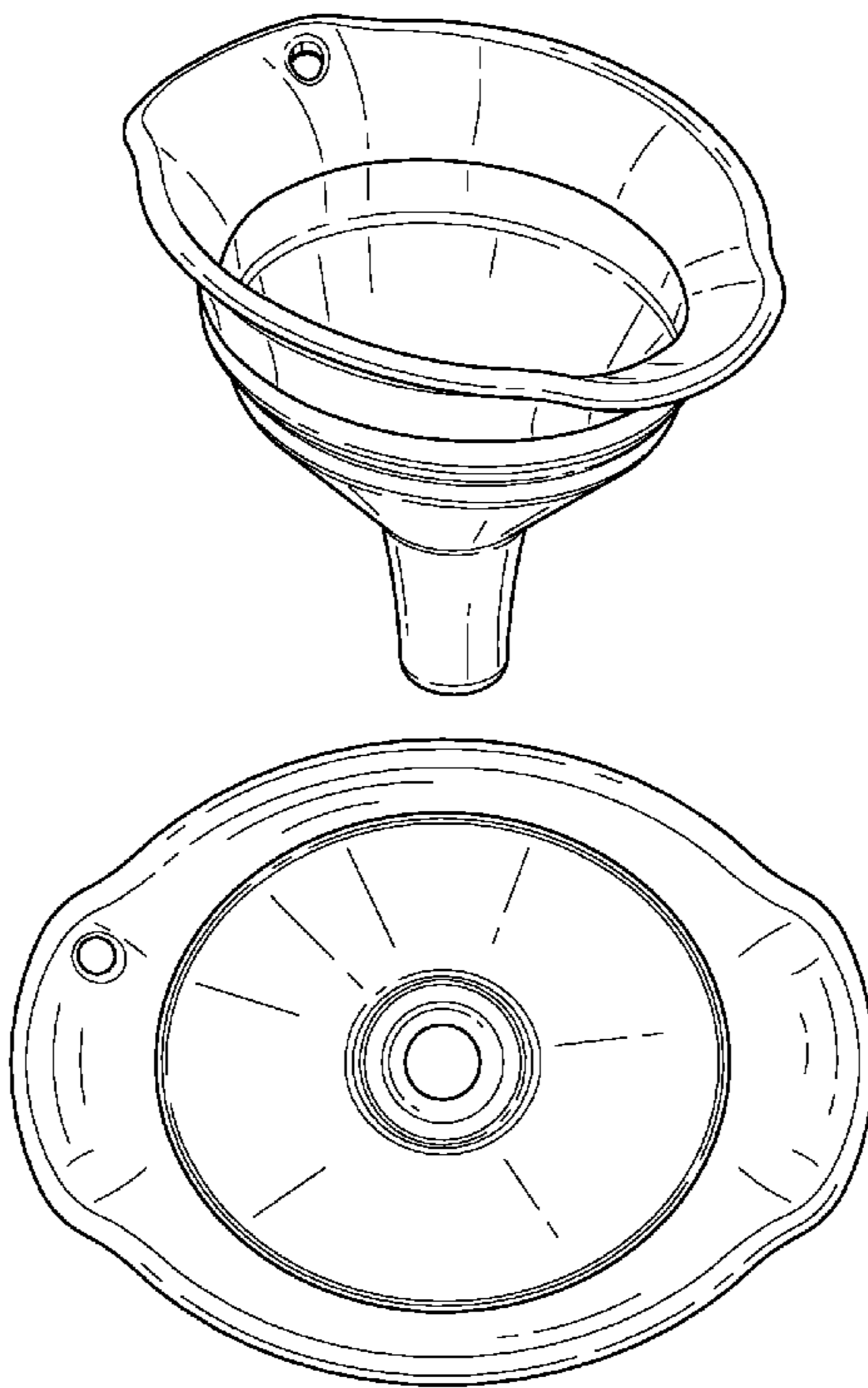
Primary Examiner — Jeffrey D Asch
(74) *Attorney, Agent, or Firm* — Brian B. Shaw, Esq.; Harter
Secrest & Emery LLP

(57) **CLAIM**
The ornamental design for a funnel, as shown and described.

DESCRIPTION

FIG. 1 is a perspective view of a funnel.
FIG. 2 is a top plan view of the funnel of FIG. 1.
FIG. 3 is a front elevation view of the funnel of FIG. 1.
FIG. 4 is a left elevation view of the funnel of FIG. 1.
FIG. 5 is a rear elevation view of the funnel of FIG. 1.
FIG. 6 is a right elevation view of the funnel of FIG. 1; and,
FIG. 7 is a bottom plan view of the funnel of FIG. 1.

1 Claim, 4 Drawing Sheets



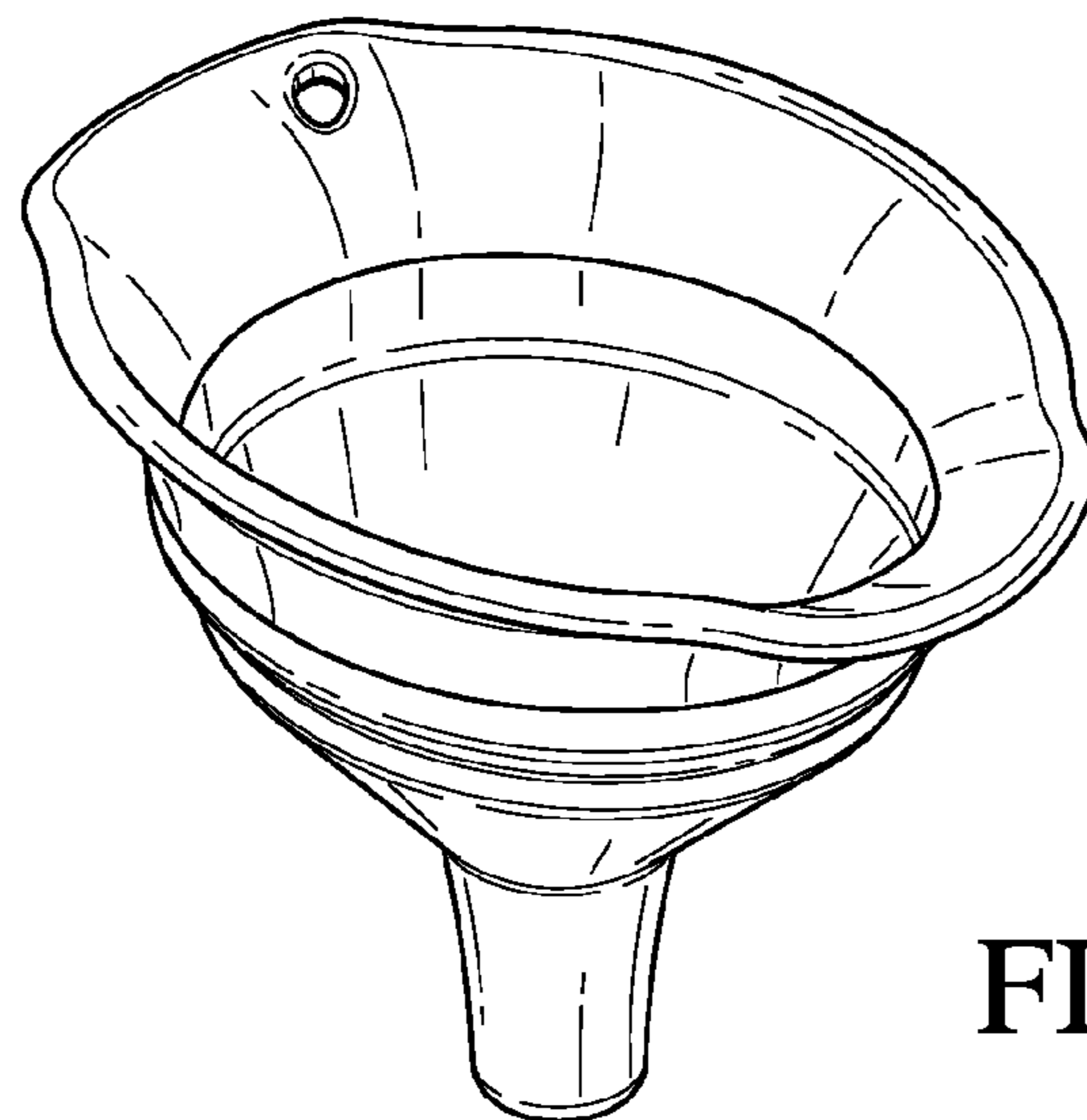


FIG. 1

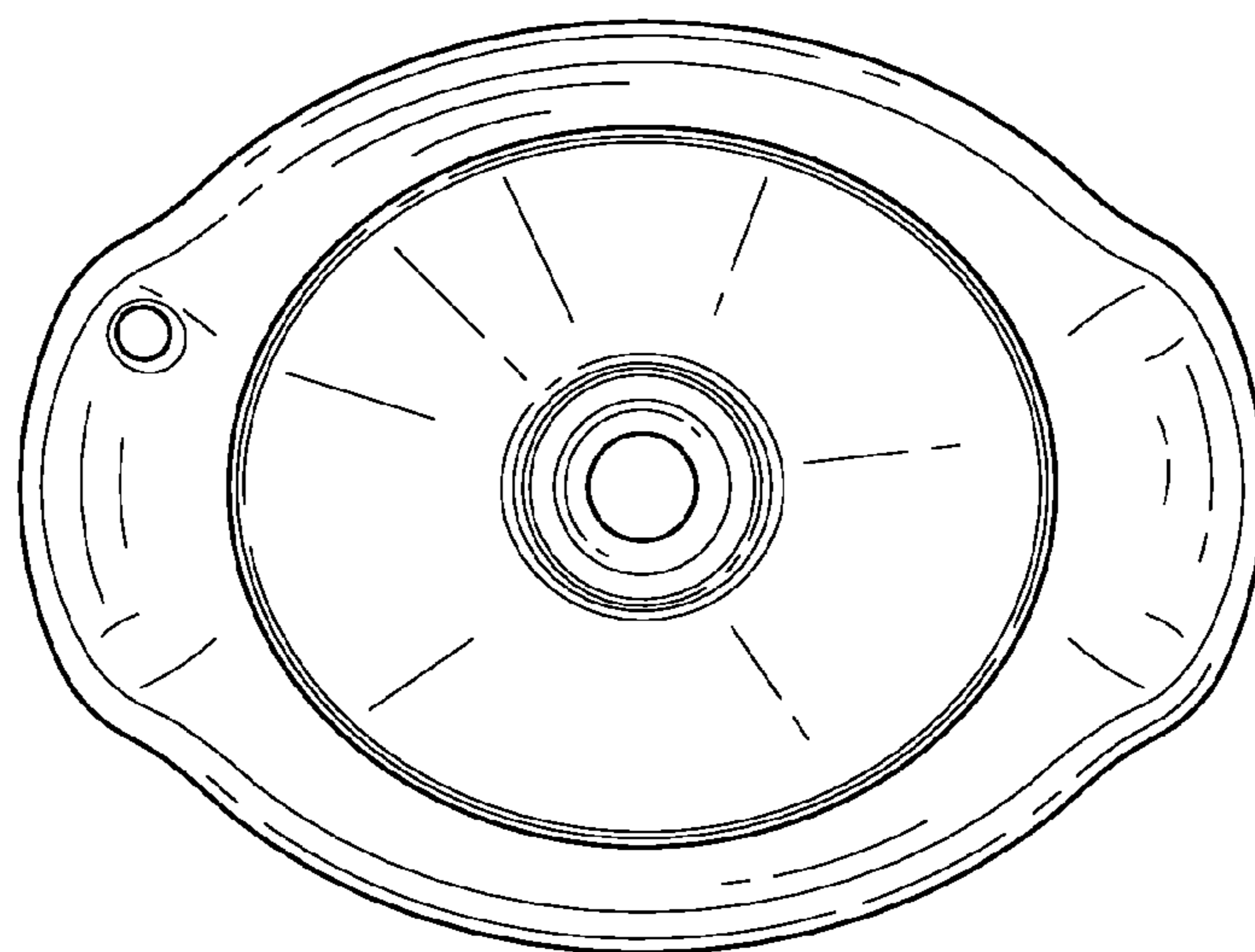


FIG. 2

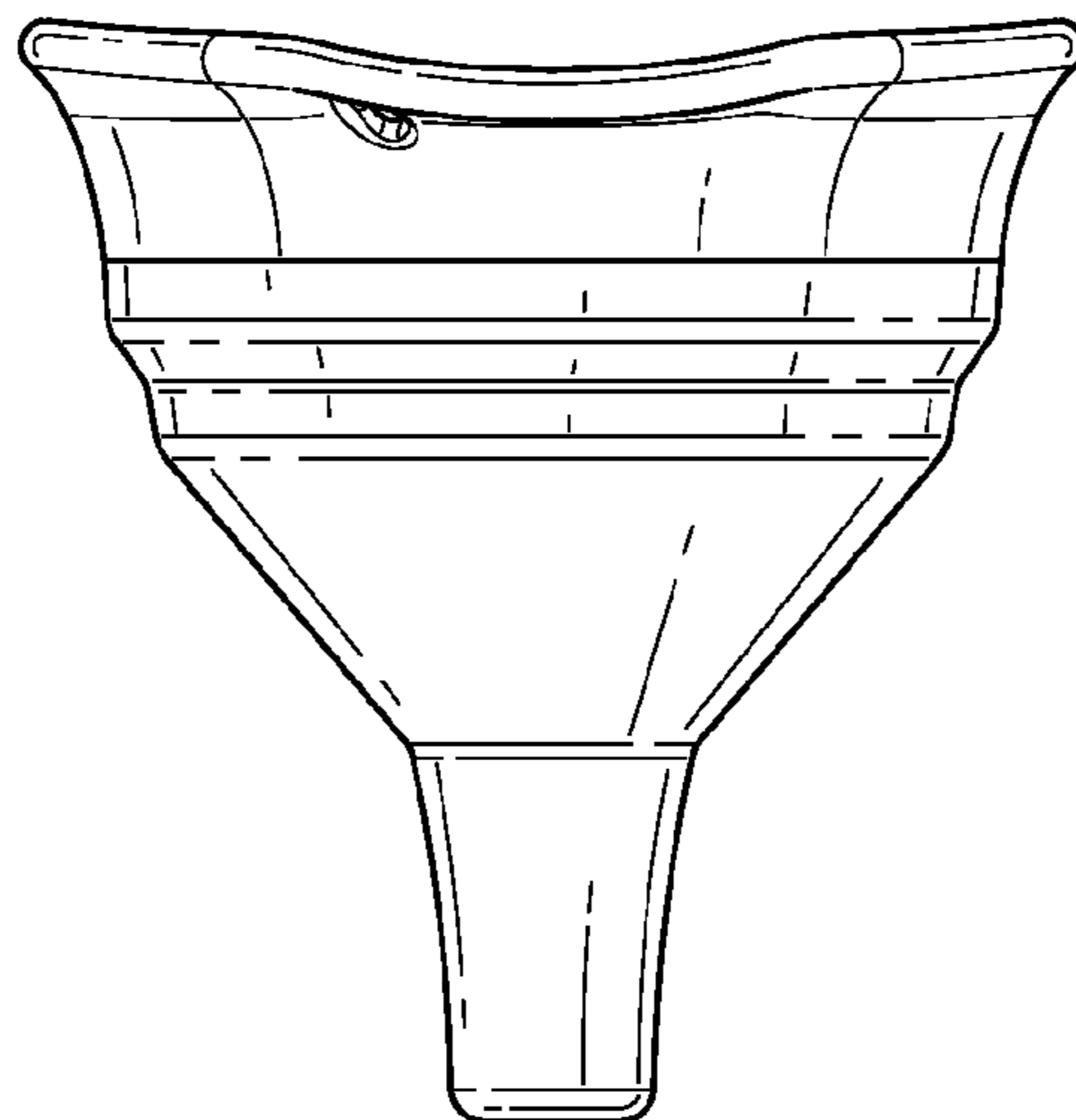


FIG. 3

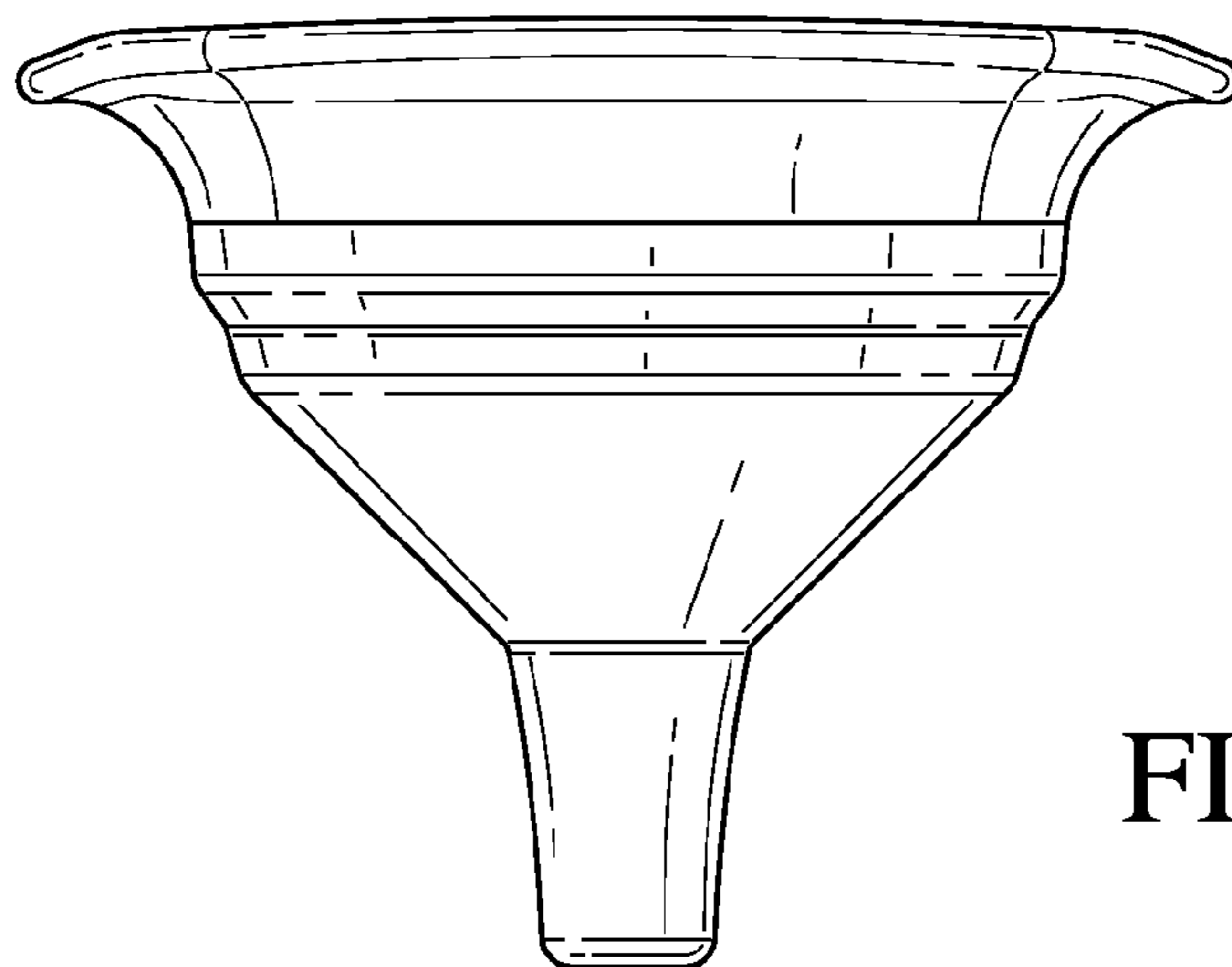


FIG. 4

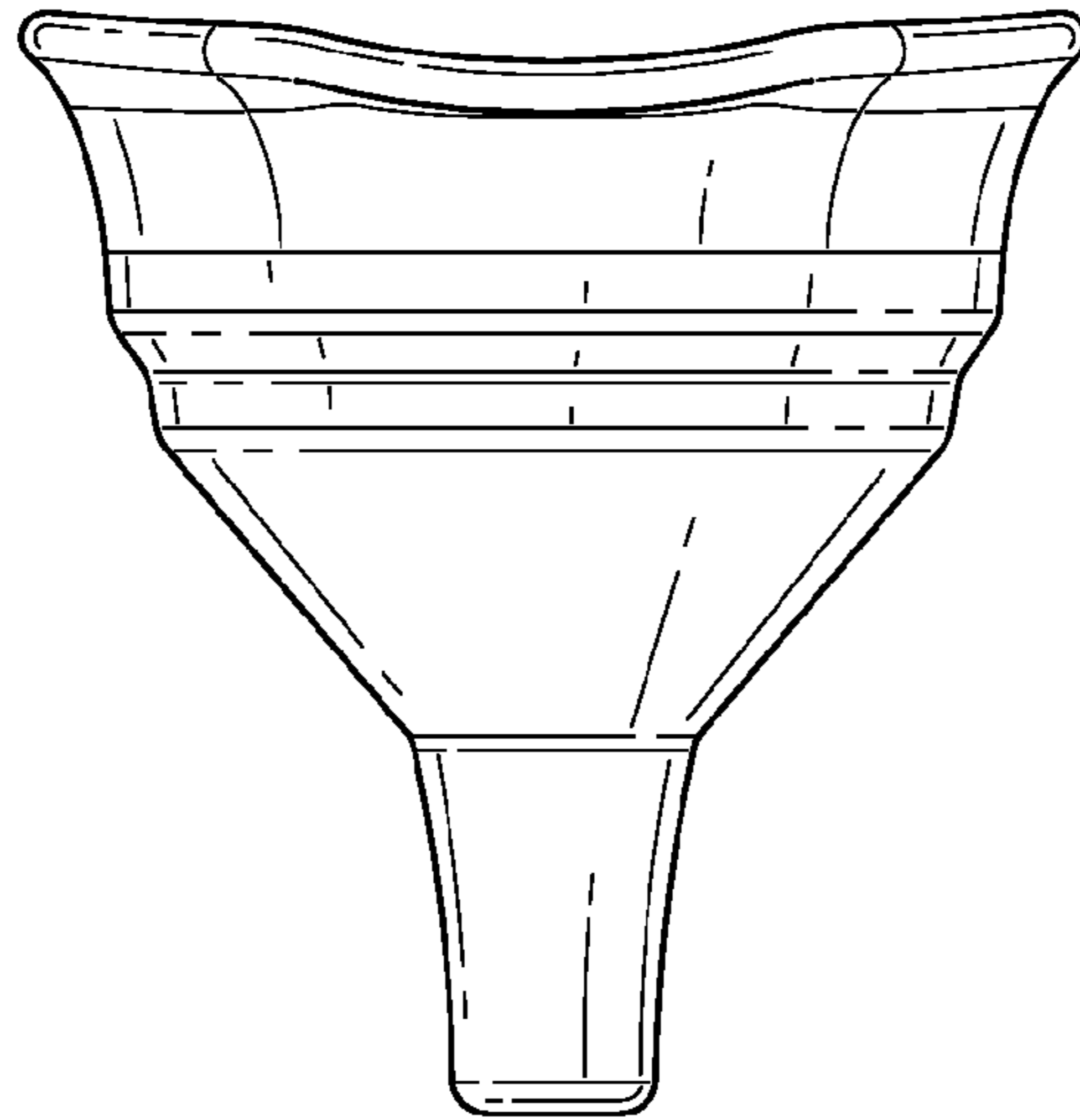


FIG. 5

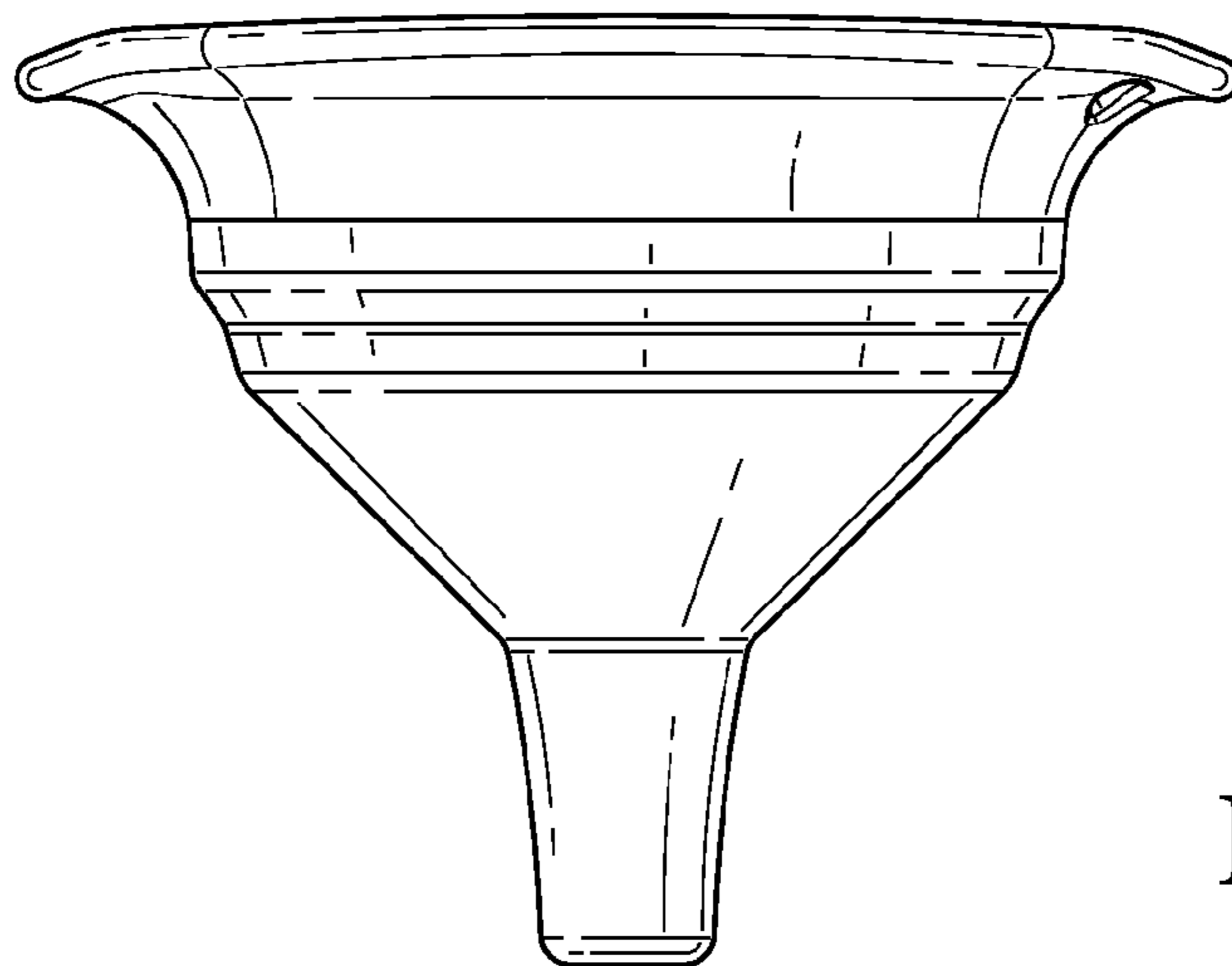


FIG. 6

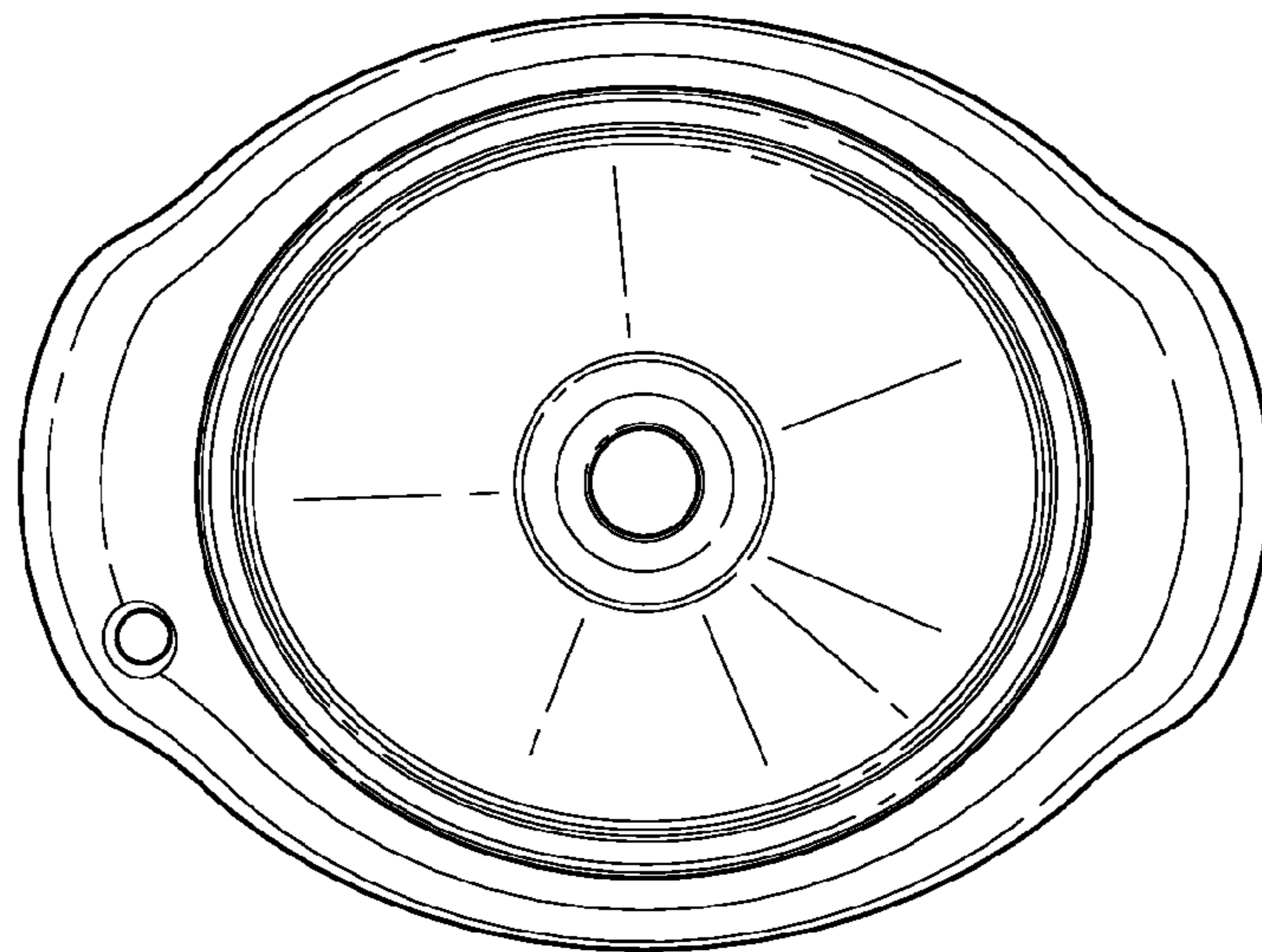


FIG. 7