



US00D661954S

(12) **United States Design Patent**
Malcolm et al.

(10) **Patent No.:** **US D661,954 S**
(45) **Date of Patent:** **** Jun. 19, 2012**

(54) **GARDEN RAKE FORK**

(76) Inventors: **Carter T. Malcolm**, Ann Arbor, MI (US); **Jacqueline K. Malcolm**, Ann Arbor, MI (US)

(**) Term: **14 Years**

(21) Appl. No.: **29/370,941**

(22) Filed: **Sep. 24, 2010**

(51) **LOC (9) Cl.** **07-03**

(52) **U.S. Cl.** **D7/660; D7/653**

(58) **Field of Classification Search** D7/368, D7/395, 401.2, 642-646, 649-657, 660-664, D7/669, 675-676, 683, 688-692, 695-696; D11/124; D21/626; 30/137, 141-143, 147-150, 30/299, 322-327, 329, 340, 342-344; 222/191; 416/70 R

See application file for complete search history.

(56) **References Cited**

U.S. PATENT DOCUMENTS

D45,367 S *	3/1914	Bentz	D7/655
D49,245 S *	6/1916	Wilkes	D7/656
2,732,187 A *	1/1956	Benedetto	222/191
D200,175 S *	1/1965	Ross	D7/657
D231,721 S *	6/1974	Pearson	D7/655
D439,543 S *	3/2001	Branaman	D11/124

D491,236 S *	6/2004	Brown	D21/626
D554,439 S *	11/2007	Malcolm et al.	D7/653
D554,440 S *	11/2007	Malcolm et al.	D7/653
D639,617 S *	6/2011	Malcolm et al.	D7/660
2009/0077812 A1 *	3/2009	Malcolm et al.	30/142

* cited by examiner

Primary Examiner — Ricky Pham

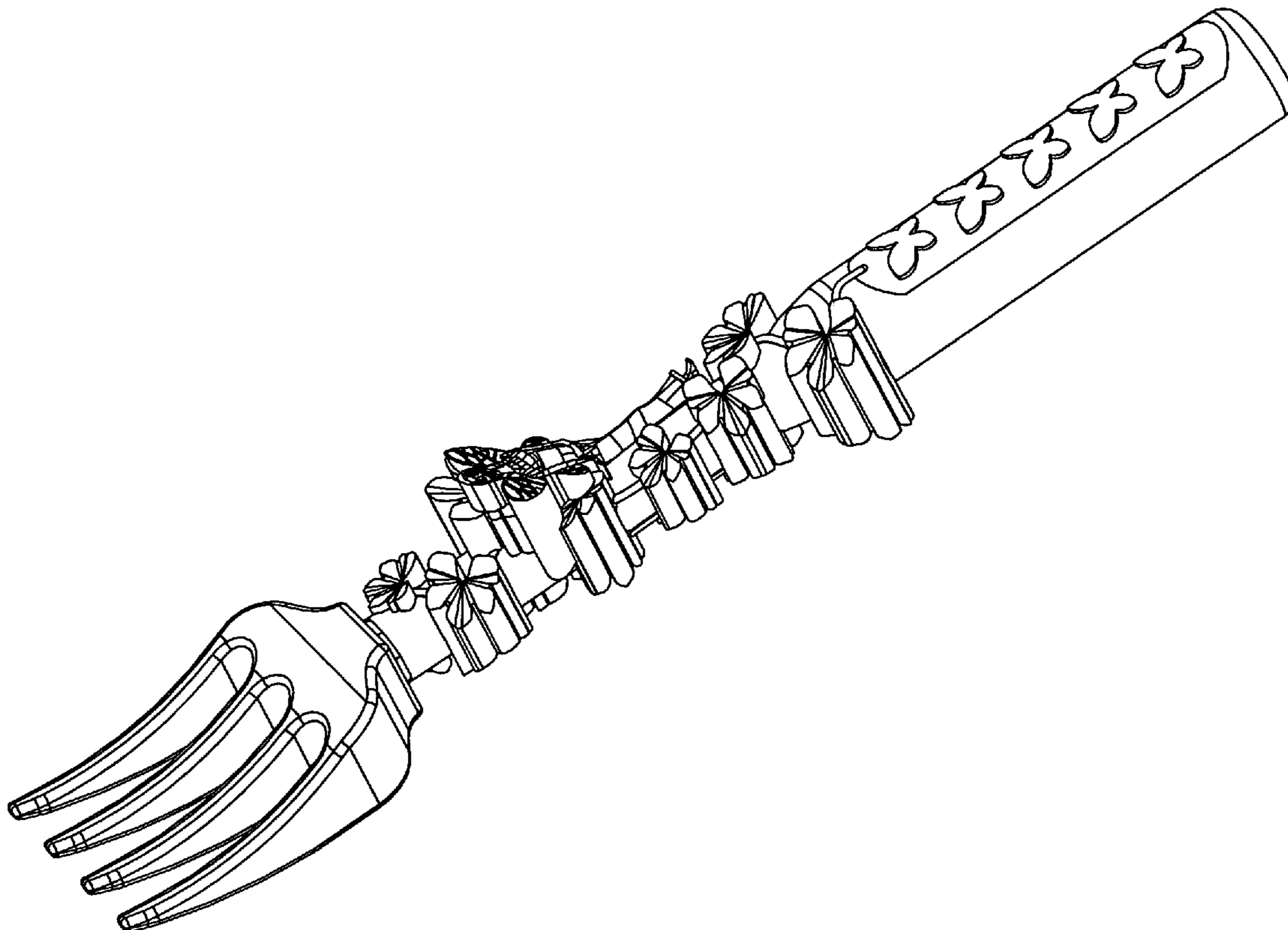
(57) **CLAIM**

The ornamental design for a garden rake fork, as shown.

DESCRIPTION

FIG. 1 is a perspective view of the garden rake fork;
 FIG. 2 is an enlarged detailed perspective view of the fairy on the garden rake fork;
 FIG. 3 is a top plan view of the garden rake fork of FIG. 1;
 FIG. 4 is an enlarged detailed top plan view of the fairy on the garden rake fork;
 FIG. 5 is a front view of the garden rake fork of FIG. 1;
 FIG. 6 is a rear view of the garden rake fork of FIG. 1;
 FIG. 7 is a bottom plan view of the garden rake fork of FIG. 1;
 FIG. 8 is a right side elevational view of the garden rake fork of FIG. 1; and,
 FIG. 9 is a left side elevational view of the garden rake fork of FIG. 1.

1 Claim, 4 Drawing Sheets



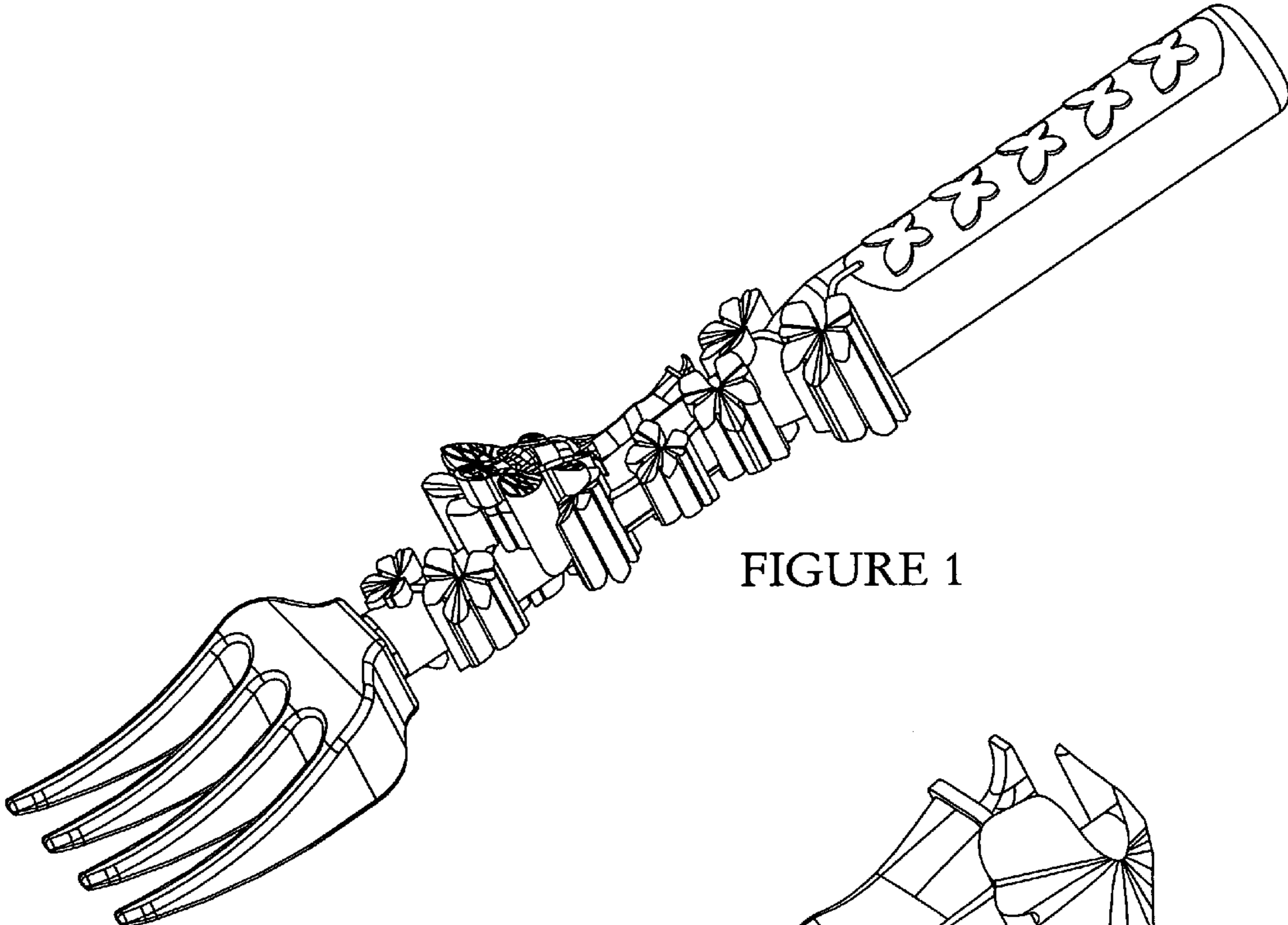


FIGURE 1

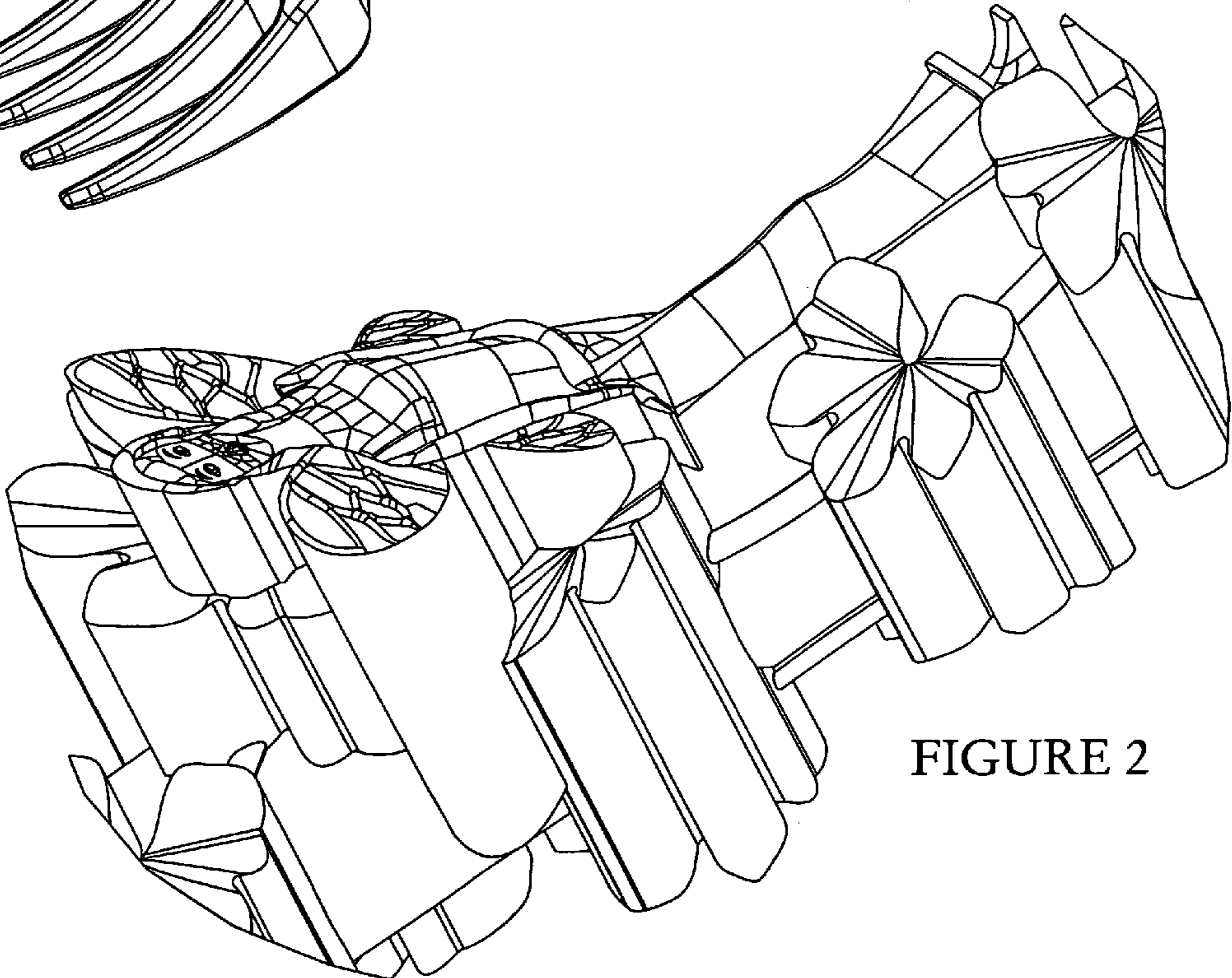


FIGURE 2

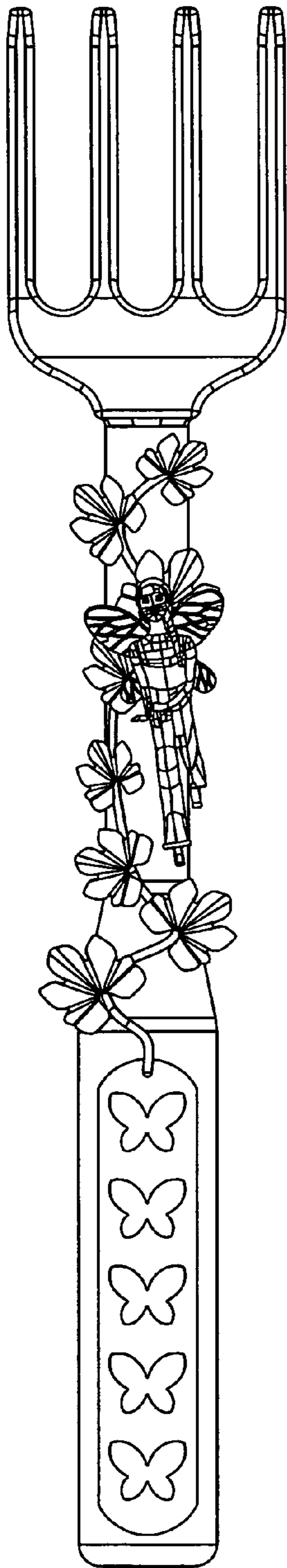


FIGURE 3

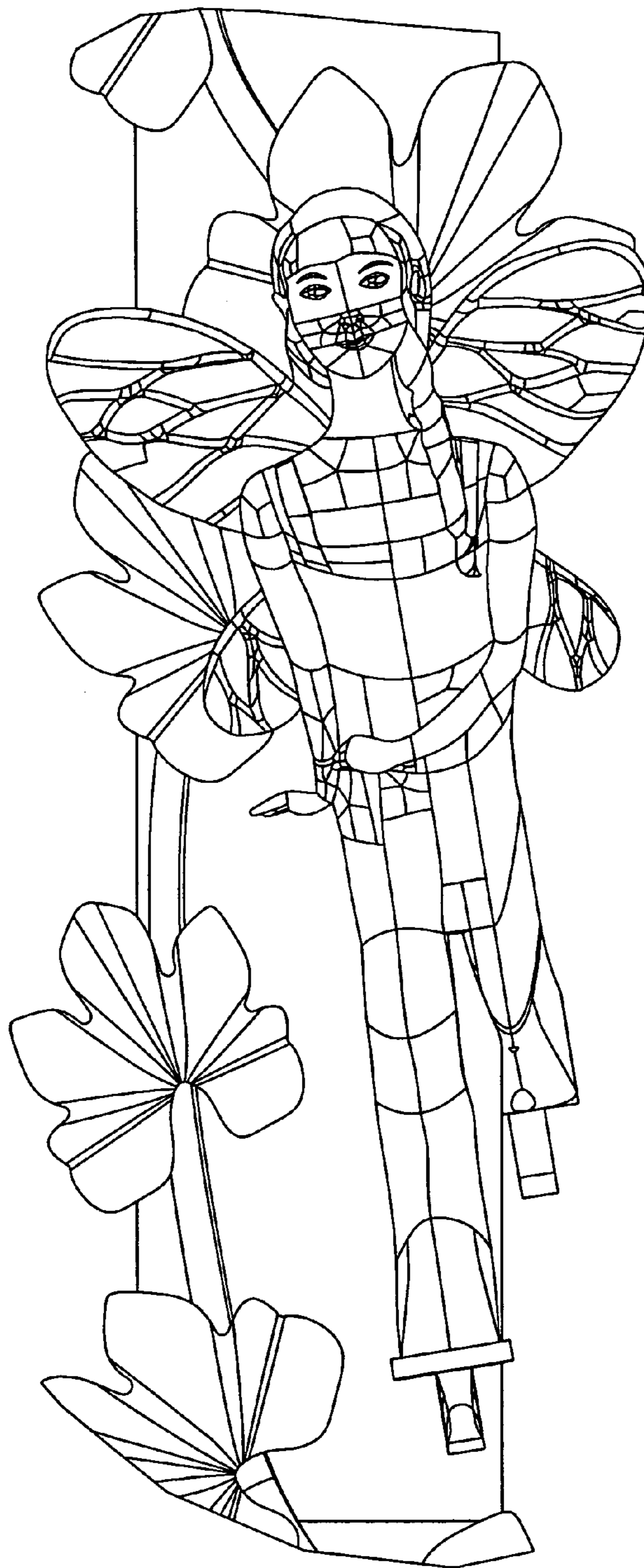


FIGURE 4

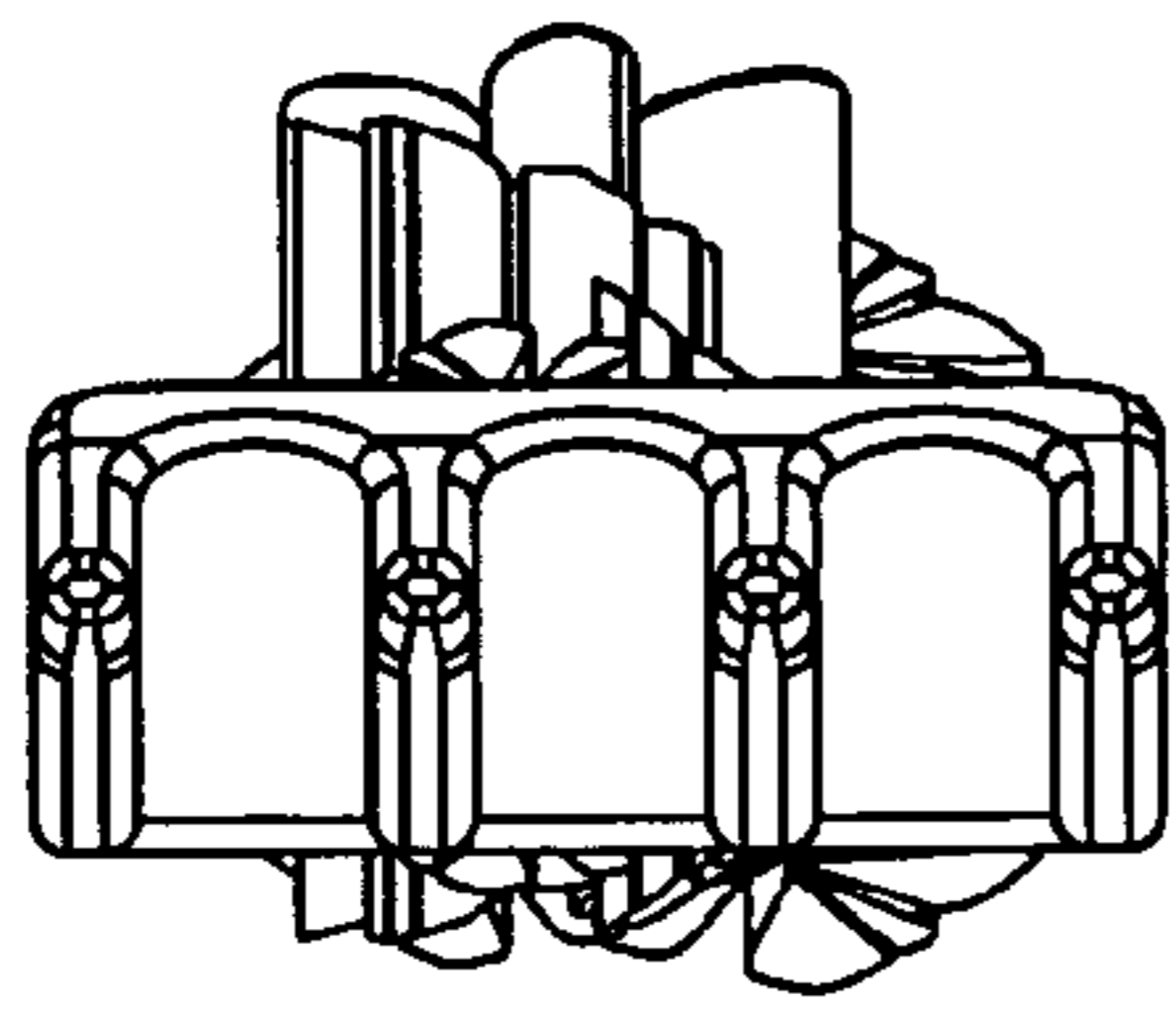


FIGURE 5

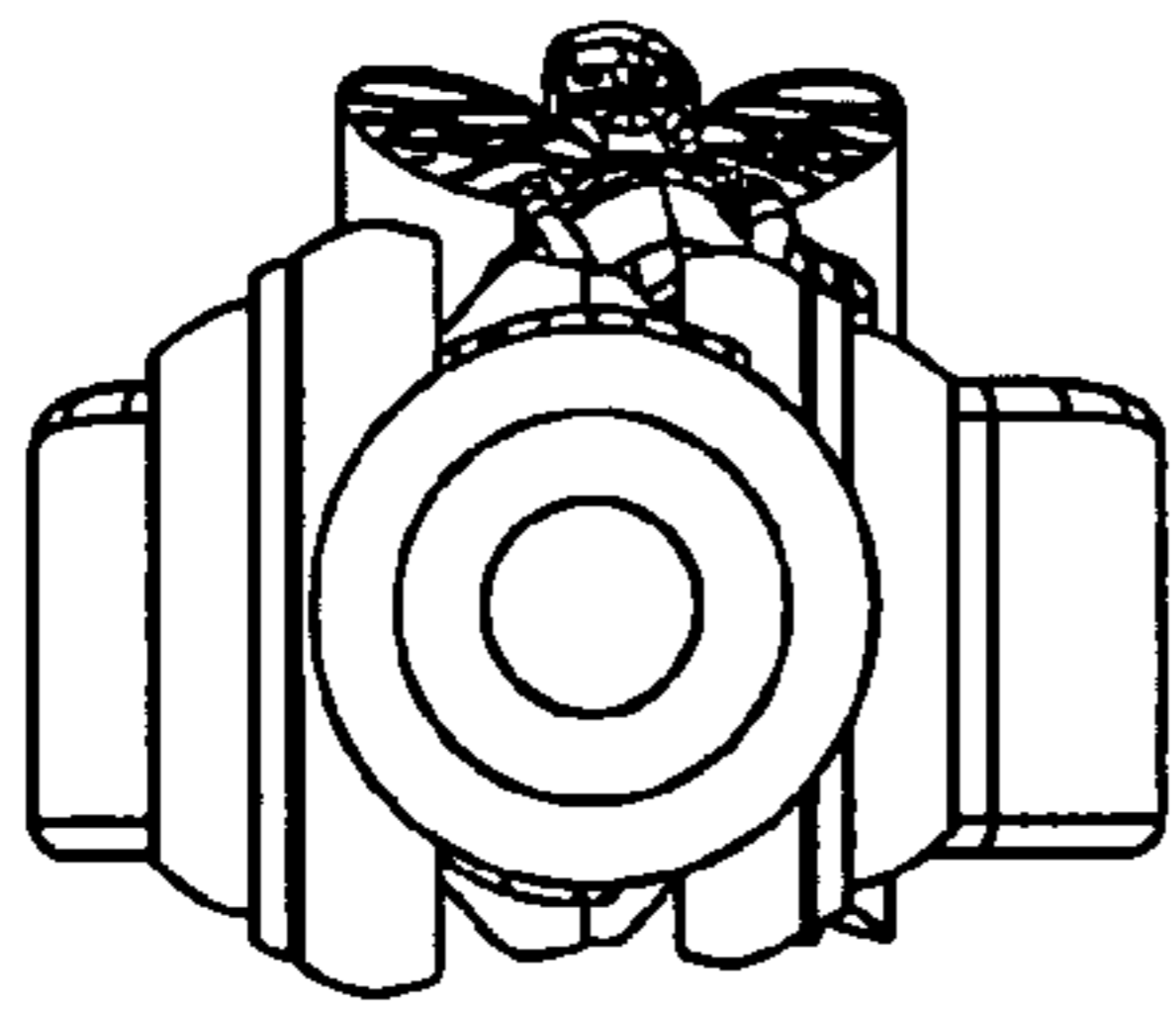


FIGURE 6

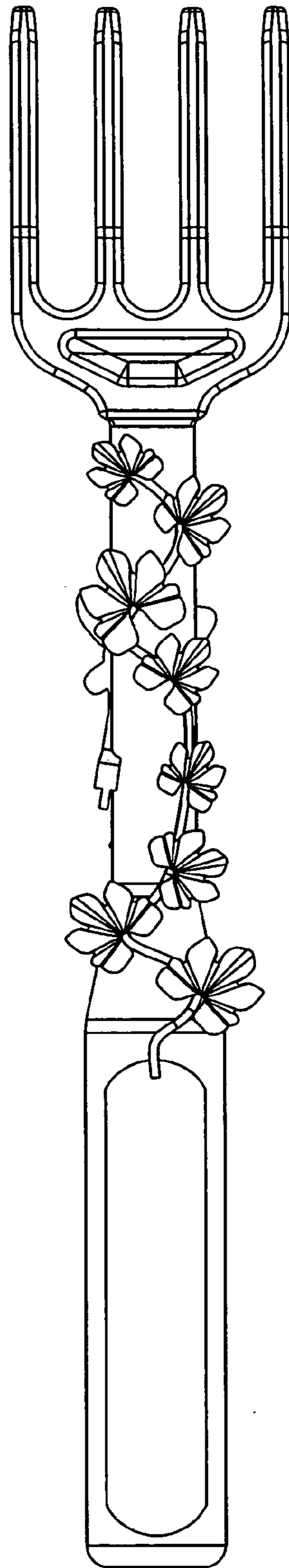


FIGURE 7

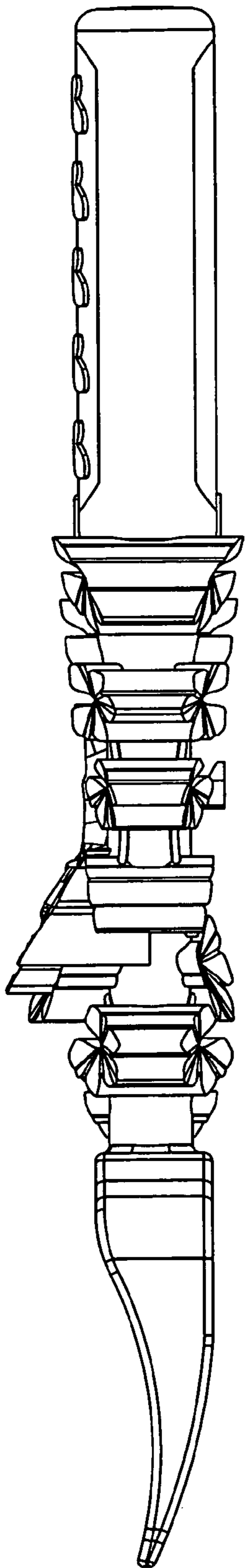


FIGURE 8

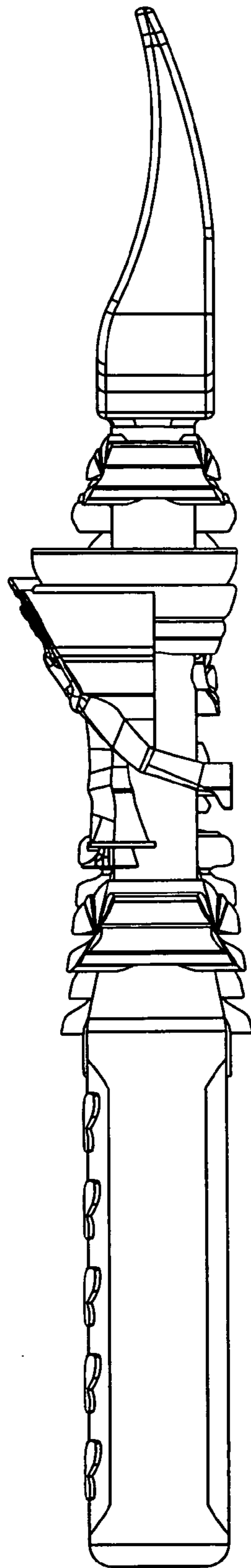


FIGURE 9