

US00D661953S

(12) **United States Design Patent**
Harshman

(10) **Patent No.:** **US D661,953 S**
(45) **Date of Patent:** **** Jun. 19, 2012**

(54) **COMBINED CAKE PLATE AND STAND**

(75) Inventor: **Trent A. Harshman**, Galveston, IN (US)

(73) Assignee: **Syndicate Sales, Inc.**, Kokomo, IN (US)

(**) Term: **14 Years**

(21) Appl. No.: **29/372,501**

(22) Filed: **Nov. 30, 2010**

(51) **LOC (9) Cl.** **07-07**

(52) **U.S. Cl.** **D7/610; D7/558**

(58) **Field of Classification Search** D7/610,
D7/558, 559; 220/780, 787, 212.5; 206/551;
229/906

See application file for complete search history.

(56) **References Cited**

U.S. PATENT DOCUMENTS

D91,578 S	6/1932	Ellsworth	
4,058,929 A	11/1977	O'Connell	
4,197,940 A *	4/1980	DeRossett	220/780
4,941,572 A	7/1990	Harris	
5,082,677 A *	1/1992	Bear	426/124

5,115,915 A	5/1992	Harris	
D368,025 S	3/1996	Sekerak et al.	
5,676,252 A *	10/1997	Lillelund et al.	206/551
D405,651 S *	2/1999	Schmidt	D7/610
6,178,688 B1	1/2001	Keating	
D609,979 S *	2/2010	Soibel et al.	D7/629

* cited by examiner

Primary Examiner — Terry Wallace

(74) *Attorney, Agent, or Firm* — Frank Lachenmaier

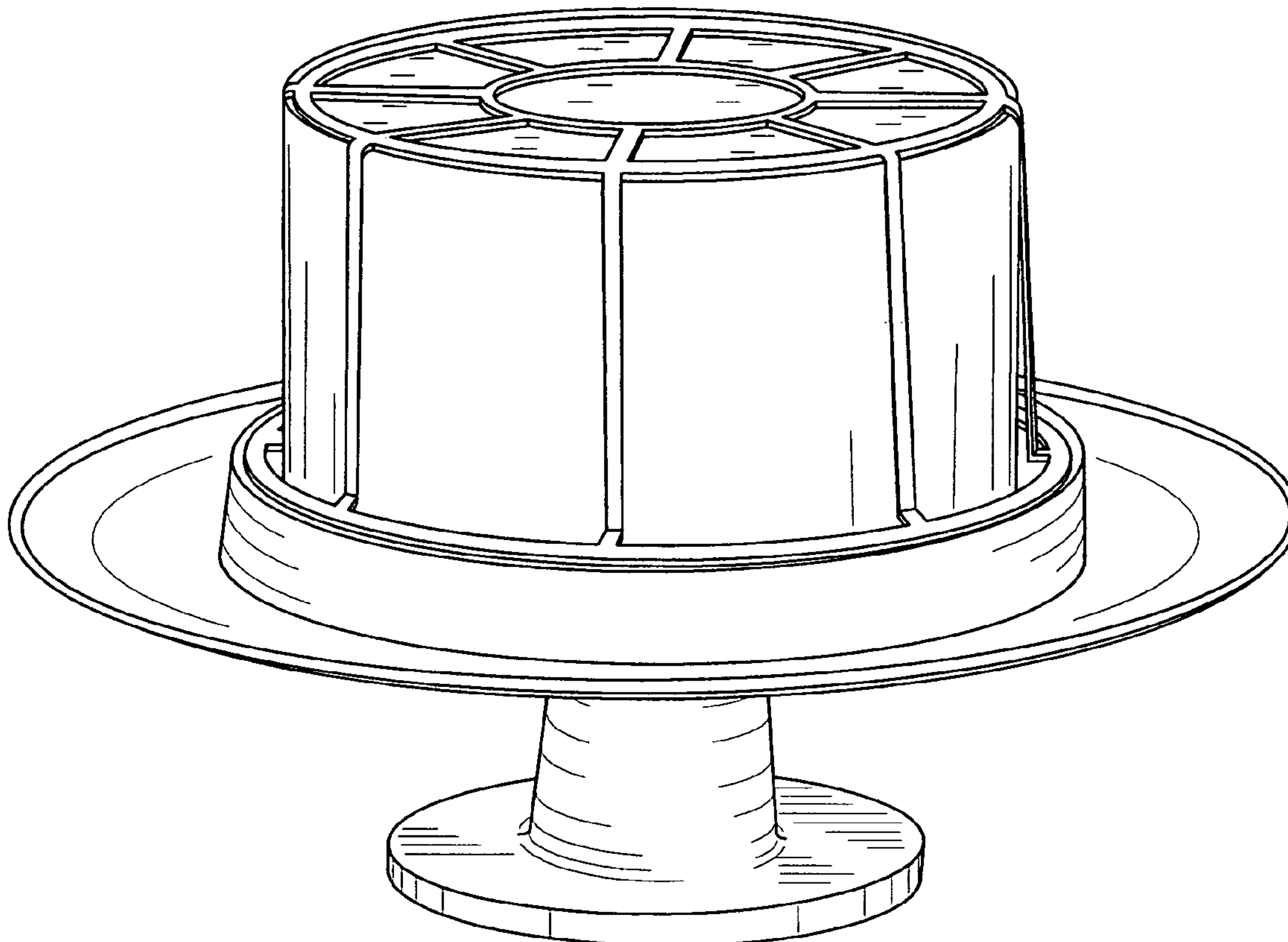
(57) **CLAIM**

The ornamental design for a combined cake plate and stand, as shown and described.

DESCRIPTION

FIG. 1 is a front perspective view of my new combined cake plate and stand design;
FIG. 2 is a top view thereof;
FIG. 3 is a front elevational view thereof, where the right side view, left side view and the back view are all the same;
FIG. 4 is a bottom view; and,
FIG. 5 is a front elevational view thereof with the stand removed for clarity of illustration.

1 Claim, 3 Drawing Sheets



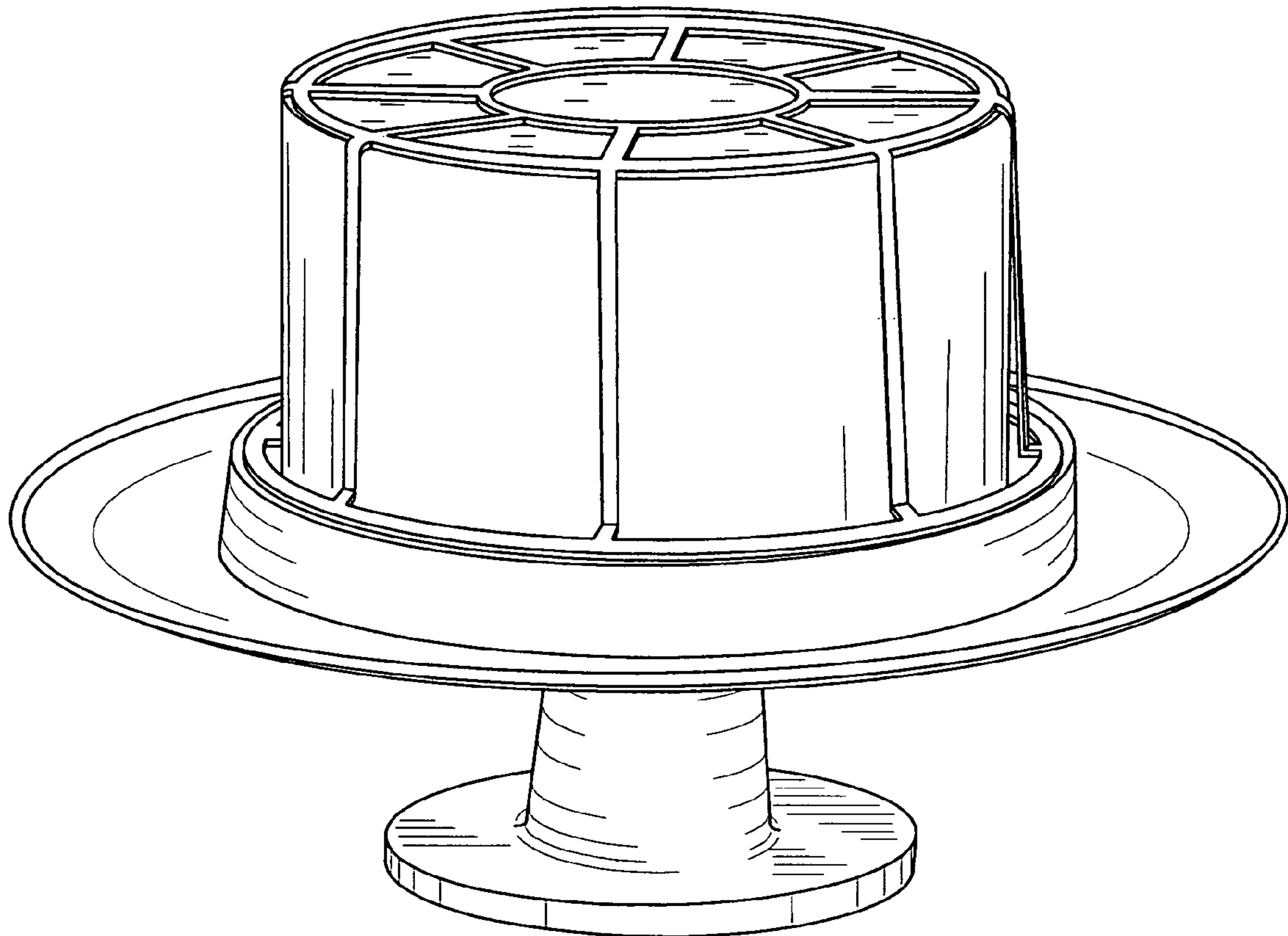


FIG 1

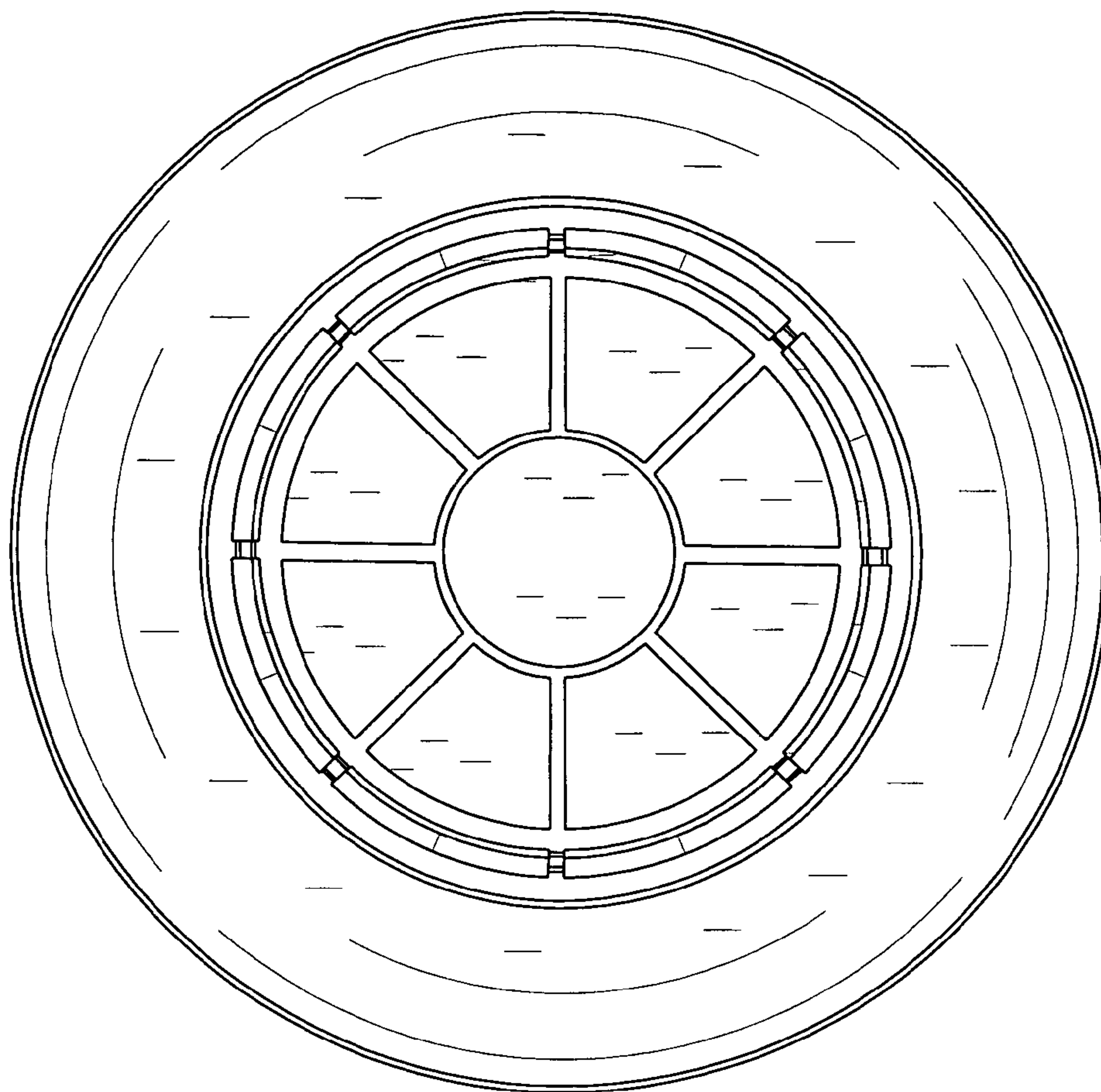


FIG. 2

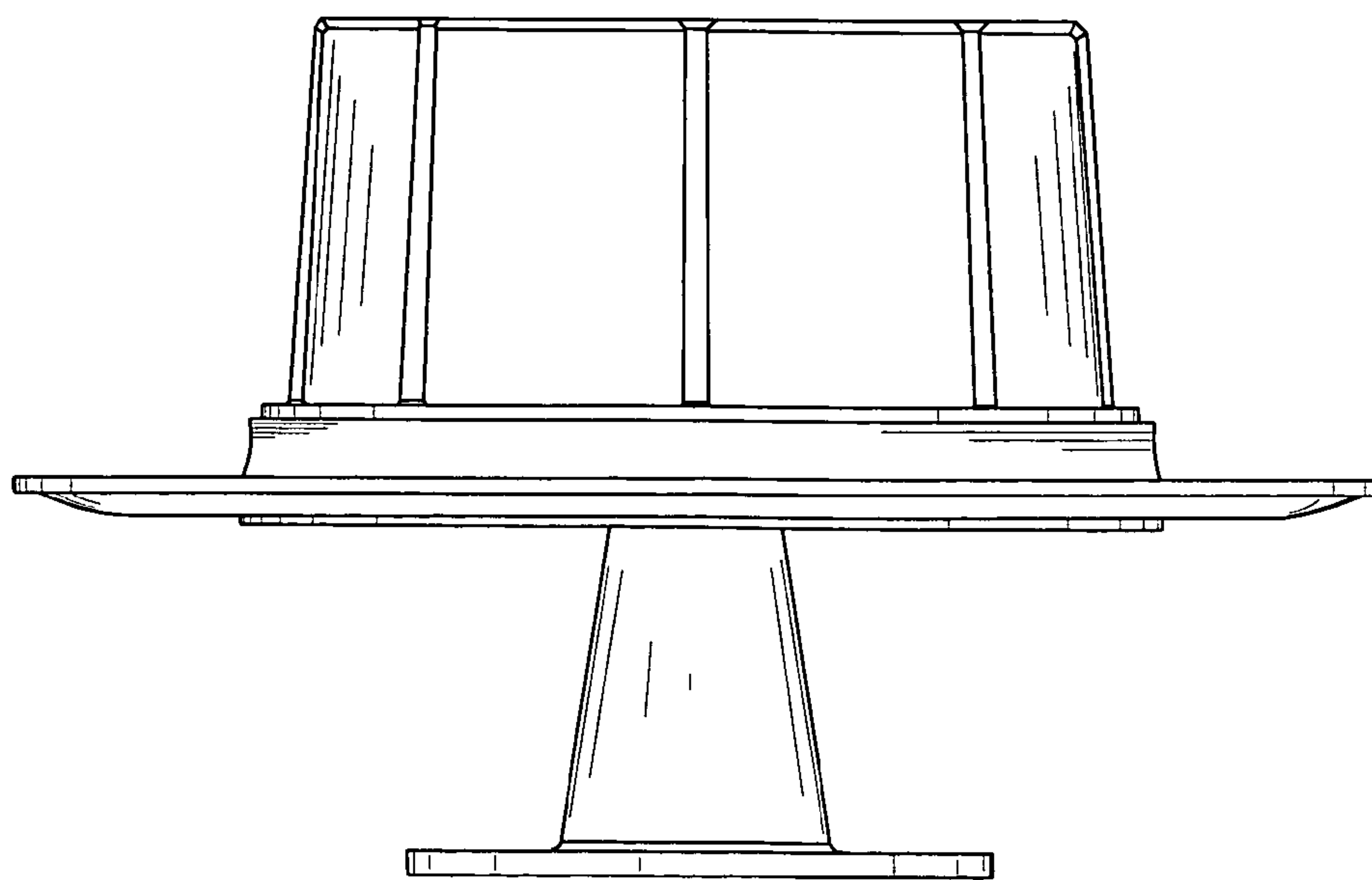


FIG. 3

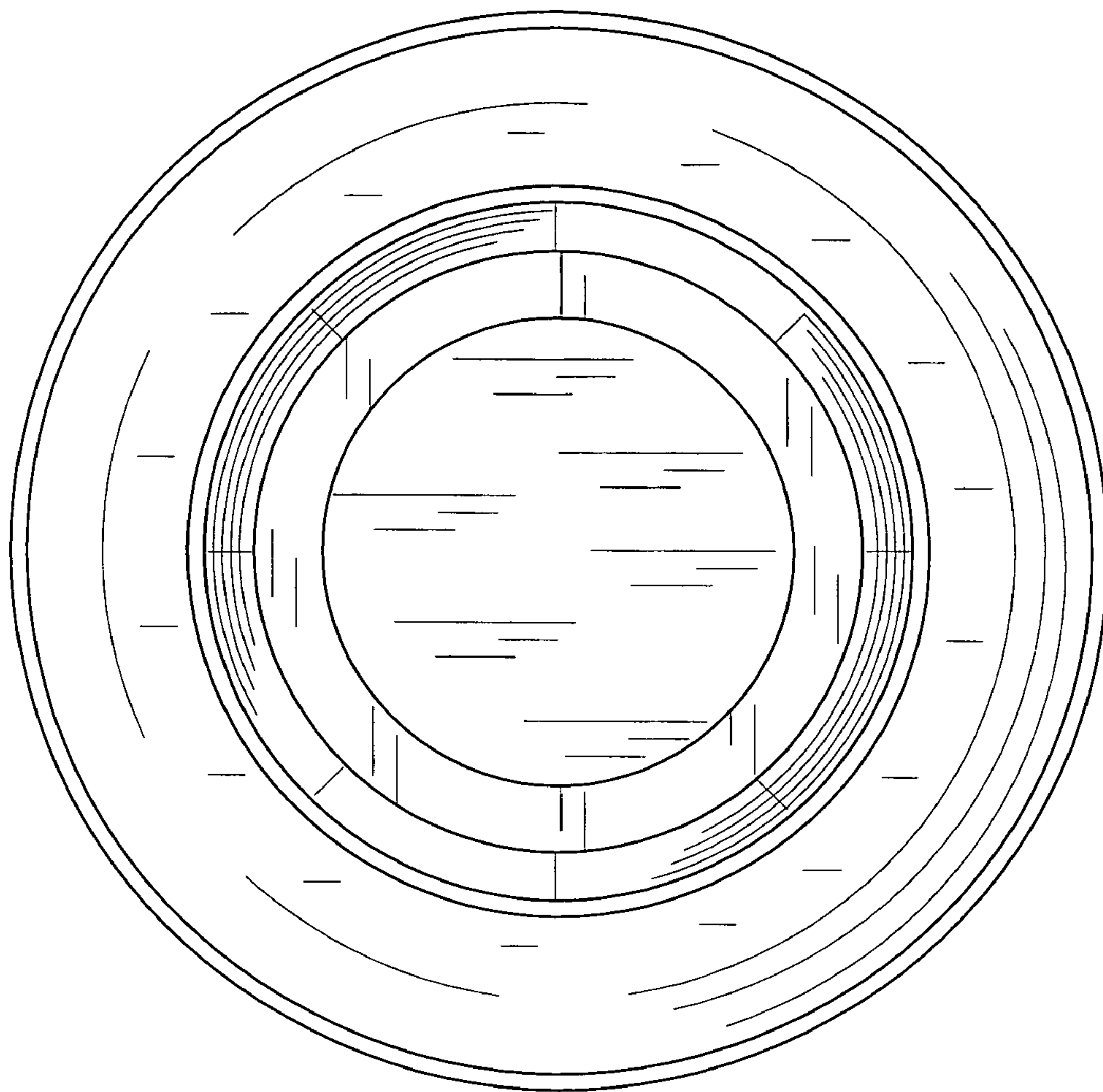


FIG. 4

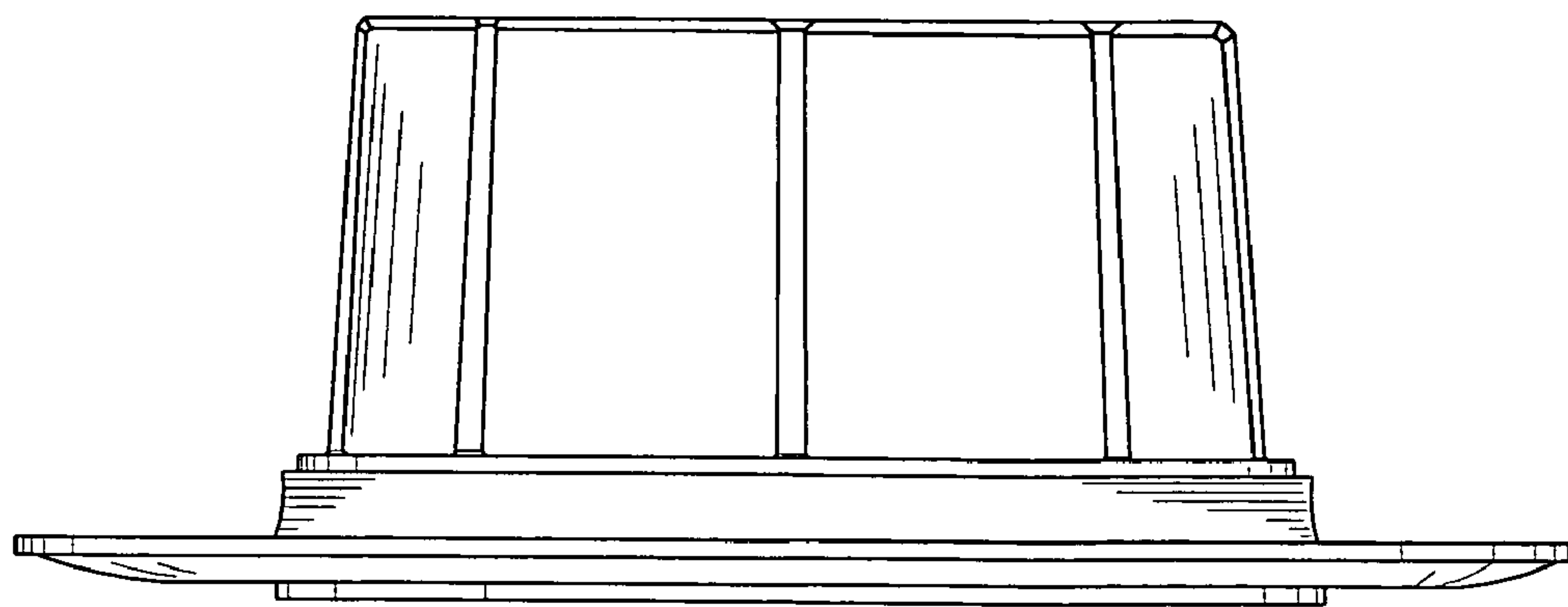


FIG. 5