

US00D661952S

(12) **United States Design Patent**
Tiemann

(10) **Patent No.:** **US D661,952 S**
(45) **Date of Patent:** **** Jun. 19, 2012**

(54) **SLIDING RACK FOR HOLDING BEVERAGE CARTRIDGES**

(74) *Attorney, Agent, or Firm* — Nikolai & Mersereau P.A.; Thomas J. Nikolai

(75) Inventor: **Frank R. Tiemann**, Madison Lake, MN (US)

(57) **CLAIM**

(73) Assignee: **Nifty Home Products, Inc.**, Madison Lake, MN (US)

The ornamental design for the “sliding rack for holding beverage cartridges,” as shown and described.

(**) Term: **14 Years**

DESCRIPTION

(21) Appl. No.: **29/401,809**

(22) Filed: **Sep. 15, 2011**

(51) **LOC (9) Cl.** **07-06**

(52) **U.S. Cl.** **D7/600.1; D7/590; D7/701**

(58) **Field of Classification Search** D7/590,
D7/600.1–600.4, 701–708; D6/454–469,
D6/449, 450; 211/71.01, 70.6, 77, 78, 74,
211/85.31, 181.1, 119.12, 128.1, 133.2, 85.26,
211/85.4; 248/311.2; 118/306, 317
See application file for complete search history.

FIG. 1 is a perspective view of the sliding rack for holding beverage cartridges in a first position;
FIG. 2 is a perspective view of the sliding rack for holding beverage cartridges showing one rack in a second position;
FIG. 3 is a front view of the sliding rack for holding beverage cartridges when the sliding rack is in the first position;
FIG. 4 is a rear view thereof when the sliding rack is in the first position;
FIG. 5 is a top view thereof when the sliding rack is in the first position;
FIG. 6 is a bottom view thereof when the sliding rack is in the first position;
FIG. 7 is a side view thereof when the sliding rack is in the first position;
FIG. 8 is a second side view thereof when the sliding rack is in the first position;
FIG. 9 is a front view of the sliding rack for holding beverage cartridges showing one rack in the second position;
FIG. 10 is a rear view thereof when the sliding rack is in the second position;
FIG. 11 is a top view thereof when the sliding rack is in the second position;
FIG. 12 is a bottom view thereof when the sliding rack is in the second position;
FIG. 13 is a side view thereof when the sliding rack is in the second position; and,
FIG. 14 is a second side view thereof when the sliding rack is in the second position.

(56) **References Cited**

U.S. PATENT DOCUMENTS

D536,936 S	2/2007	Tiemann	
D590,183 S *	4/2009	Hensel	D6/457
D609,057 S	2/2010	Hertaus	
D609,533 S	2/2010	Tiemann	
D620,280 S	7/2010	Snider	
D620,728 S *	8/2010	Snider	D6/462
D621,640 S	8/2010	Tiemann	
D626,382 S	11/2010	Tiemann	
D629,655 S	12/2010	Tiemann	
D634,978 S	3/2011	Tiemann	
D634,979 S	3/2011	Tiemann	

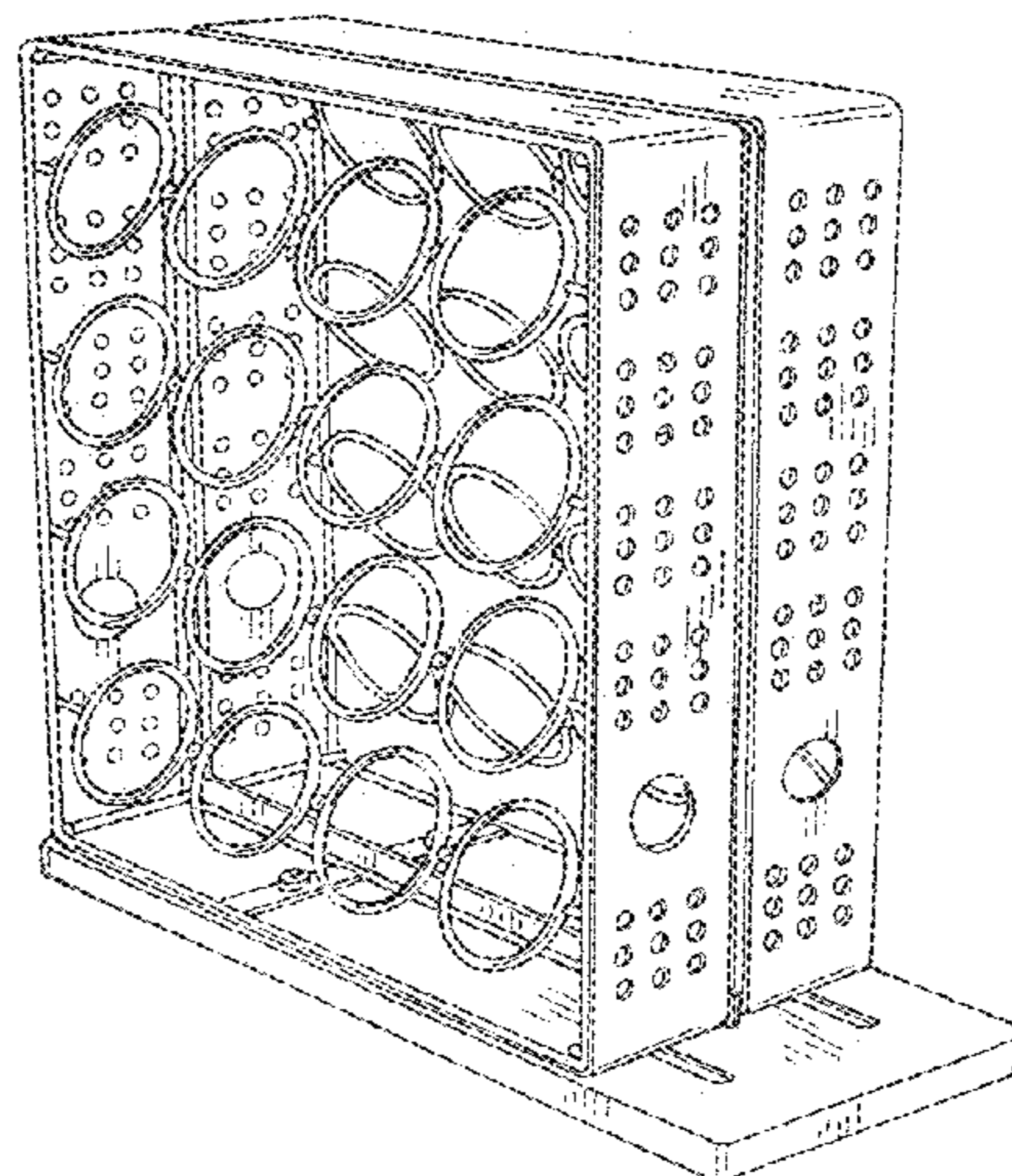
(Continued)

FOREIGN PATENT DOCUMENTS

CA 138042 7/2011

Primary Examiner — Terry Wallace

1 Claim, 12 Drawing Sheets



US D661,952 S

Page 2

U.S. PATENT DOCUMENTS													
D635,405	S	*	4/2011	Tiemann	D7/600.4		2003/0178381	A1*	9/2003	Liang	211/74
D636,643	S		4/2011	Tiemann				2007/0045206	A1	3/2007	Tiemann		
8,061,538	B2	*	11/2011	Seldon	211/74		2008/0283481	A1*	11/2008	Evans et al.	211/74

* cited by examiner

FIG. 1

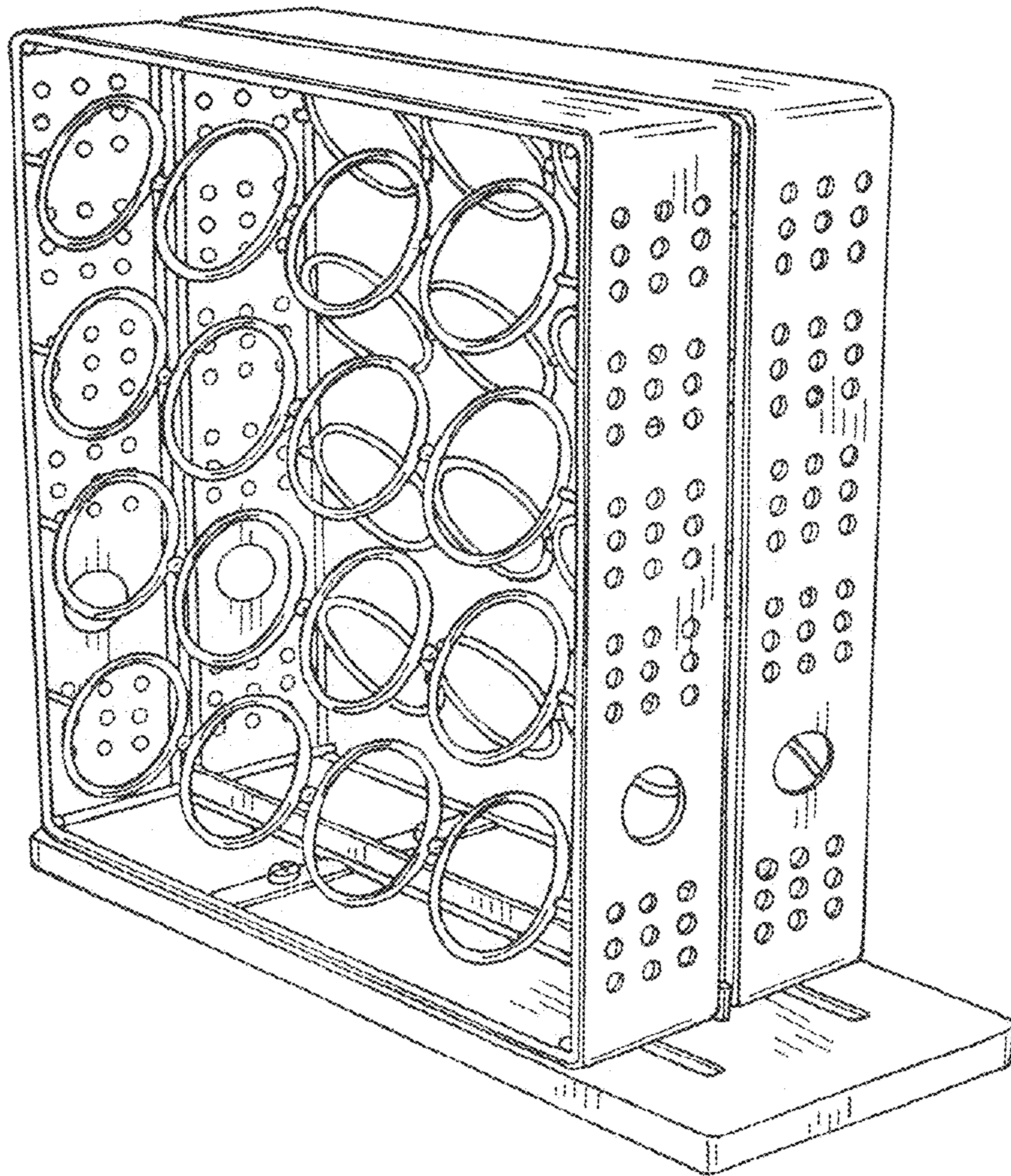


FIG. 2

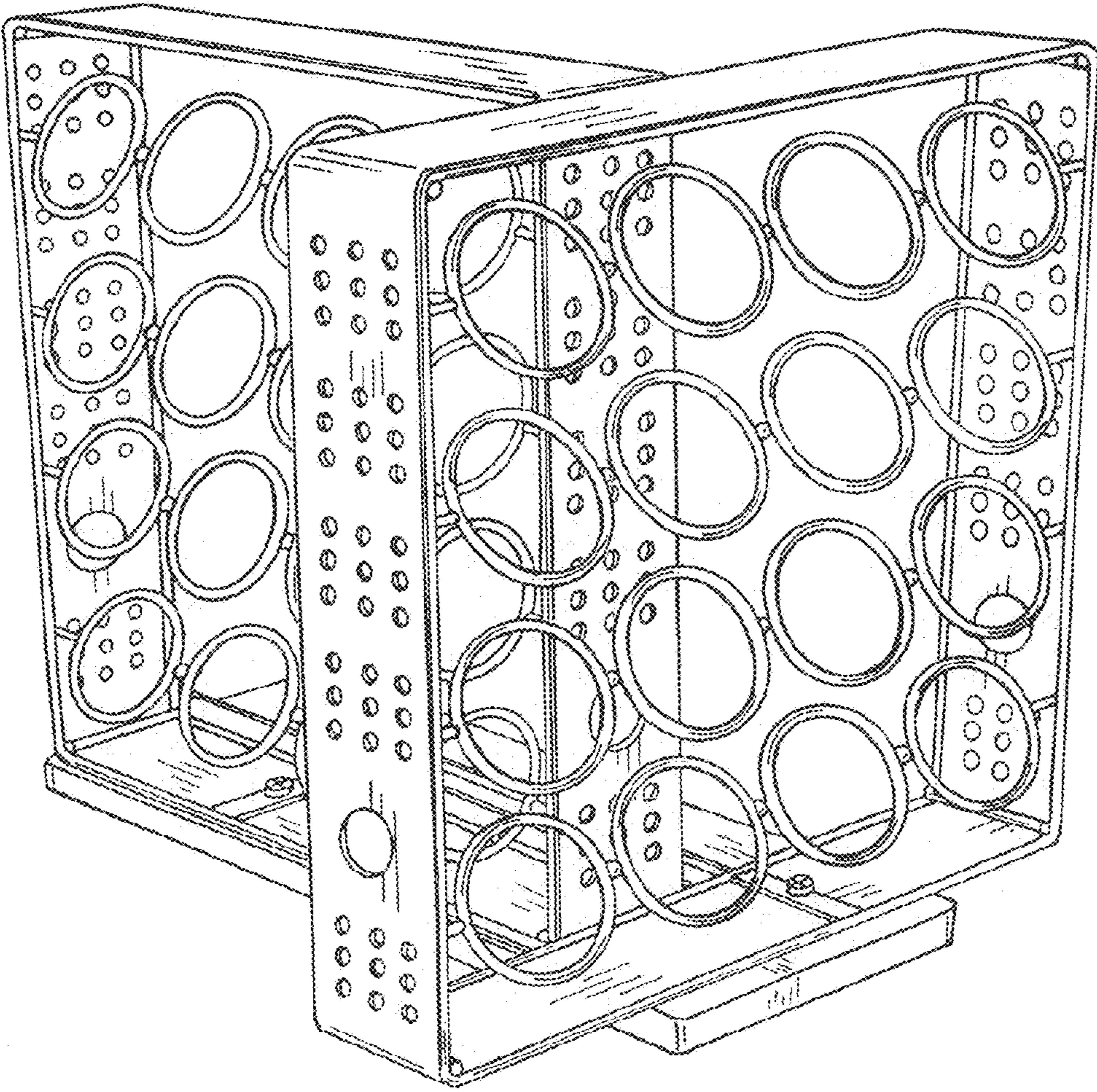


FIG. 3

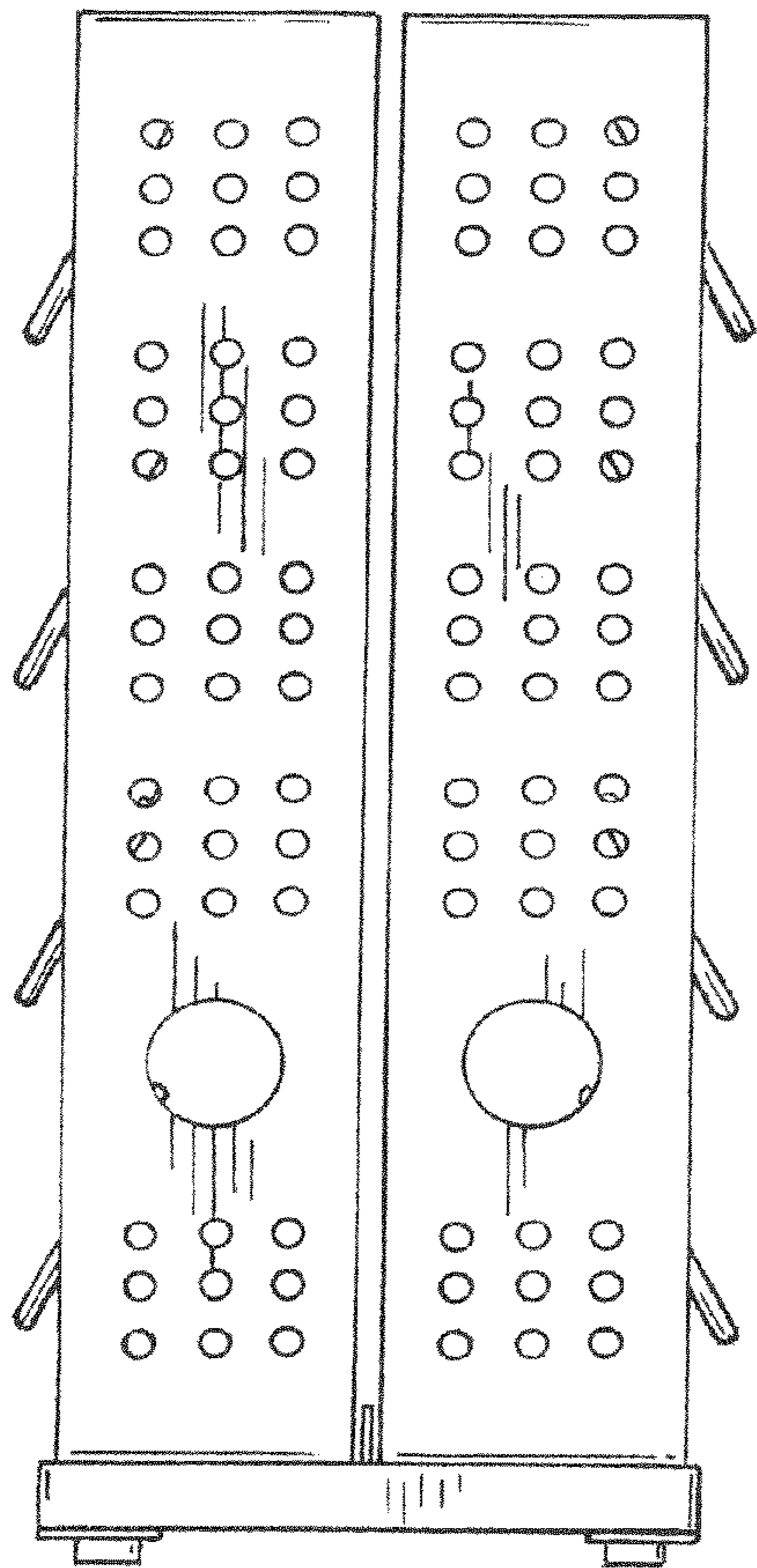


FIG. 4

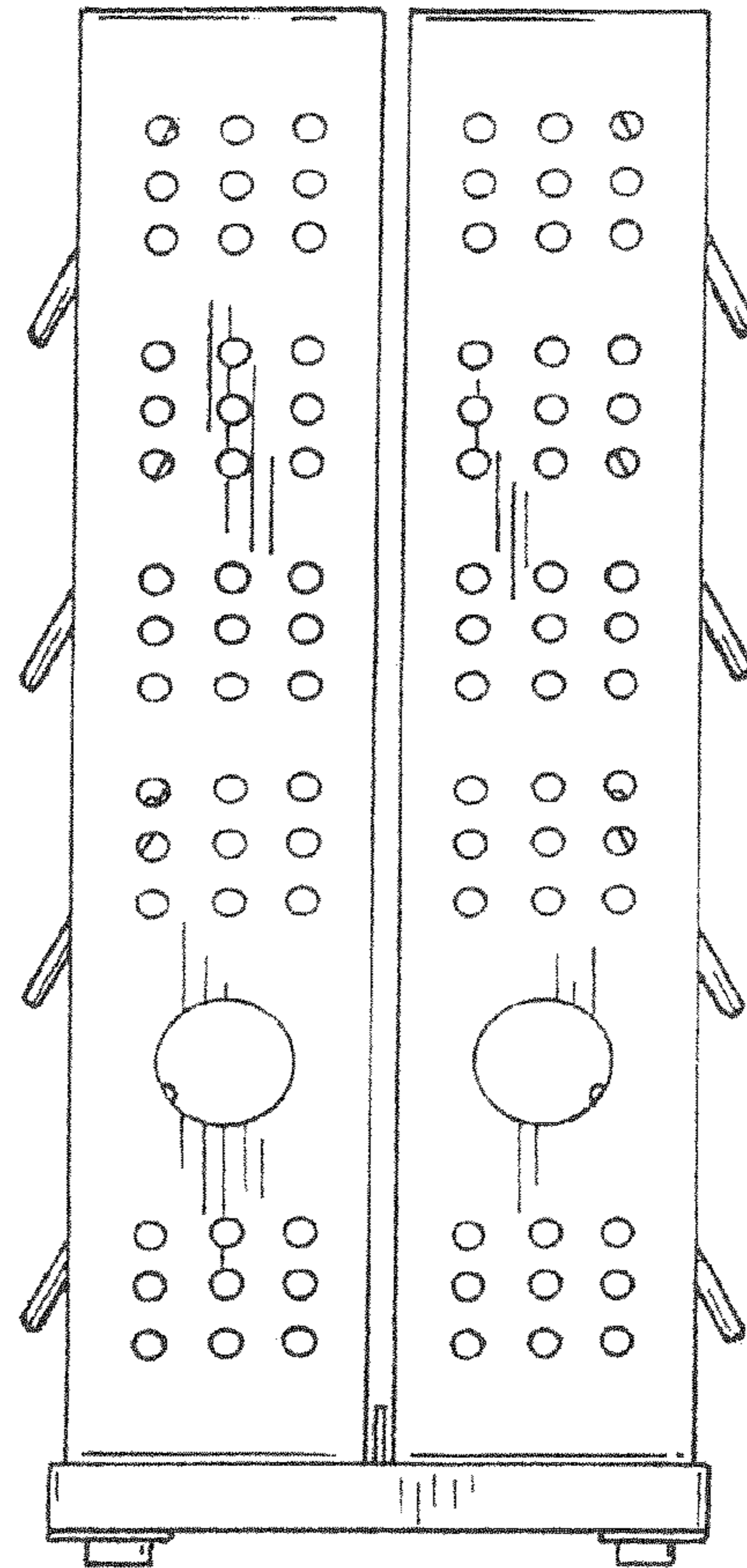


FIG. 5

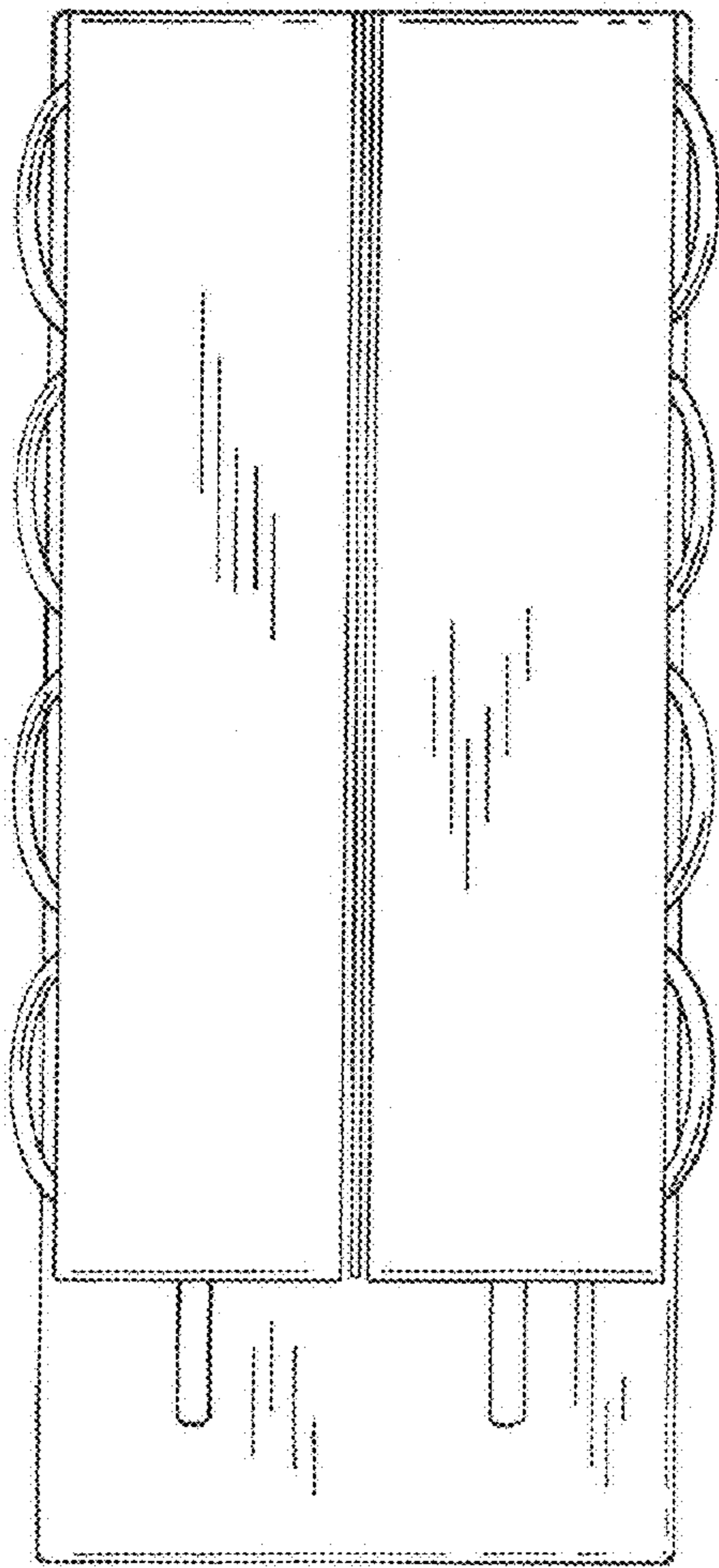


FIG. 6

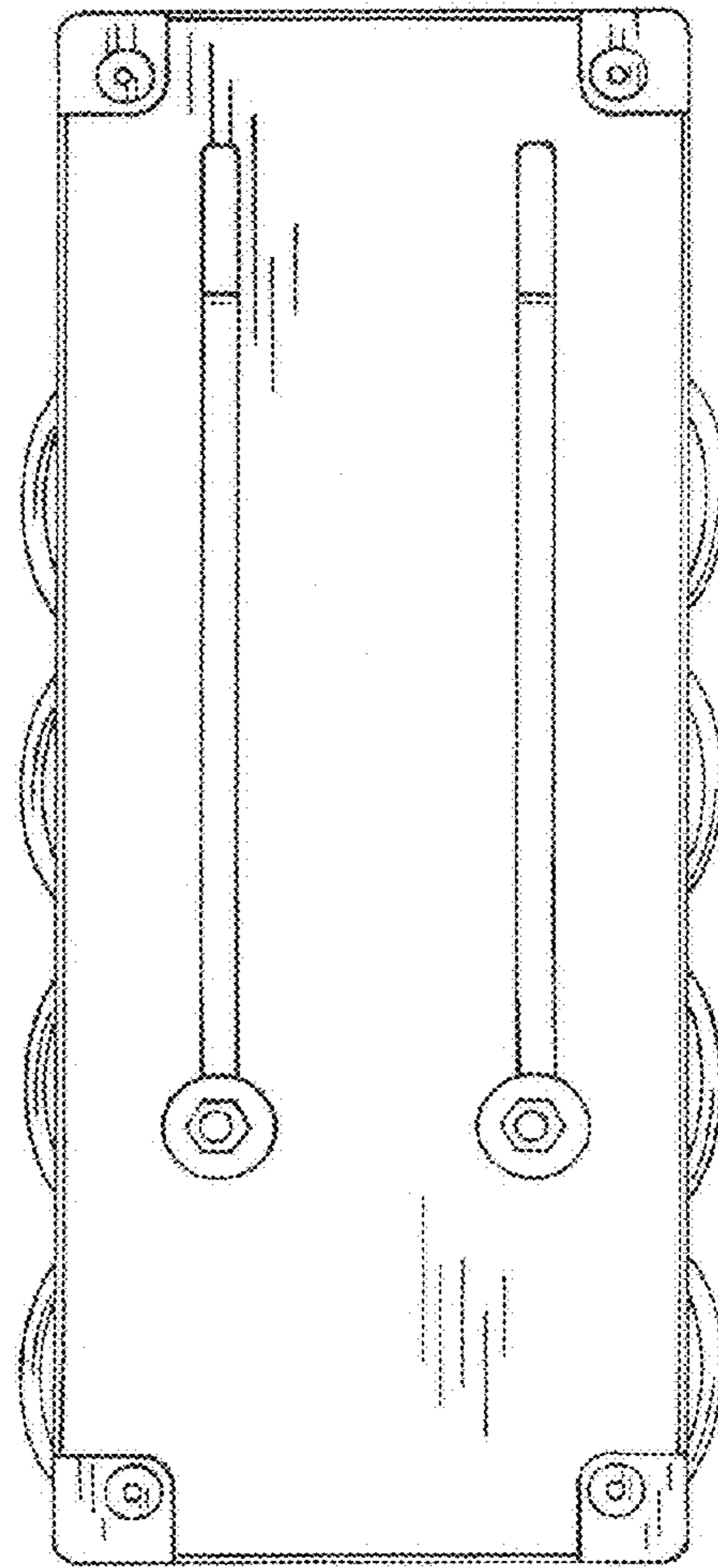


FIG. 7

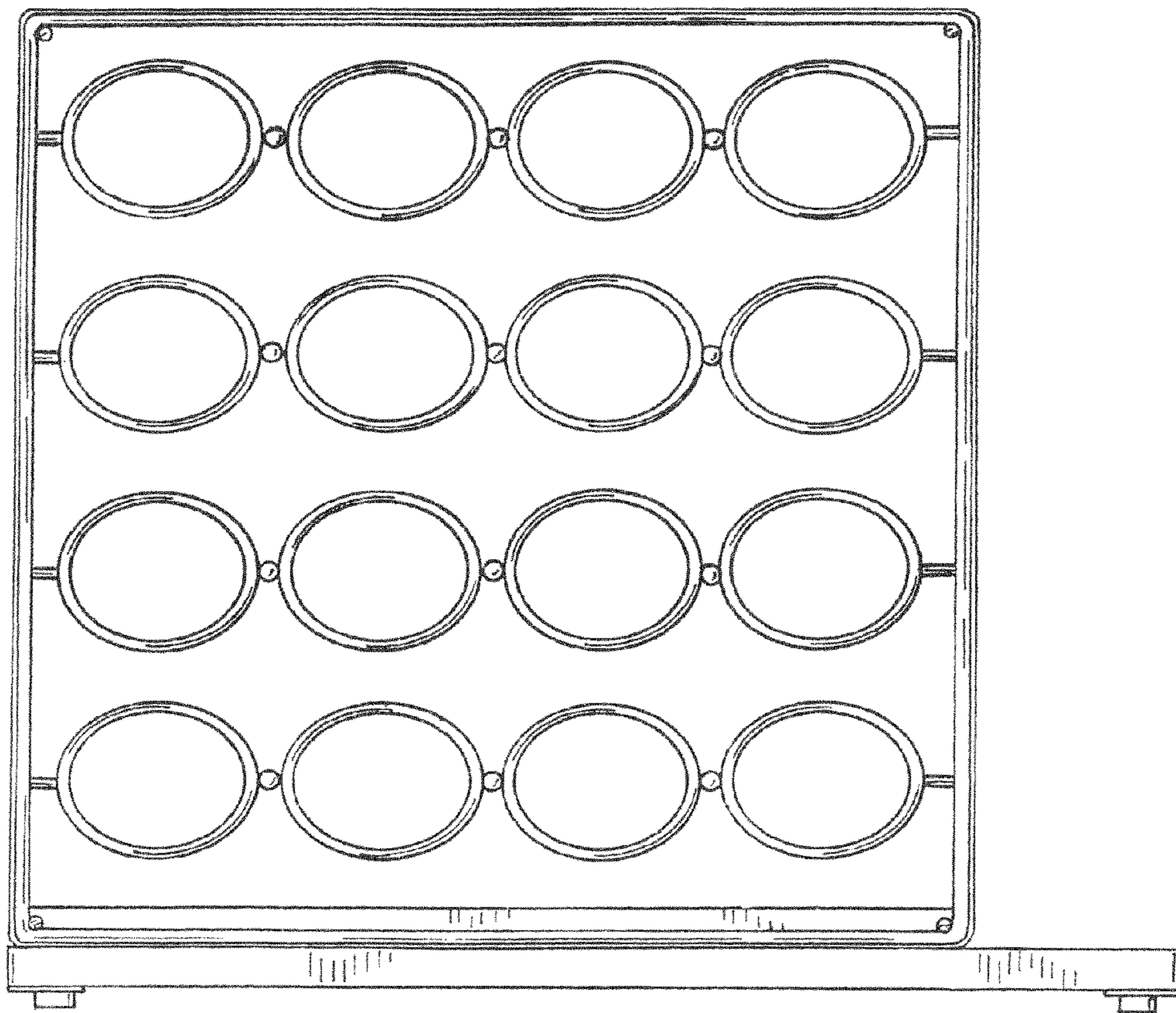


FIG. 8

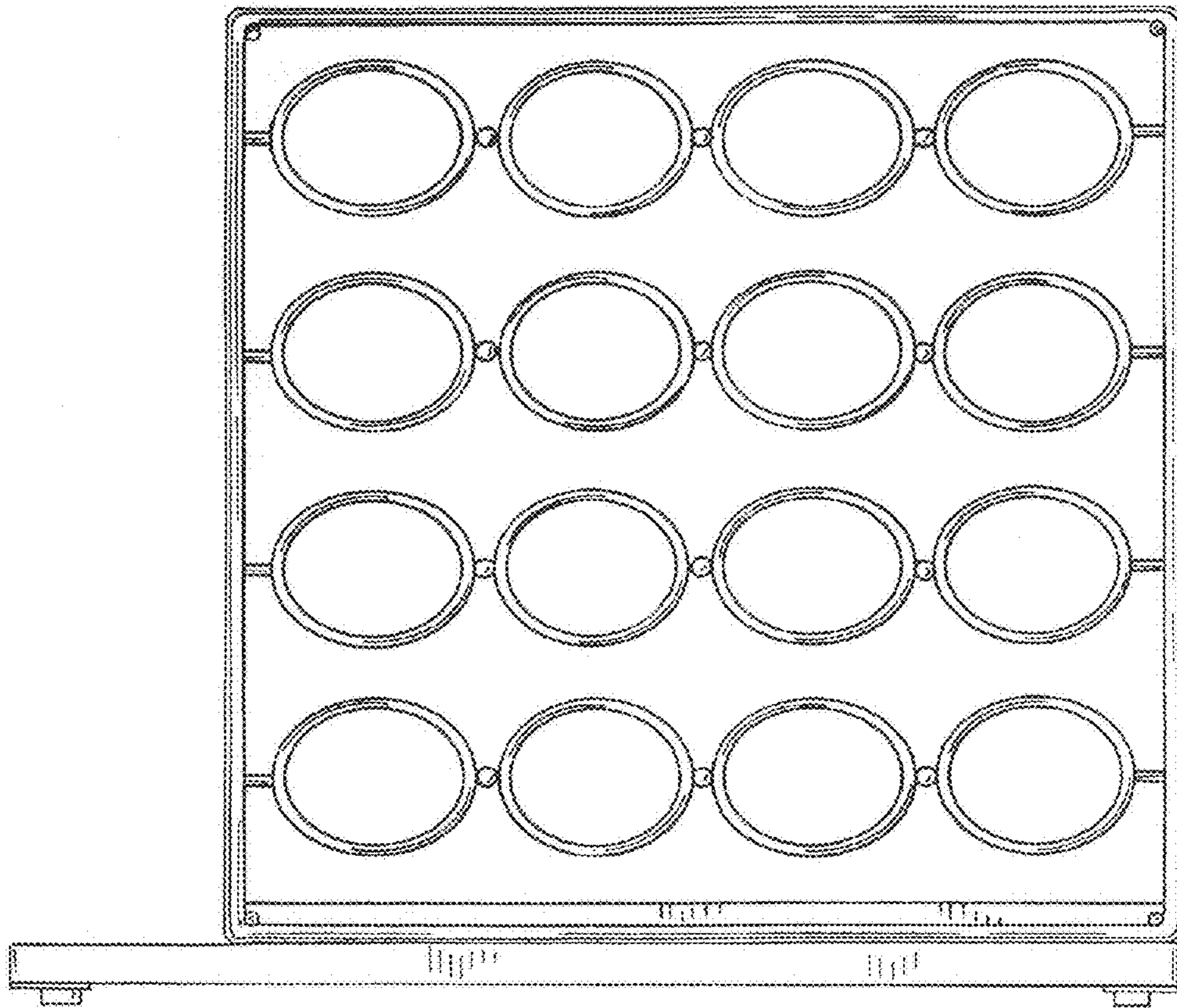


FIG. 9

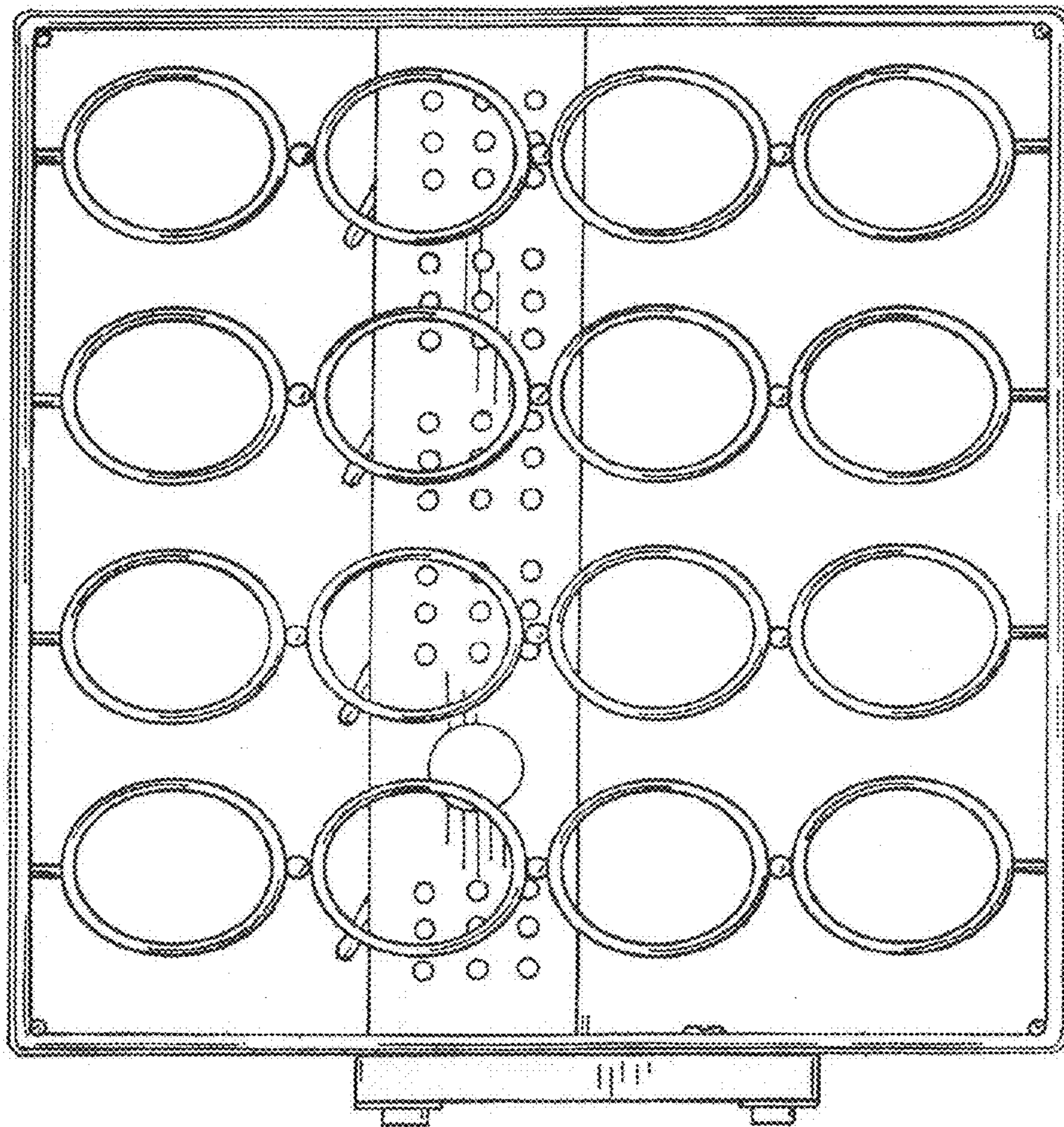


FIG. 10

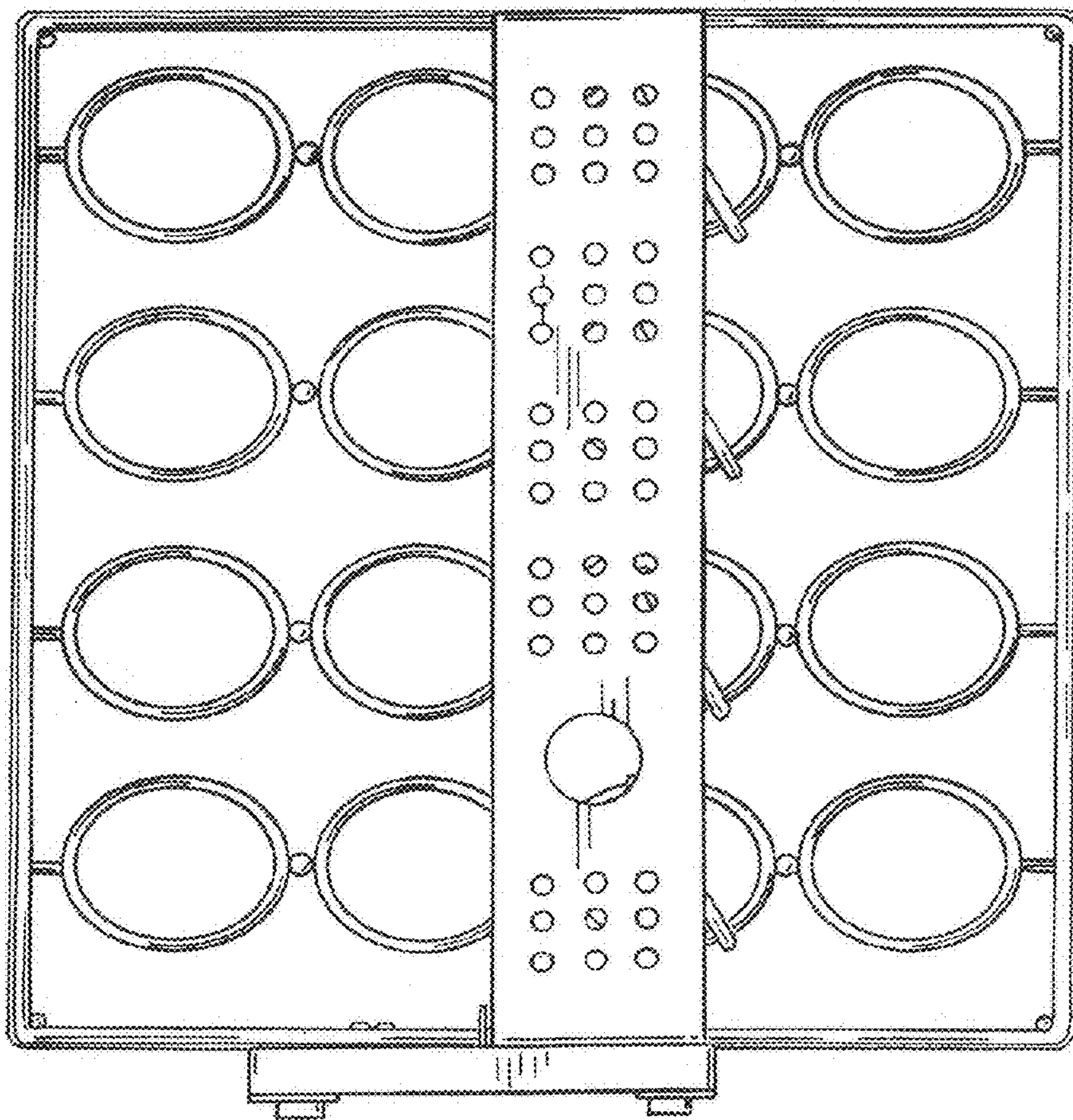


FIG. 11

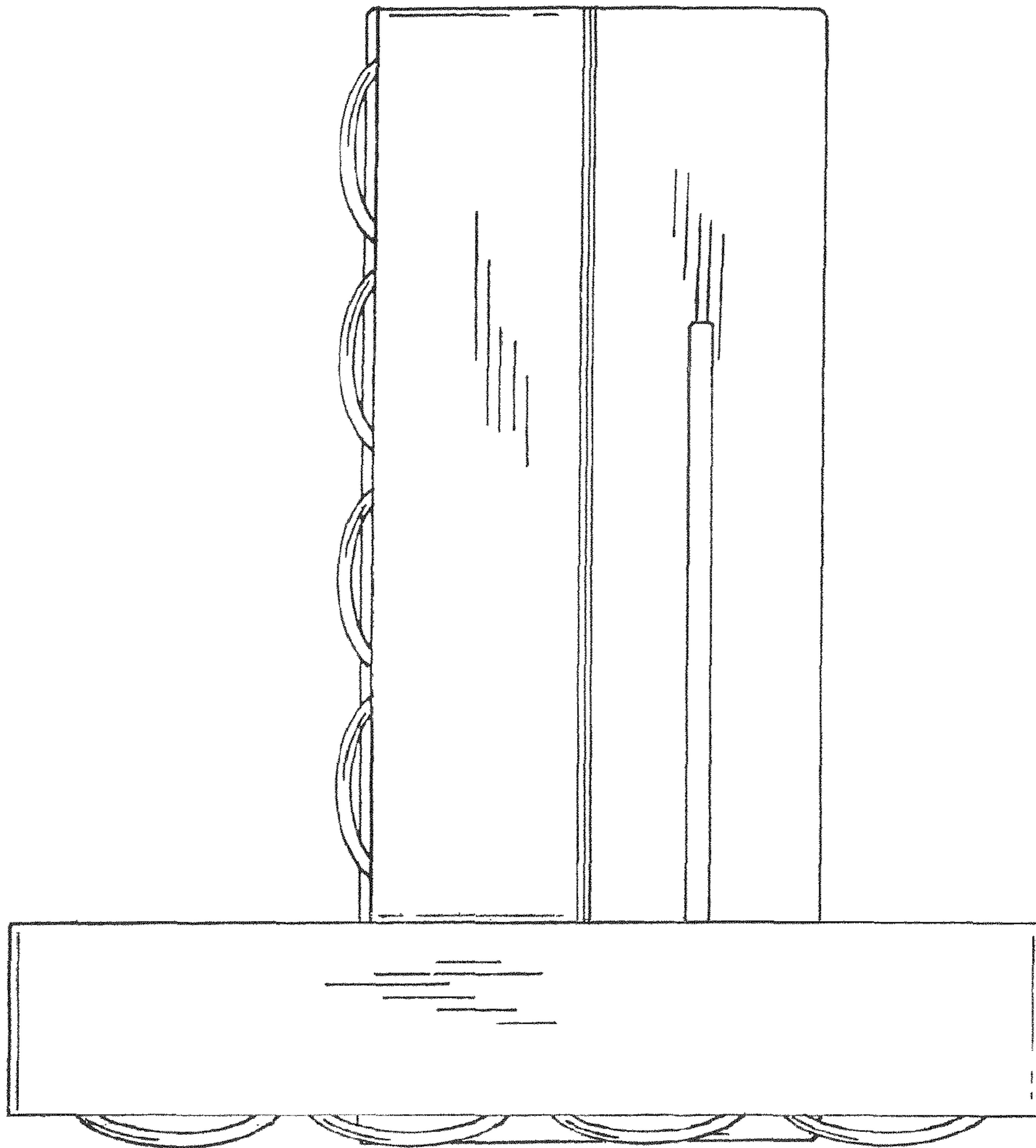


FIG. 12

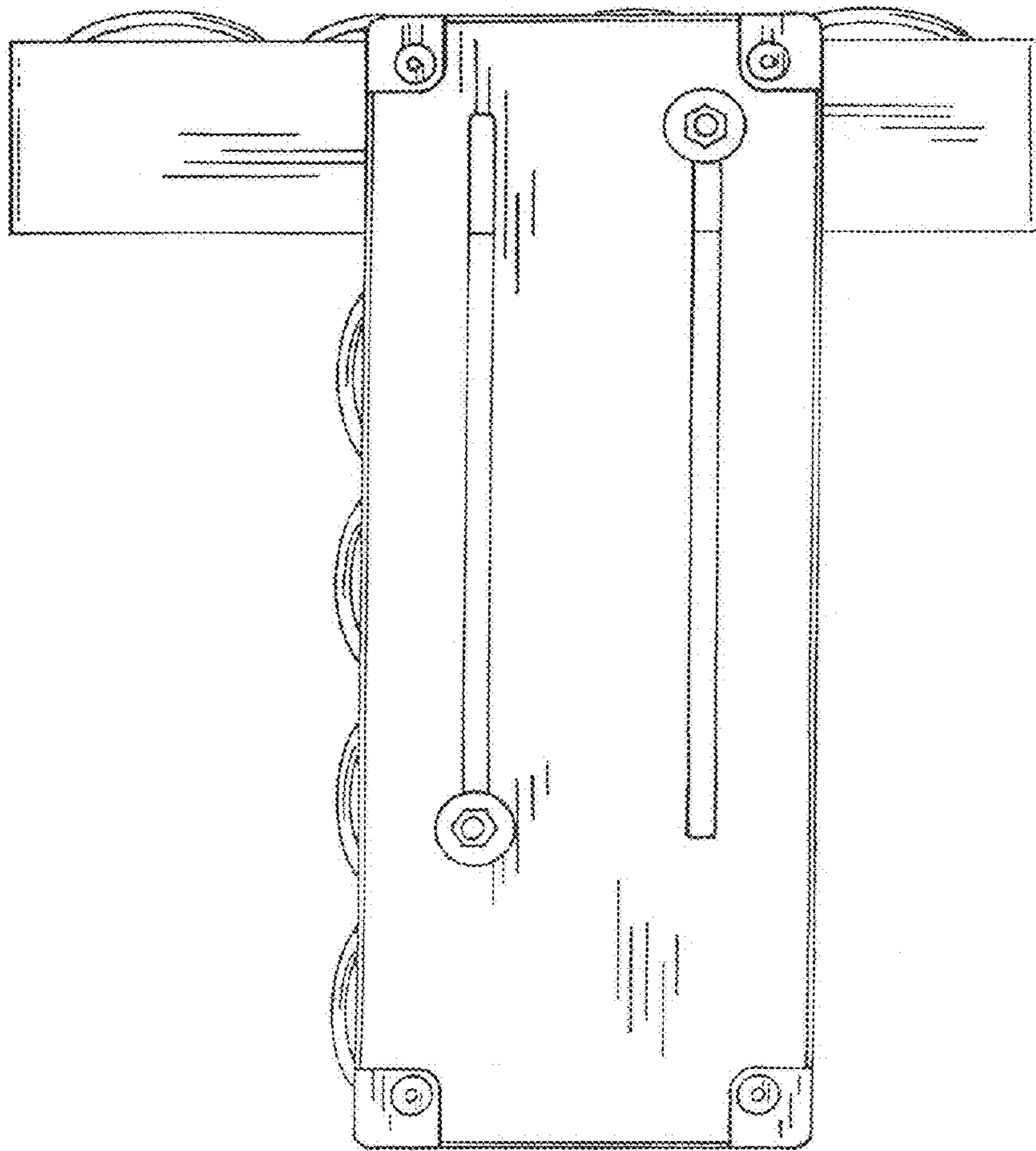


FIG. 13

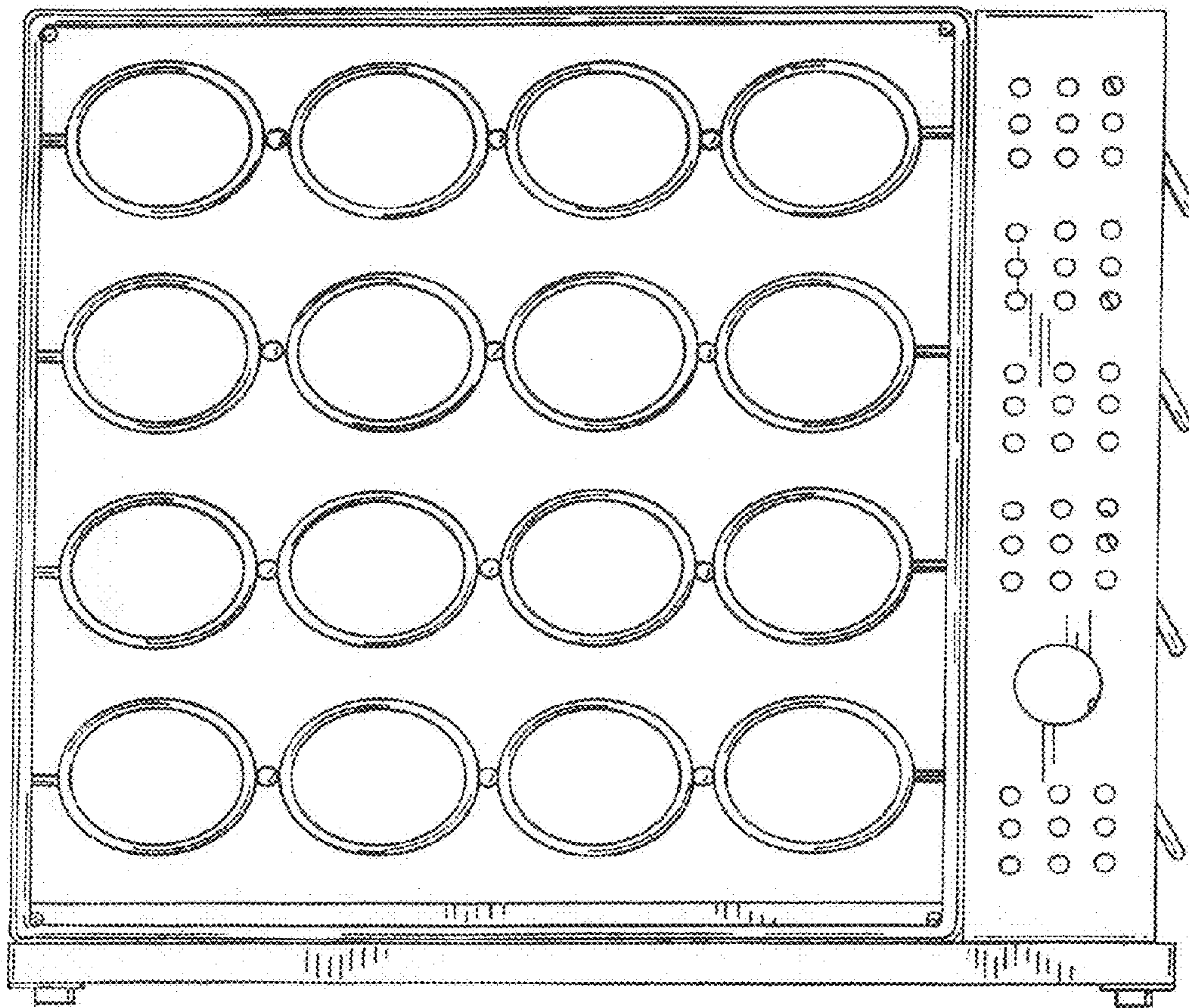


FIG. 14

