

US00D661950S

(12) **United States Design Patent**
Greenwood

(10) **Patent No.:** **US D661,950 S**
(45) **Date of Patent:** **** Jun. 19, 2012**

(54) **PORTABLE STORAGE CONTAINER**

(75) Inventor: **Mark Greenwood**, Arlington Heights, IL (US)

(73) Assignee: **YouCopia Products Inc.**, Arlington Heights, IL (US)

(**) Term: **14 Years**

(21) Appl. No.: **29/373,553**

(22) Filed: **Apr. 23, 2011**

(51) **LOC (9) Cl.** **07-06**

(52) **U.S. Cl.** **D7/590; D7/600.1**

(58) **Field of Classification Search** D7/590,
D7/600.1-600.4, 701-708; 312/330.1, 312,
312/334.1, 107, 334.7, 265.5, 265.6, 263,
312/323; 118/306, 317; D6/432, 449, 457,
D6/466, 509, 510, 512, 513, 514; 211/74,
211/71.01

See application file for complete search history.

5,385,399 A	1/1995	Weidner	
6,039,422 A	3/2000	Butters et al.	
D422,846 S *	4/2000	Swick	D7/601
6,122,173 A	9/2000	Felcman et al.	
6,332,546 B1	12/2001	Hunt	
6,585,334 B2	7/2003	Cheng et al.	
6,626,509 B2	9/2003	Remmers	
7,063,219 B2	6/2006	Fann et al.	
D551,038 S *	9/2007	Evaimalo et al.	D7/708
D597,370 S *	8/2009	Watkins	D7/354
2006/0201417 A1 *	9/2006	Radow	118/306

OTHER PUBLICATIONS

U.S. Appl. No. 11/799,869, Greenwood, Mark et al.

* cited by examiner

Primary Examiner — Terry Wallace

(74) *Attorney, Agent, or Firm* — Knechtel, Demeur & Samlan

(57) **CLAIM**

I claim the ornamental design for a portable storage container, as shown and described.

(56) **References Cited**

U.S. PATENT DOCUMENTS

1,303,090 A	5/1919	McCray	
2,138,560 A *	11/1938	Stuart	312/311
2,606,091 A	8/1952	Marion et al.	
2,839,349 A	6/1958	Culver	
3,013,853 A	12/1961	Toms	
3,339,994 A	9/1967	Reddig et al.	
4,314,734 A	2/1982	Grunert	
4,343,244 A	8/1982	Moriarty et al.	
4,441,771 A	4/1984	Roesler	
4,502,741 A	3/1985	DeVries et al.	
4,620,489 A	11/1986	Albano	
D330,513 S *	10/1992	Gilchrist	D7/703
5,244,272 A	9/1993	Thompson	
5,348,207 A	9/1994	Frank	

DESCRIPTION

FIG. 1 is a perspective view of a portable storage container, with one of the drawers illustrated in the extended position, showing the new design thereof.

FIG. 2 is a front side elevational view thereof.

FIG. 3 is a back side elevational view thereof.

FIG. 4 is a left side elevational view thereof.

FIG. 5 is a right side elevational view thereof.

FIG. 6 is a top elevational view thereof.

FIG. 7 is a bottom elevational view thereof; and,

FIG. 8 is a perspective view of the portable storage container, with one of the drawers as illustrated in the resting position.

1 Claim, 6 Drawing Sheets

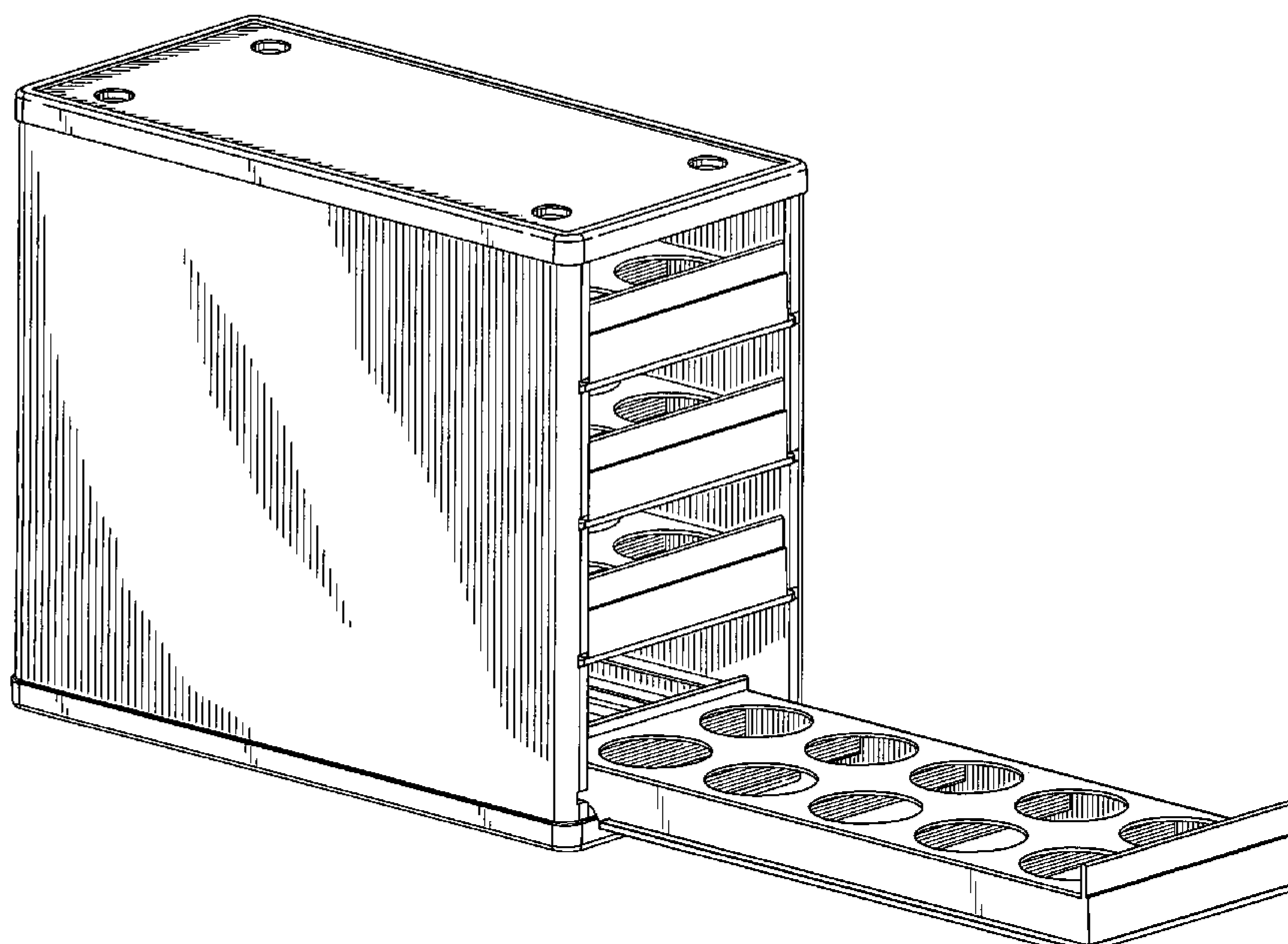


Fig. 1

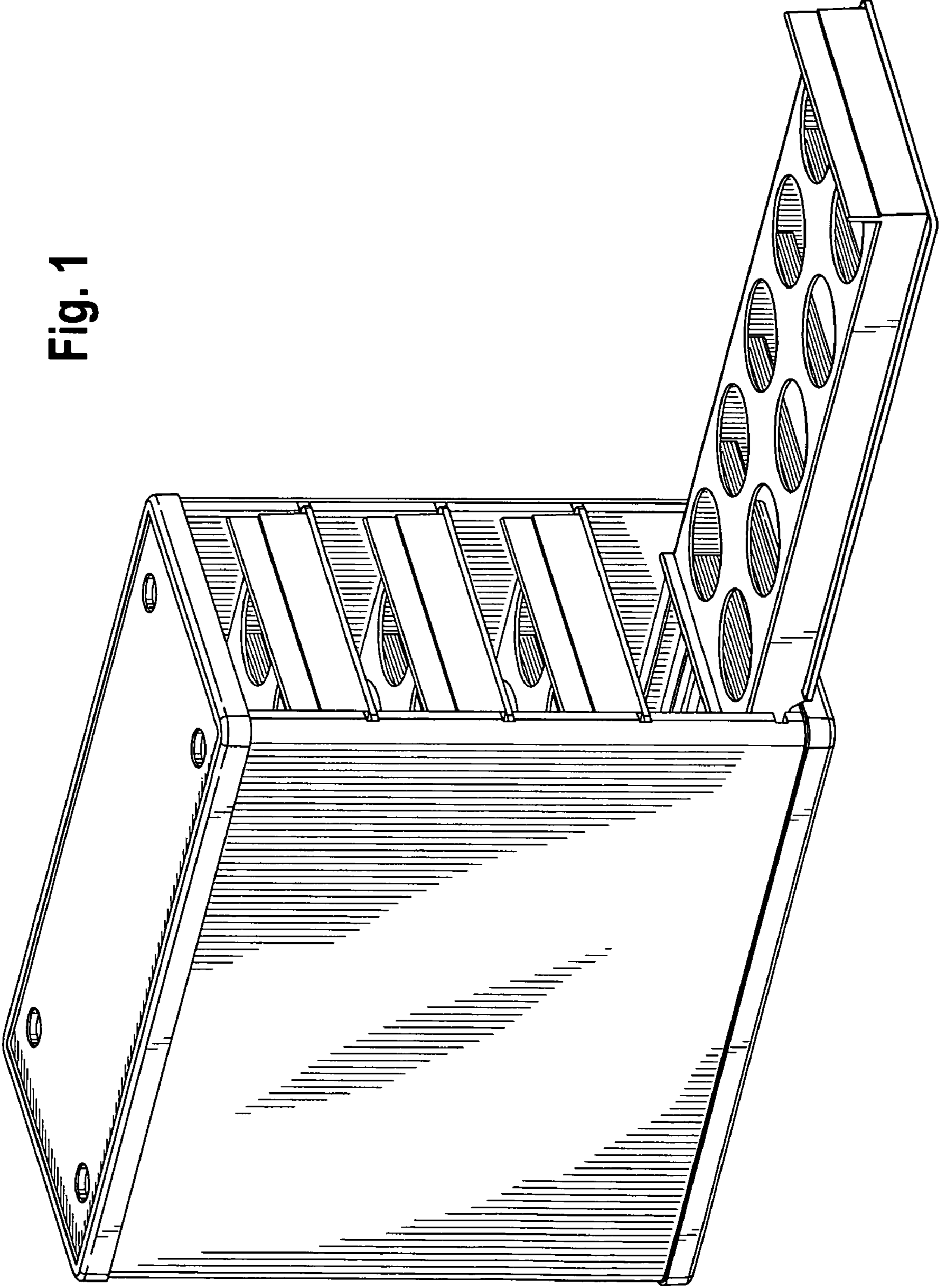


Fig. 3

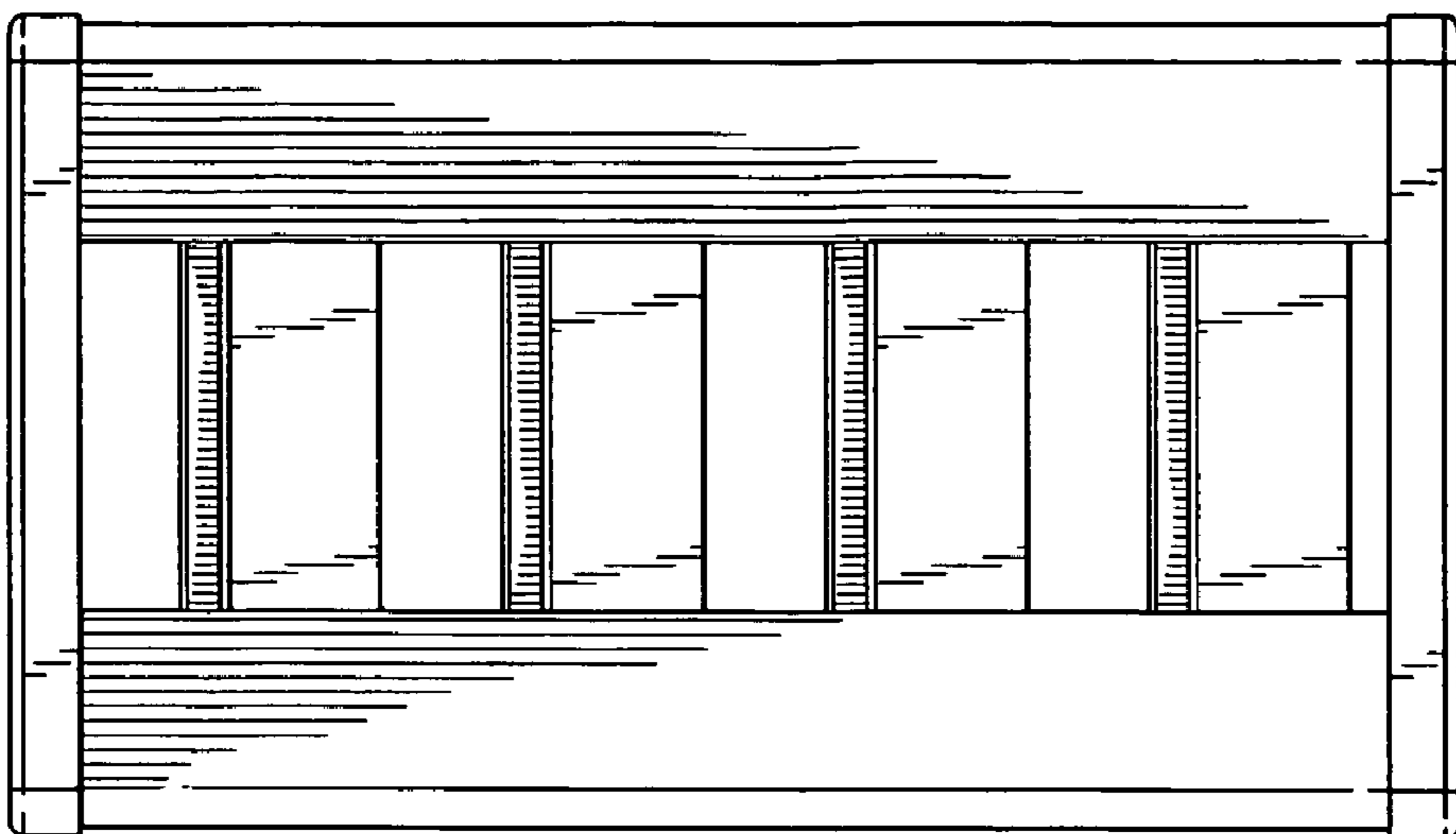
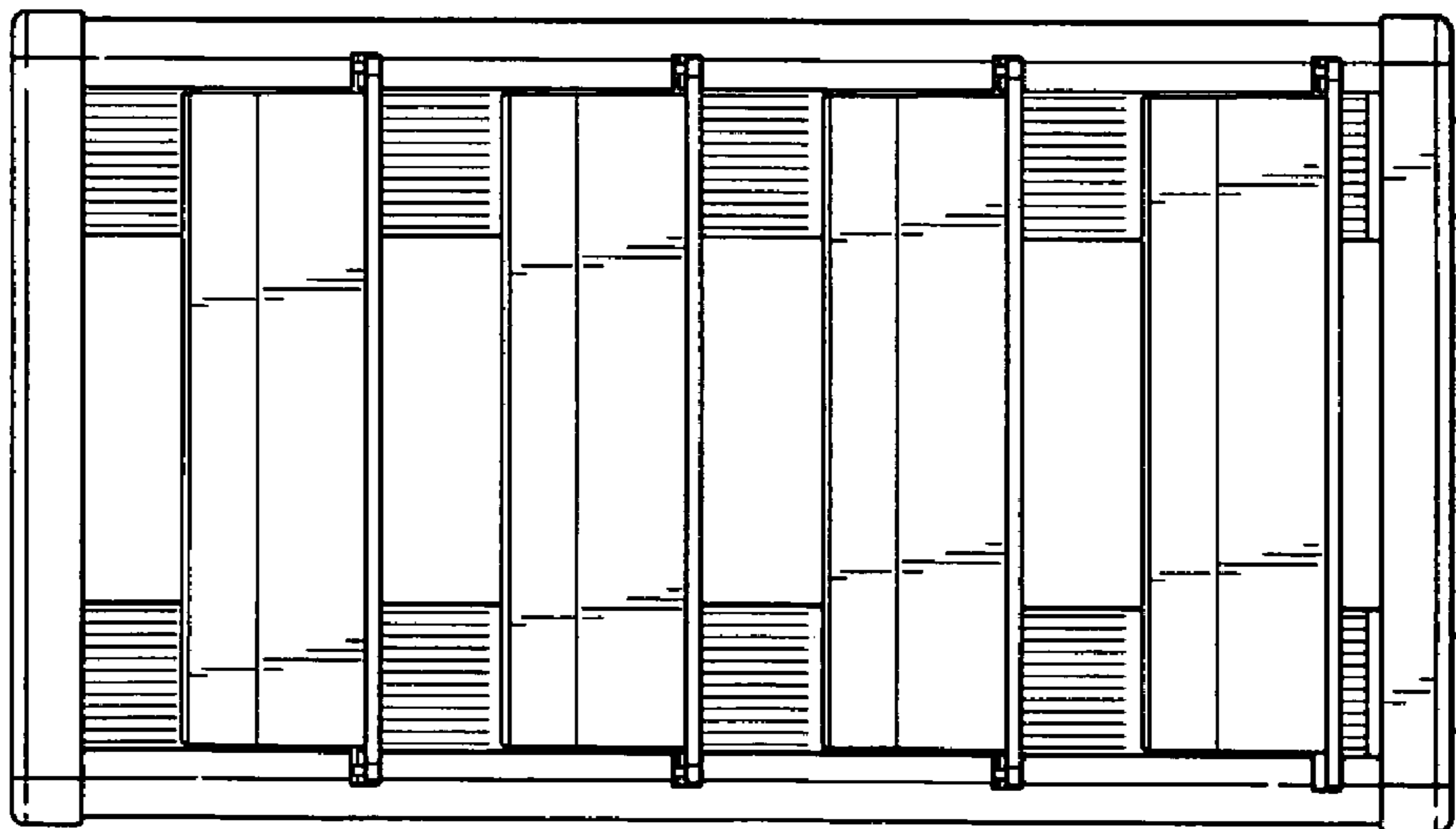


Fig. 2



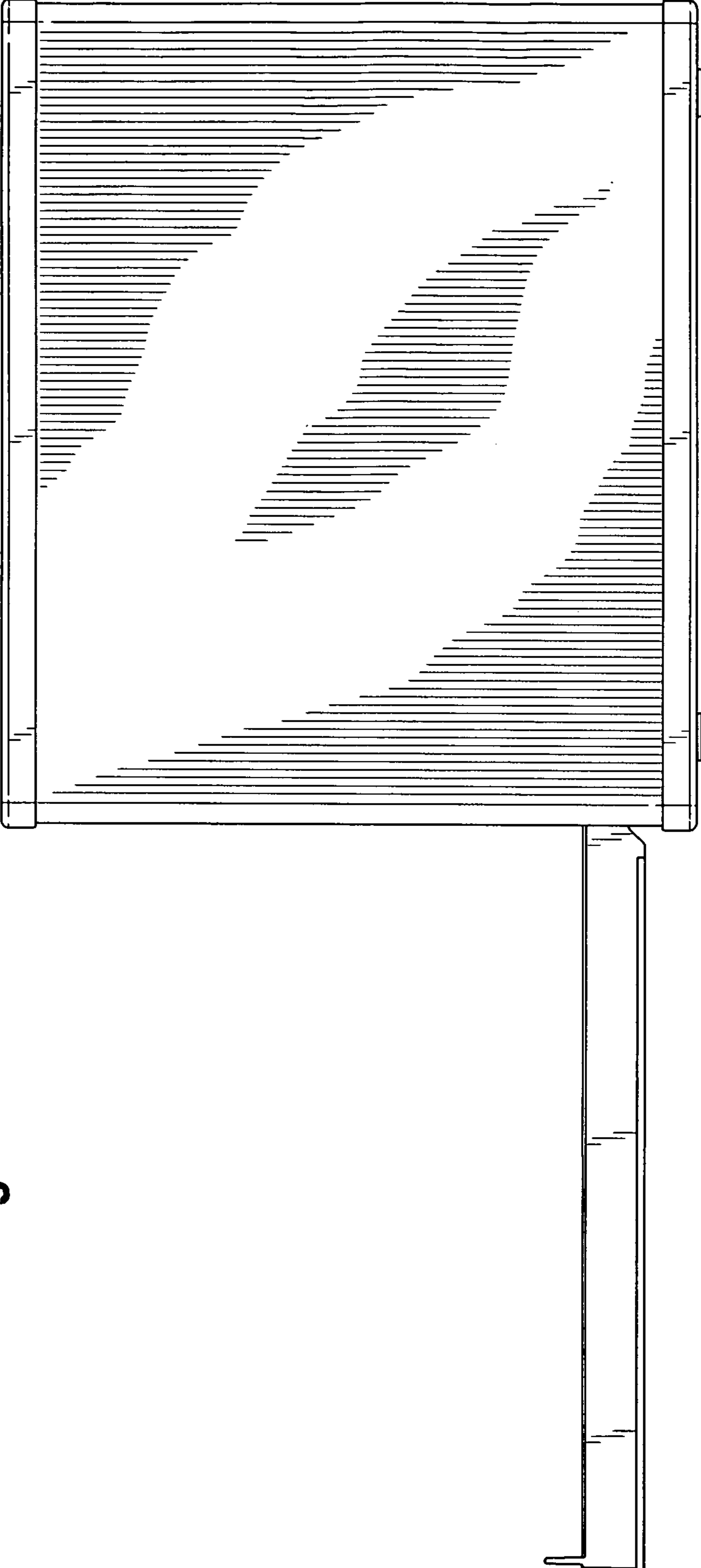


Fig. 4

Fig. 5

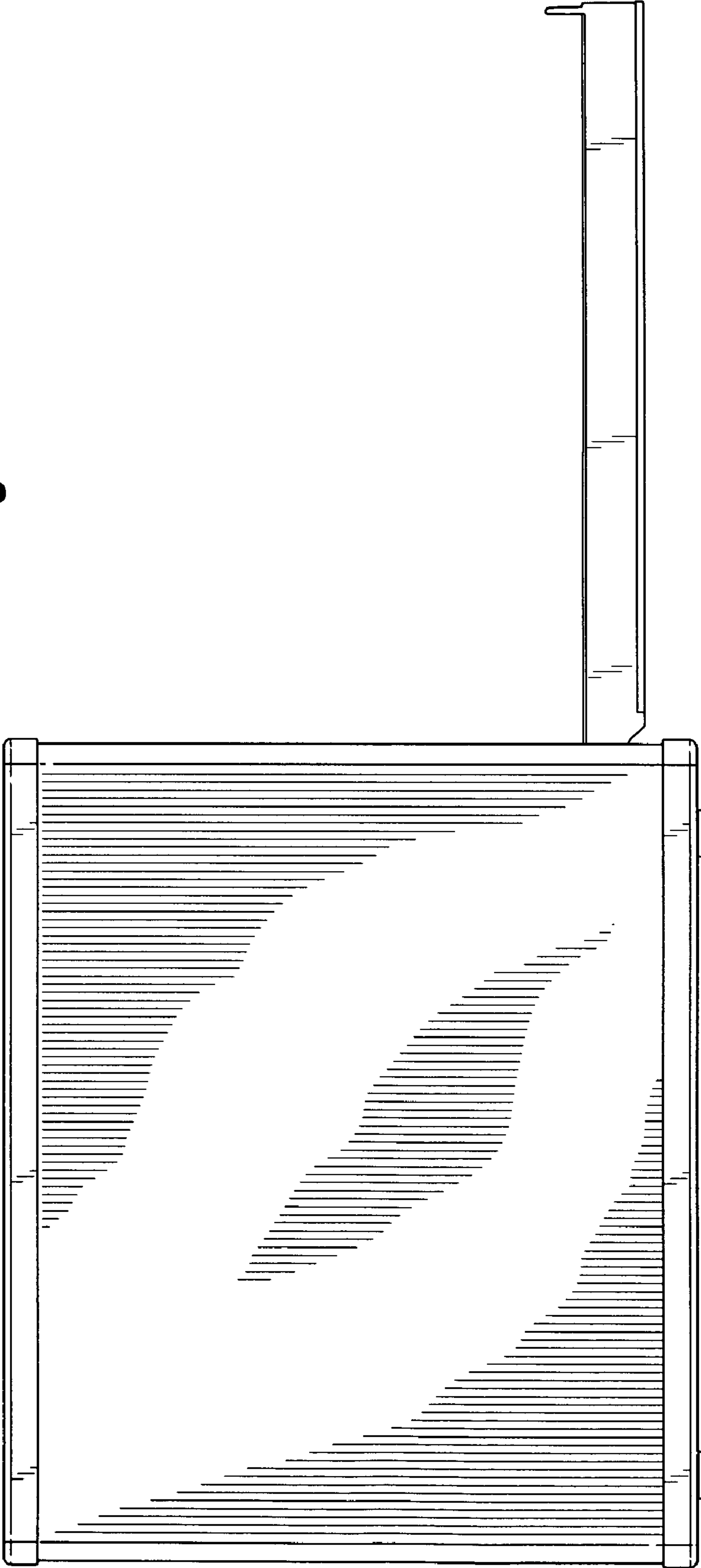


Fig. 6

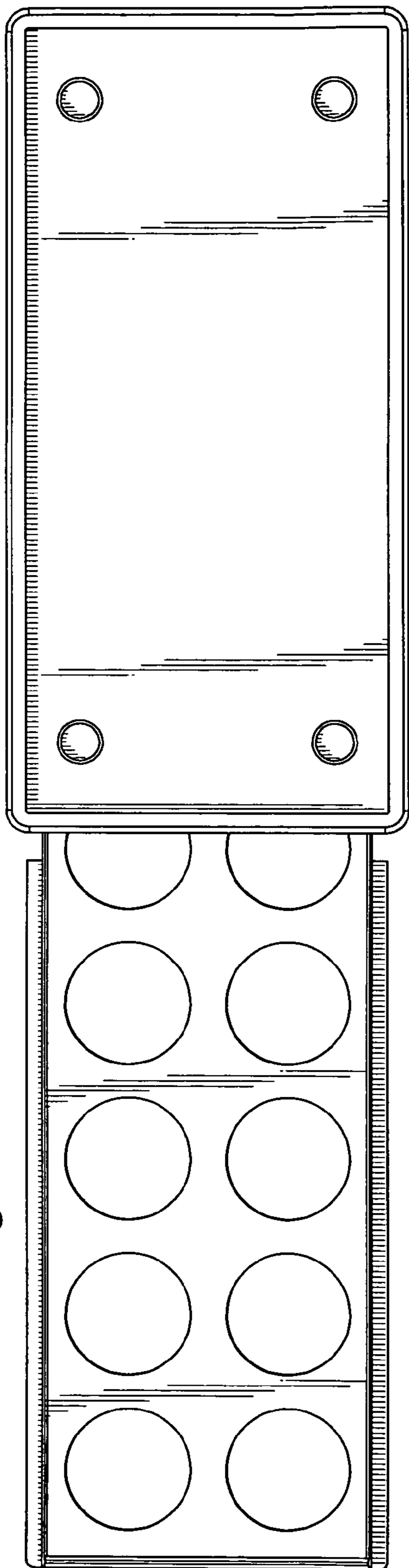


Fig. 7

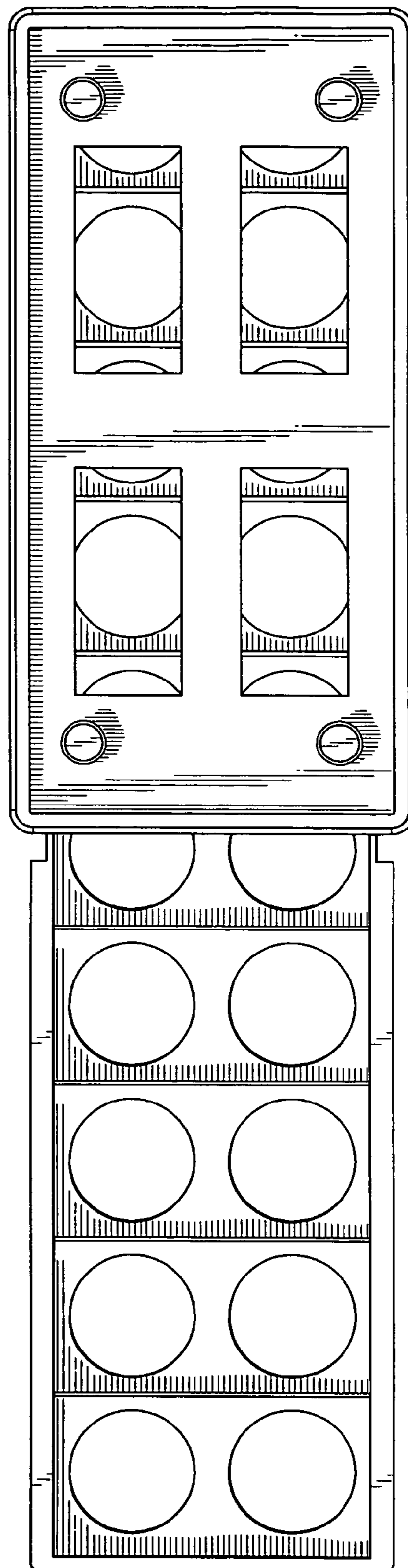


Fig. 8

