

US00D661945S

(12) **United States Design Patent**
Eyal

(10) **Patent No.:** **US D661,945 S**
(45) **Date of Patent:** **** Jun. 19, 2012**

- (54) **BEVERAGE CONTAINER LID**
- (75) Inventor: **Sharon Eyal**, Oxnard, CA (US)
- (73) Assignee: **ETS Express, Inc.**, Oxnard, CA (US)
- (**) Term: **14 Years**
- (21) Appl. No.: **29/391,245**
- (22) Filed: **May 5, 2011**
- (51) **LOC (9) Cl.** **07-99**
- (52) **U.S. Cl.** **D7/392.1; D7/900; D7/396.2; D9/449**
- (58) **Field of Classification Search** D7/396.1, D7/396.6, 900, 392.1, 396.2, 510, 511; 220/792, 220/359.2, 212, 254.1, 719; 215/320, 237; D9/445, 446, 447, 449
See application file for complete search history.

- D592,012 S * 5/2009 Carreno D7/510
- D606,862 S * 12/2009 Mora-Hernandez et al. .. D9/449
- D608,640 S * 1/2010 Carreno D9/449
- D609,964 S * 2/2010 Lane D7/392.1
- D613,599 S * 4/2010 Khubani D9/446
- D624,357 S * 9/2010 George D7/396.2
- 7,931,052 B2 * 4/2011 Schooley 141/65
- D641,240 S * 7/2011 Rognard D9/443
- D641,241 S * 7/2011 Goto et al. D9/449
- D658,445 * 5/2012 Carreno D7/510

* cited by examiner

Primary Examiner — Marianne Pandozzi
(74) *Attorney, Agent, or Firm* — Kleinberg & Lerner, LLP; Marvin H. Kleinberg; Marshall A. Lerner

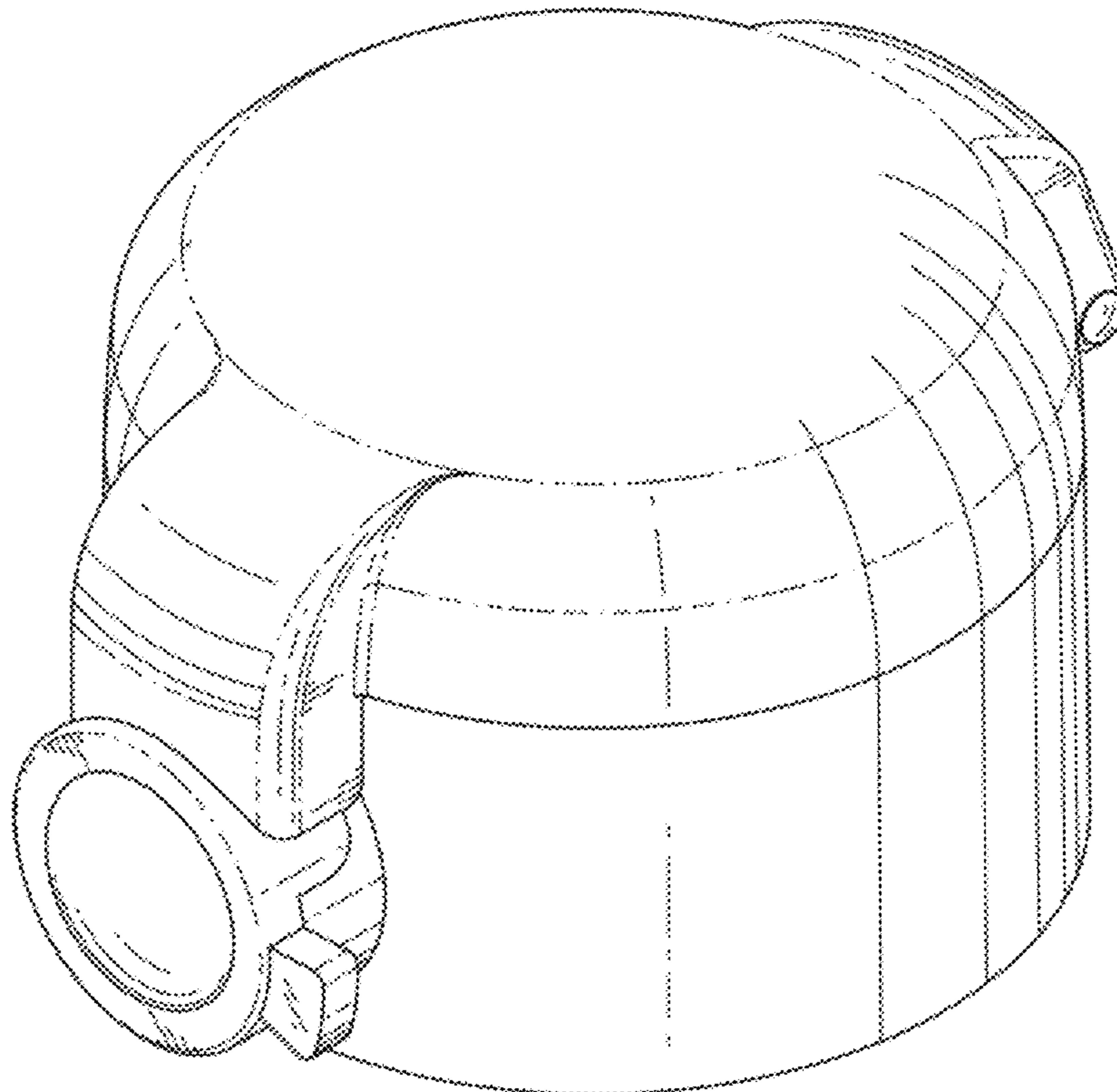
(57) **CLAIM**
The ornamental design for a beverage container lid, as shown and described.

DESCRIPTION

FIG. 1 is a top perspective view of a beverage container lid showing my new design;
FIG. 2 is a front view thereof;
FIG. 3 is a right side view of the beverage container lid of FIG. 1;
FIG. 4 is a left side view thereof;
FIG. 5 is a rear view thereof;
FIG. 6 is a top view thereof; and,
FIG. 7 is a bottom view thereof.
The broken lines represent portions of the structure that form no part of the claim.

- (56) **References Cited**
- U.S. PATENT DOCUMENTS
- 4,787,526 A * 11/1988 Pehr 215/216
- D364,810 S * 12/1995 Meisner D9/446
- D451,023 S * 11/2001 Kitamura et al. D9/449
- D505,294 S * 5/2005 Gauss D7/392.1
- D508,185 S * 8/2005 Gauss D7/392.1
- D536,975 S * 2/2007 Smith et al. D9/449
- D571,147 S * 6/2008 Rohe D7/392.1
- D587,969 S * 3/2009 Gilbert D7/510

1 Claim, 7 Drawing Sheets



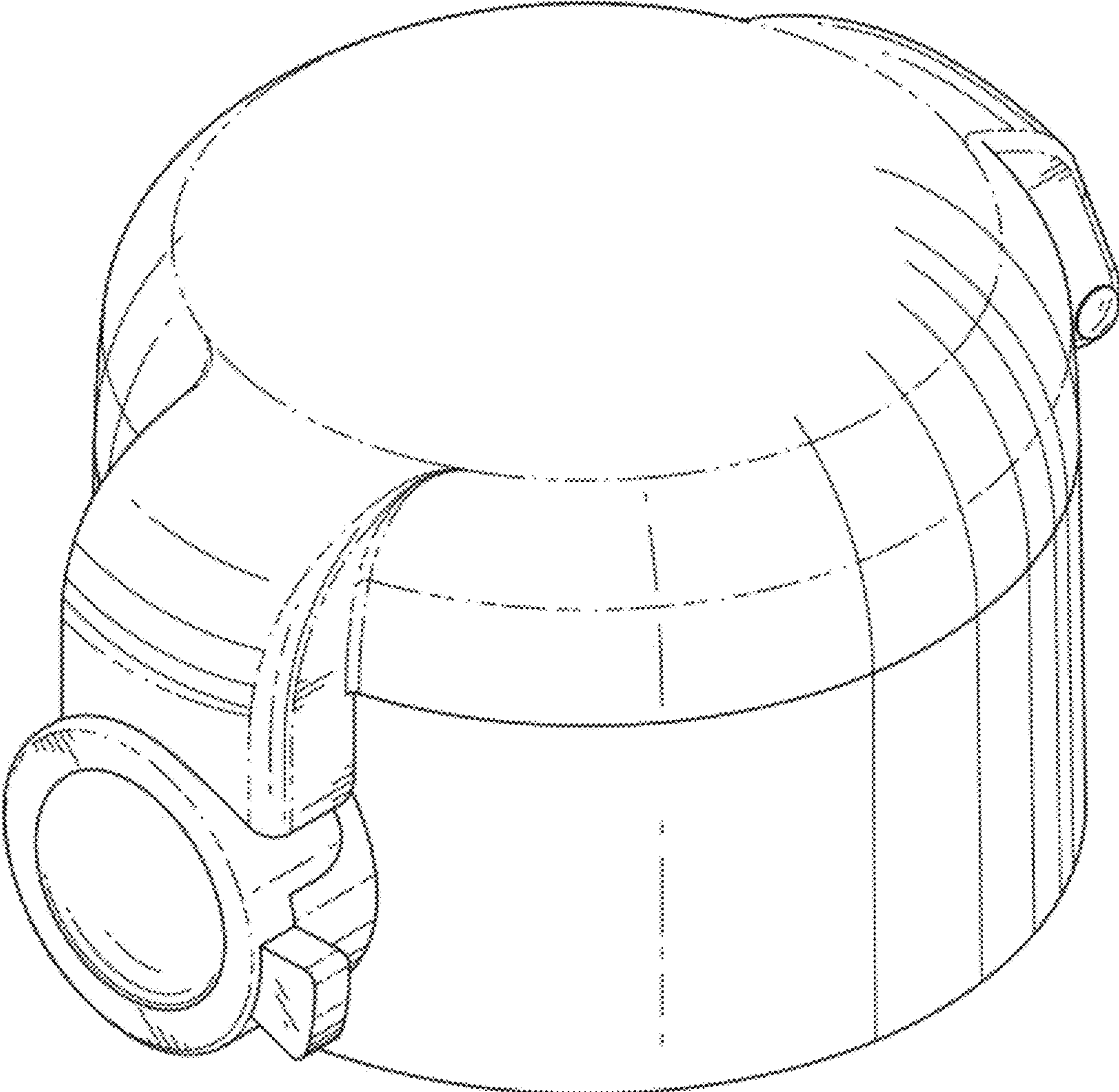


FIG. 1

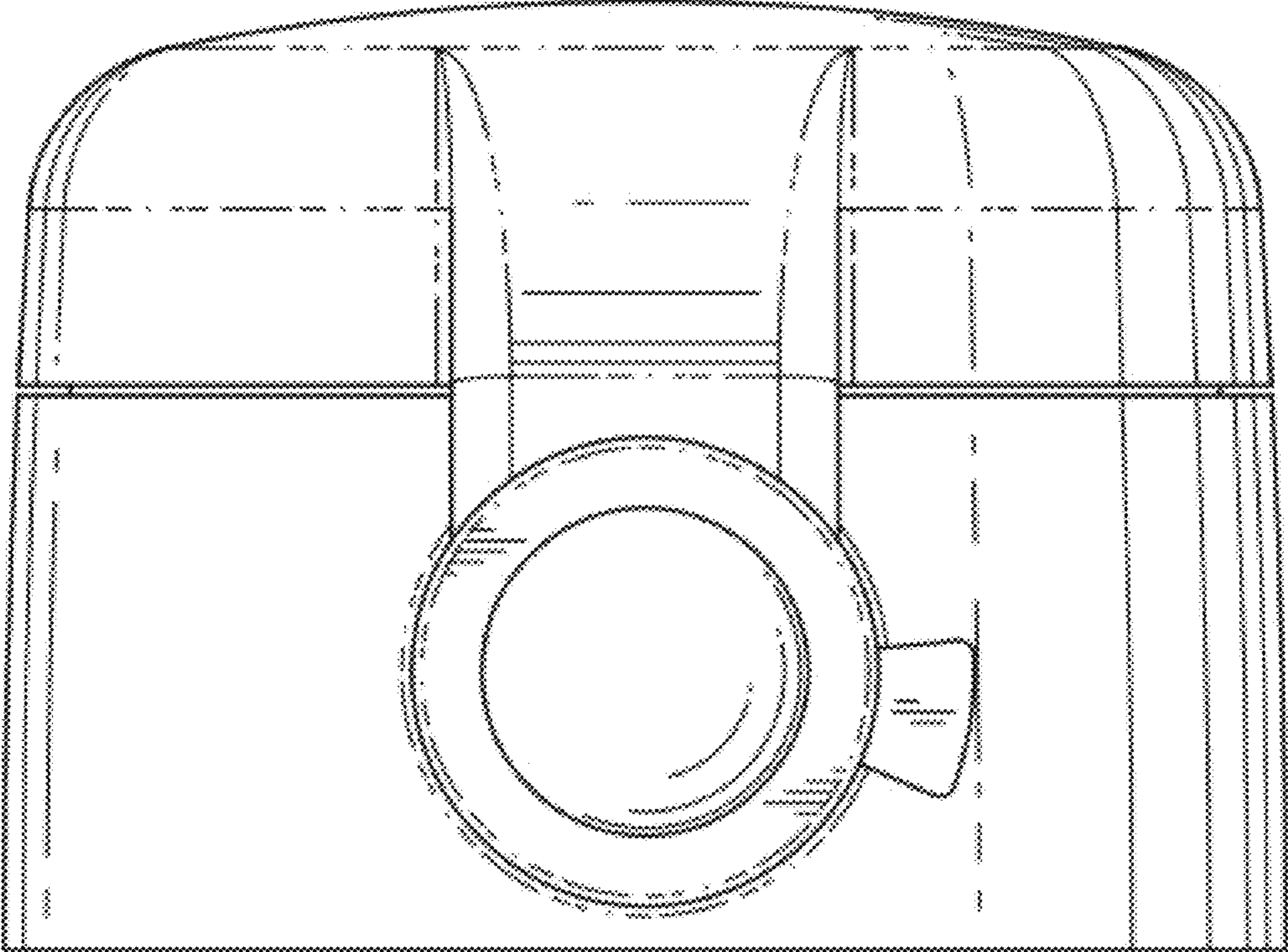


FIG. 2

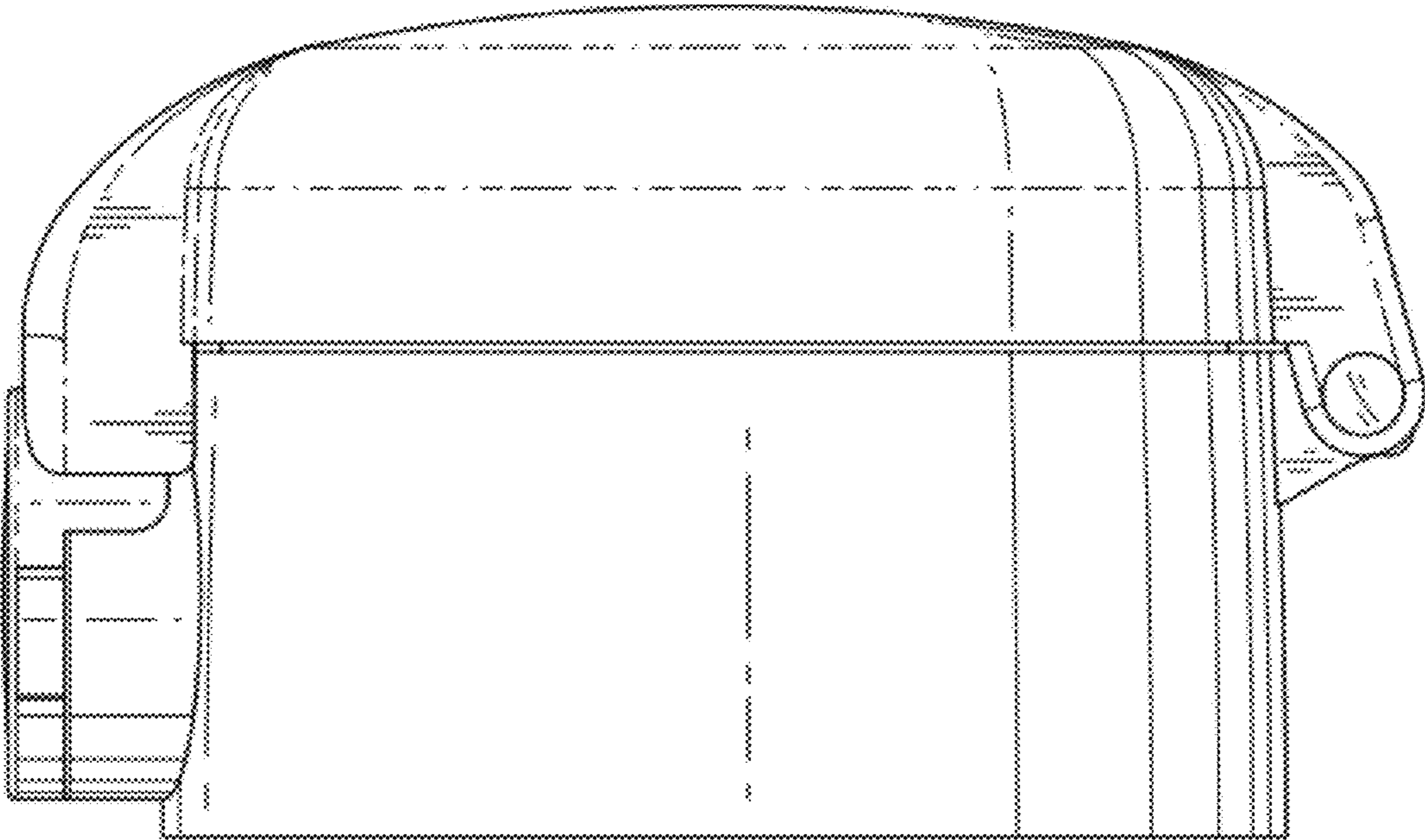


FIG. 3

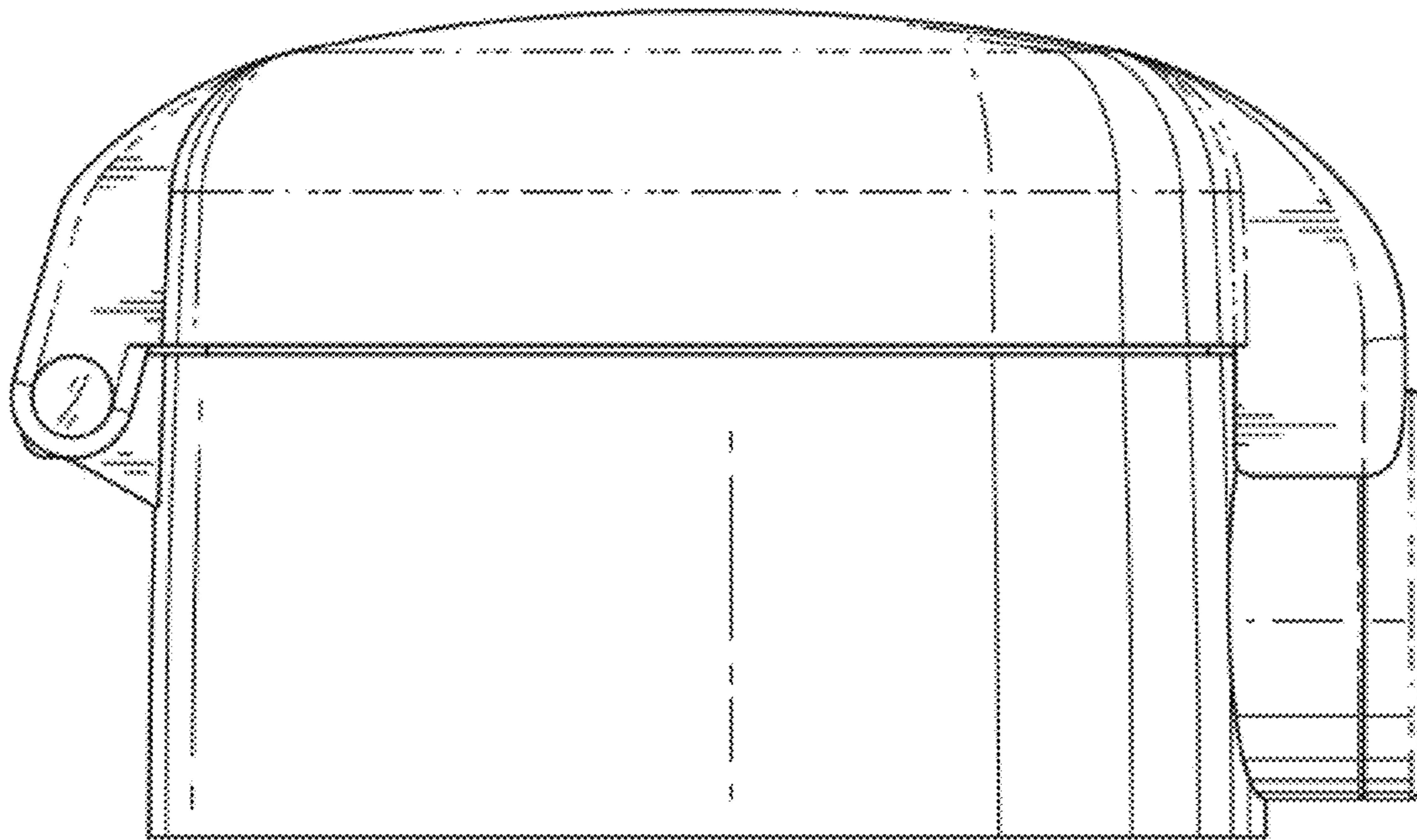


FIG. 4

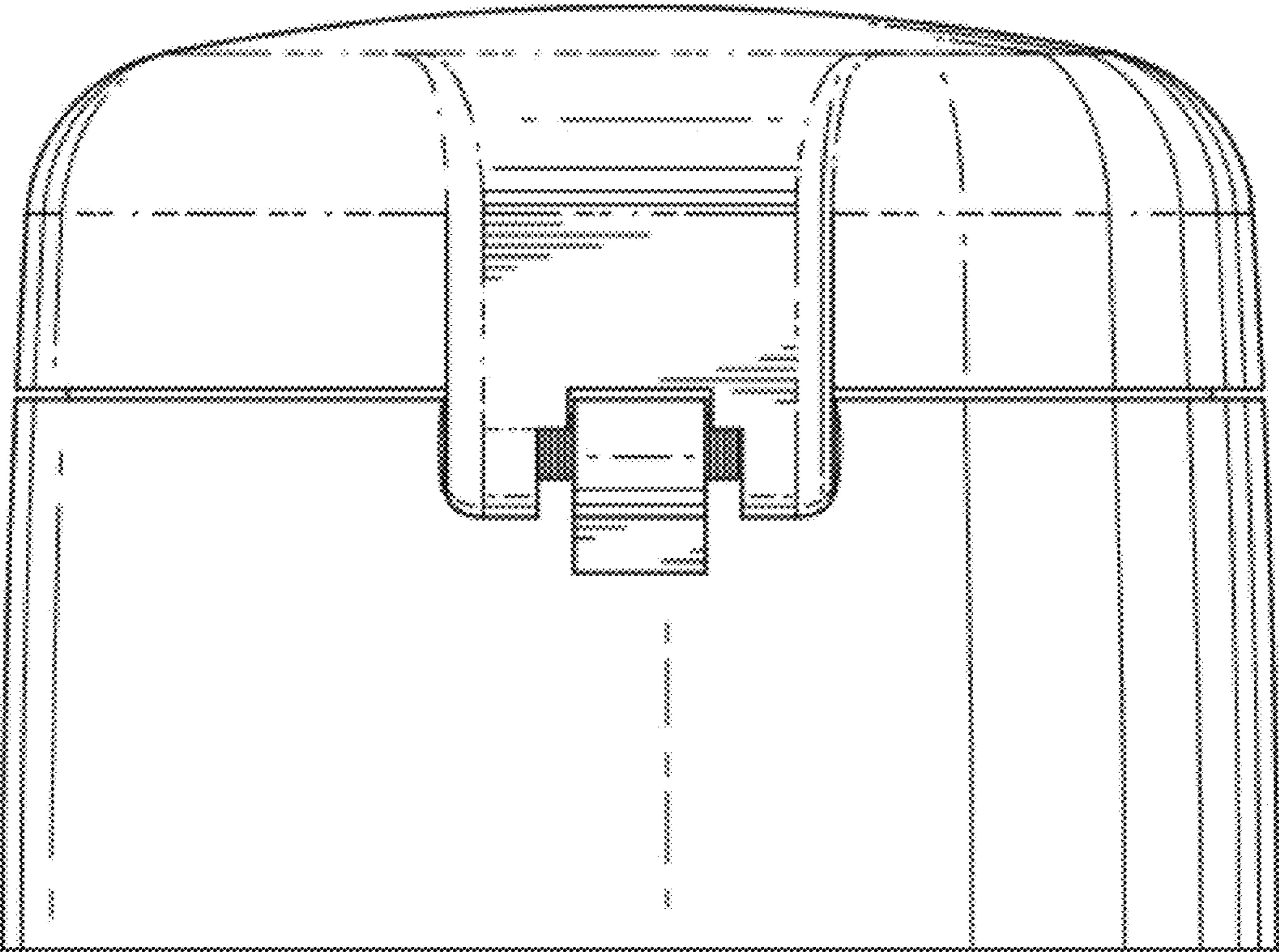


FIG. 5

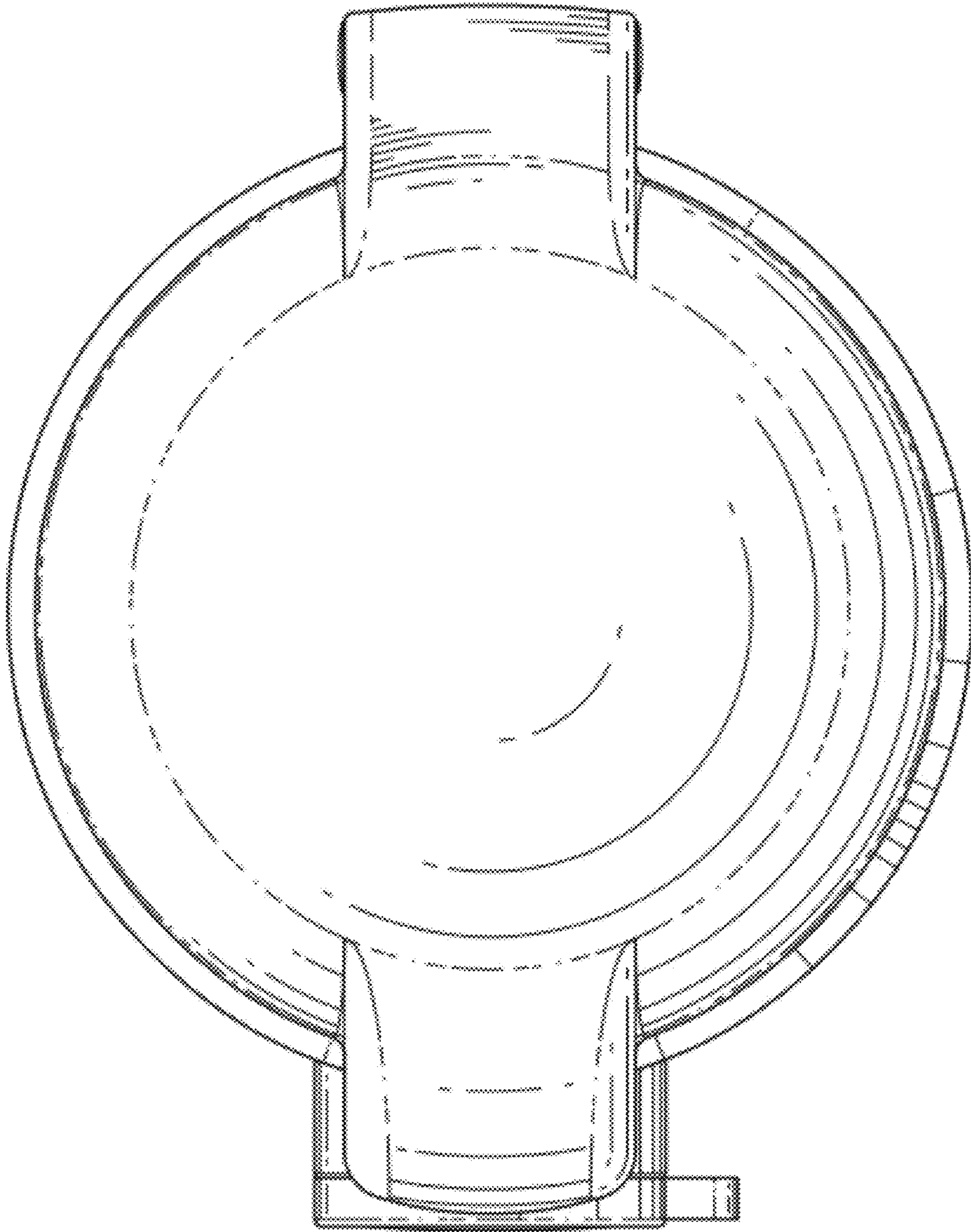


FIG. 6

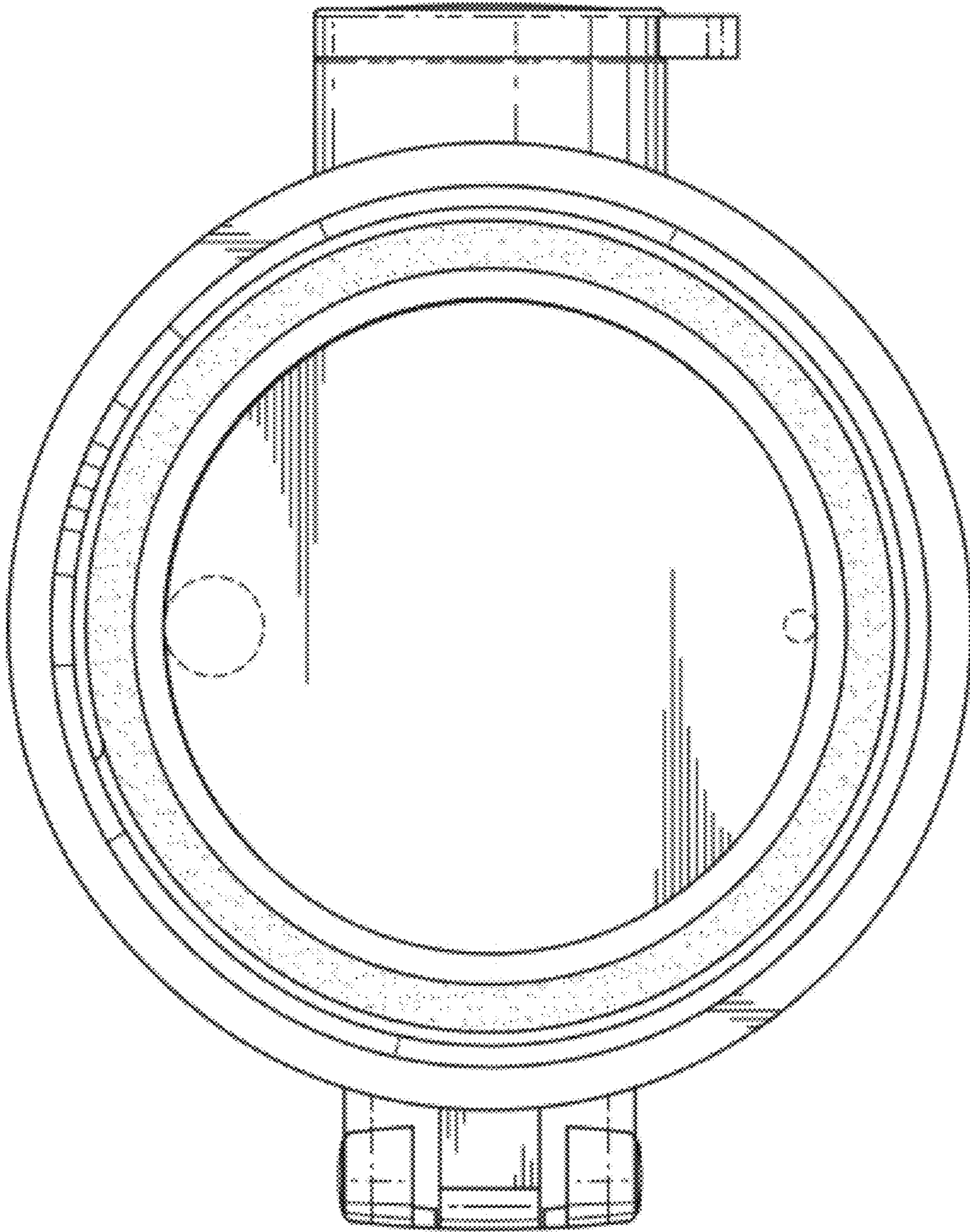


FIG. 7