



US00D661938S

(12) **United States Design Patent**
Grace

(10) **Patent No.:** **US D661,938 S**
(45) **Date of Patent:** **** Jun. 19, 2012**

(54) **OPTICAL MEDIA PACKAGE**

(75) Inventor: **John Robinson Grace**, Holland, MI
(US)

(73) Assignee: **Brilliance Audio, Inc.**, Grand Haven, MI
(US)

(**) Term: **14 Years**

(21) Appl. No.: **29/368,359**

(22) Filed: **Aug. 23, 2010**

(51) **LOC (9) Cl.** **06-04**

(52) **U.S. Cl.** **D6/634; D6/632**

(58) **Field of Classification Search** D6/407,
D6/510, 626-635; D9/414, 415, 418, 420,
D9/422-426, 428, 432-433; D19/26-27;
206/307, 307.1, 308.1, 309-313, 308.2, 308.3,
206/445, 387.15, 749, 751; D3/201, 218,
D3/270, 273, 294, 295, 299-301, 303-304;
312/9.1, 902, 9.9, 9.48, 9.55, 9.64, 9.47,
312/9.53; D14/478-479

See application file for complete search history.

(56) **References Cited**

U.S. PATENT DOCUMENTS

D268,380	S	*	3/1983	Thiele	D6/633
5,782,348	A	*	7/1998	Burdett	206/308.1
D406,001	S	*	2/1999	Nemeth	D6/632
D437,171	S	*	2/2001	Cuadrado-Serena	D6/632
D470,707	S	*	2/2003	Lopez Mas	D6/634
D493,661	S	*	8/2004	Yau	D6/635
D503,862	S	*	4/2005	Nagata et al.	D6/407
6,932,215	B1	*	8/2005	Chang	206/308.1
D517,363	S	*	3/2006	Goto	D6/629
D522,791	S	*	6/2006	Ho	D6/634
D545,107	S	*	6/2007	Hiramatsu	D6/634
D557,546	S	*	12/2007	Gelardi et al.	D6/634
D562,614	S	*	2/2008	Gelardi et al.	D6/629

D562,615	S	*	2/2008	Gelardi et al.	D6/634
D572,964	S	*	7/2008	Gelardi et al.	D6/634
D573,831	S	*	7/2008	Gelardi et al.	D6/634
7,708,139	B2	*	5/2010	Freitag et al.	206/310
D619,845	S	*	7/2010	Gelardi et al.	D6/634
D642,004	S	*	7/2011	Lau	D6/634
2005/0230274	A1	*	10/2005	Preece et al.	206/308.1
2006/0289318	A1	*	12/2006	Gelardi et al.	206/308.1

* cited by examiner

Primary Examiner — T. Chase Nelson

(74) *Attorney, Agent, or Firm* — Lee & Hayes, PLLC

(57) **CLAIM**

The ornamental design for an optical media package, as shown and described.

DESCRIPTION

FIG. 1 is a right side perspective view of an optical media package;

FIG. 2 is a left side perspective view of the optical media package of FIG. 1.

FIG. 3 is a front elevation view of the optical media package of FIG. 1;

FIG. 4 is a back elevation view of the optical media package of FIG. 1;

FIG. 5 is a left side view of the optical media package of FIG. 1;

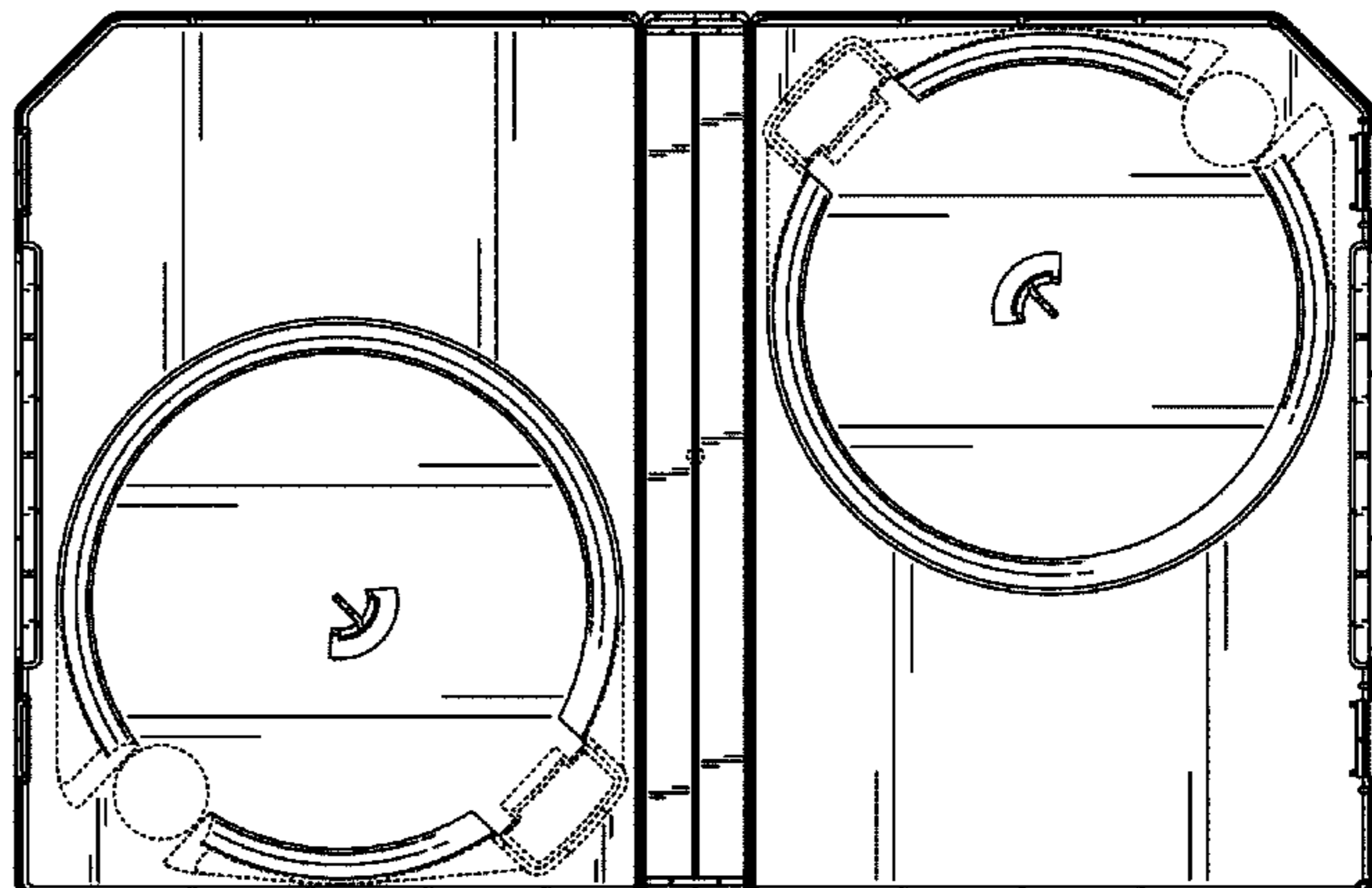
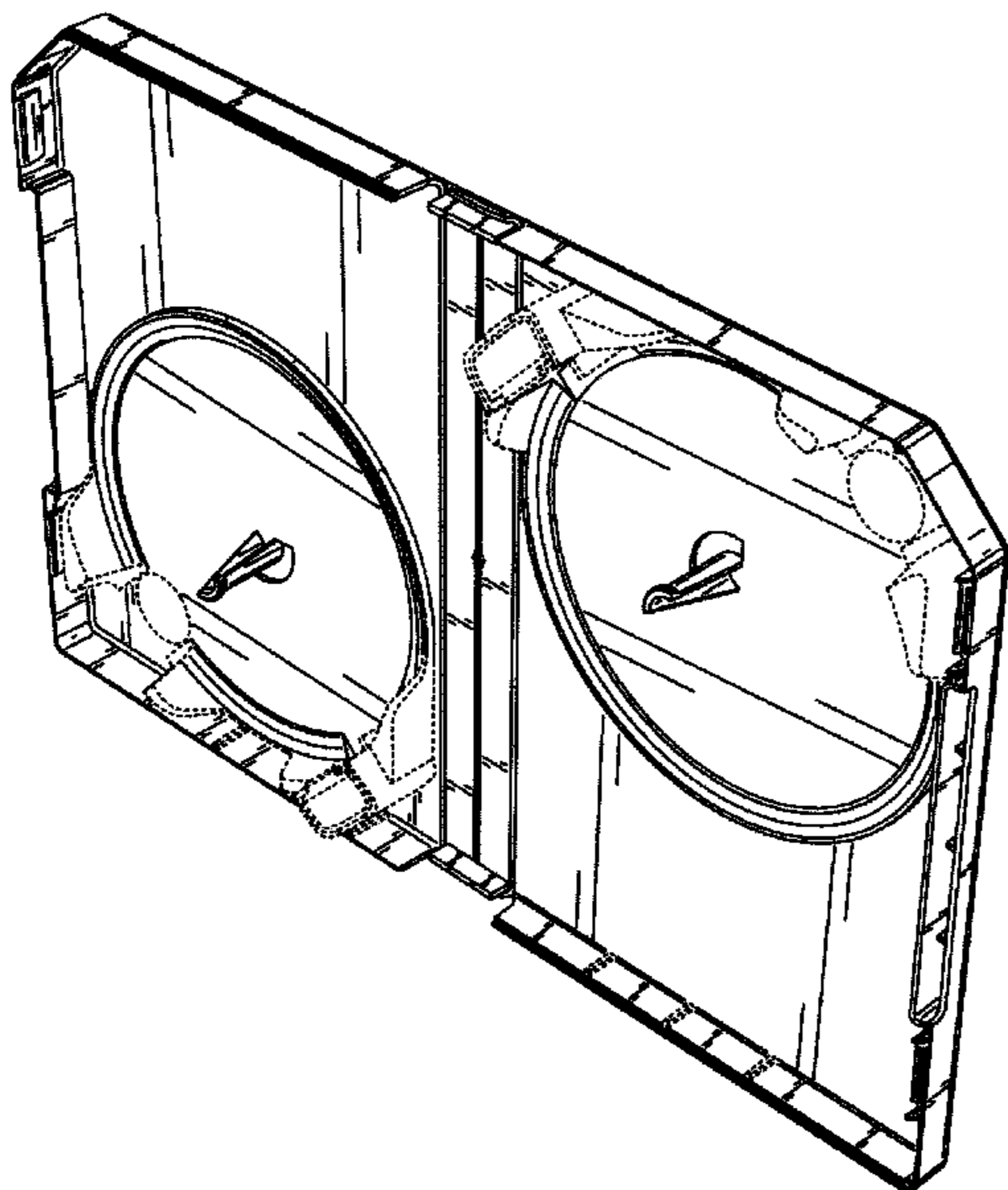
FIG. 6 is a right side view of the optical media package of FIG. 1;

FIG. 7 is a top side view of the optical media package of FIG. 1; and,

FIG. 8 is a bottom side view of the optical media package of FIG. 1.

The broken lines form no part of the claimed design. The claimed design extends to the broken line boundaries but does not include the boundaries or the areas within the boundaries.

1 Claim, 6 Drawing Sheets



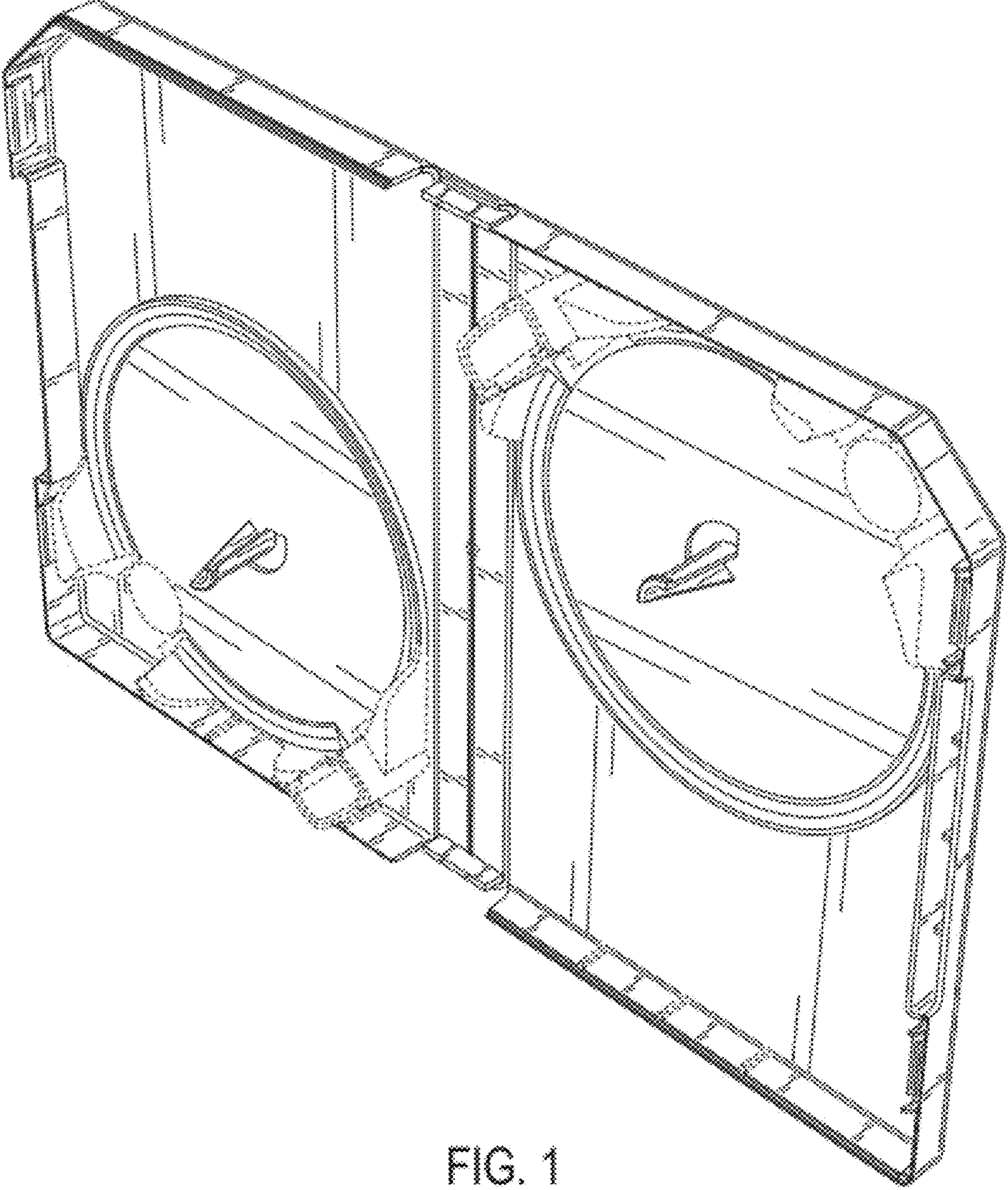


FIG. 1

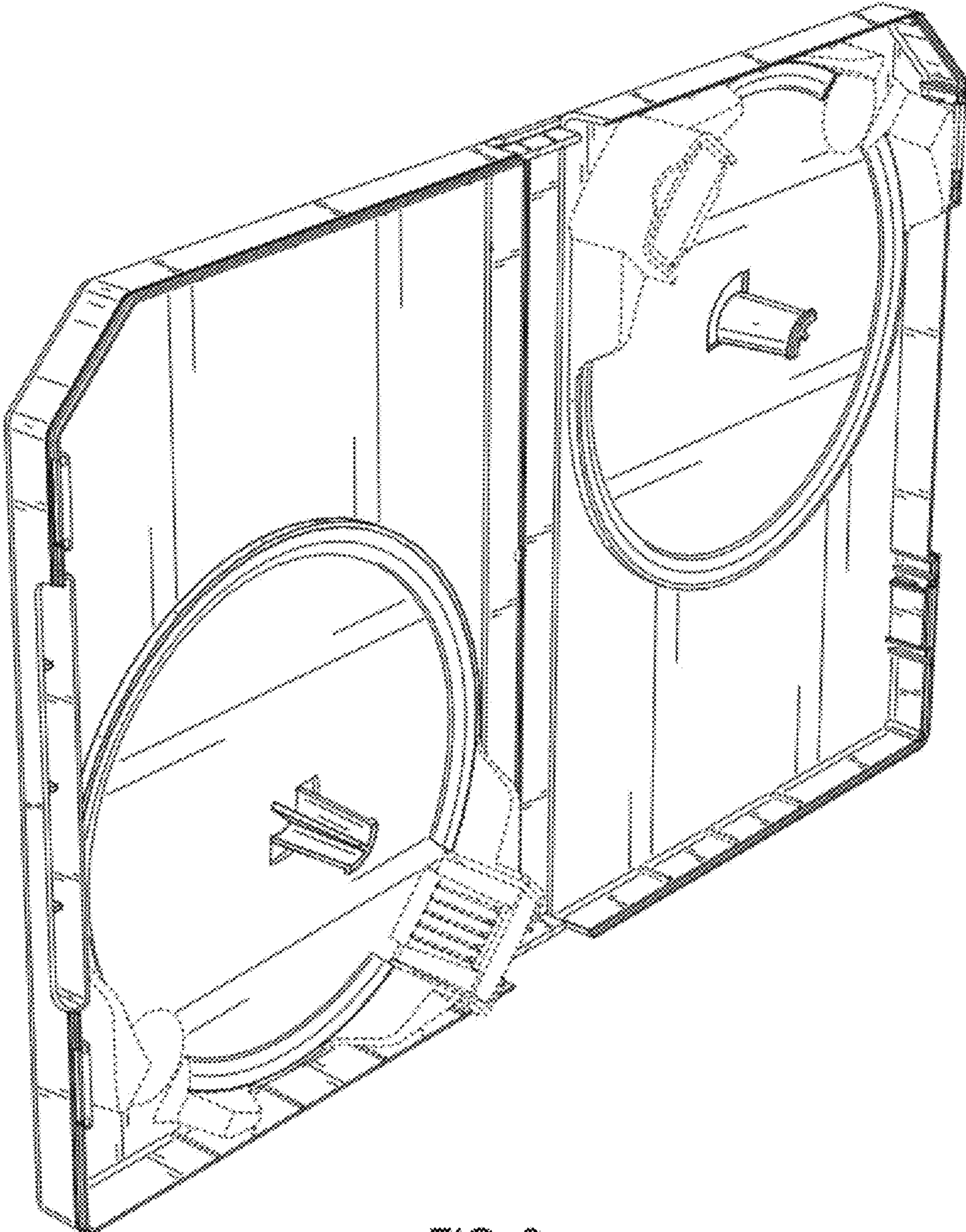


FIG. 2

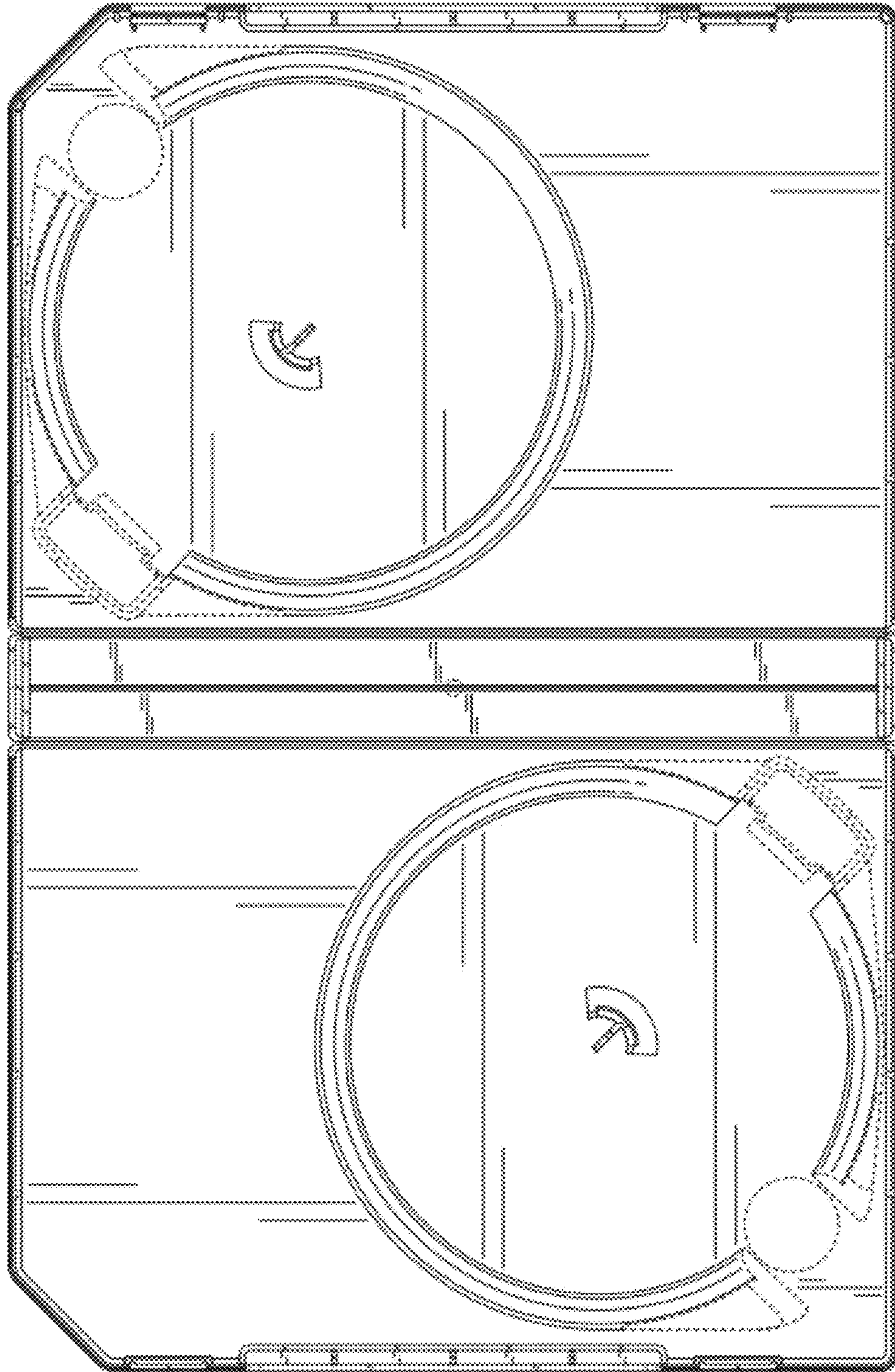


FIG. 3

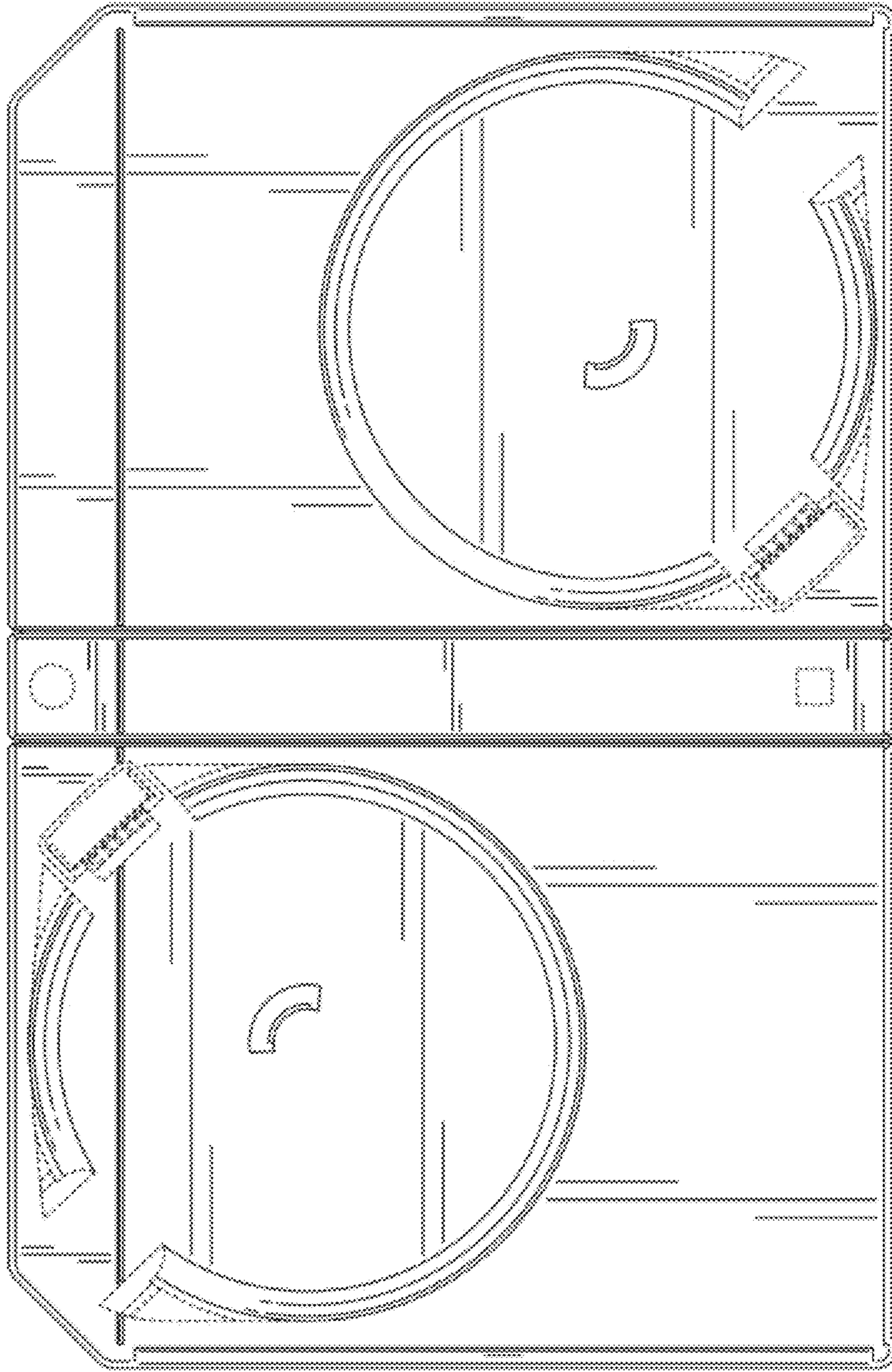


FIG. 4

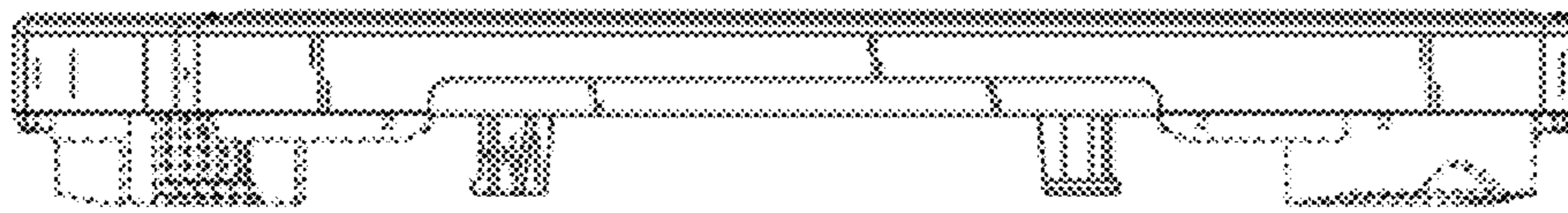


FIG. 6

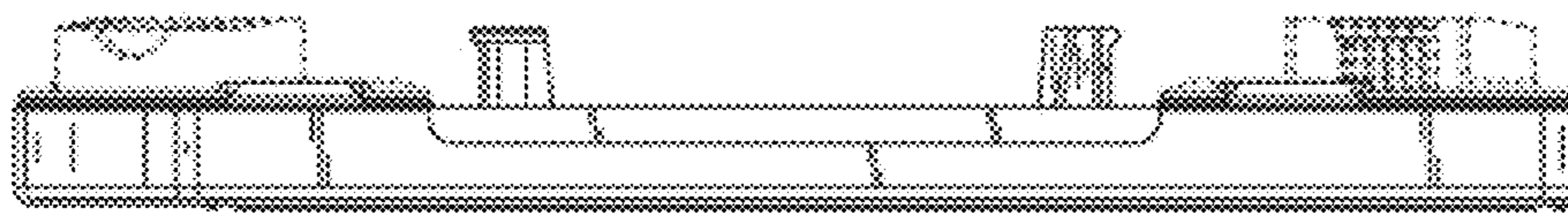


FIG. 5

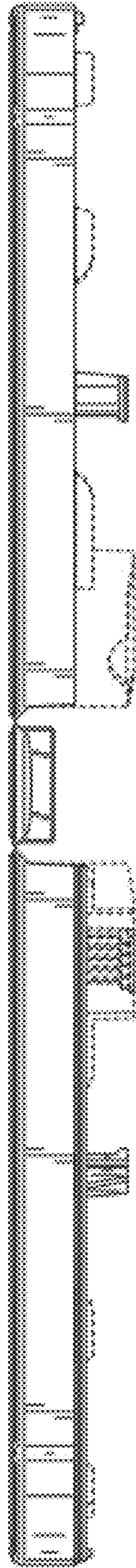


FIG. 7

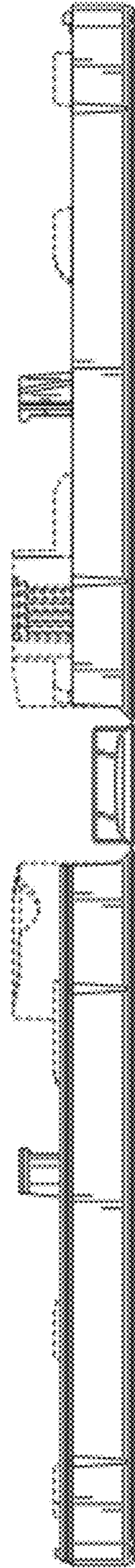


FIG. 8