



US00D661935S

(12) **United States Design Patent**
Kozak et al.

(10) **Patent No.:** **US D661,935 S**
(45) **Date of Patent:** **** Jun. 19, 2012**

(54) **PRODUCT DISPLAY RACK**

D547,138 S * 7/2007 Goodman et al. D6/566
D547,955 S * 8/2007 Johnson et al. D6/566

(76) Inventors: **Burton Kozak**, Chicago, IL (US); **Ira Kozak**, Riverwoods, IL (US)

* cited by examiner

(**) Term: **14 Years**

Primary Examiner — Brian N Vinson

(21) Appl. No.: **29/405,733**

(74) *Attorney, Agent, or Firm* — Factor Intellectual Property Law Group

(22) Filed: **Nov. 4, 2011**

(57) **CLAIM**

The ornamental design of a product display rack, as shown.

DESCRIPTION

Related U.S. Application Data

(62) Division of application No. 29/365,676, filed on Jul. 13, 2010, now Pat. No. Des. 651,031.

(51) **LOC (9) Cl.** **06-04**

(52) **U.S. Cl.** **D6/566**

(58) **Field of Classification Search** D6/512-514,
D6/566, 553, 567, 569, 315, 320, 327; D8/349,
D8/354, 367, 372; 248/301-304, 309.1,
248/309.2; 211/13.1, 30, 32, 70.6, 56.01,
211/87.01, 181.1

See application file for complete search history.

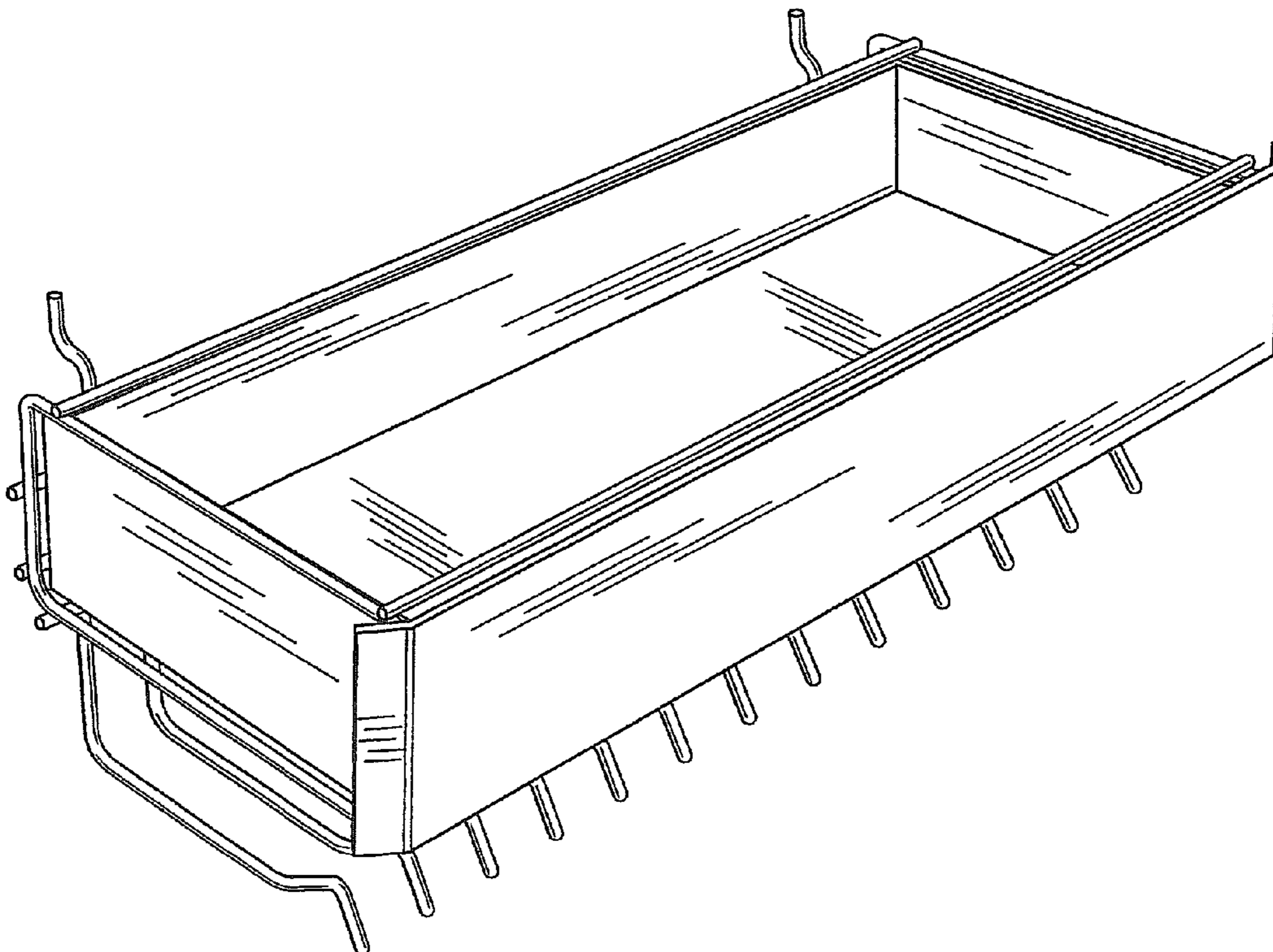
FIG. 1 is an isometric view from the front and to one side of a product display rack with a drawer in a closed position; FIG. 2 is a side elevation view of the right side (when viewed from the front) of the product display rack of FIG. 1; FIG. 3 is a front elevation view of the product display rack of FIG. 1; FIG. 4 is a rear elevation view of the product display rack of FIG. 1; FIG. 5 is a top plan view of the product display rack of FIG. 1; FIG. 6 is a bottom plan view of the product display rack of FIG. 1; FIG. 7 is an isometric view from the front and one side of the product display rack of FIG. 1 with the drawer in an open position; and, FIG. 8 is an isometric view from the front and one side of the product display rack of FIG. 1 with the drawer removed from the rack.

(56) **References Cited**

U.S. PATENT DOCUMENTS

D418,349 S * 1/2000 Schumacher D6/566
D457,014 S * 5/2002 Miller D6/566
D462,220 S * 9/2002 Battaglia et al. D6/566
D533,002 S * 12/2006 Recknagel et al. D6/566
D533,745 S * 12/2006 Rodrigue D6/566

1 Claim, 8 Drawing Sheets



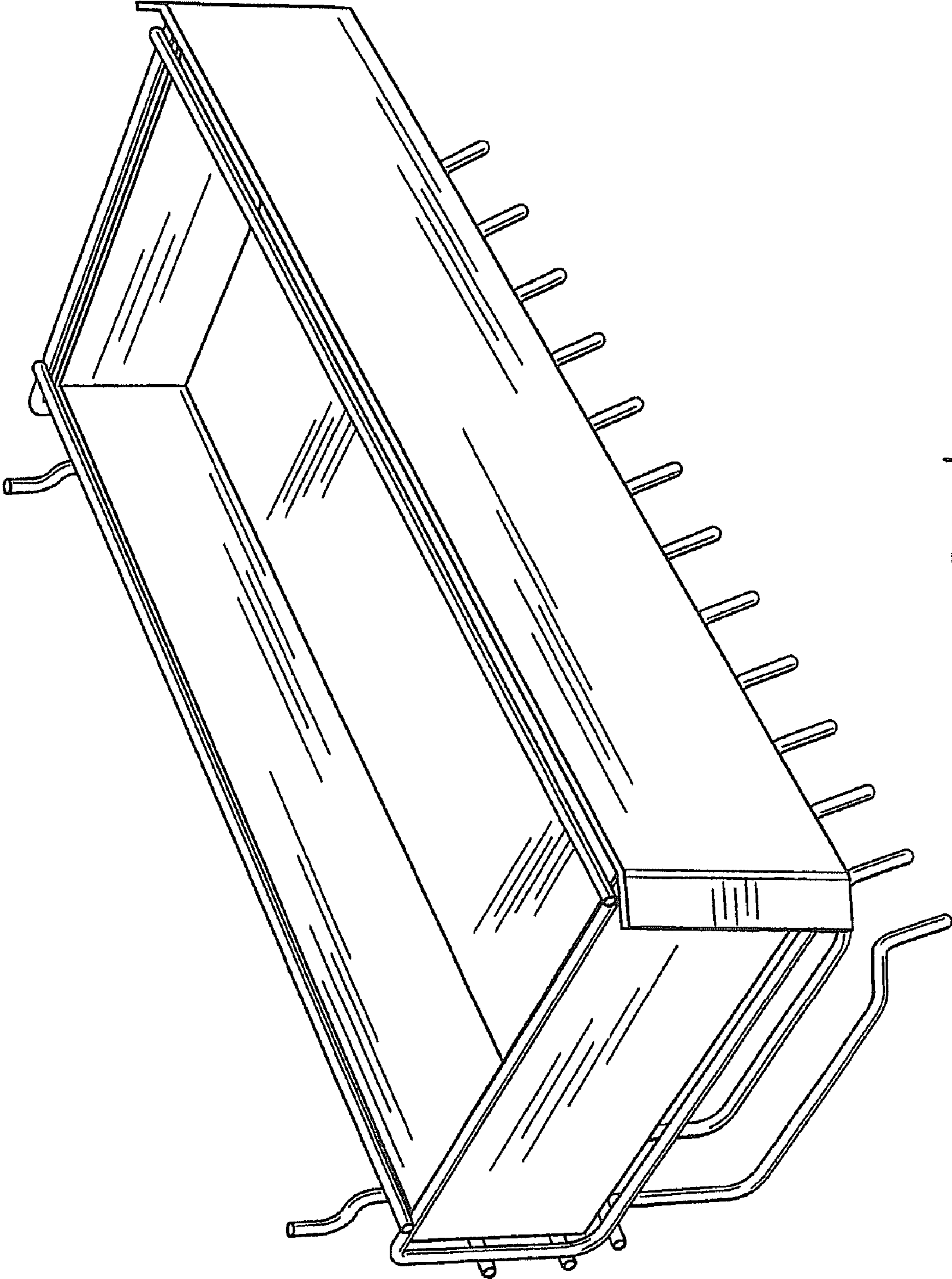


FIG. 1

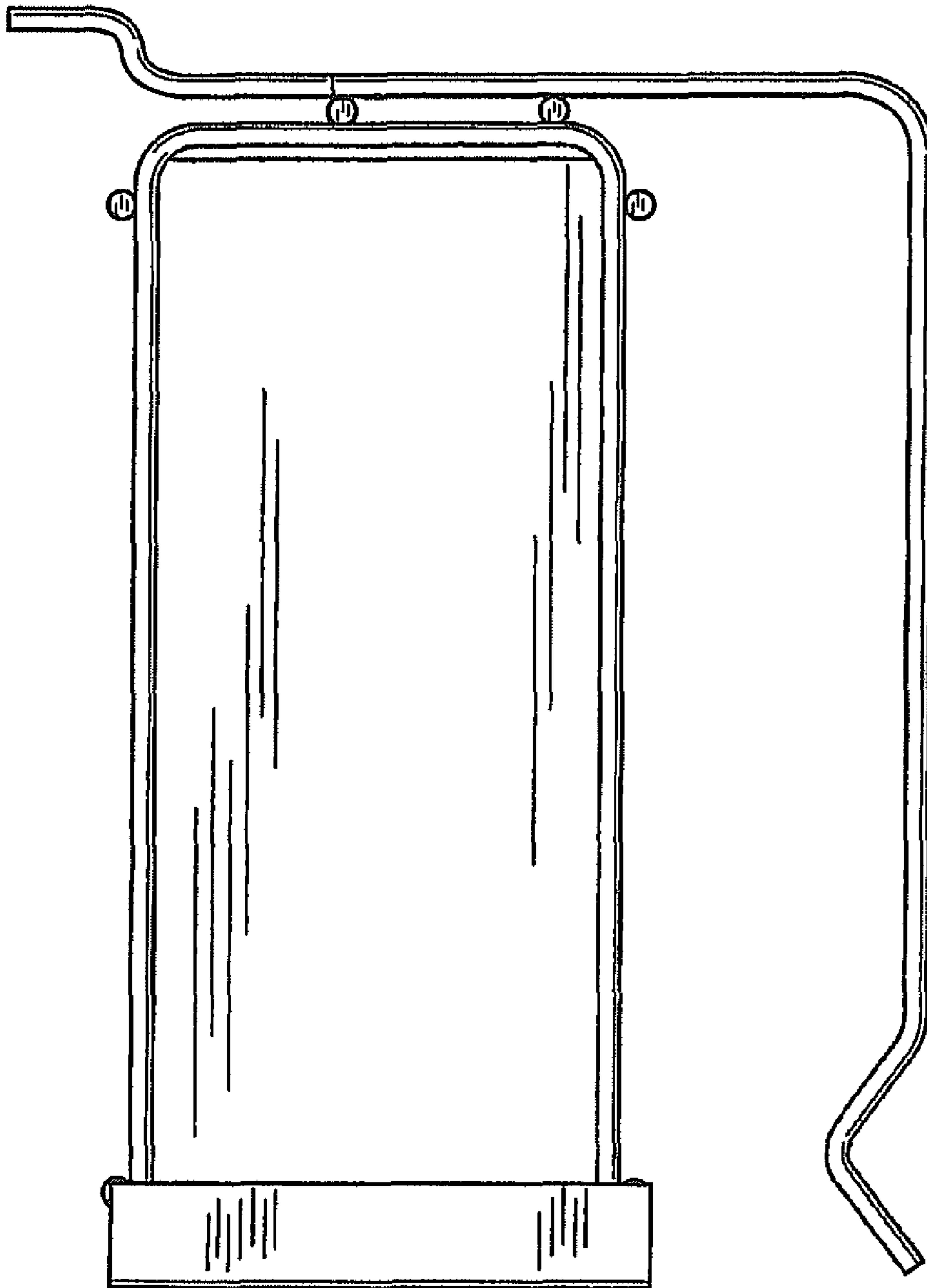


FIG. 2

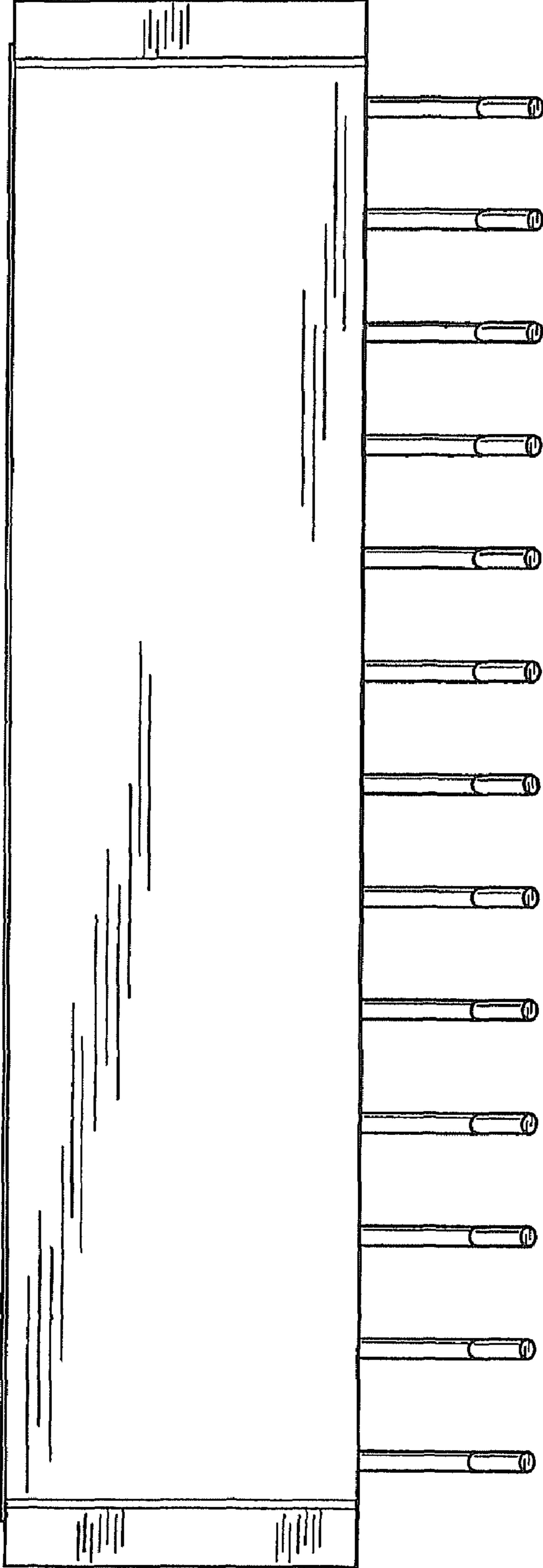


FIG. 3

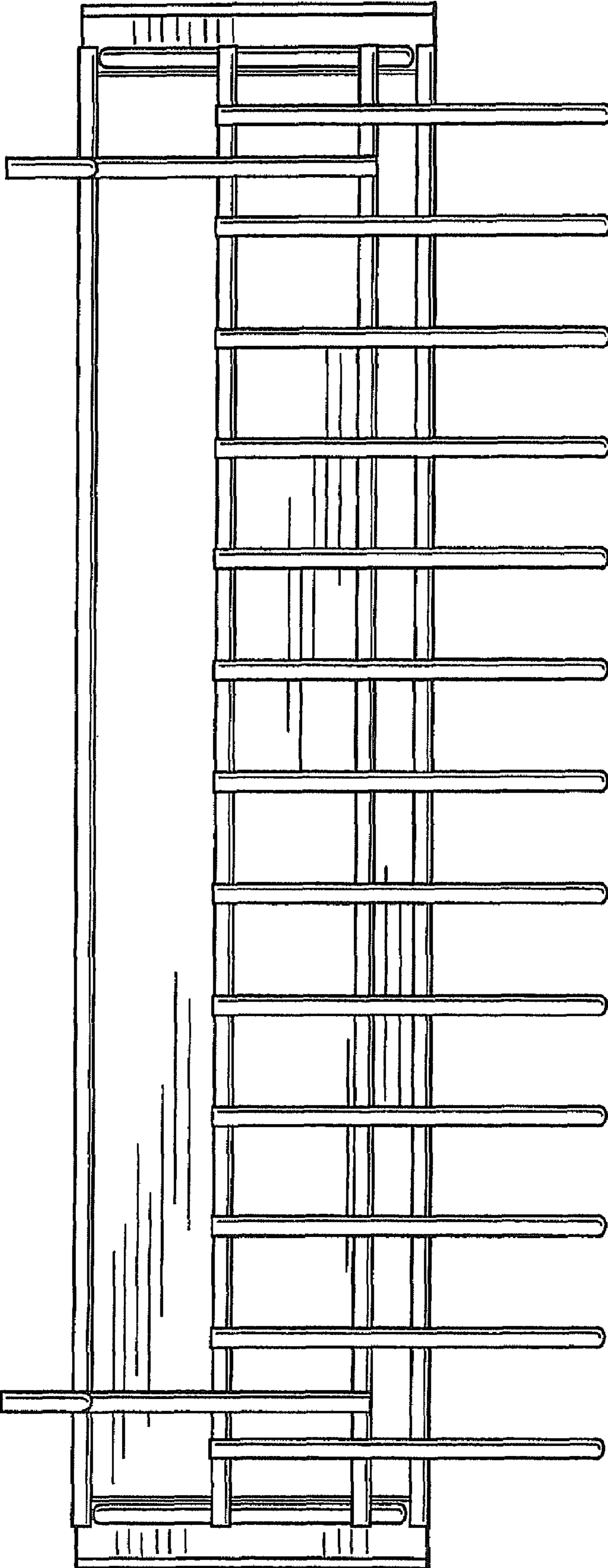


FIG. 4

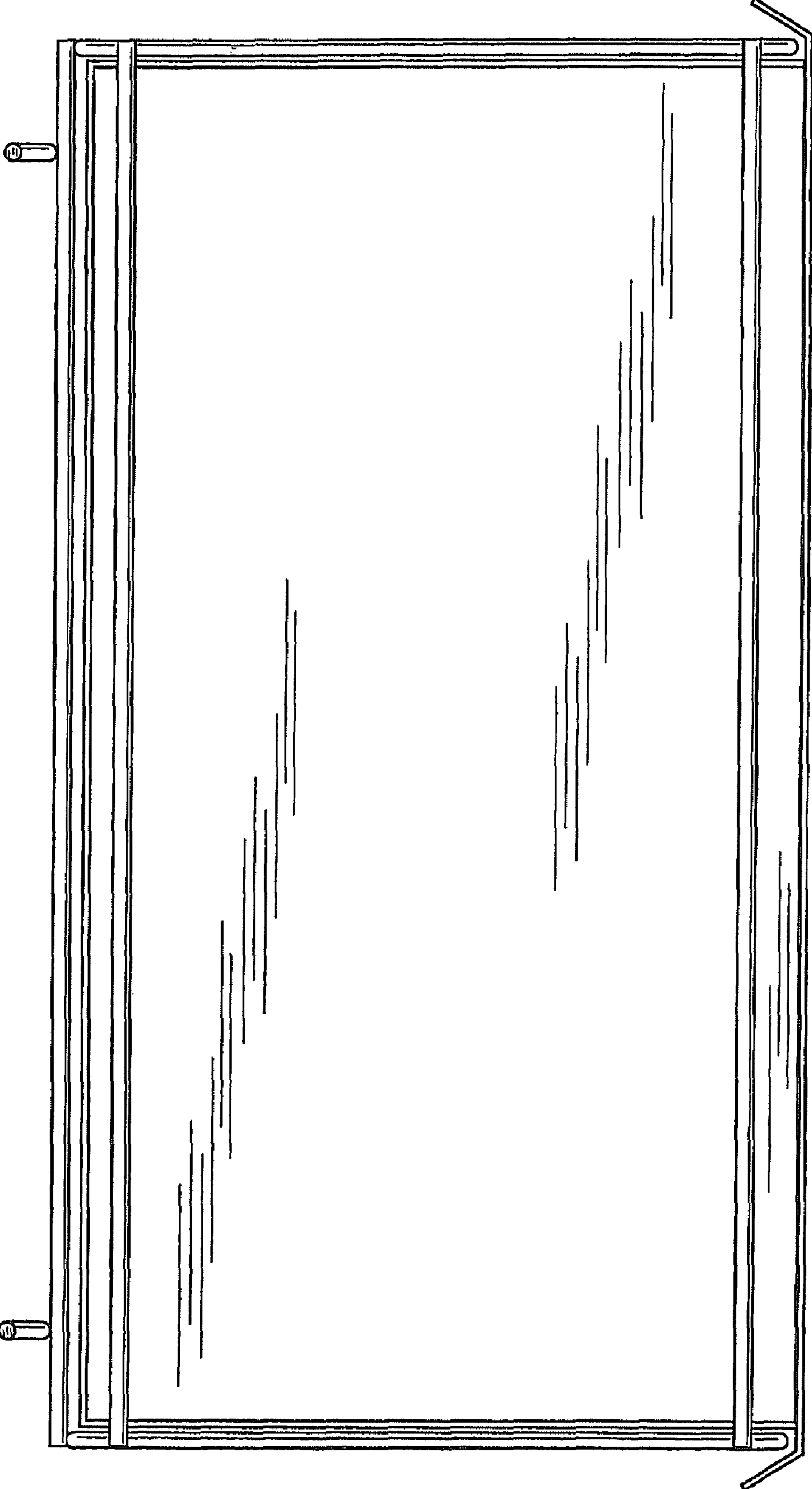


FIG. 5

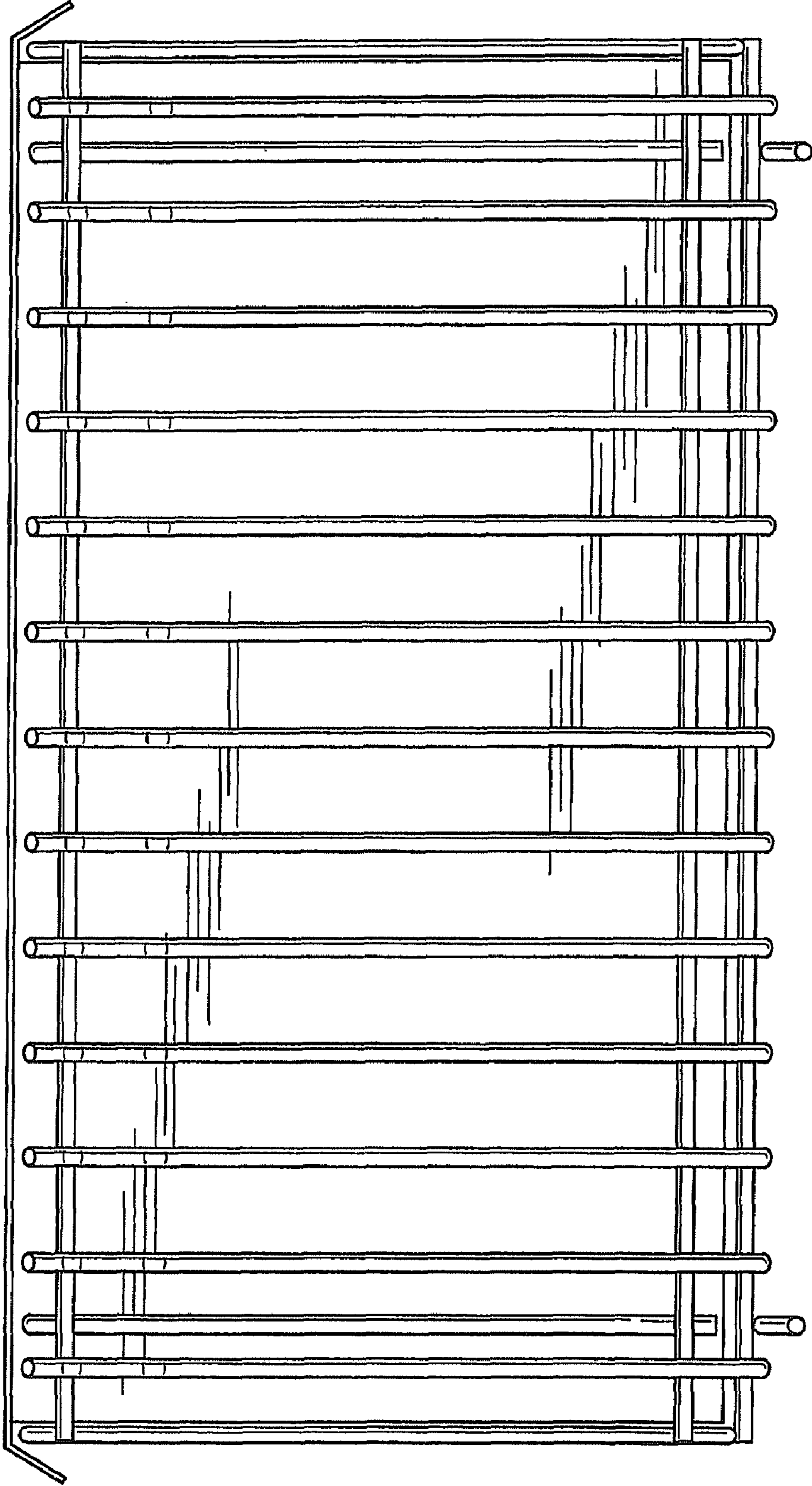


FIG. 6

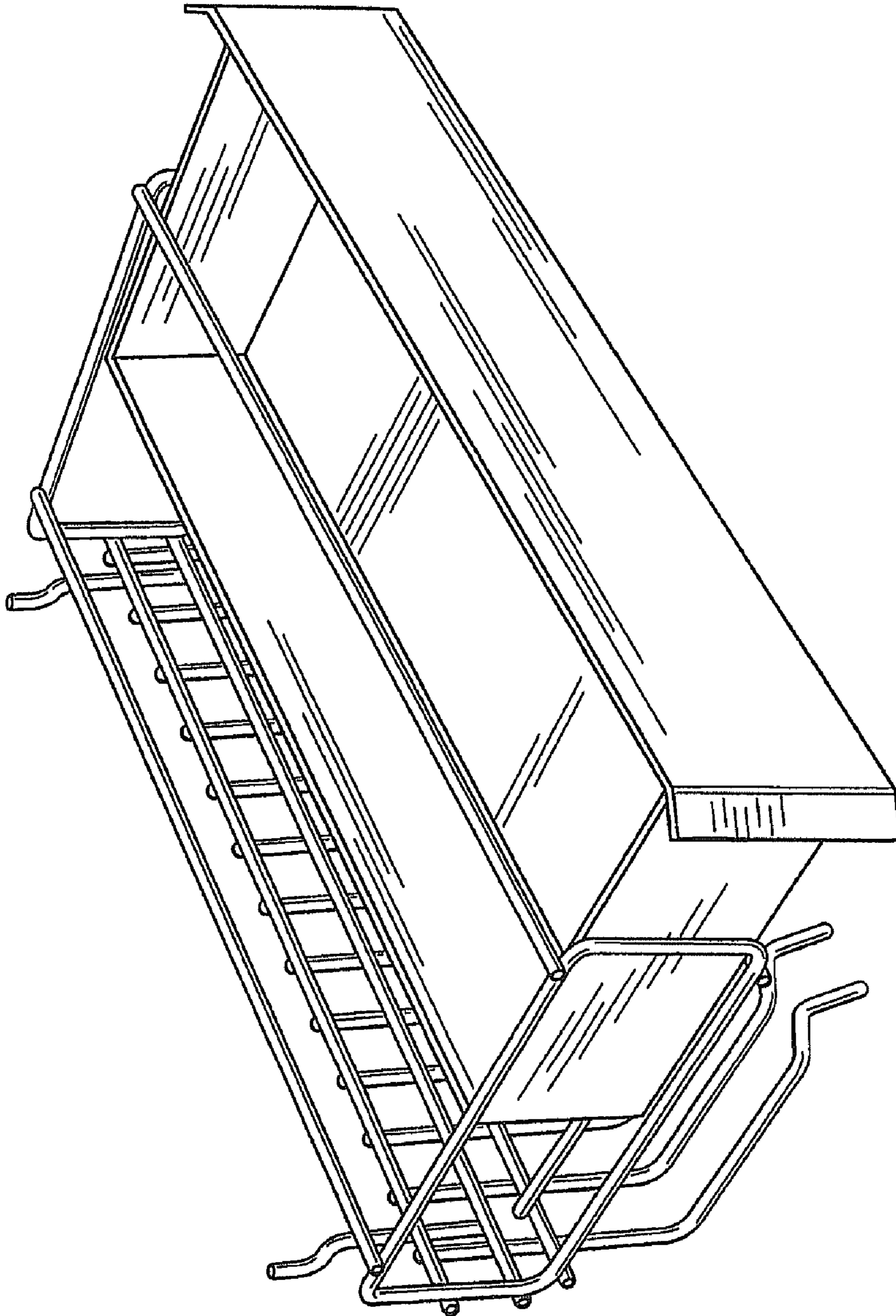


FIG. 7

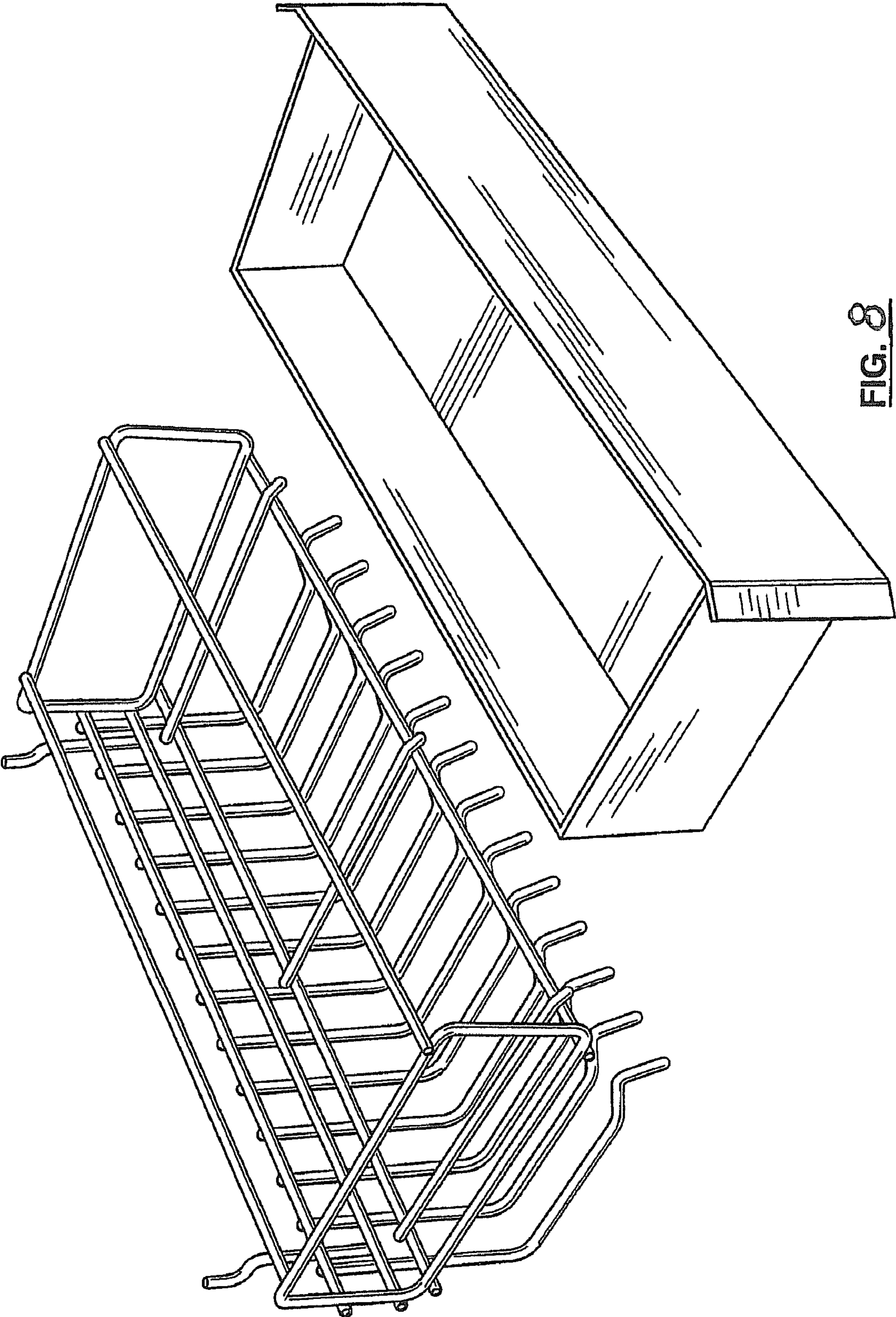


FIG. 8