



US00D661934S

(12) **United States Design Patent**
Stampfli

(10) **Patent No.:** **US D661,934 S**
(45) **Date of Patent:** **** Jun. 19, 2012**

(54) **SOAP DISPENSER**

(76) Inventor: **Nathalie Stampfli**, Weisslingen (CH)

(**) Term: **14 Years**

(21) Appl. No.: **29/398,869**

(22) Filed: **Aug. 5, 2011**

(30) **Foreign Application Priority Data**

Feb. 7, 2011 (WO) DM/075 347

(51) **LOC (9) Cl.** **23-02**

(52) **U.S. Cl.** **D6/545**

(58) **Field of Classification Search** D6/542-545;
221/208, 282, 283; 222/105, 173, 180, 181.1,
222/181.2, 181.3

See application file for complete search history.

(56) **References Cited**

U.S. PATENT DOCUMENTS

445,769 A	2/1891	Chamberlin	
673,662 A	5/1901	Schwechler	
824,768 A	7/1906	Welch	
826,896 A	7/1906	Shaver	
888,287 A	5/1908	Williams	
1,444,773 A	2/1923	Bellows	
1,518,676 A	12/1924	Serre	
2,037,329 A	4/1936	Iaggi	
2,108,092 A	2/1938	Wheatley	
2,279,602 A	4/1942	Voorhis	
2,480,271 A	8/1949	Sumner	
2,489,081 A	11/1949	Crichton	
2,507,228 A	5/1950	Speas	
2,524,137 A	10/1950	Pumphrey	
2,613,713 A	10/1952	Peebles	
2,700,995 A	2/1955	Ritter	
2,792,863 A	5/1957	McNally	
3,464,469 A	9/1969	Belz	
4,164,306 A *	8/1979	Perrin	D6/545
4,697,749 A	10/1987	Holcomb	
D321,453 S *	11/1991	Ophardt	D7/300
D335,791 S *	5/1993	Cumley	D6/545
D341,974 S	12/1993	Killoy	
D378,035 S *	2/1997	Ophardt	D6/545
D392,517 S	3/1998	Holcomb	

5,931,397 A	8/1999	Herman	
D442,813 S *	5/2001	Andersson	D6/545
D452,099 S *	12/2001	Poitras et al.	D6/545
D529,321 S *	10/2006	Gould et al.	D6/545

(Continued)

Primary Examiner — Brian N Vinson

(74) *Attorney, Agent, or Firm* — Patent Procurement Services

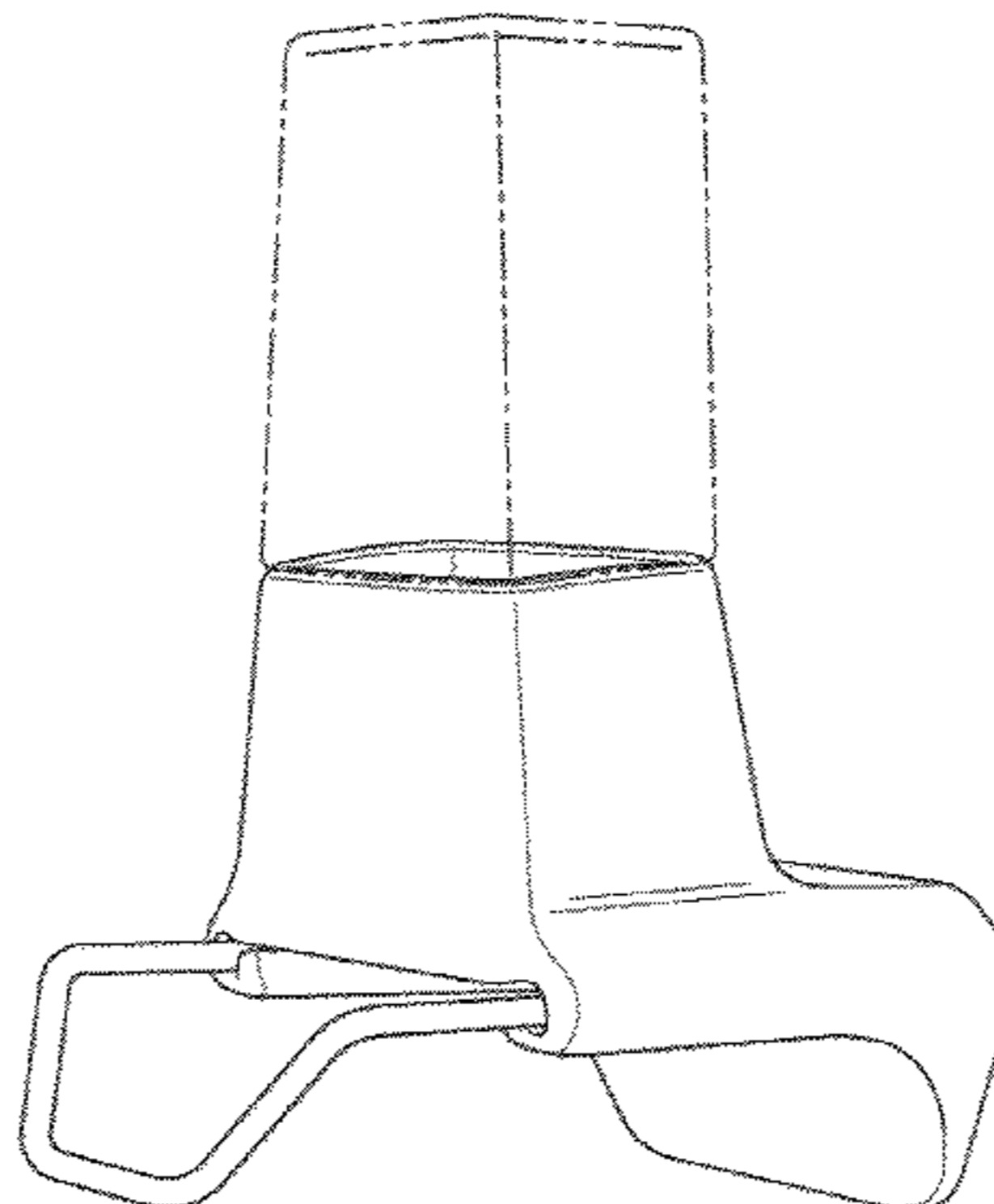
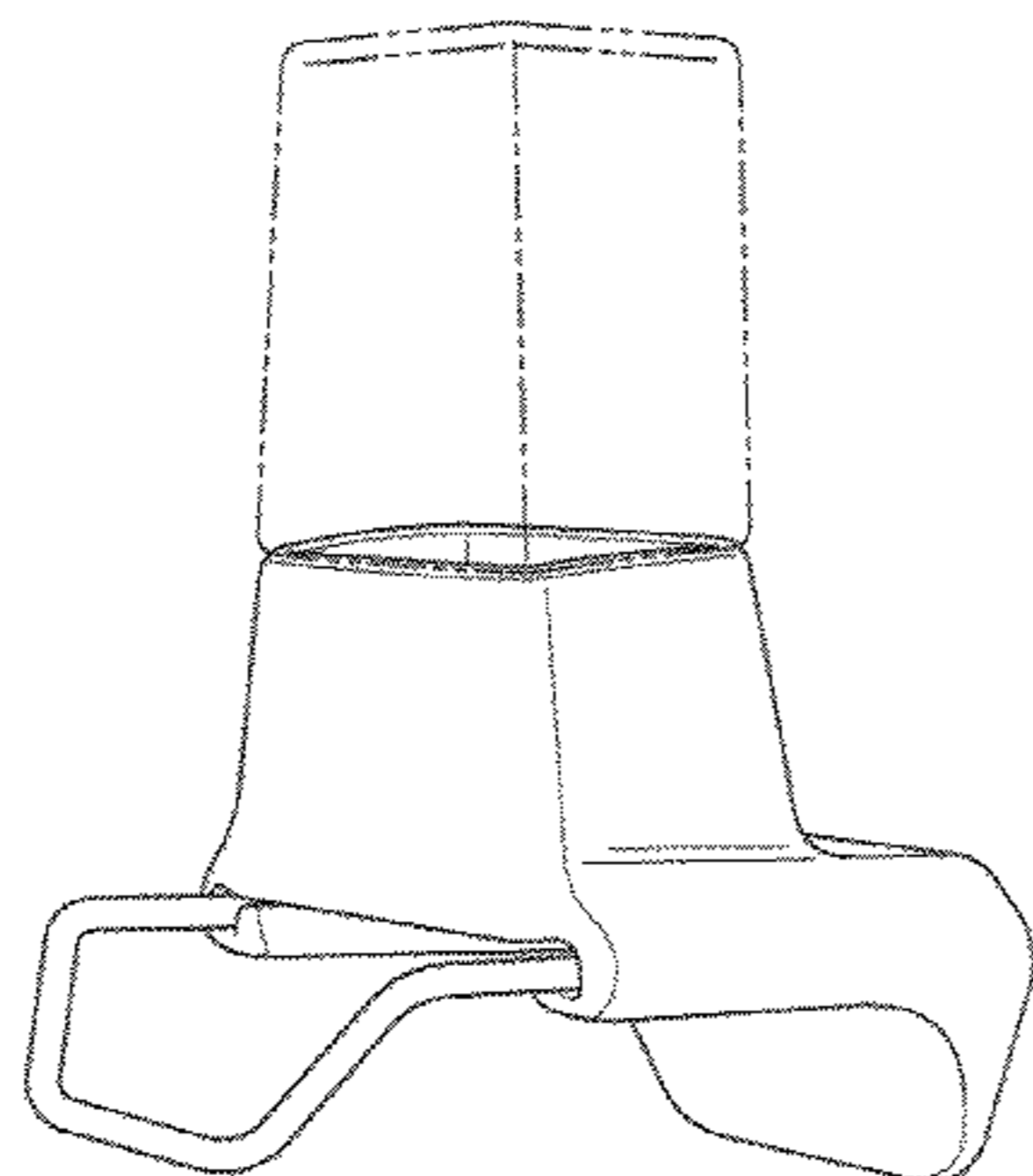
(57) **CLAIM**

The ornamental design for a soap dispenser, as shown and described.

DESCRIPTION

FIG. 1 is a top, front, and right side perspective view of a first embodiment of a soap dispenser showing my new design; FIG. 2 is a left side elevational view thereof; FIG. 3 is a front elevational view thereof; FIG. 4 is a rear elevational view thereof; FIG. 5 is a top plan view thereof; FIG. 6 is a bottom plan view thereof, with the broken-line disclosure in FIGS. 5 and 6 understood to represent portions of the article in which the claimed design is embodied, but which forms no part of the claimed design; FIG. 7 is an additional top, front, and right side perspective view thereof, with the broken-line disclosure of a detachable soap cover being for illustrative purposes only and forming no part of the claimed design; FIG. 8 is a top, front, and right side perspective view of a second embodiment of a soap dispenser showing my new design; FIG. 9 is a left side elevational view thereof; FIG. 10 is a front elevational view thereof; FIG. 11 is a rear elevational view thereof; FIG. 12 is a top plan view thereof; FIG. 13 is a bottom plan view thereof, with the broken-line disclosure in FIGS. 12 and 13 understood to represent portions of the article in which the claimed design is embodied, but which forms no part of the claimed design; and, FIG. 14 is an additional top, front, and right side perspective view thereof, with the broken-line disclosure of a detachable soap cover being for illustrative purposes only and forming no part of the claimed design.

1 Claim, 4 Drawing Sheets



US D661,934 S

Page 2

U.S. PATENT DOCUMENTS

D529,740 S	*	10/2006	Ophardt	D6/545	D611,746 S	*	3/2010	Fahy et al.	D6/545
D530,124 S	*	10/2006	Ophardt et al.	D6/545	D623,880 S	*	9/2010	White	D6/545
D602,291 S	*	10/2009	Yang et al.	D6/545					

* cited by examiner

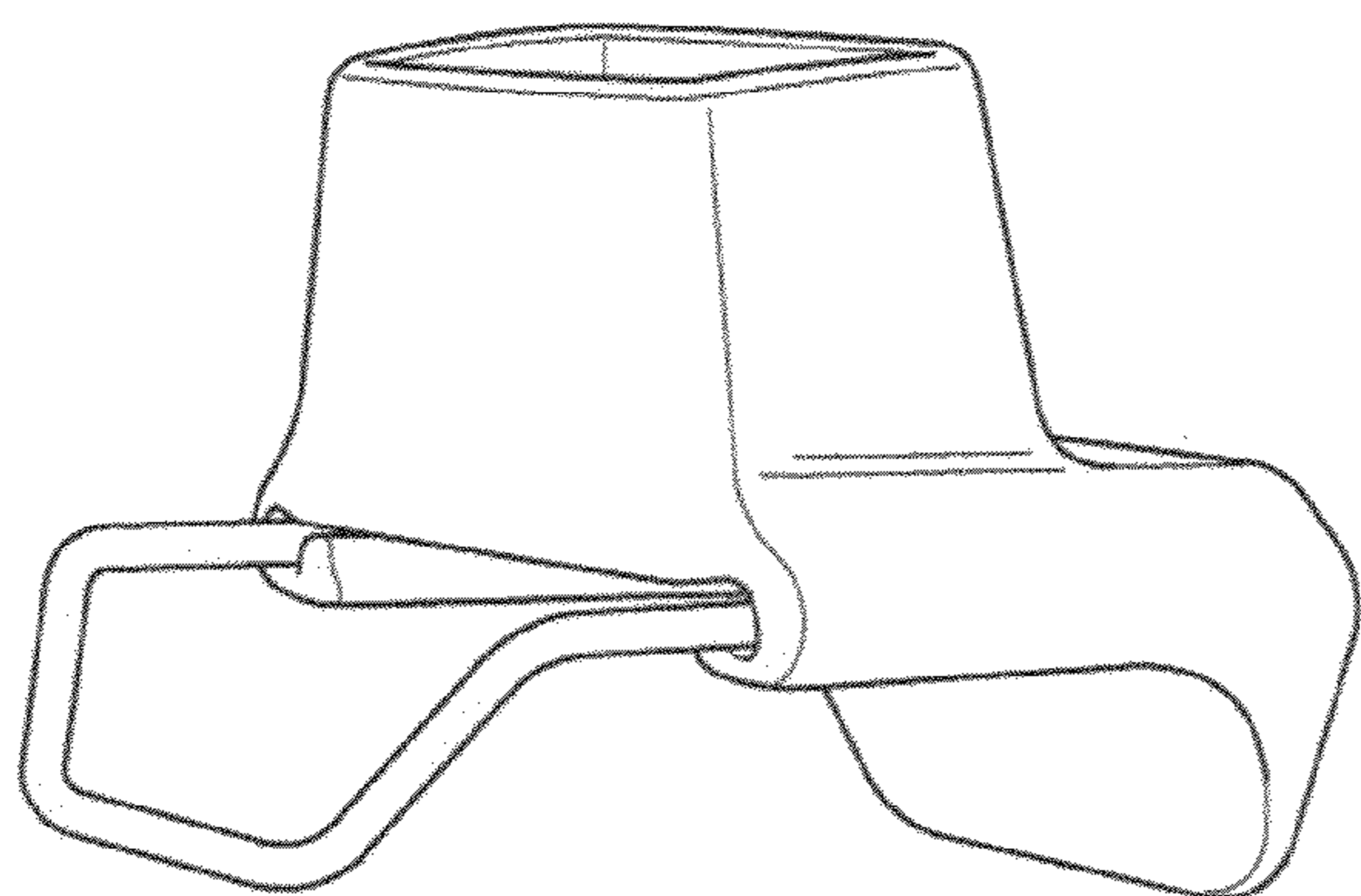


FIG. 1

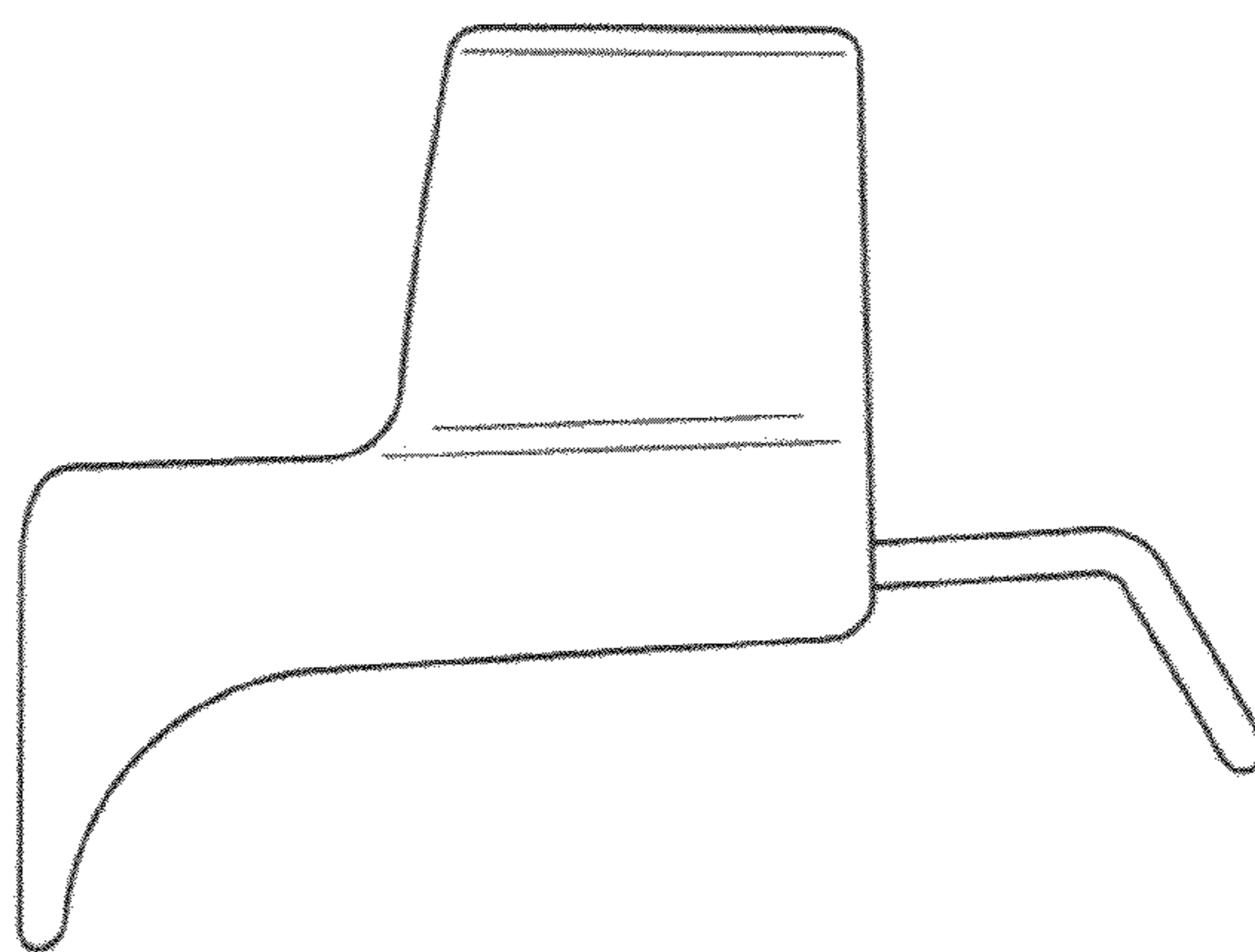


FIG. 2

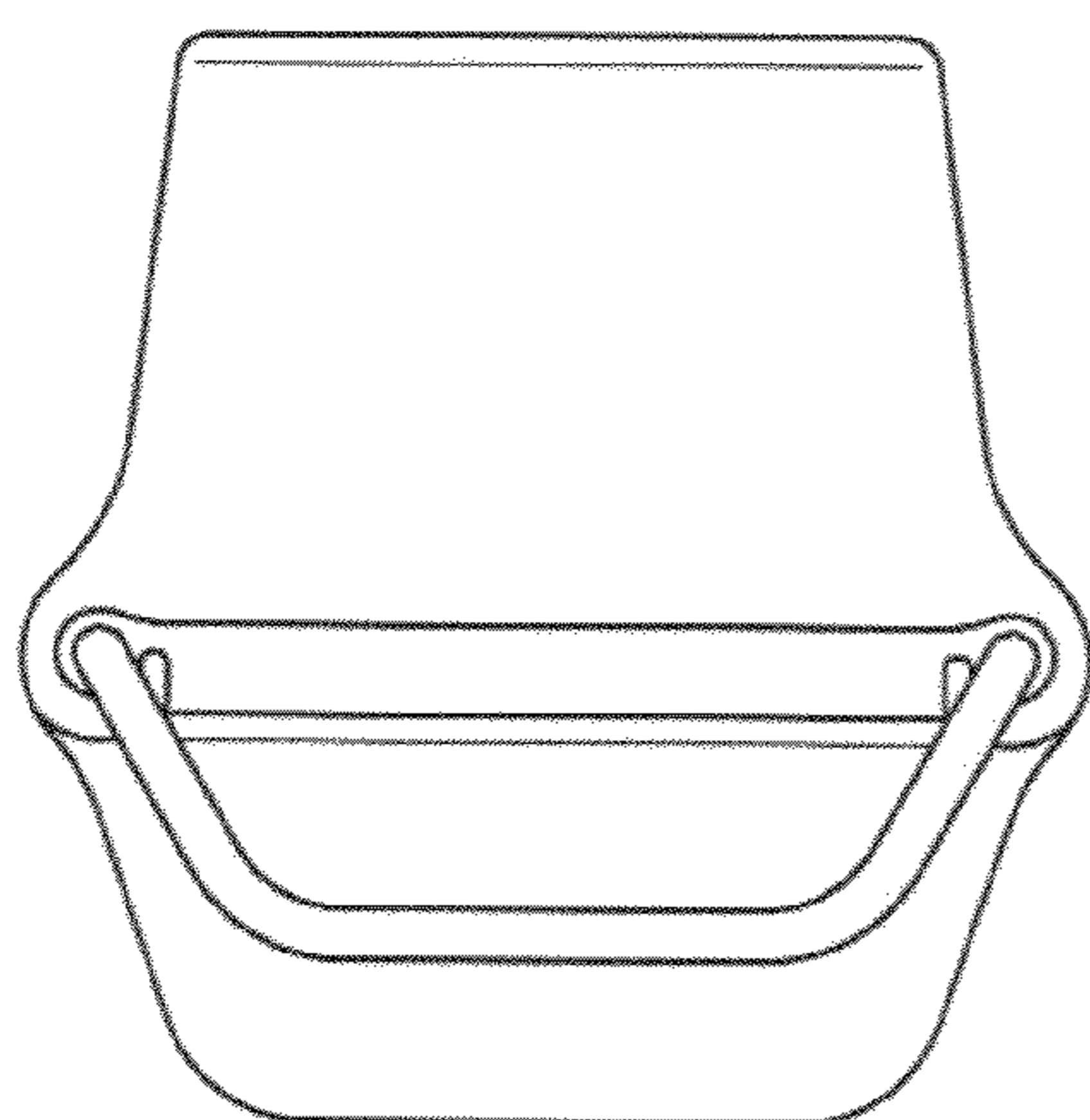


FIG. 3

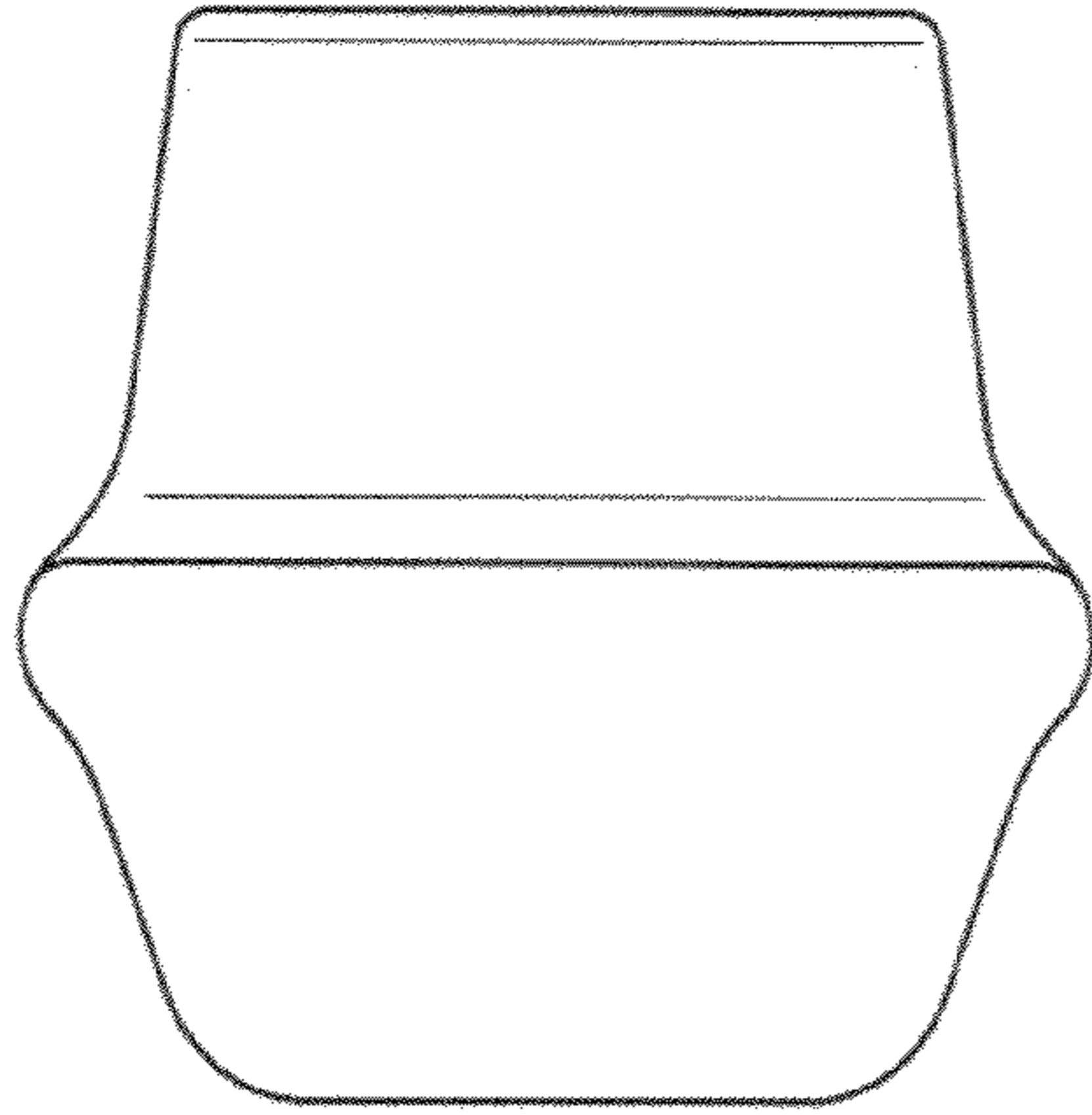


FIG. 4

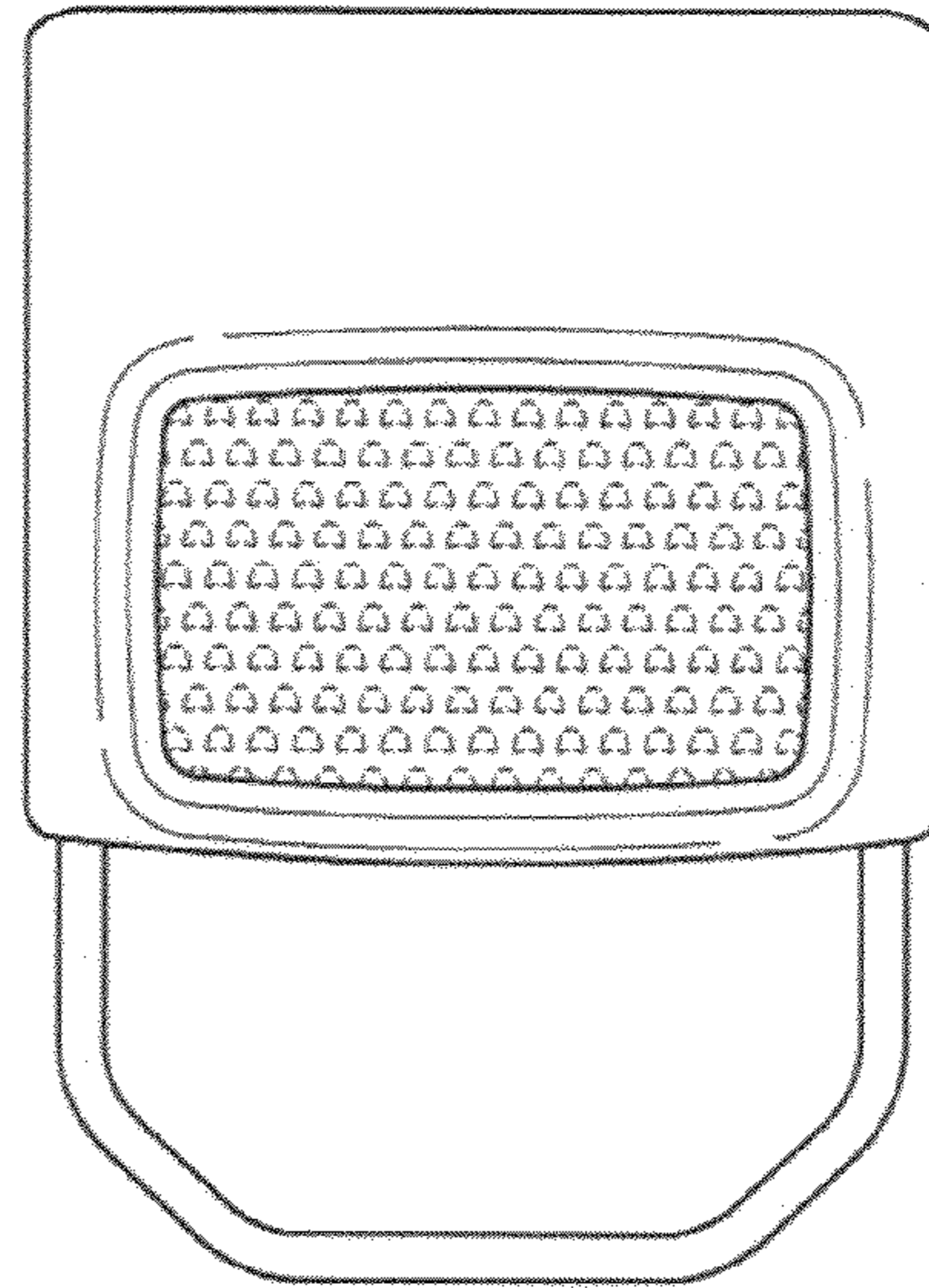


FIG. 5

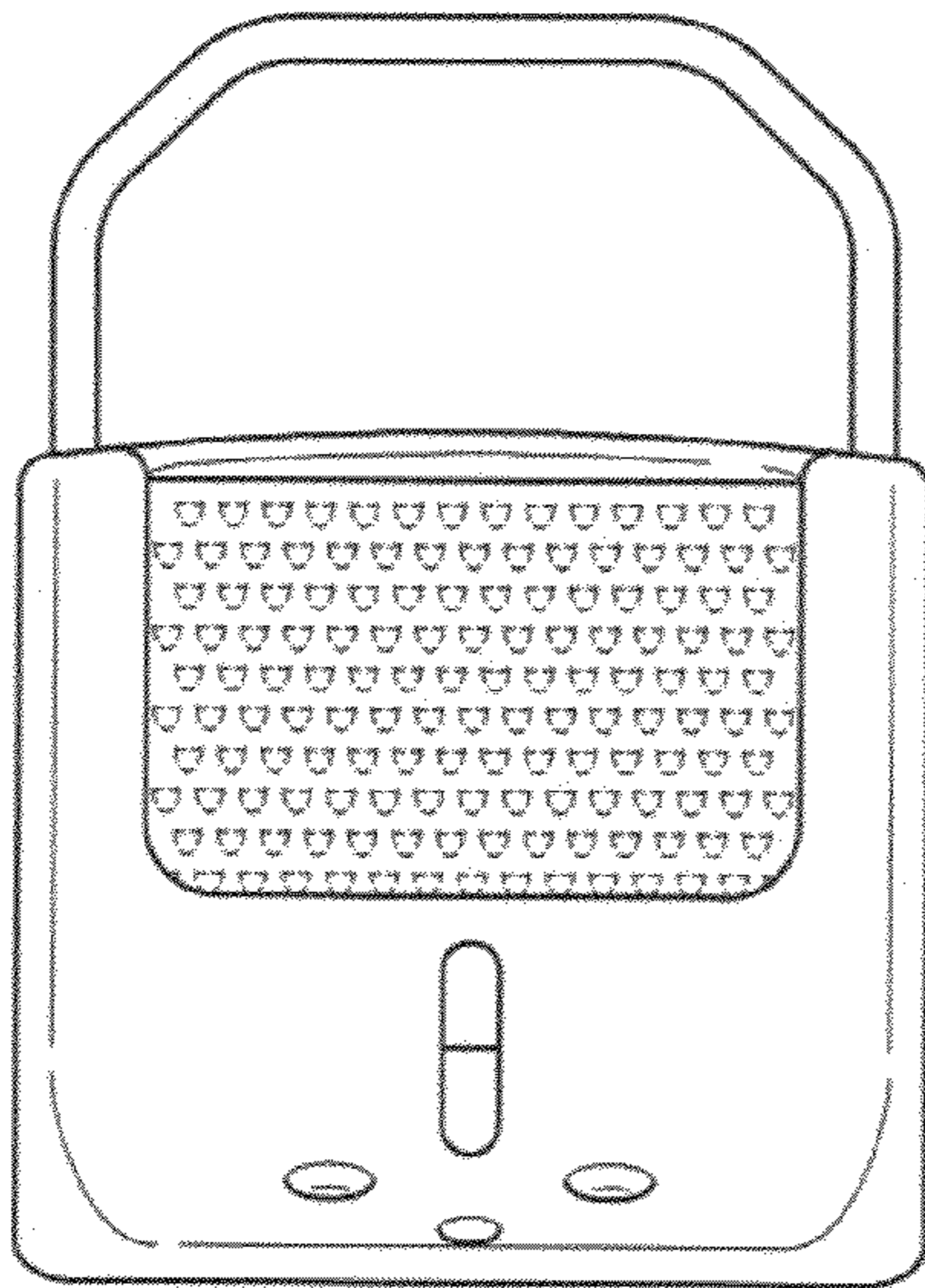


FIG. 6

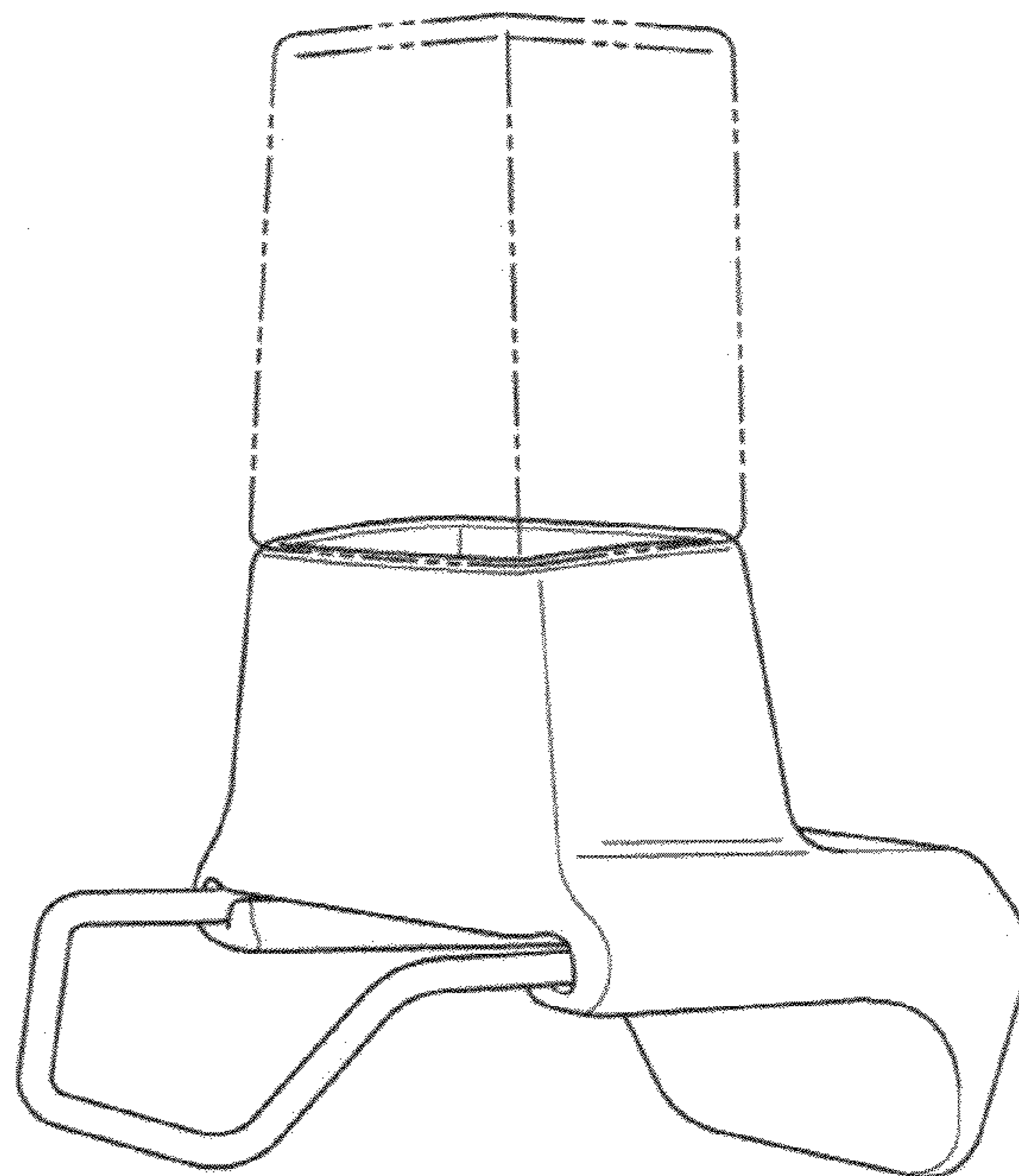


FIG. 7

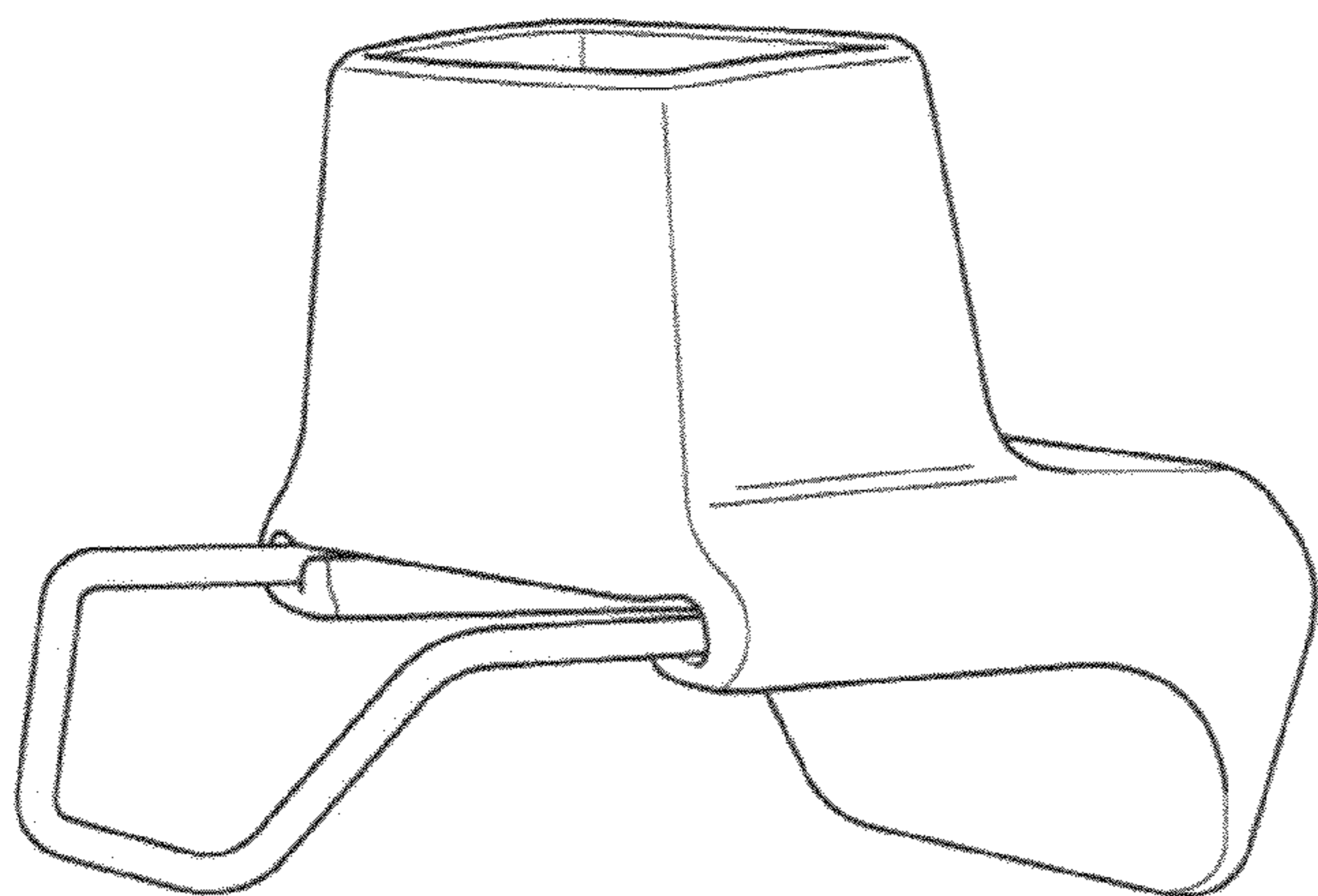


FIG. 8

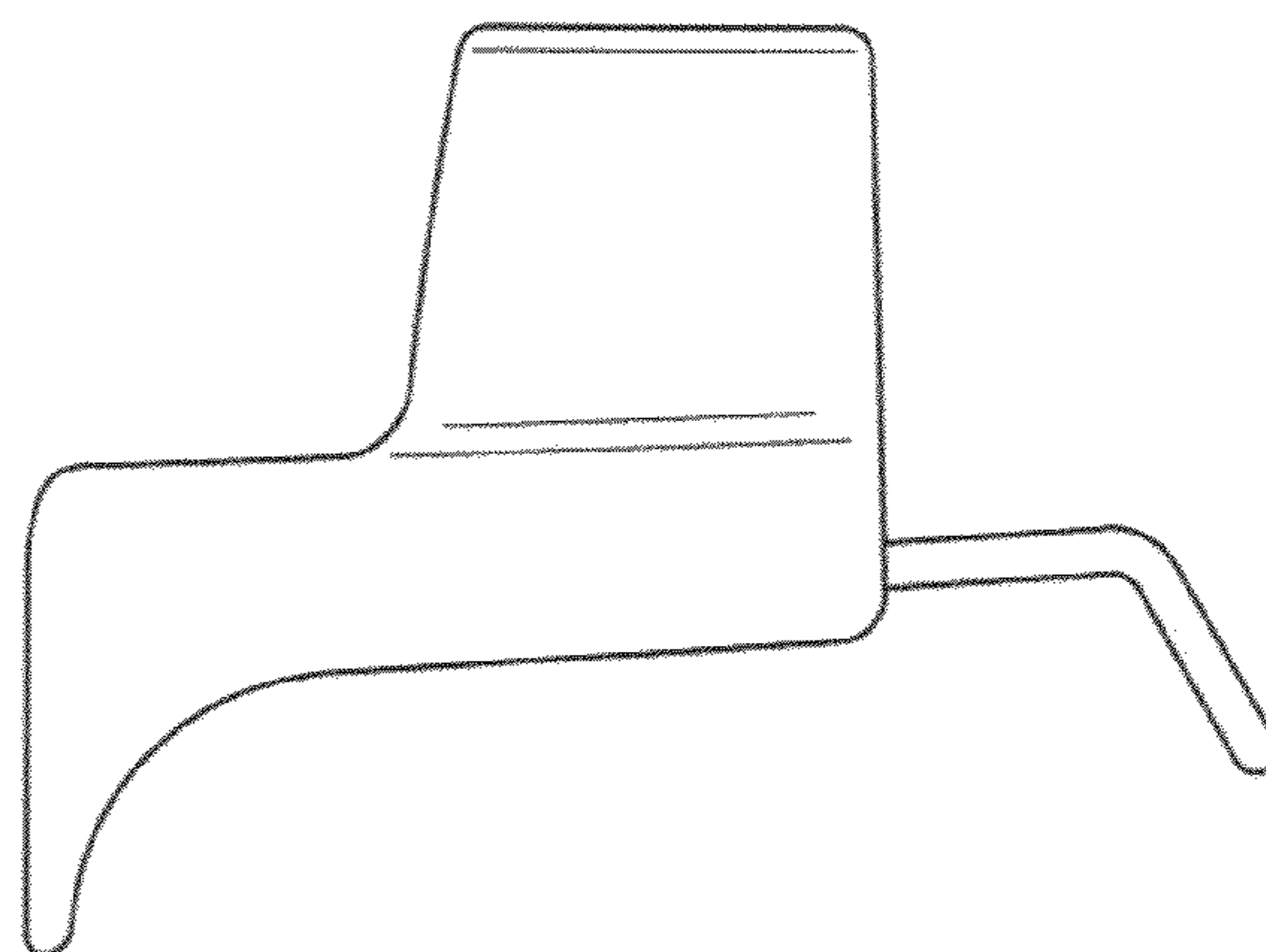


FIG. 9

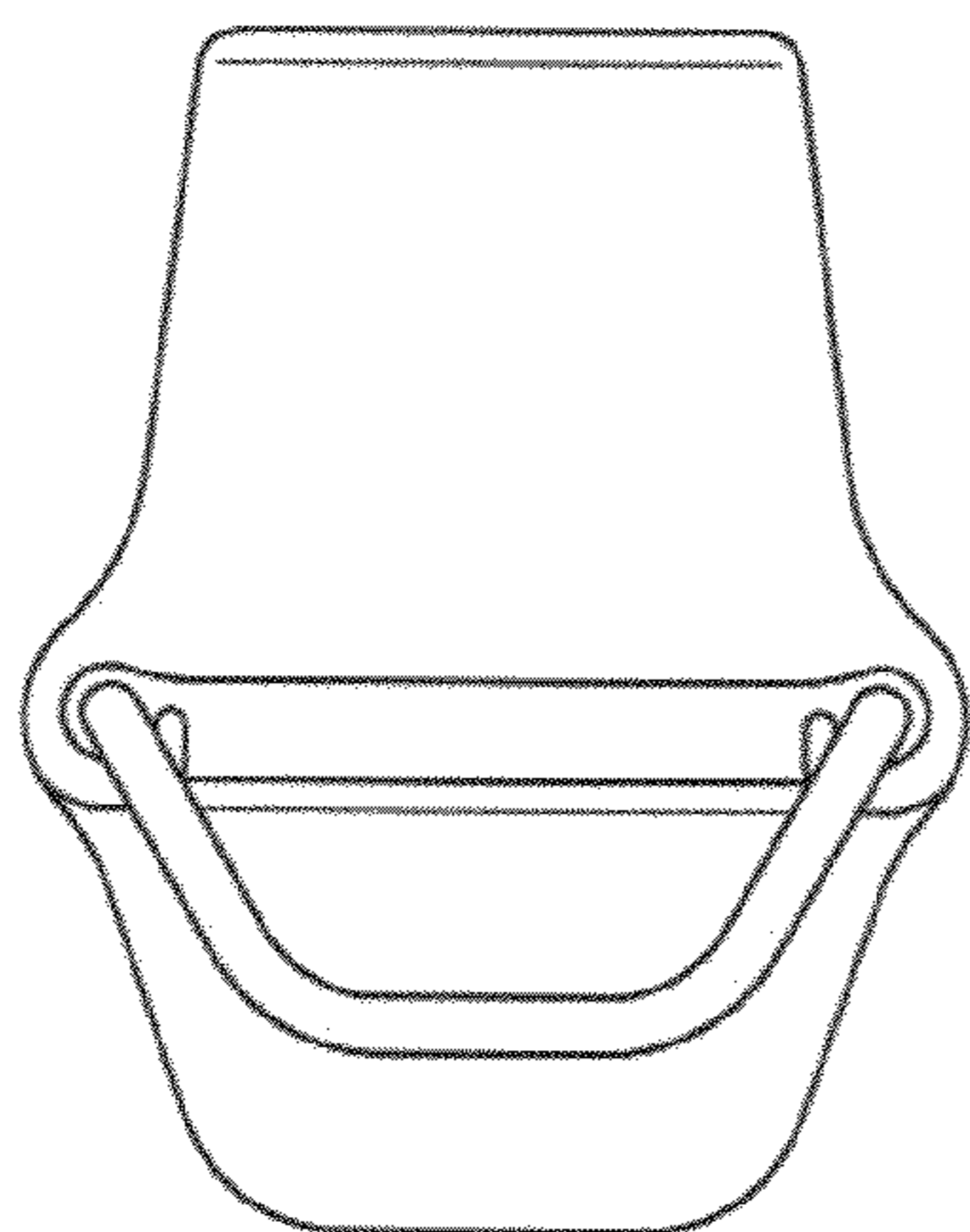


FIG. 10

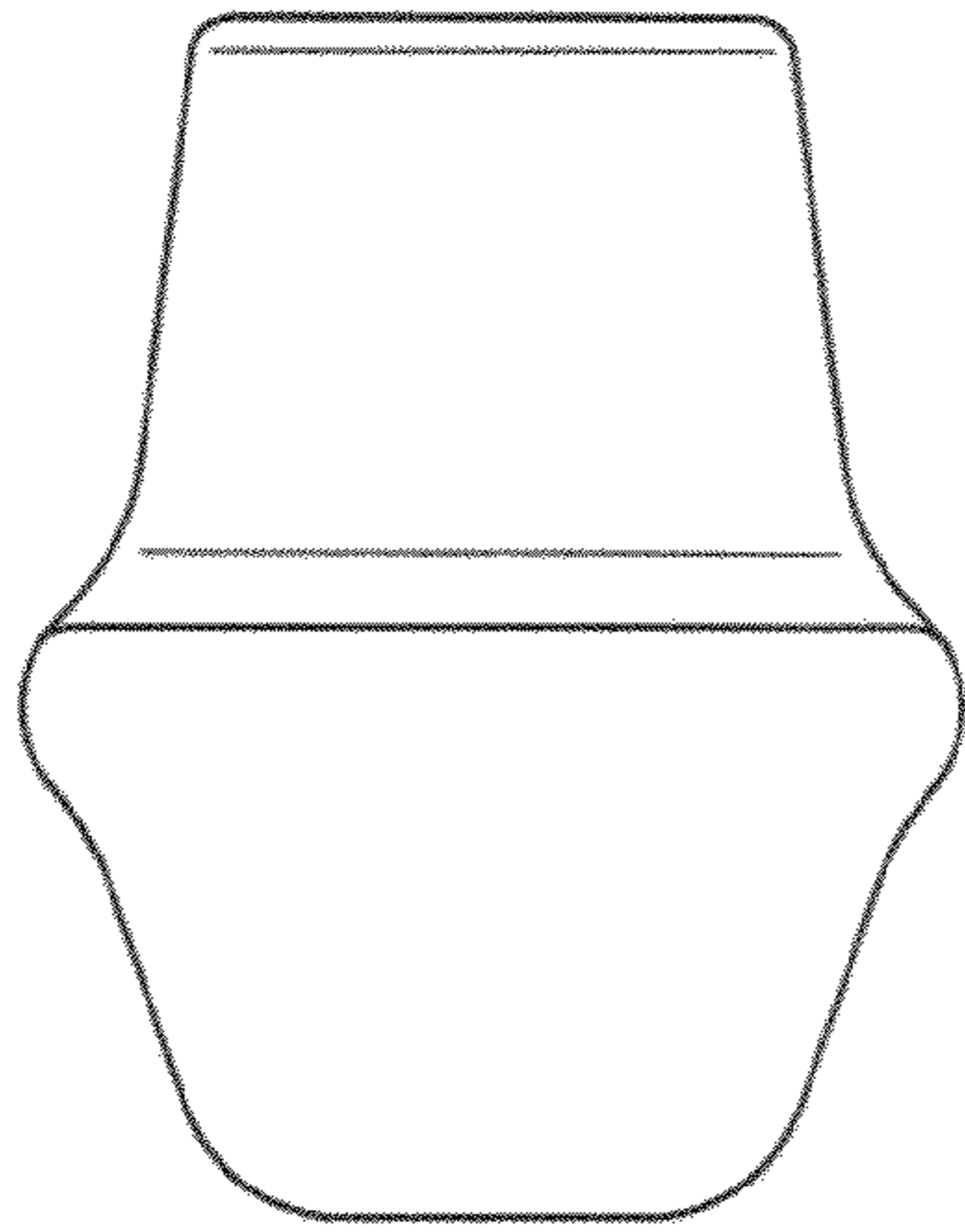


FIG. 11

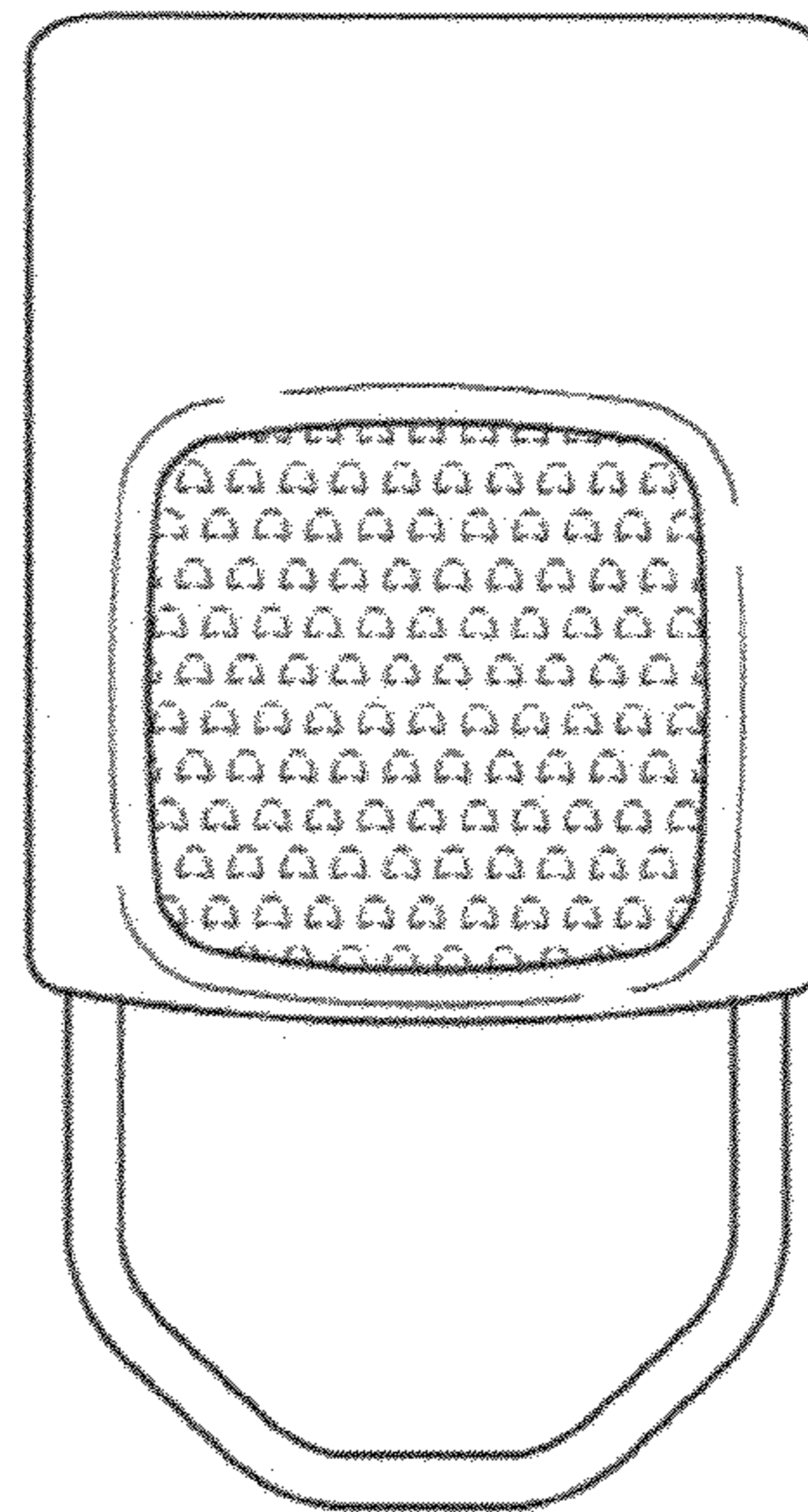


FIG. 12

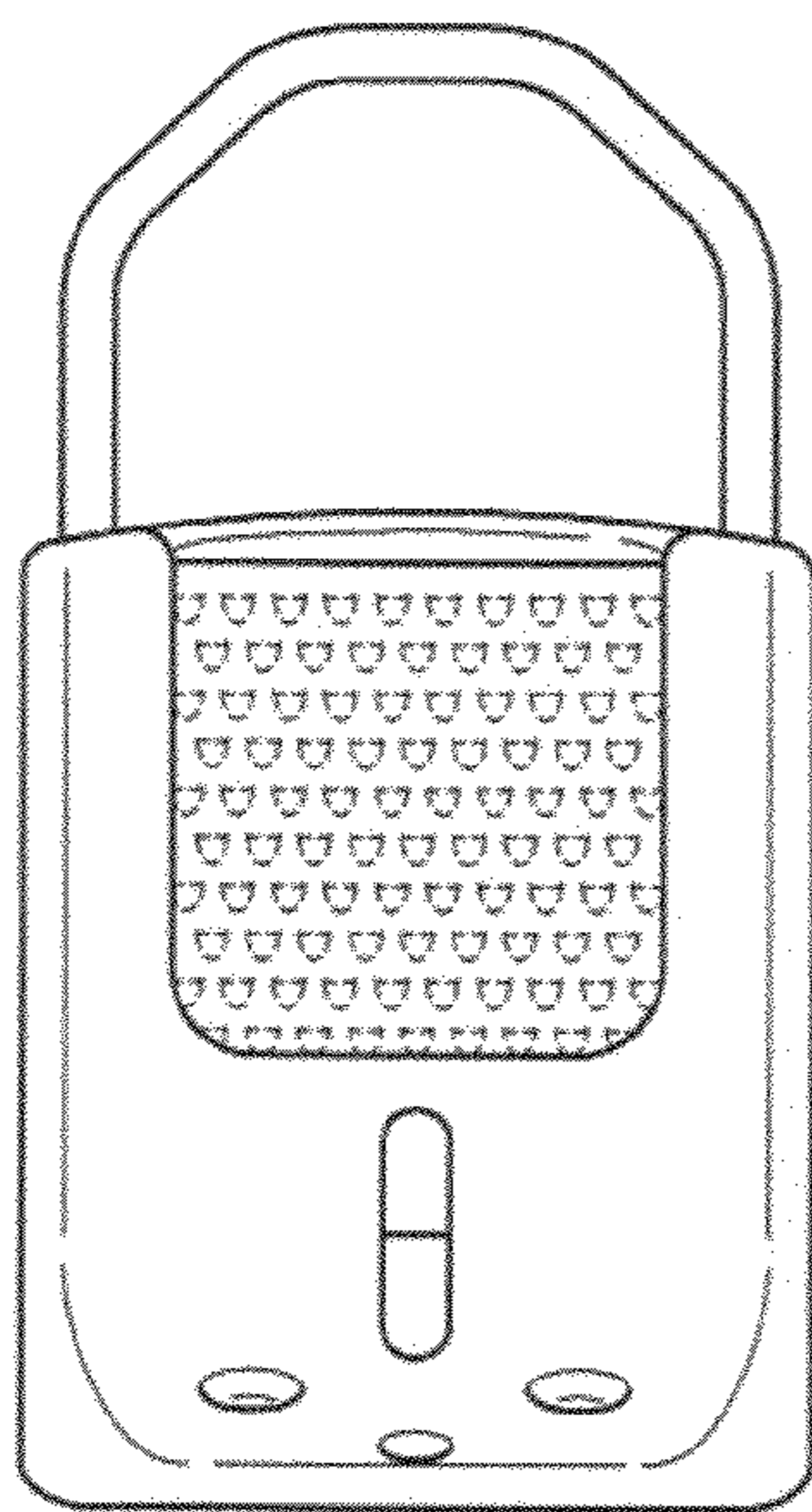


FIG. 13

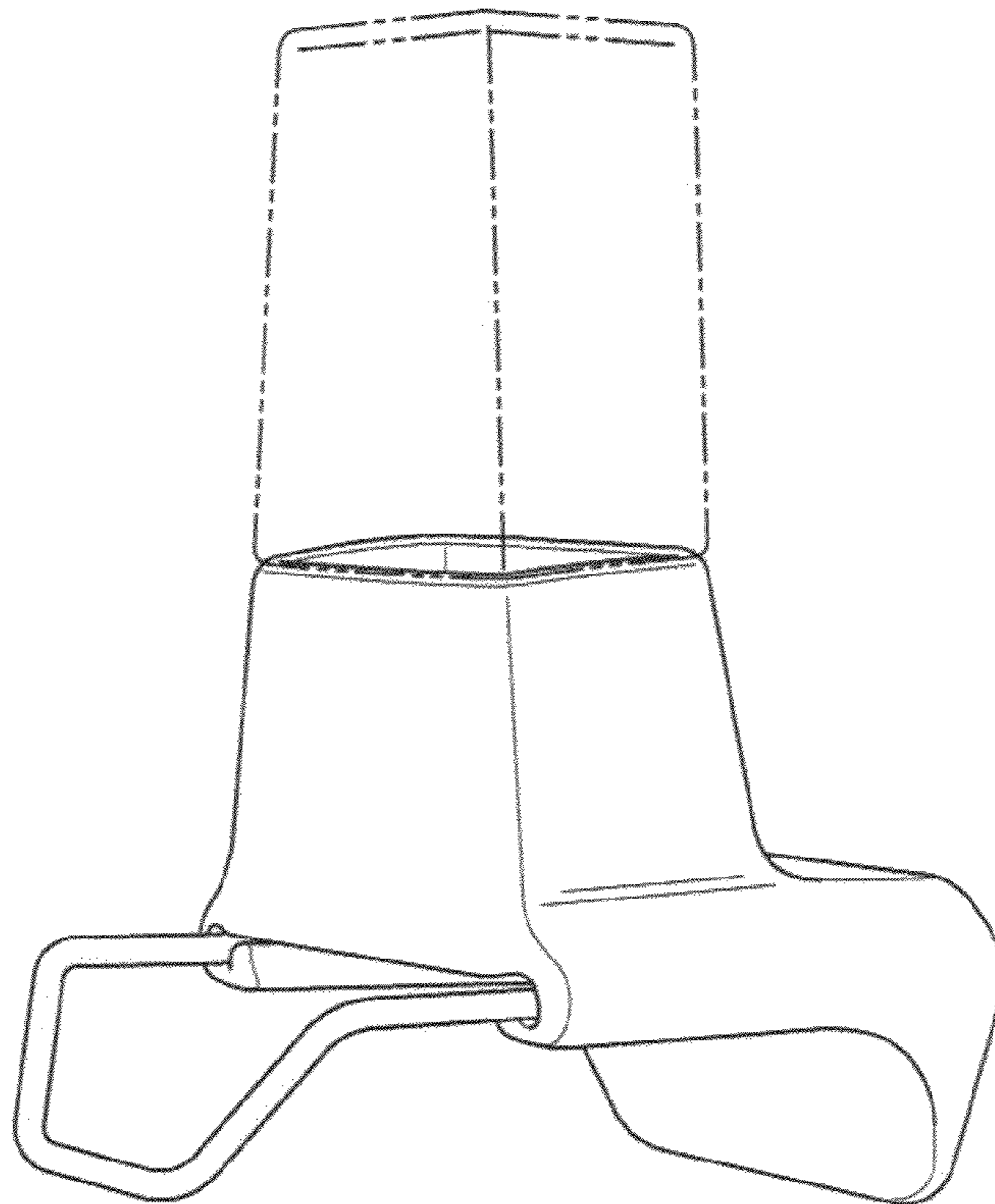


FIG. 14