

US00D661933S

(12) **United States Design Patent**
DelGigante et al.

(10) **Patent No.:** **US D661,933 S**
(45) **Date of Patent:** **** Jun. 19, 2012**

(54) **DISPENSER REFILL**

(75) Inventors: **Jesse DelGigante**, Essex Falls, NJ (US);
Christopher Leonard Padain,
Hoboken, NJ (US); **Richard Brian**
Clough, Stourbridge (GB); **Peter Kay**,
Rugby (GB); **Clive John**
Southernwood, Nr Banbury (GB);
Stephanie Anne Marije Verschoor,
Middlesex (GB)

(73) Assignee: **Reckitt Benckiser LLC**, Parsippany, NJ
(US)

(**) Term: **14 Years**

(21) Appl. No.: **29/385,528**

(22) Filed: **Feb. 15, 2011**

(30) **Foreign Application Priority Data**

Aug. 17, 2010 (EM) 001744541-0005

(51) **LOC (9) Cl.** **23-02**

(52) **U.S. Cl.** **D6/542**

(58) **Field of Classification Search** D6/542-545;
D9/682, 688, 690, 69, 291, 448; 222/14,
222/173, 146.3, 628, 251, 181.1, 181.3; 221/282
See application file for complete search history.

(56) **References Cited**

U.S. PATENT DOCUMENTS

D353,325	S	*	12/1994	Chura et al.	D9/695
D427,073	S	*	6/2000	Gaffney et al.	D9/520
D542,661	S	*	5/2007	Adler et al.	D9/521
D543,752	S	*	6/2007	Jones, Sr.	D6/545
D583,242	S	*	12/2008	Adler et al.	D9/516
D612,741	S	*	3/2010	Mikovsky	D6/542
D622,991	S	*	9/2010	MacDonald et al.	D6/542

* cited by examiner

Primary Examiner — Brian N Vinson

(74) *Attorney, Agent, or Firm* — Norris McLaughlin &
Marcus PA

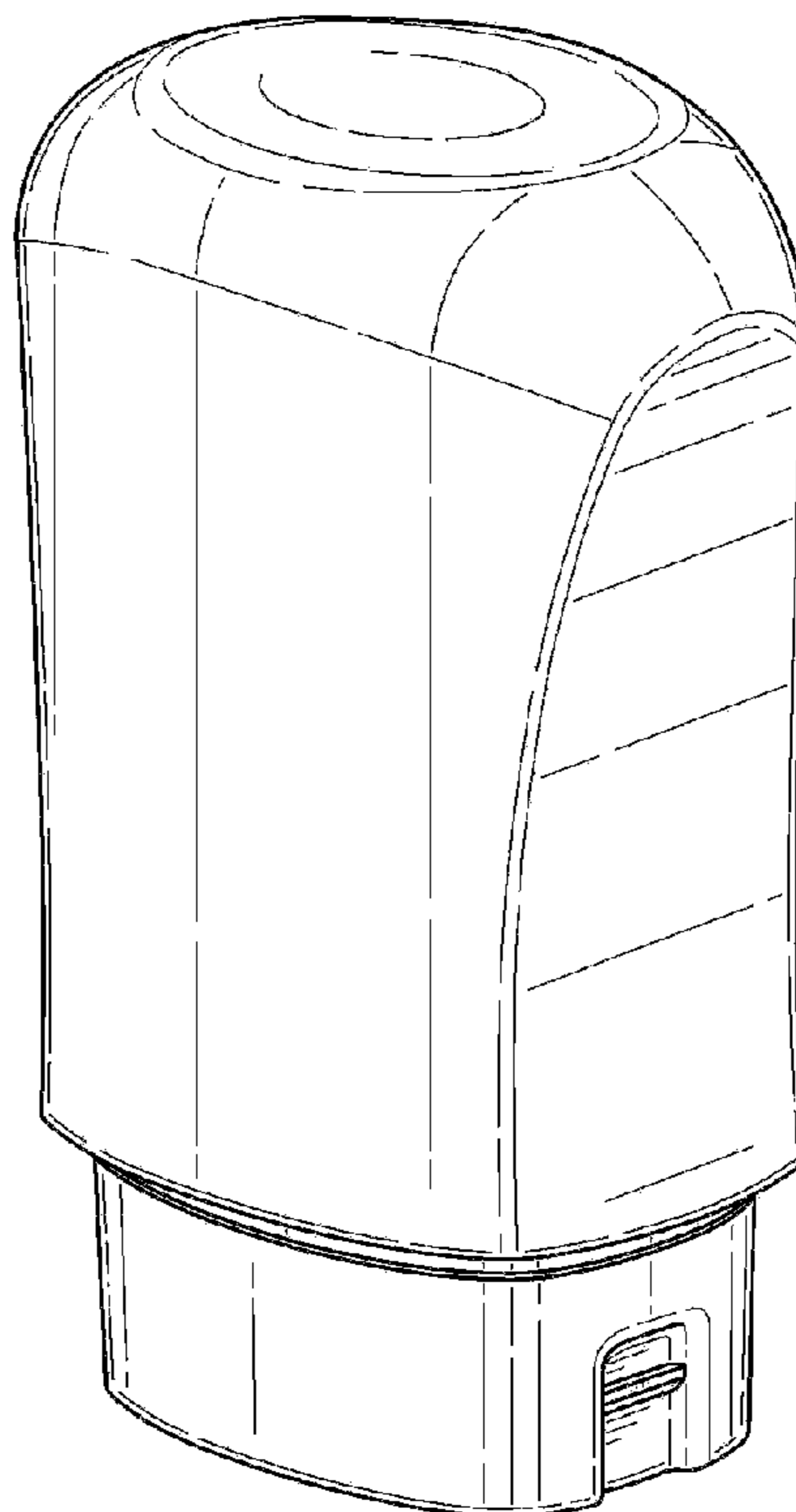
(57) **CLAIM**

The ornamental design for a dispenser refill, as shown and described.

DESCRIPTION

FIG. 1 is a front perspective view of our dispenser refill;
FIG. 2 is a front elevation view thereof;
FIG. 3 is a rear elevation view thereof;
FIG. 4 is a right side elevation view thereof;
FIG. 5 is a left side elevation view thereof;
FIG. 6 is a top plan view thereof; and,
FIG. 7 is a bottom plan view thereof.
The broken lines shown in FIG. 7 are for illustrative purposes only and form no part of the claimed design.

1 Claim, 5 Drawing Sheets



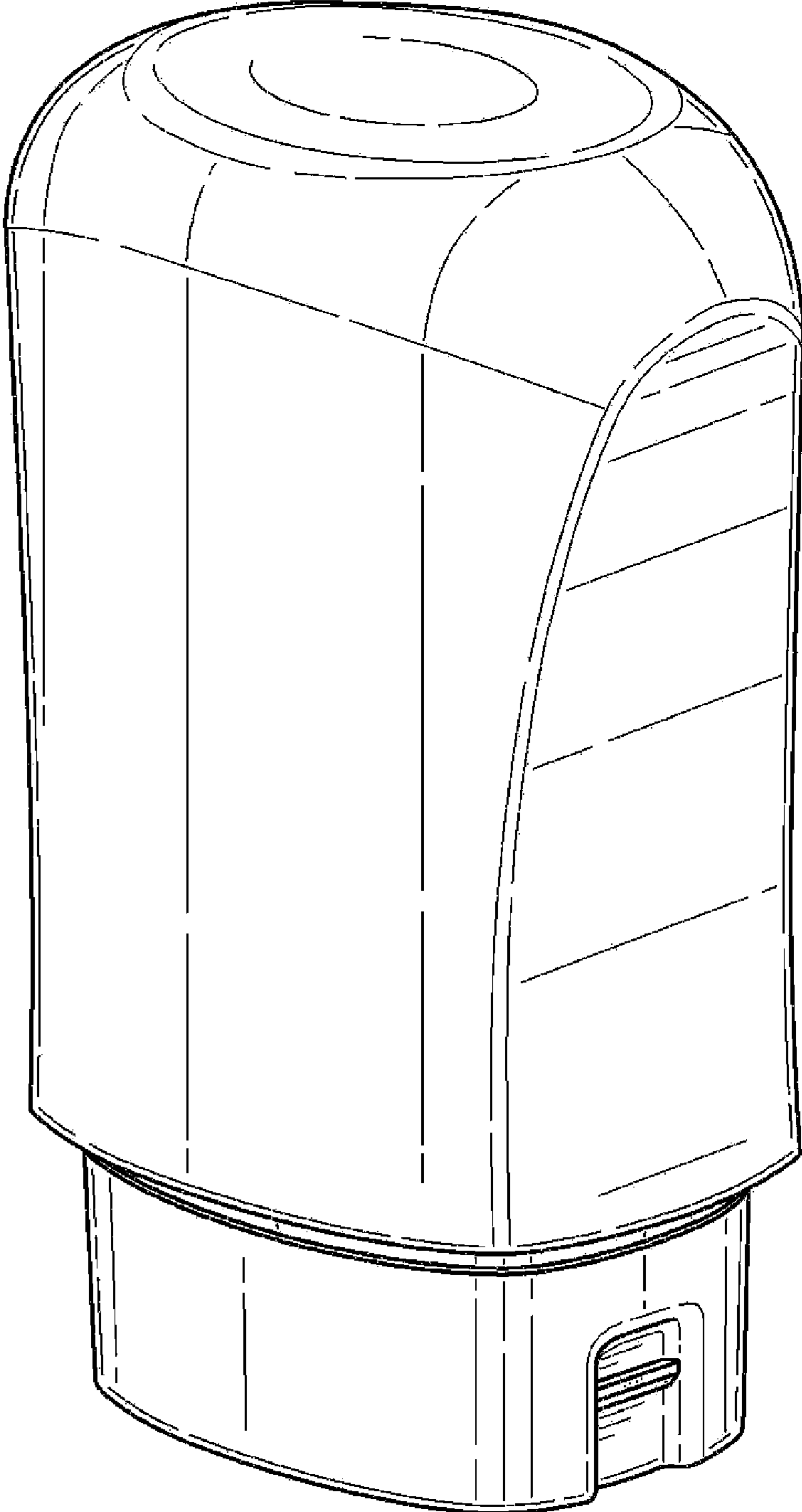


Fig. 1.

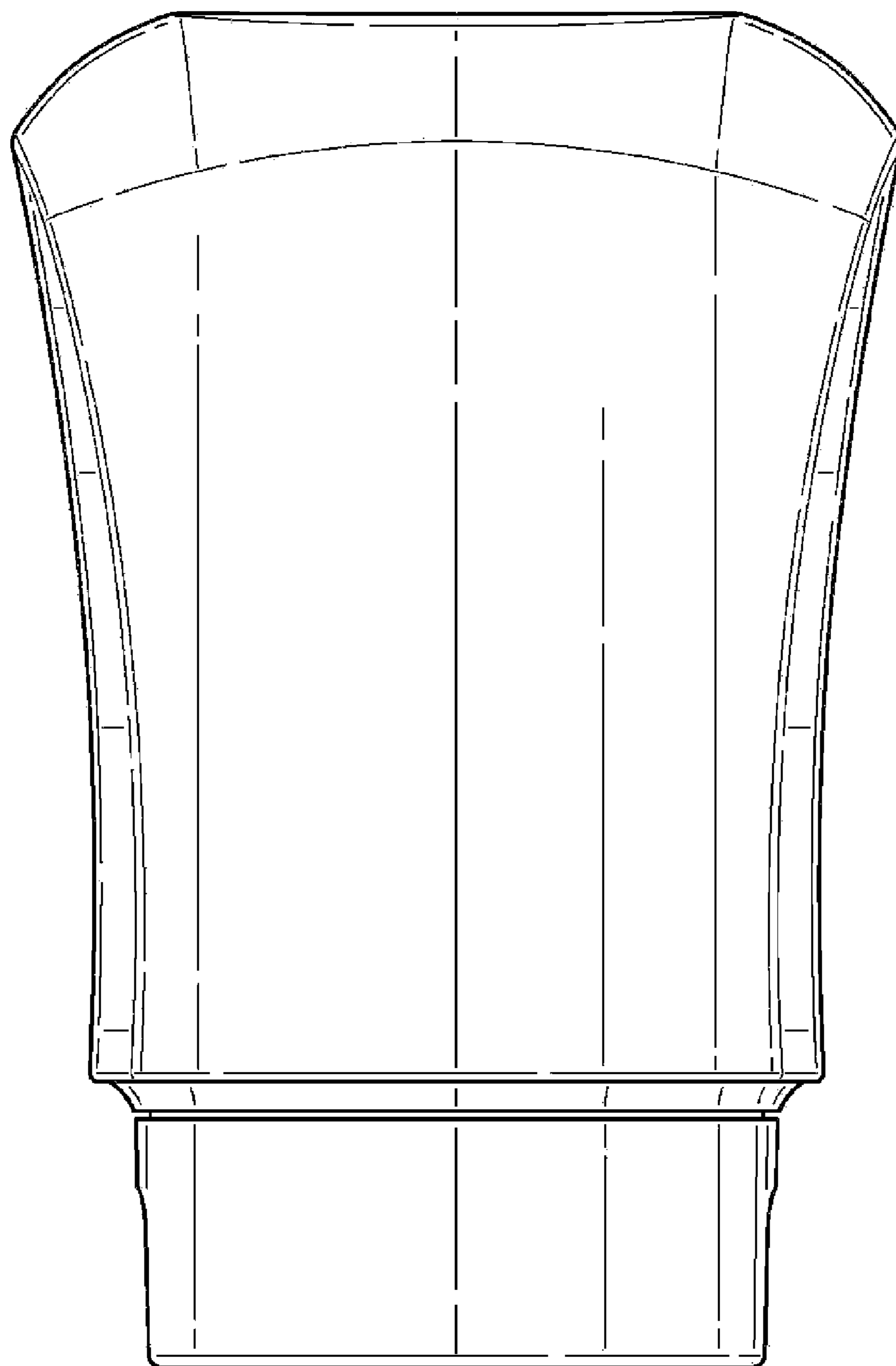


Fig.2.

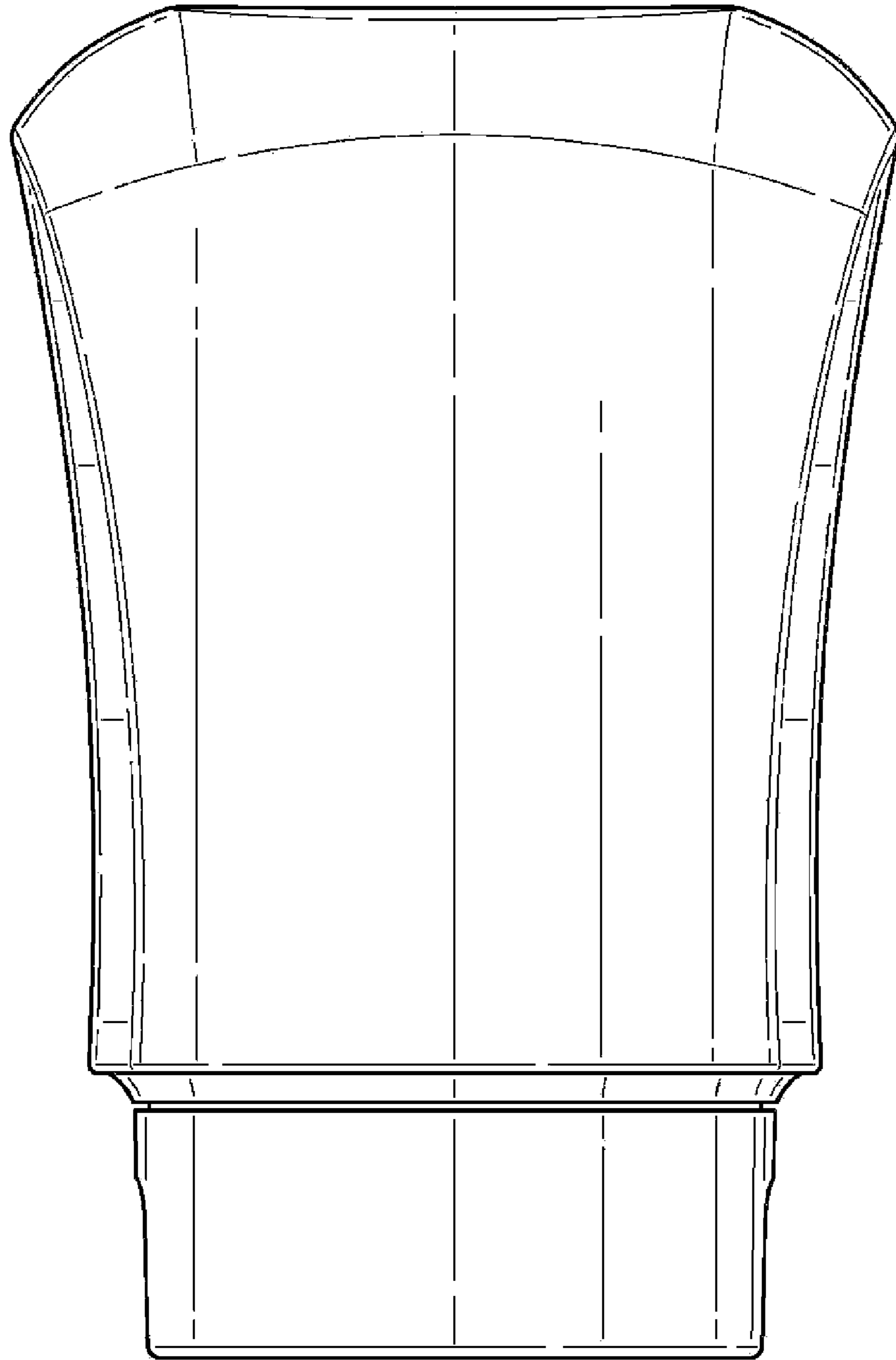


Fig.3.

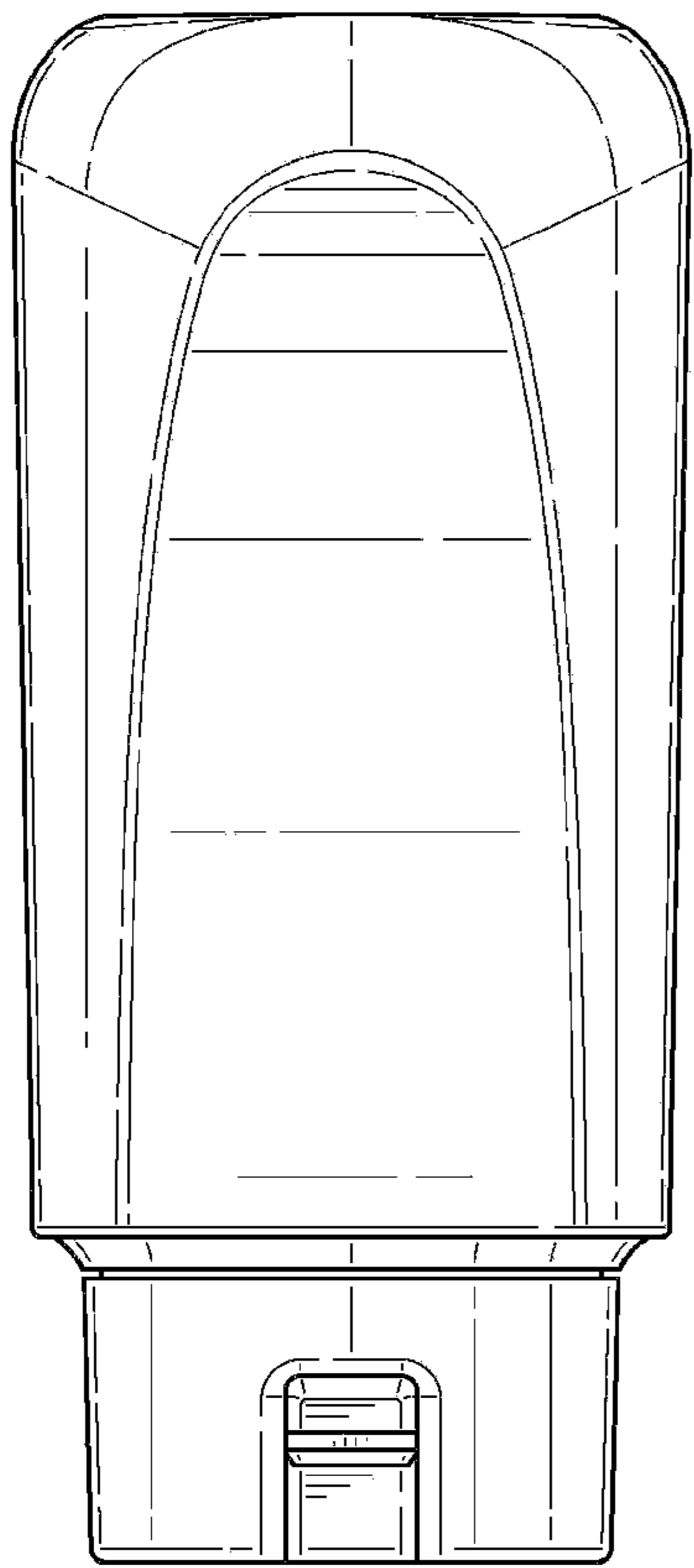


Fig.4.

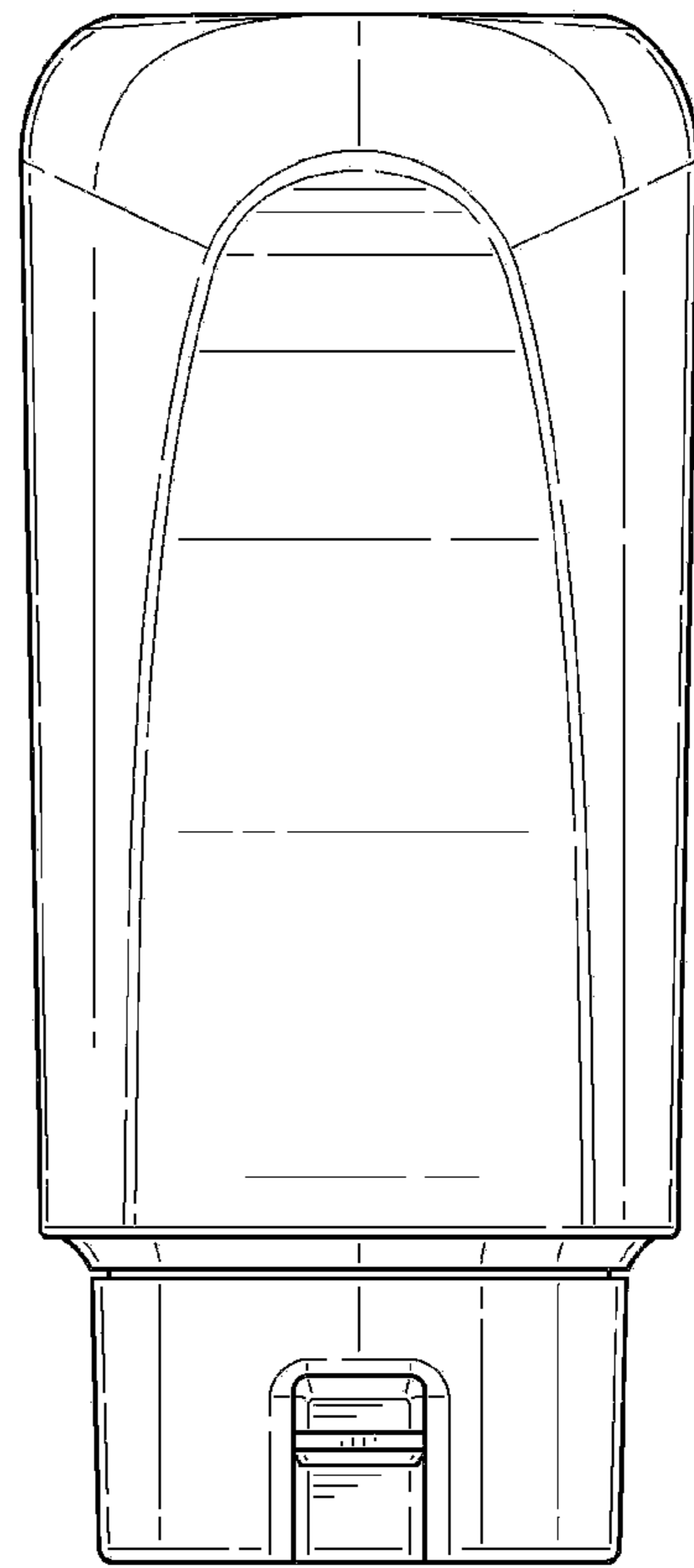


Fig.5.

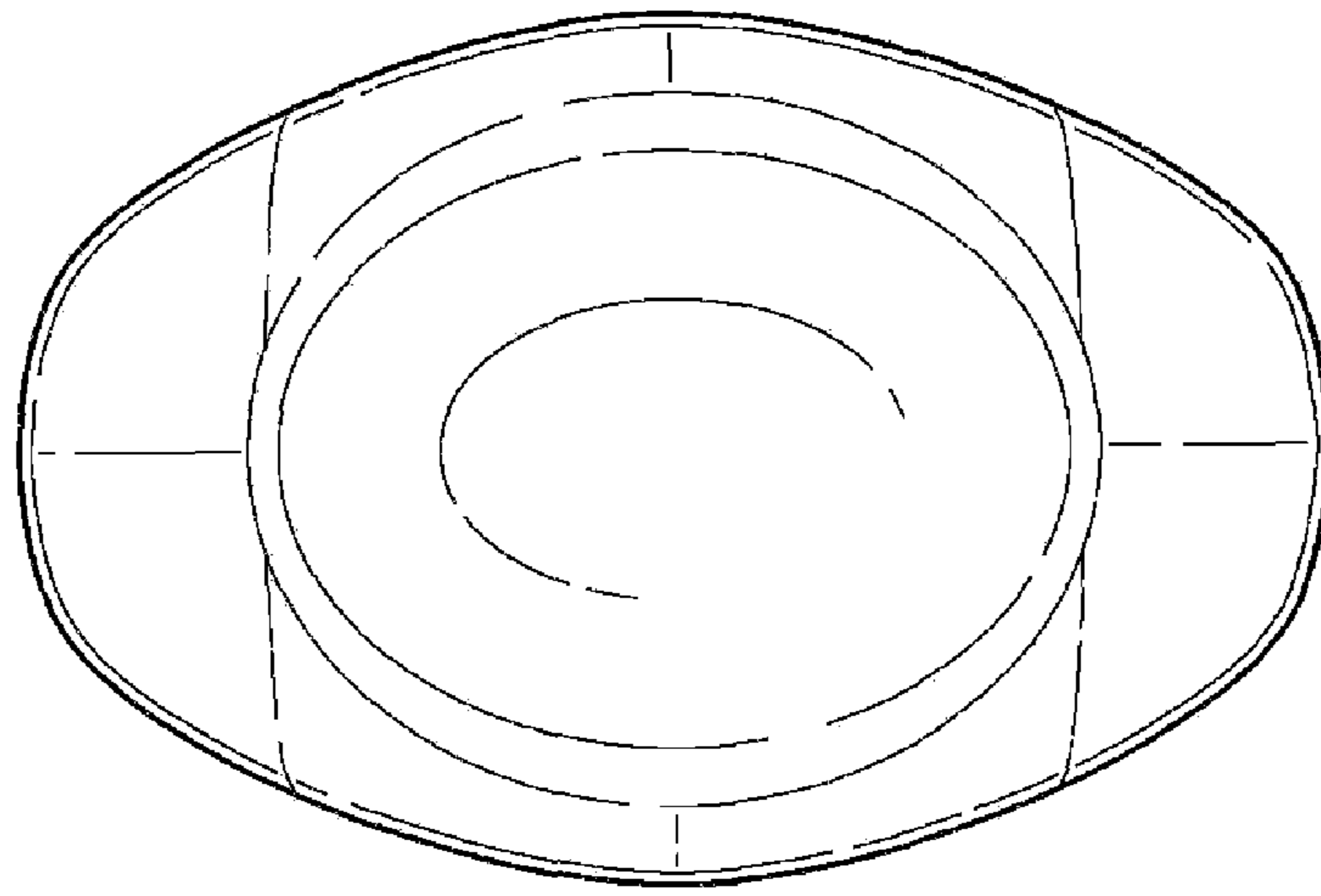


Fig.6.

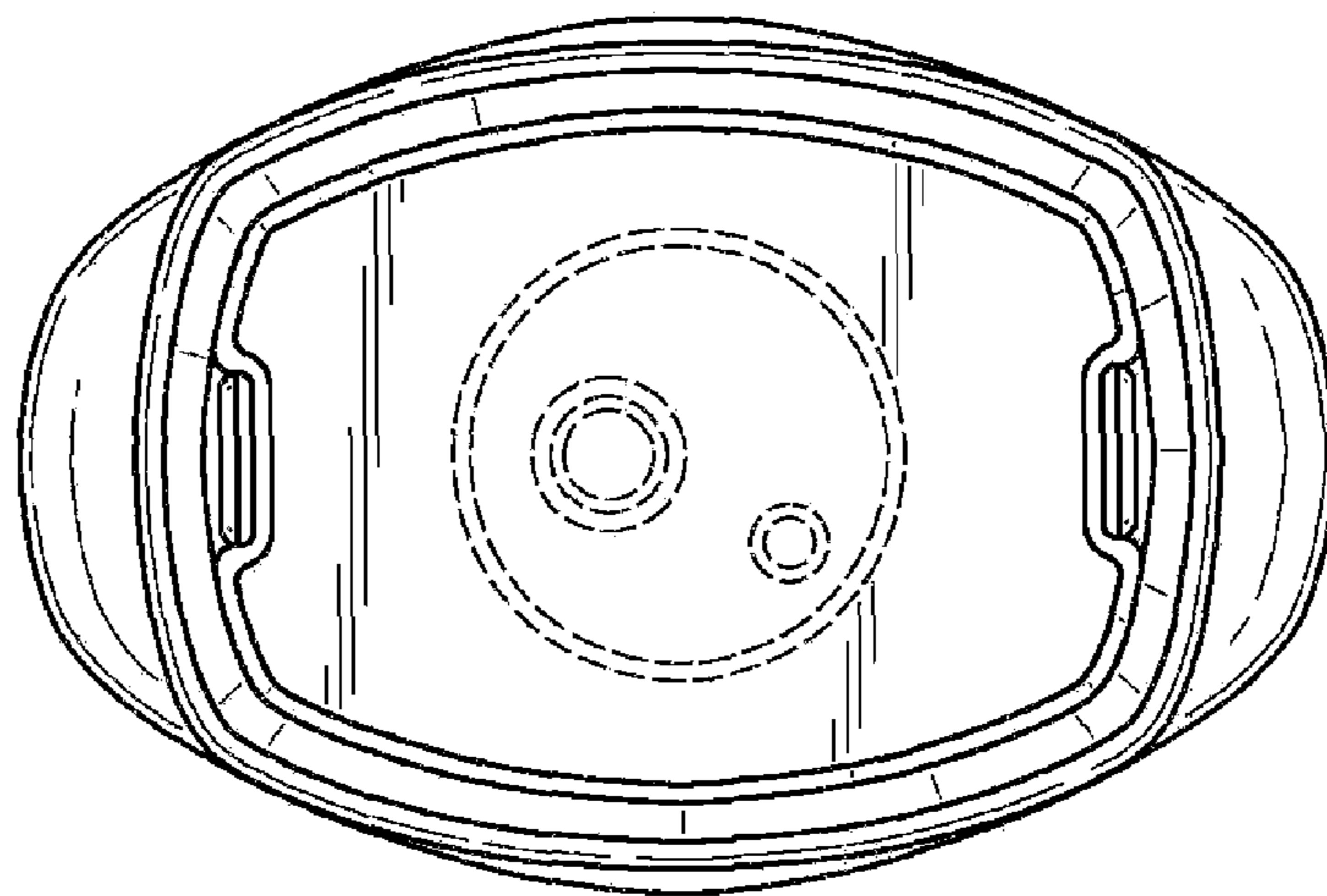


Fig.7.