

US00D661929S

(12) **United States Design Patent**  
**Purcell et al.**

(10) **Patent No.:** **US D661,929 S**  
(45) **Date of Patent:** **\*\* Jun. 19, 2012**

(54) **HYGIENE PRODUCT CADDY**

(75) Inventors: **Ricky Wayne Purcell**, Alpharetta, GA (US); **David Jackson Trettin**, Atlanta, GA (US); **William Lytell Bridwell, III**, Atlanta, GA (US); **Trent Kahute**, Atlanta, GA (US)

(73) Assignee: **Kimberly-Clark Worldwide Inc.**, Neenah, WI (US)

(\*\*) Term: **14 Years**

(21) Appl. No.: **29/399,488**

(22) Filed: **Aug. 15, 2011**

(51) **LOC (9) Cl.** ..... **23-02**

(52) **U.S. Cl.** ..... **D6/525; D3/306**

(58) **Field of Classification Search** ..... D3/201, D3/232-233, 245-246, 304, 306-309, 315; 150/100, 107, 110, 127-128; 224/158, 575; 220/761, 763, 773, 776; D6/524, 462; 211/13.1, 211/69.5, 71.01; 248/302, 309.1, 314  
See application file for complete search history.

(56) **References Cited**

**U.S. PATENT DOCUMENTS**

D202,665	S	*	10/1965	Petrone et al.	.....	D3/309
D341,463	S	*	11/1993	Booth	.....	D3/306
6,745,895	B2		6/2004	Silvers		
6,786,334	B2		9/2004	Smith		
D515,843	S	*	2/2006	Tobas	.....	D6/462
D522,751	S		6/2006	Irwin et al.		
D532,216	S	*	11/2006	Calabria et al.	.....	D6/462
D583,563	S	*	12/2008	Snider	.....	D3/306
7,578,388	B2		8/2009	O'Connell et al.		
7,588,168	B2		9/2009	Bagwell et al.		
7,789,239	B2		9/2010	Juliano		
D628,385	S		12/2010	Klein et al.		
D632,081	S		2/2011	Klein et al.		

D649,352	S	*	11/2011	Cittadino et al.	.....	D3/306
2005/0241985	A1		11/2005	Mosbacher et al.		
2005/0242257	A1		11/2005	Mosbacher et al.		
2007/0100692	A1		5/2007	Minifie et al.		
2007/0257041	A1		11/2007	Bramlage		
2009/0301912	A1		12/2009	Cornell		
2009/0301927	A1		12/2009	Fvlbrook et al.		
2010/0187251	A1		7/2010	Simmons		

**OTHER PUBLICATIONS**

Co-pending U.S. Appl. No. 29/399,503, filed Aug. 15, 2011, by Purcell for "Hygiene Product Caddy."

Co-pending U.S. Appl. No. 29/399,531, filed Aug. 15, 2011, by Purcell for "Hygiene Product Caddy."

\* cited by examiner

*Primary Examiner* — Brian N Vinson

(74) *Attorney, Agent, or Firm* — Nancy M. Klembus; Ralph H. Dean

(57) **CLAIM**

We claim the ornamental design for hygiene product caddy, as shown and described.

**DESCRIPTION**

FIG. 1 is a top, front, and side perspective view of the hygiene product caddy, showing our design.

FIG. 2 is a bottom, rear, and side perspective view of the hygiene product caddy.

FIG. 3 is a front elevational view of the hygiene product caddy.

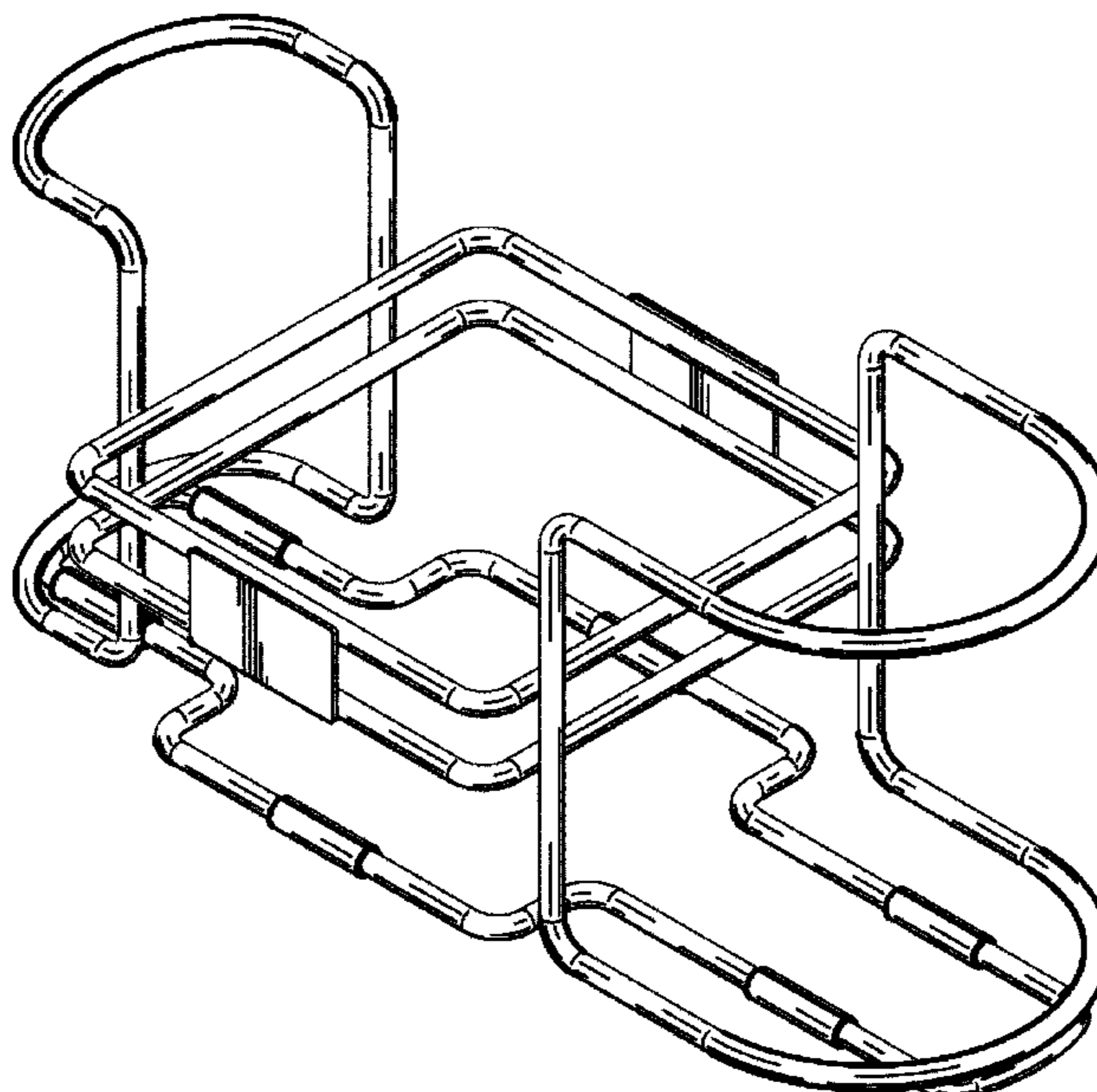
FIG. 4 is a right-side elevational view of the hygiene product caddy.

FIG. 5 is a rear elevational view of the hygiene product caddy.

FIG. 6 is a left-side elevational view of the hygiene product caddy.

FIG. 7 is a top plan view of the hygiene product caddy; and, FIG. 8 is a bottom plan view of the hygiene product caddy.

**1 Claim, 7 Drawing Sheets**



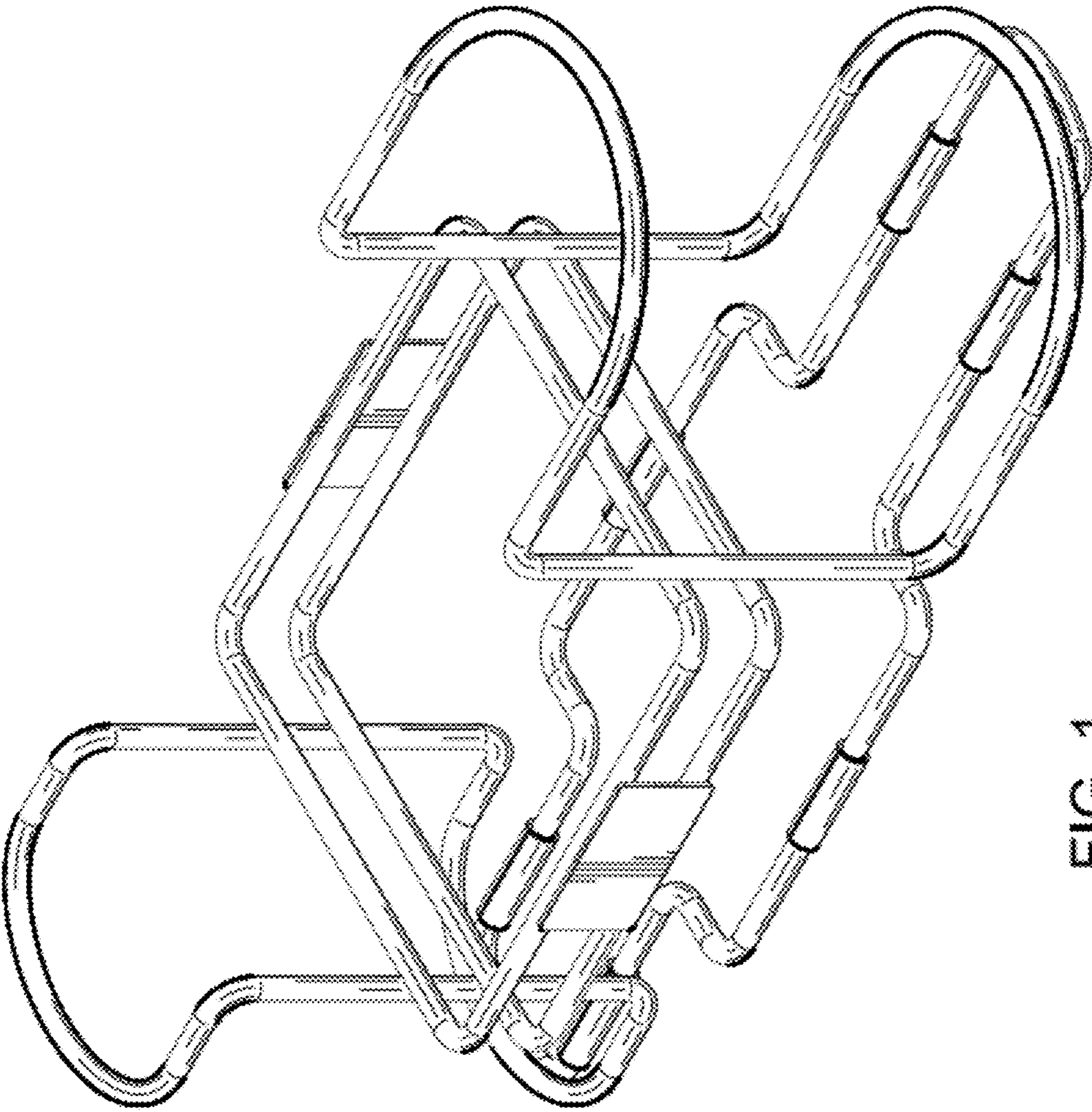


FIG. 1



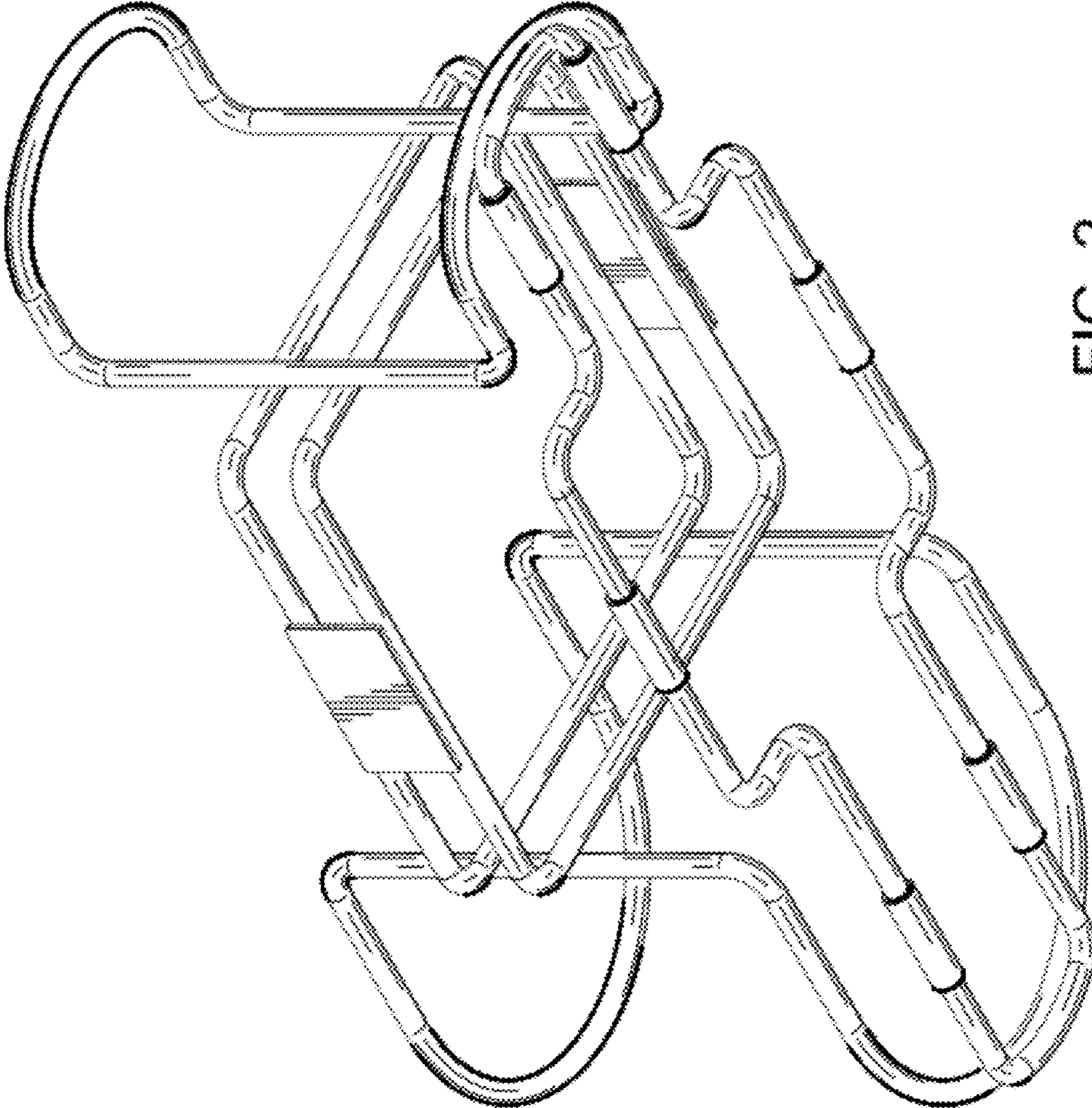


FIG. 2

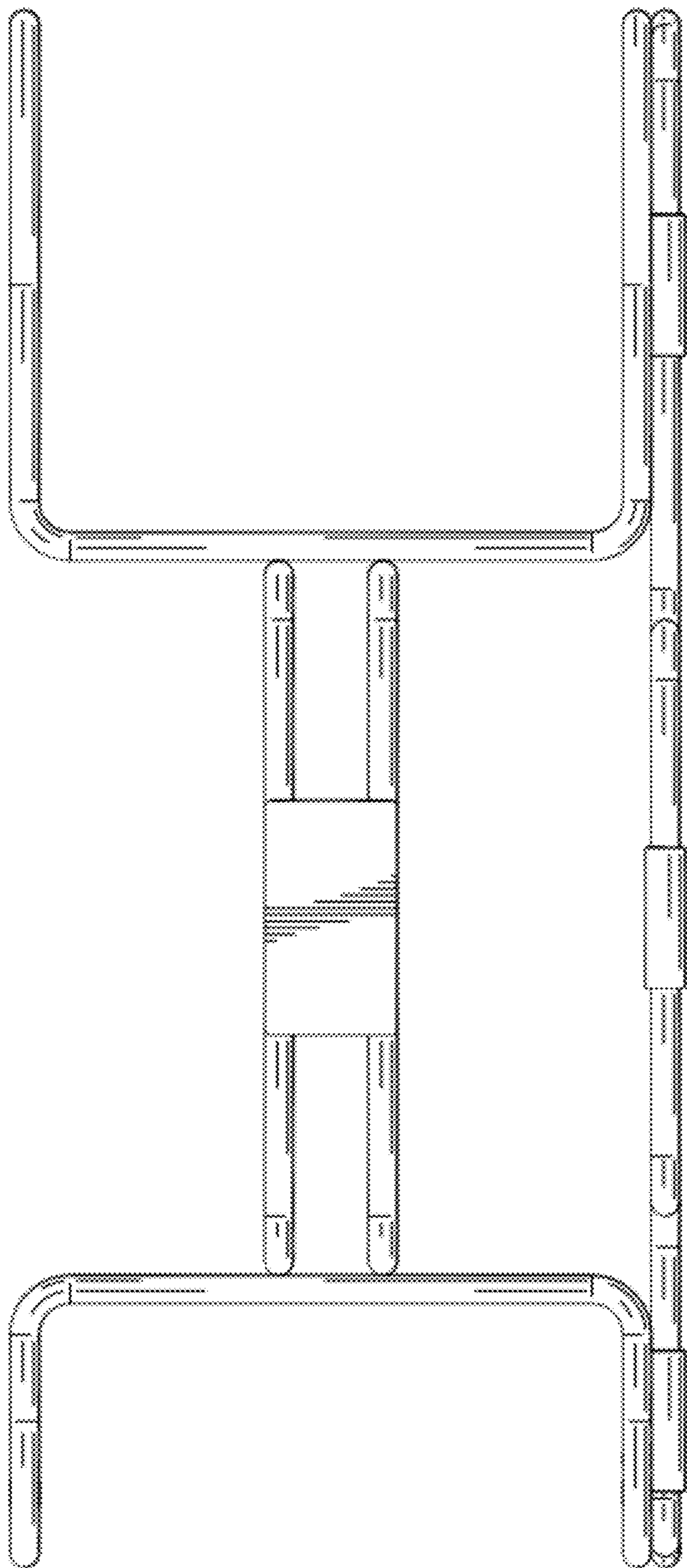


FIG. 3

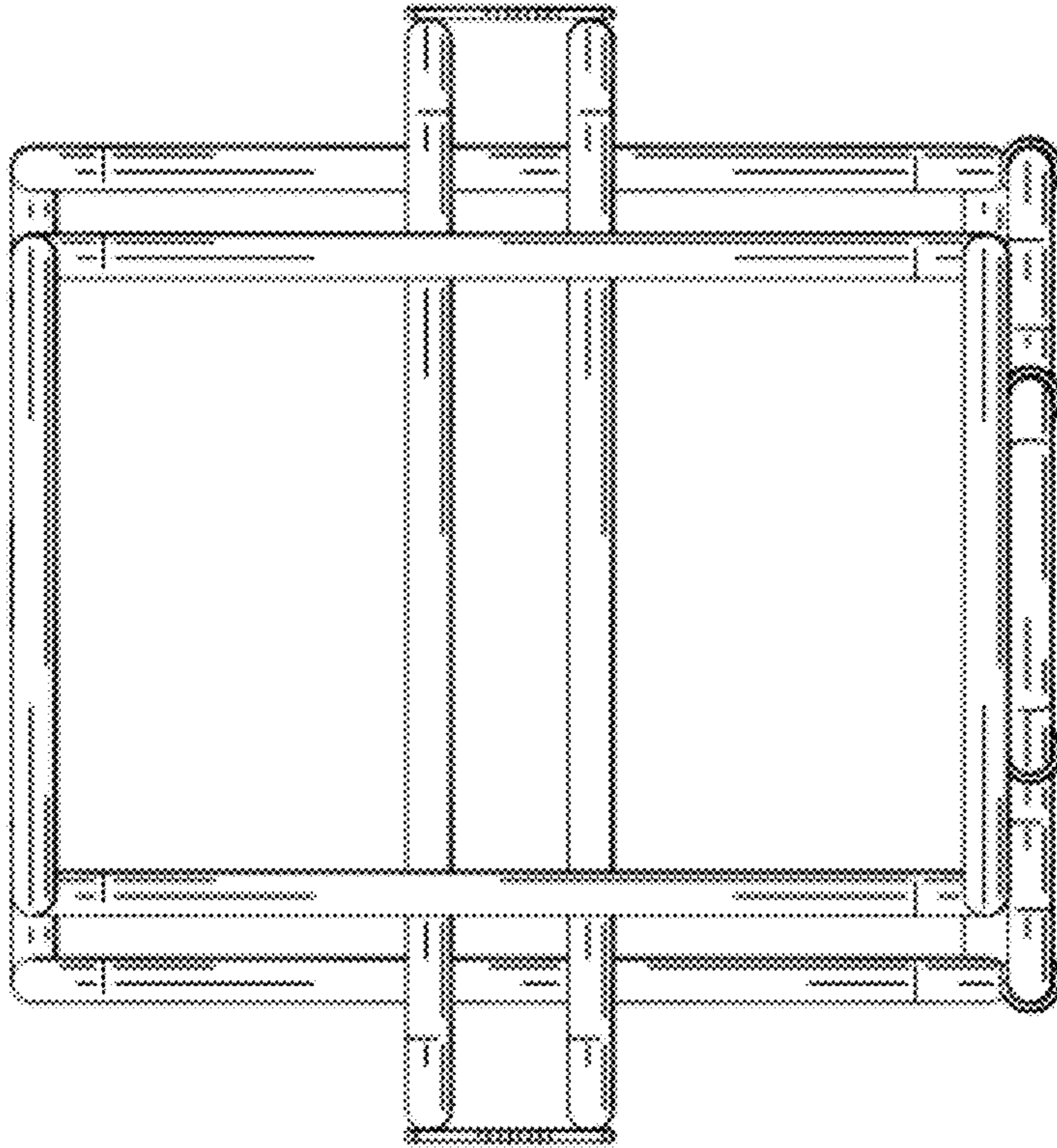


FIG. 6

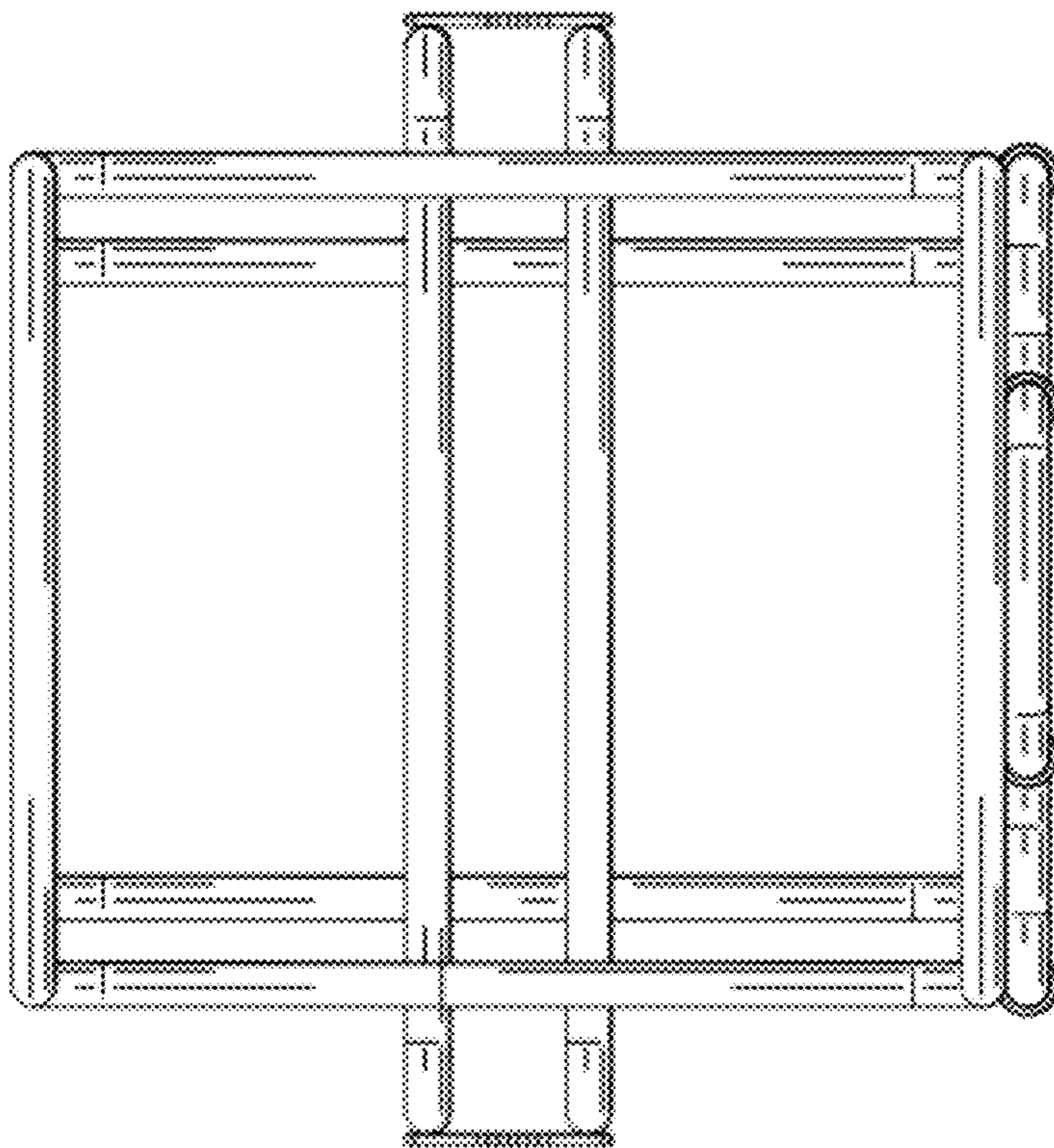


FIG. 4



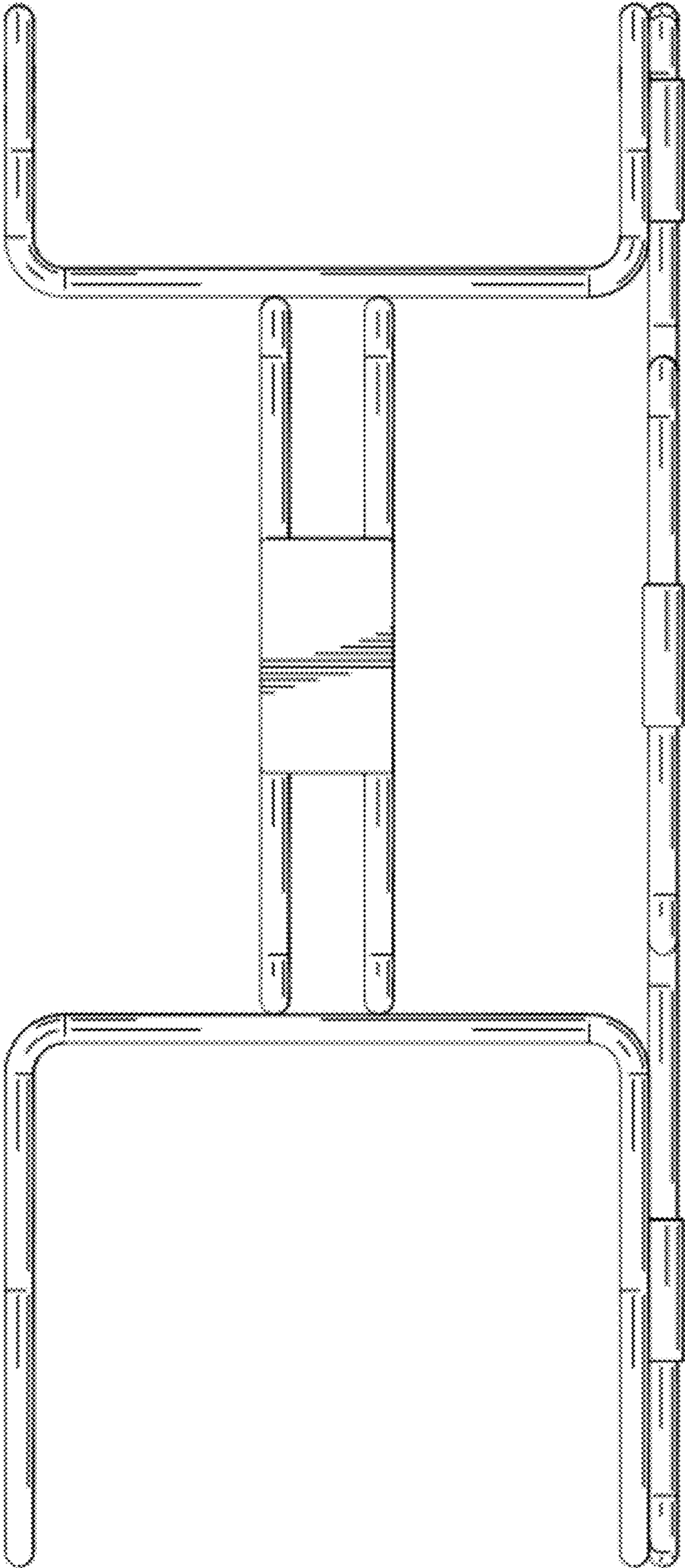


FIG. 5

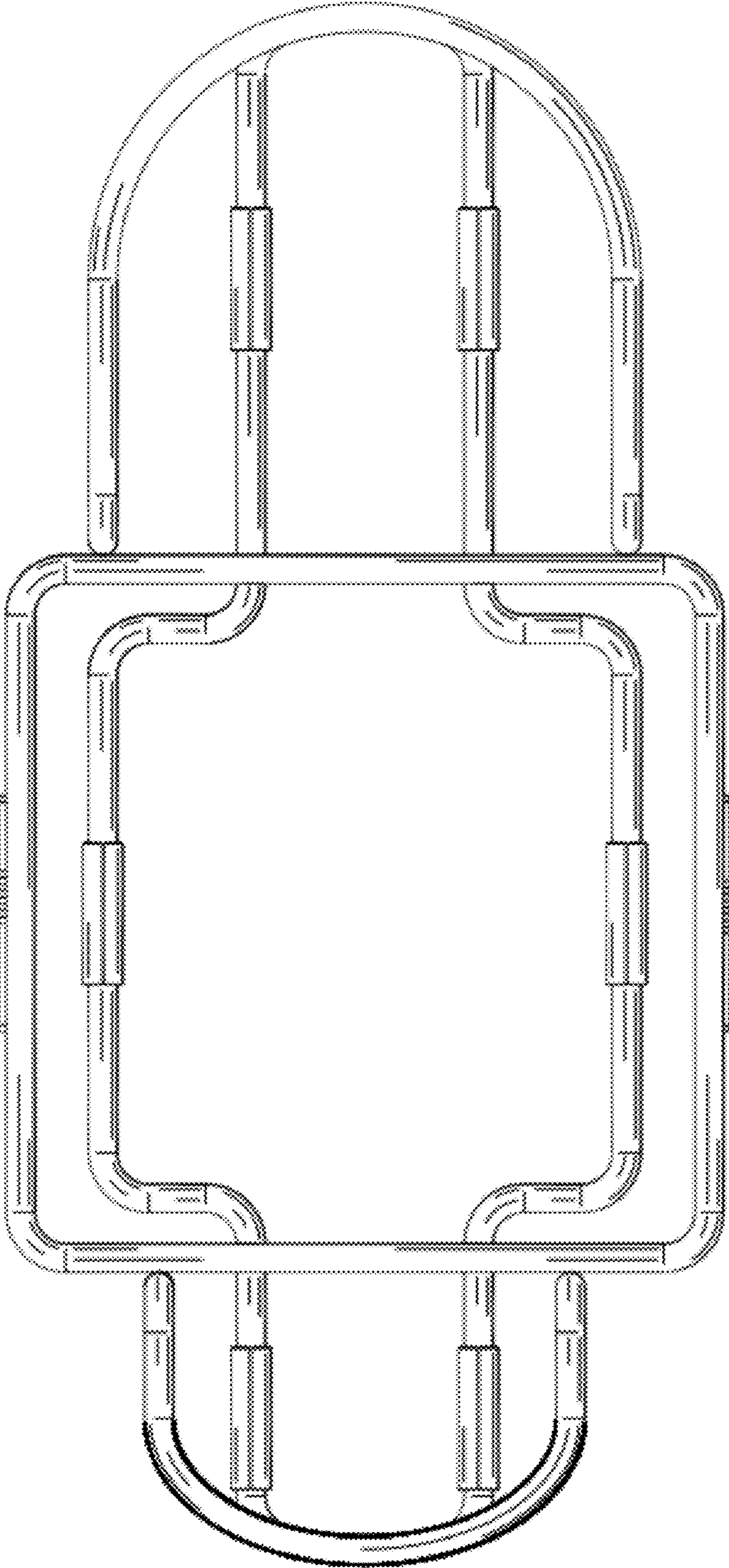


FIG. 7

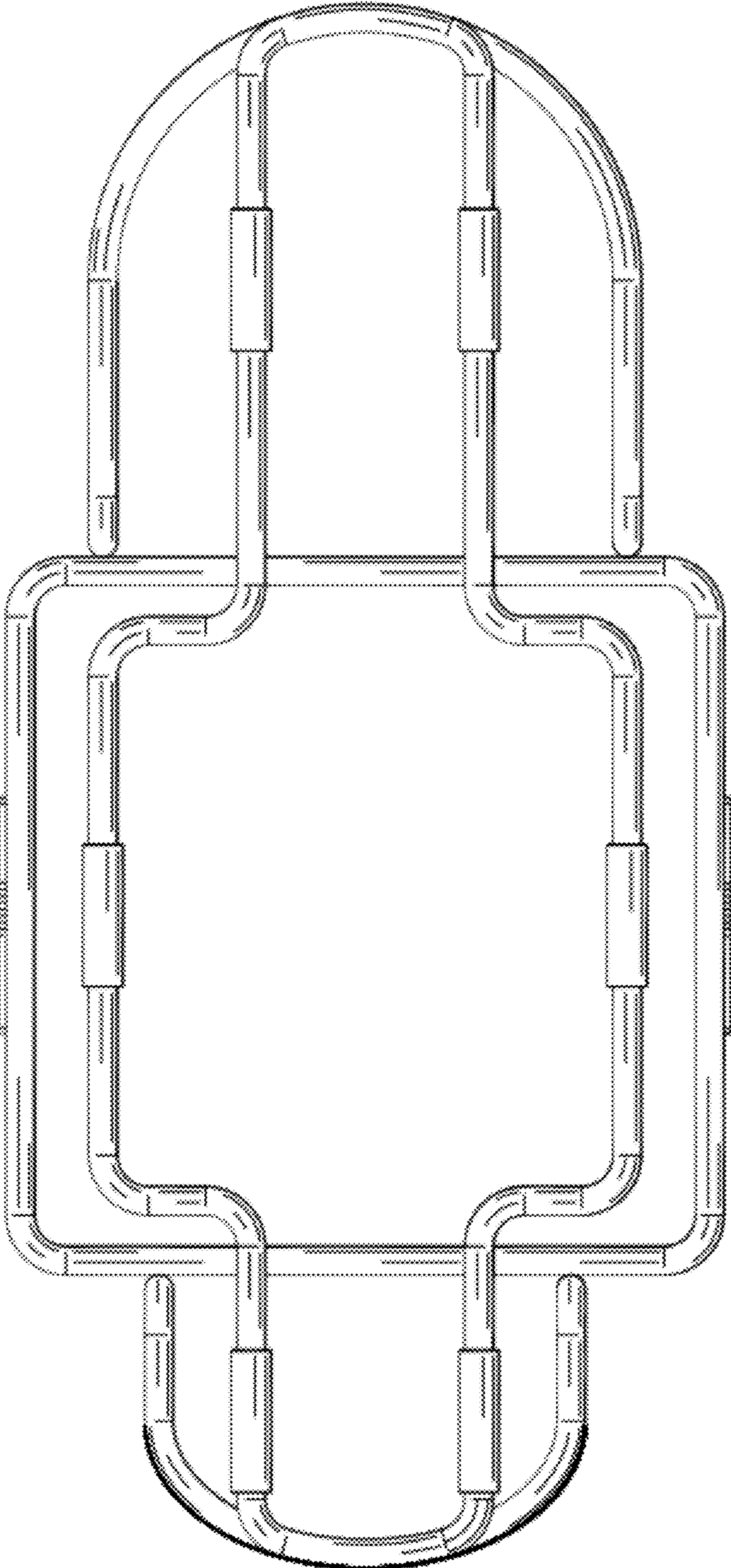


FIG. 8