



US00D661927S

(12) **United States Design Patent**
Cittadino et al.

(10) **Patent No.:** **US D661,927 S**
(45) **Date of Patent:** **** Jun. 19, 2012**

(54) **SHOWER CADDY**
(75) Inventors: **Kyle Cittadino**, Wilmington, DE (US);
Kaveh Didehvar, Hockessin, DE (US);
Joseph Vaccaro, West Chester, PA (US)

(73) Assignee: **Zenith Products Corporation**, New
Castle, DE (US)

(**) Term: **14 Years**

(21) Appl. No.: **29/390,008**

(22) Filed: **Apr. 19, 2011**

(51) **LOC (9) Cl.** **23-02**

(52) **U.S. Cl.** **D6/525**

(58) **Field of Classification Search** D6/524,
D6/525, 566, 536, 540; 211/13.1, 74, 71.01,
211/86.01, 75, 88.01, 90.01, 90.03, 106,
211/119, 126.1, 133.5, 181.1, 134; D3/309;
206/171

See application file for complete search history.

5,791,501 A	8/1998	Baldwin, Jr.	
D401,092 S	11/1998	Patel	
D431,109 S	9/2000	Lacy et al.	
D436,487 S *	1/2001	Walker	D6/525
D458,491 S *	6/2002	Ho	D6/525
D463,123 S	9/2002	Hradisky	
D469,610 S	2/2003	Corp et al.	
D470,978 S *	2/2003	Hoernig	D6/524
D474,603 S	5/2003	Berenguer	
D485,092 S	1/2004	Rosen	
6,726,038 B2	4/2004	Ko	
D508,322 S	8/2005	Horst	
D509,361 S	9/2005	Suero, Jr.	
D517,806 S	3/2006	Charuwongkhachton	
D537,665 S	3/2007	Hart	
7,186,050 B2	3/2007	Dean et al.	
D542,058 S	5/2007	Clucas	
D542,536 S	5/2007	Gialanella	
D553,361 S	10/2007	Splain et al.	
D554,416 S	11/2007	Thompson et al.	
D556,476 S	12/2007	Butler et al.	

(Continued)

Primary Examiner — Brian N Vinson

(74) *Attorney, Agent, or Firm* — Panitch Schwarze Belisario
& Nadel LLP

(56) **References Cited**

U.S. PATENT DOCUMENTS

2,689,072 A *	9/1954	Dechar	206/171
3,938,872 A	2/1976	Hagerman	
4,494,661 A	1/1985	Krusche	
4,671,415 A	6/1987	Manhart	
D292,764 S	11/1987	Kester	
4,811,996 A	3/1989	Hansson	
D320,134 S	9/1991	Emery	
D323,439 S	1/1992	Emery	
D341,463 S *	11/1993	Booth	D3/306
5,294,008 A	3/1994	Dunaway	
D351,751 S *	10/1994	Brightbill et al.	D6/525
5,390,800 A	2/1995	Tucker	
D372,154 S	7/1996	Chapman	
D376,231 S	12/1996	McLain	
5,601,198 A	2/1997	Reed	
D387,595 S *	12/1997	Whang	D6/525
D395,362 S	6/1998	Fink et al.	
D395,773 S *	7/1998	Hofman	D6/525

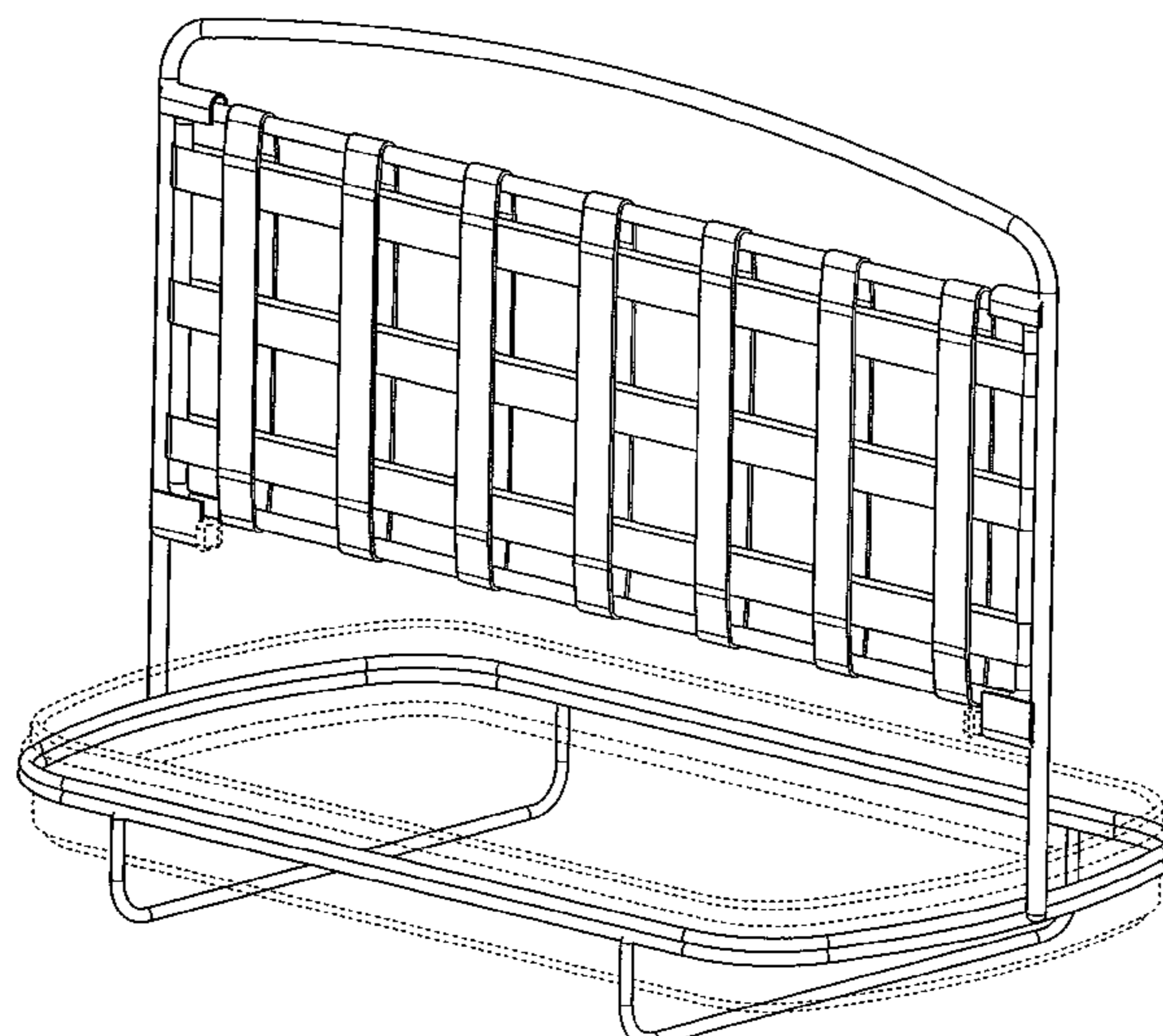
(57) **CLAIM**

The ornamental design for a shower caddy, as shown and described.

DESCRIPTION

FIG. 1 is a front perspective view of a shower caddy in accordance with our new design;
FIG. 2 is a front elevational view thereof, a rear elevational view being a mirror image thereof;
FIG. 3 is a left-side elevational view thereof, a right-side elevational view being a mirror image thereof;
FIG. 4 is a top plan view thereof; and,
FIG. 5 is a bottom view thereof.
The broken lines in the figures are for illustrative purposes only and form no part of the claimed design.

1 Claim, 5 Drawing Sheets



US D661,927 S

Page 2

U.S. PATENT DOCUMENTS

D559,023 S	1/2008	Reichert		D616,202 S	5/2010	Whitlock et al.
D564,271 S *	3/2008	Snider	D6/525	D616,235 S	5/2010	Guindi
D572,502 S	7/2008	Yang et al.		D620,293 S	7/2010	Guindi
D572,516 S	7/2008	Snider		D624,754 S	10/2010	van Wijk et al.
D572,940 S	7/2008	Murray		D635,769 S	4/2011	Sosnovsky
D574,649 S *	8/2008	Snider	D6/525	D636,606 S	4/2011	Wang
D580,194 S	11/2008	Lambert et al.		D637,000 S	5/2011	Goodman et al.
7,459,636 B2	12/2008	Conrad		2007/0284326 A1	12/2007	Baloun
D588,840 S	3/2009	Dretzka		2008/0203042 A1	8/2008	Felsenthal
D614,888 S	5/2010	Sexton				

* cited by examiner

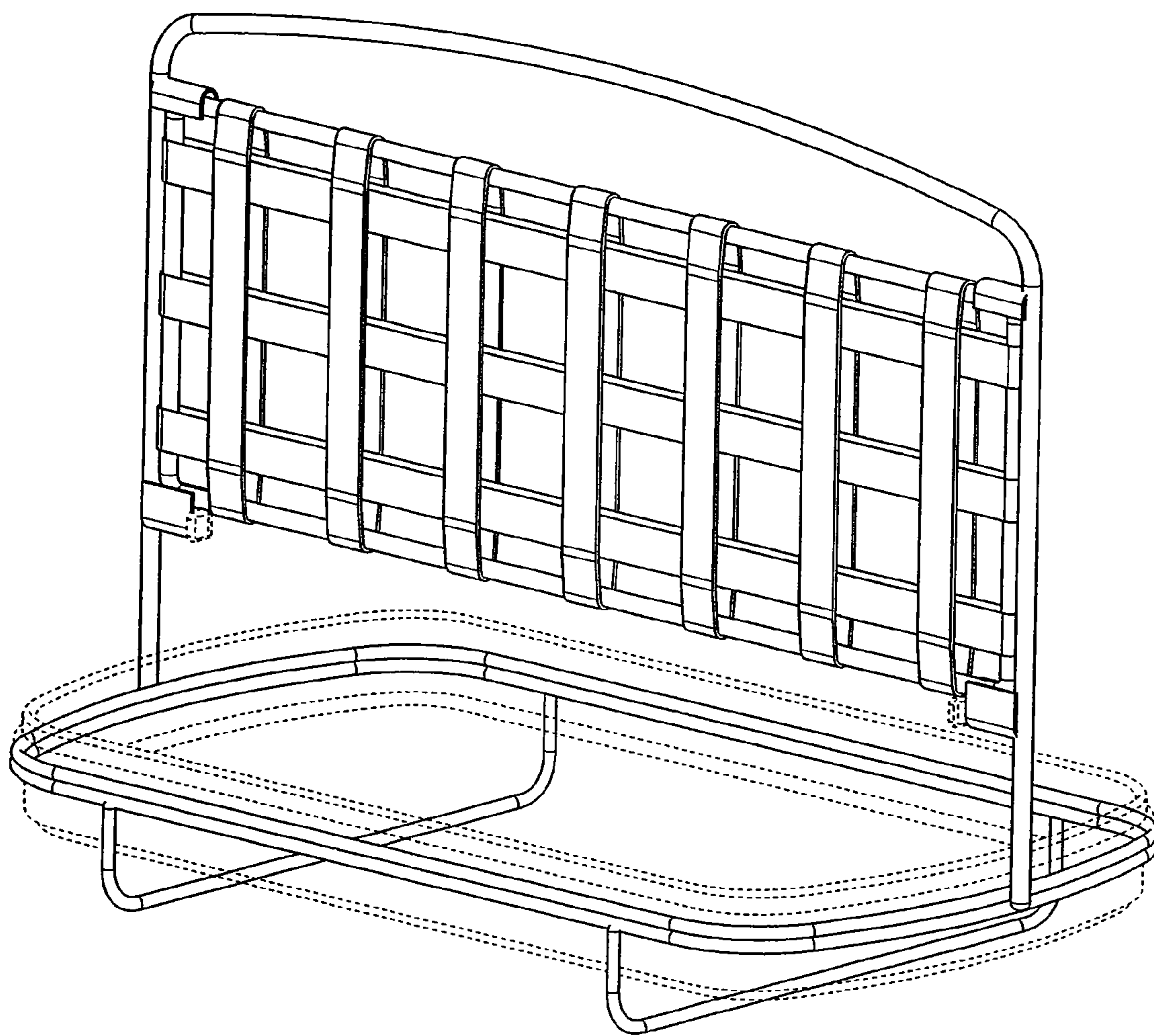


FIG. 1

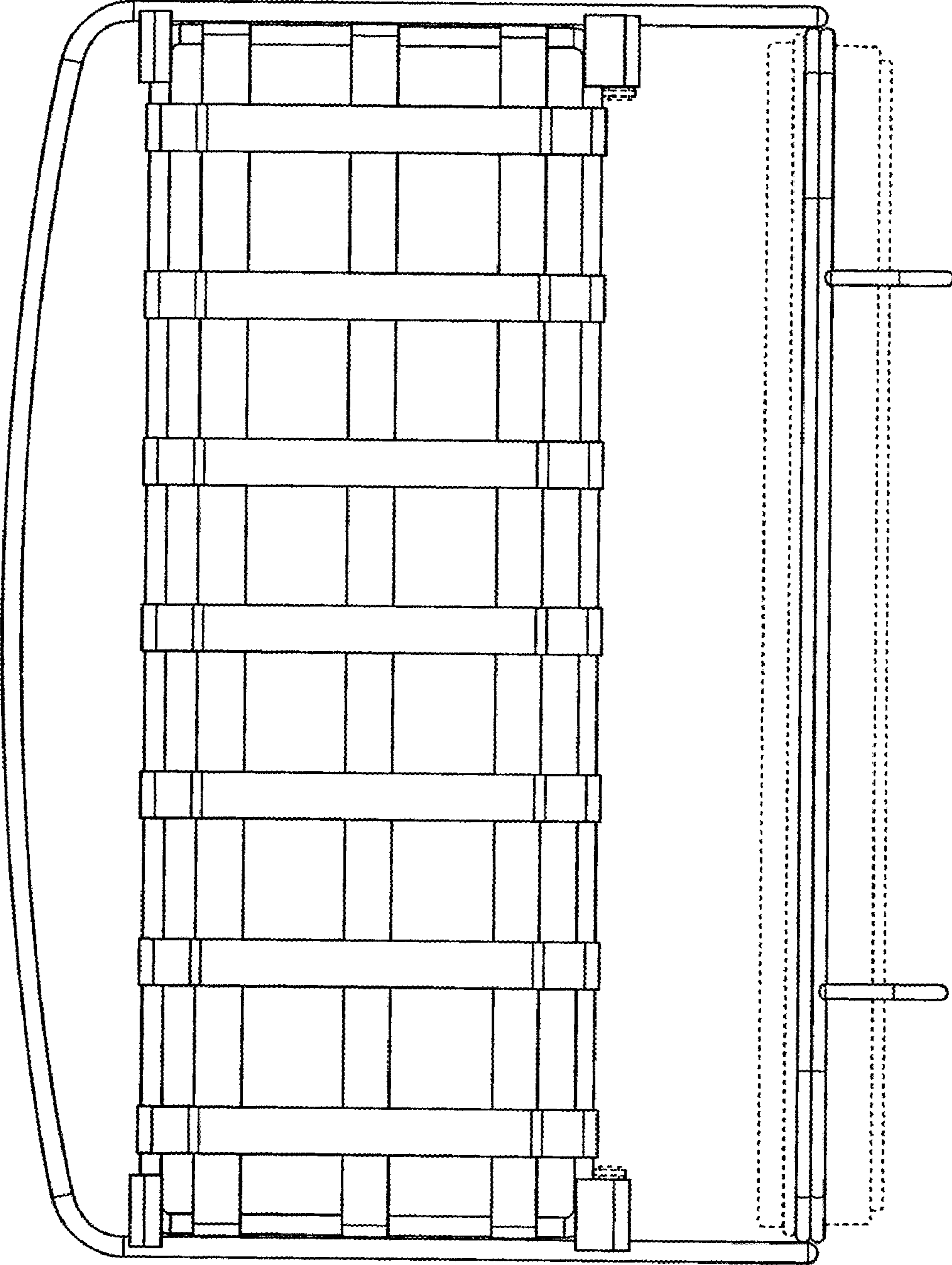


FIG. 2

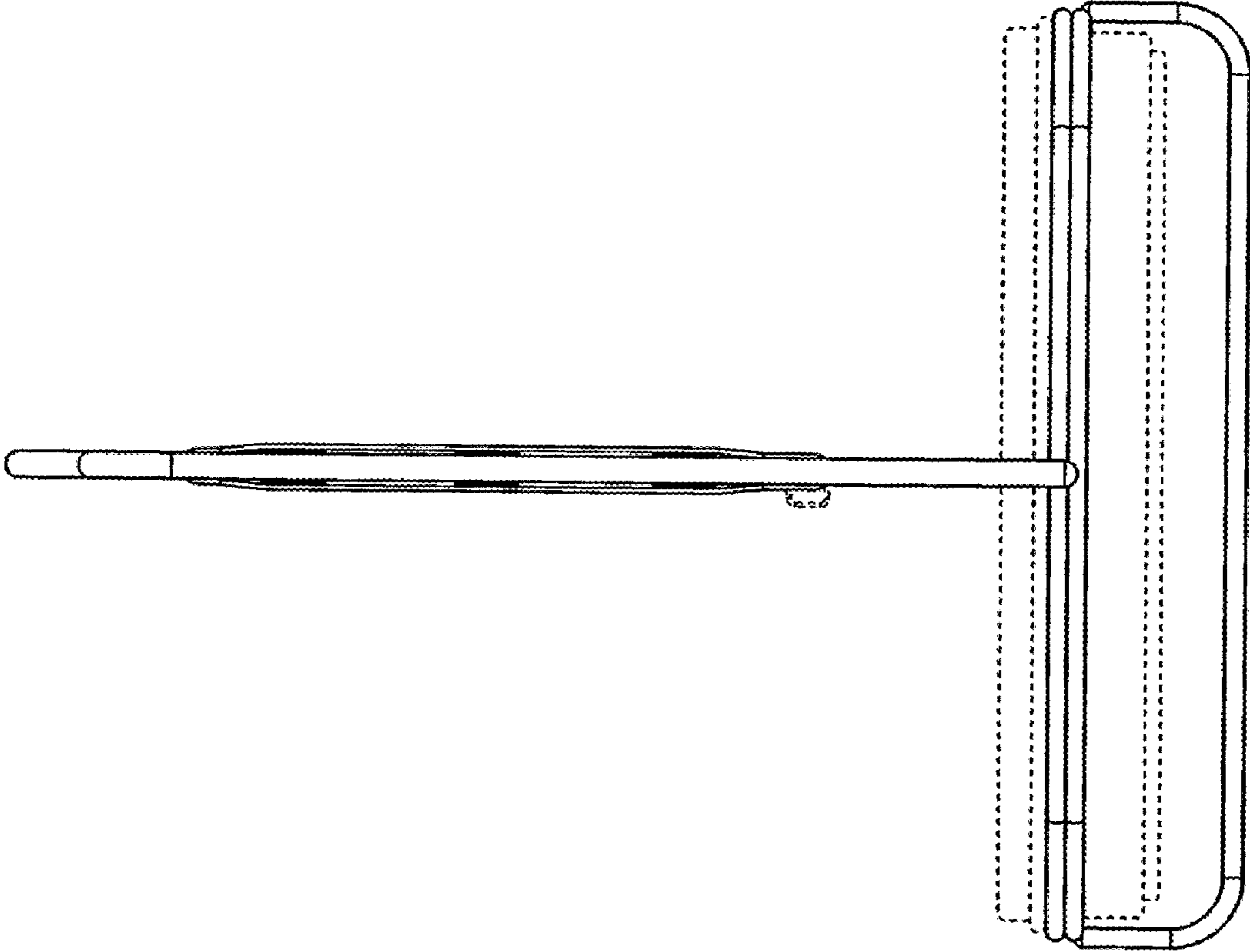


FIG. 3

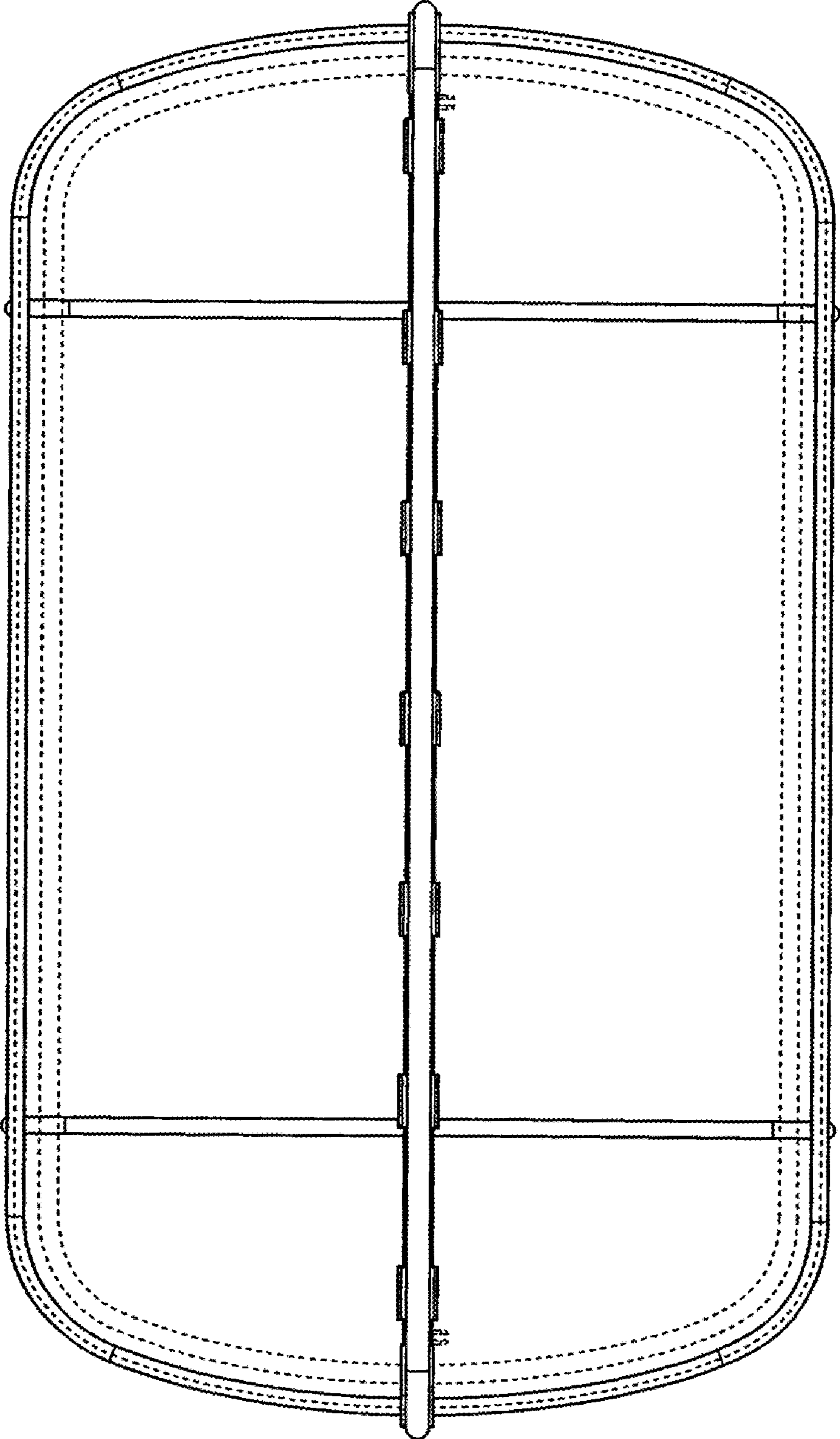


FIG. 4

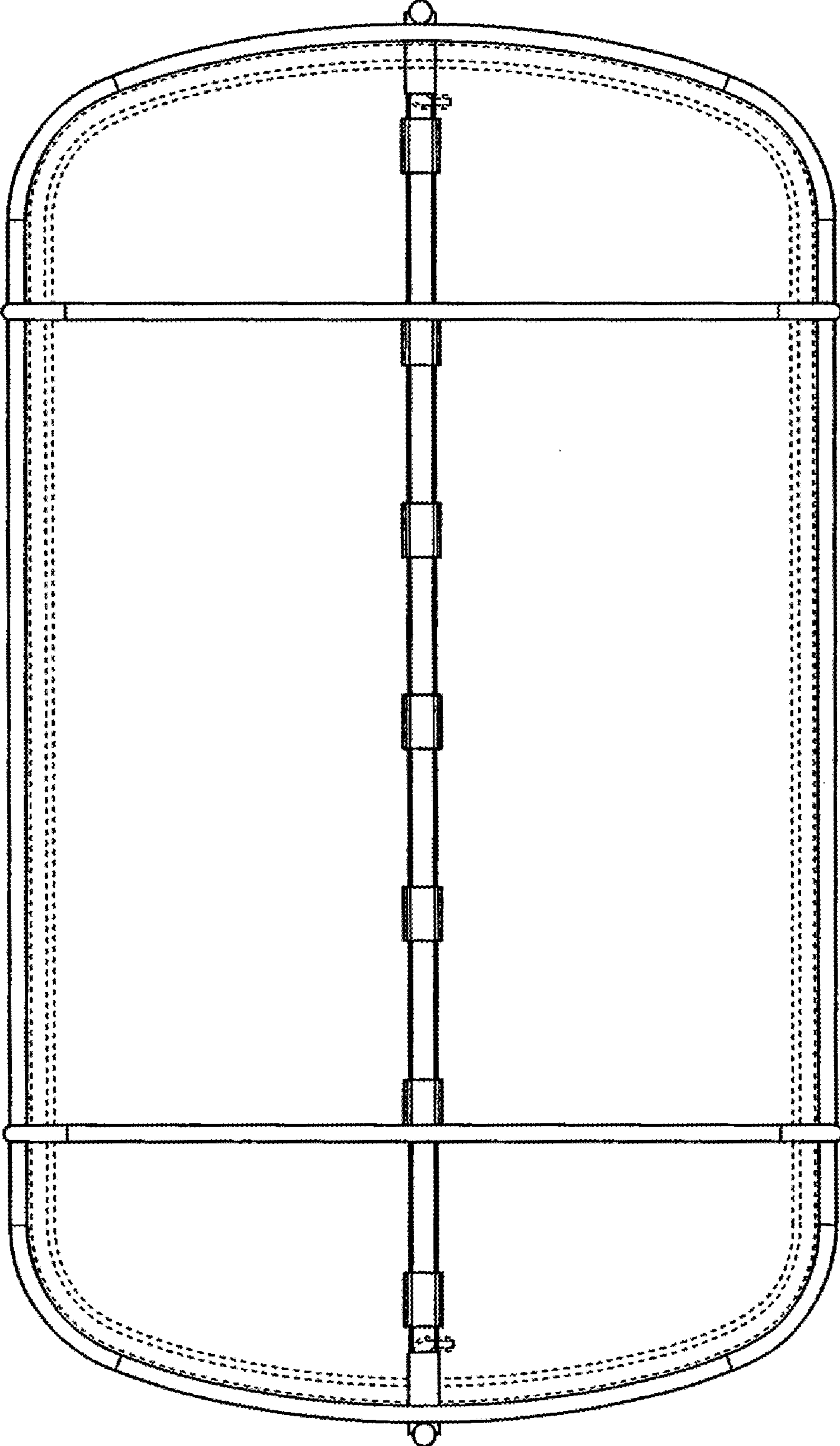


FIG. 5