

US00D661926S

(12) **United States Design Patent**
Kluck

(10) **Patent No.:** **US D661,926 S**
(45) **Date of Patent:** **** Jun. 19, 2012**

- (54) **TOWEL RECEPTACLE**
- (75) Inventor: **Scott M. Kluck**, Mequon, WI (US)
- (73) Assignee: **Bradley Corporation**, Menomonee Falls, WI (US)
- (**) Term: **14 Years**
- (21) Appl. No.: **29/412,076**
- (22) Filed: **Jan. 30, 2012**

- D607,171 S * 12/2009 Schwartz et al. D34/1
- D610,322 S * 2/2010 Schwartz et al. D34/1
- D612,121 S * 3/2010 Memari D34/1
- D620,290 S * 7/2010 Herrera D6/518
- D621,644 S * 8/2010 Johnson D6/515
- D623,453 S * 9/2010 Benedetti D6/518
- D641,119 S * 7/2011 Rampton et al. D34/1
- D647,270 S * 10/2011 Madsen D34/1
- D648,585 S * 11/2011 Meyerhoffer D6/518
- D650,622 S * 12/2011 Morand D6/518

* cited by examiner

Primary Examiner — Brian N Vinson
(74) *Attorney, Agent, or Firm* — Foley & Lardner LLP

Related U.S. Application Data

- (62) Division of application No. 29/379,126, filed on Nov. 15, 2010, now Pat. No. Des. 655,959.
- (51) **LOC (9) Cl.** **06-99**
- (52) **U.S. Cl.** **D6/512; D34/1**
- (58) **Field of Classification Search** D6/512–524; D34/1, 11; 211/13.1, 71.01, 85.19, 88.01; 221/33, 45, 282–283; 248/905; 312/34.1, 312/34.4; 220/908, 908.1, 911, 912, 913
See application file for complete search history.

(57) **CLAIM**

I claim the ornamental design for a towel receptacle, as shown and described.

DESCRIPTION

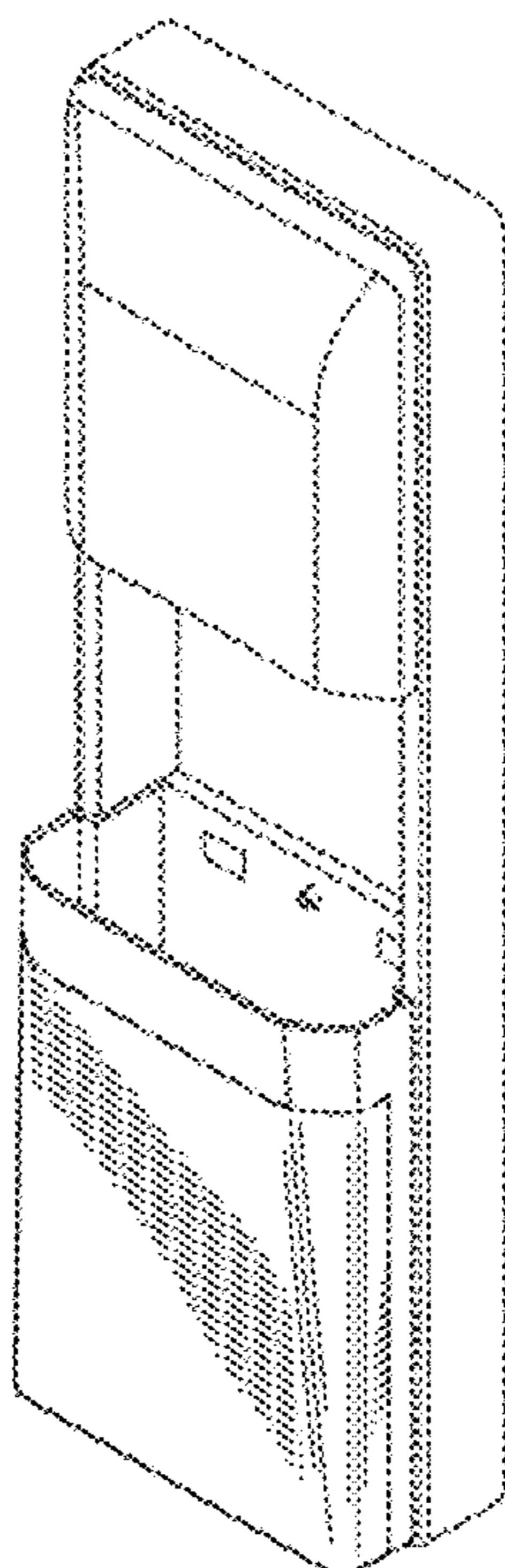
FIG. 1 is a perspective view from above of a towel receptacle showing my new design;
 FIG. 2 is a perspective view from below of the claimed design of FIG. 1;
 FIG. 3 is a front view of the claimed design of FIG. 1;
 FIG. 4 is a rear view of the claimed design of FIG. 1;
 FIG. 5 is a right side view of the claimed design of FIG. 1;
 FIG. 6 is a left side view of the claimed design of FIG. 1;
 FIG. 7 is a top view of the claimed design of FIG. 1; and,
 FIG. 8 is a bottom view of the claimed design of FIG. 1.
 The ornamental design which is claimed is shown in solid lines in the drawings. The broken lines in the drawings are for illustrative purposes only and form no part of the claimed design. The dot-dash lines in the drawings define boundaries of the claimed design and form no part thereof.

(56) **References Cited**

U.S. PATENT DOCUMENTS

- D482,221 S * 11/2003 Phelps et al. D6/518
- D493,312 S * 7/2004 Collins et al. D6/518
- D520,277 S * 5/2006 Smiley et al. D6/518
- D520,703 S * 5/2006 Nordgren et al. D34/1
- D522,781 S * 6/2006 Wieser et al. D6/518
- D553,402 S * 10/2007 Orgna et al. D6/518
- D579,249 S * 10/2008 Omdoll et al. D6/518
- D594,754 S * 6/2009 Dretzka D6/518
- D598,687 S * 8/2009 Serfaty D6/518

1 Claim, 6 Drawing Sheets



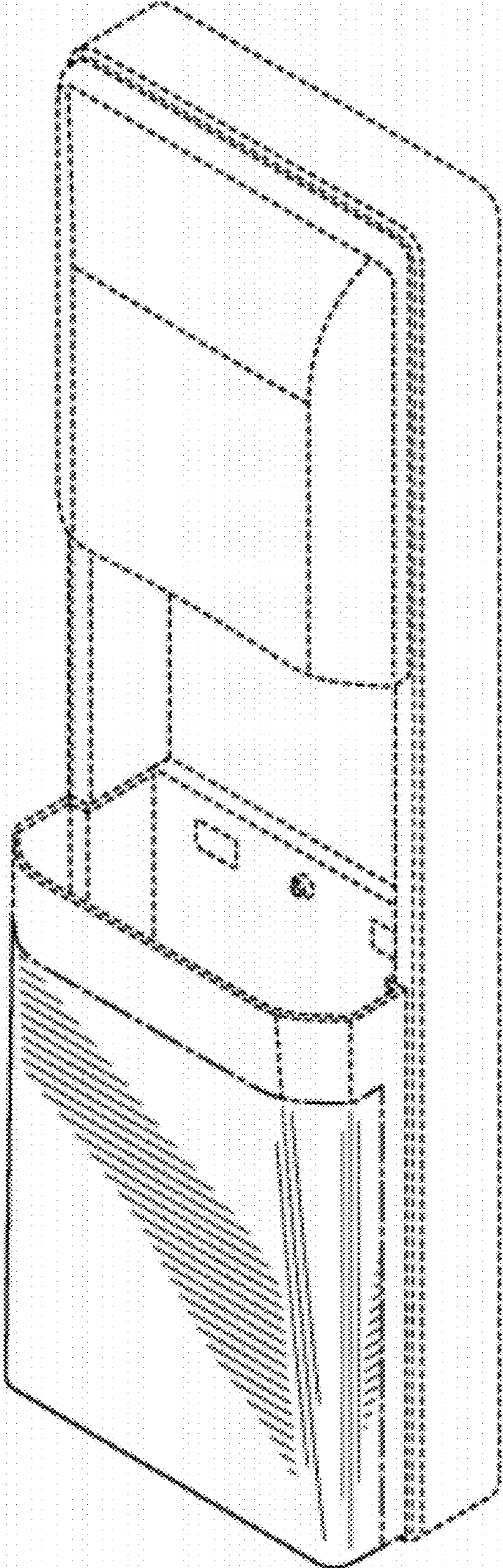


FIG. 1

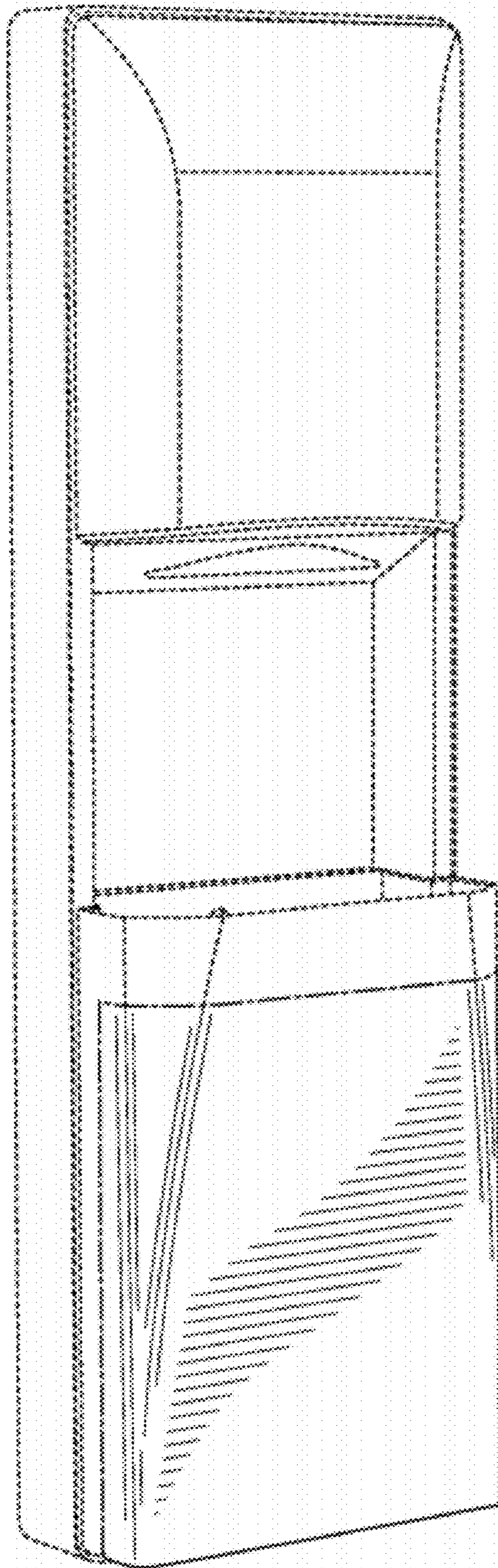


FIG. 2

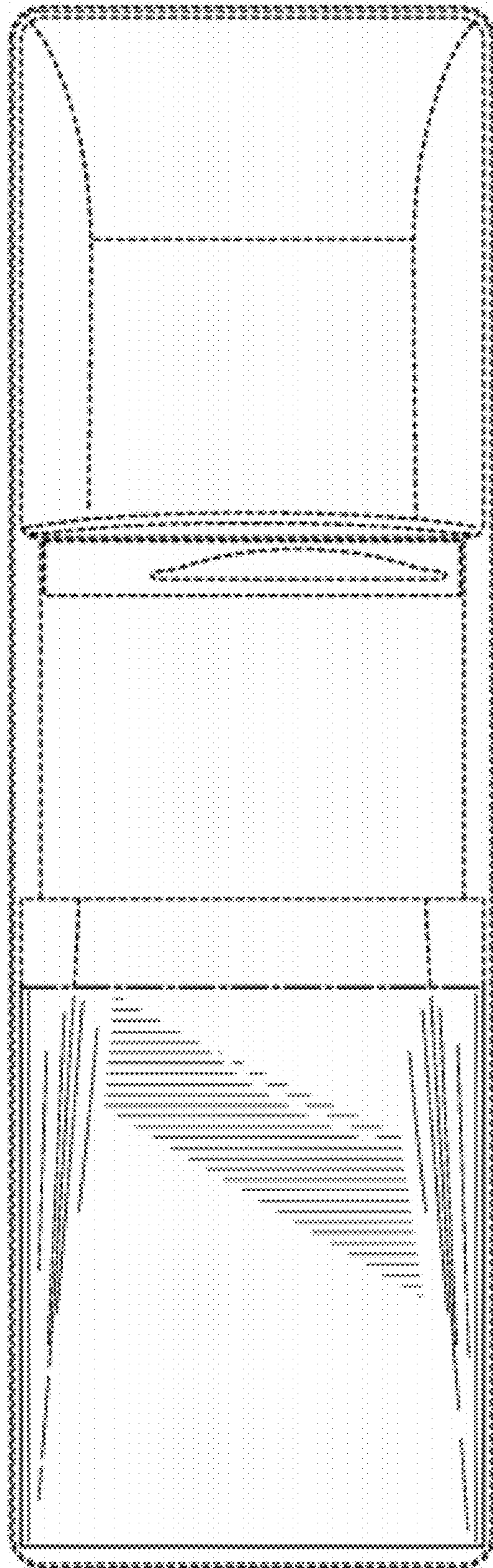


FIG. 3

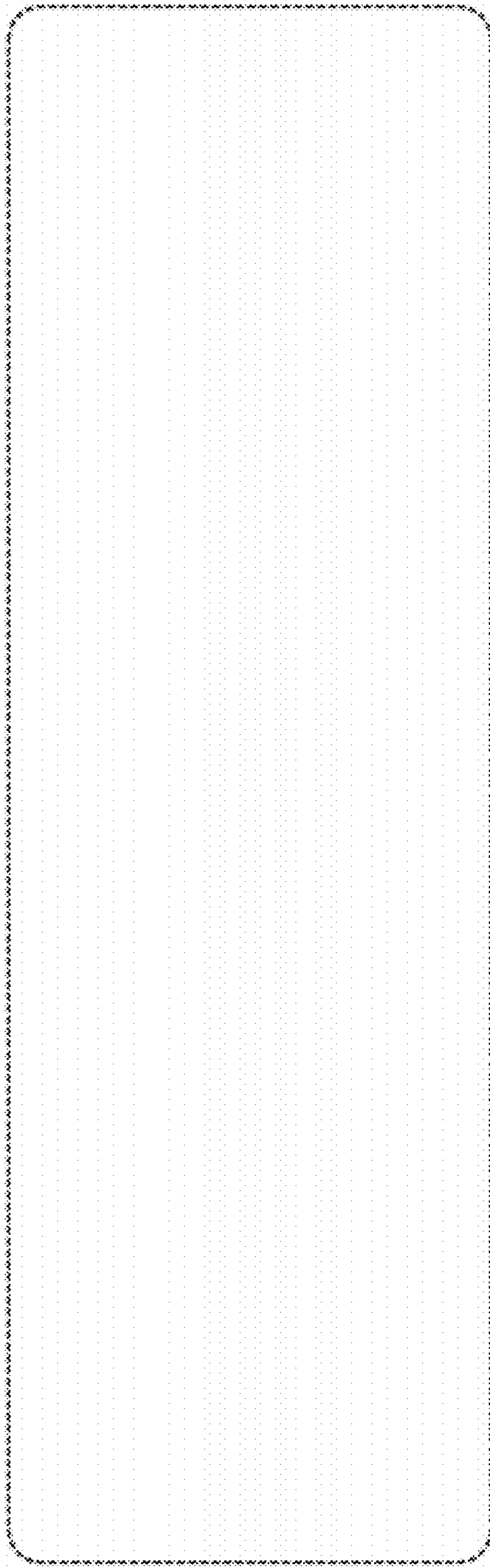


FIG. 4

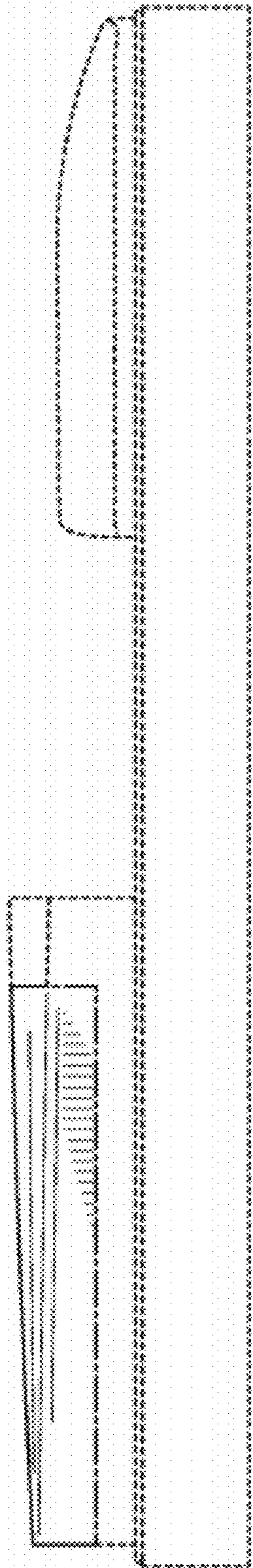


FIG. 5

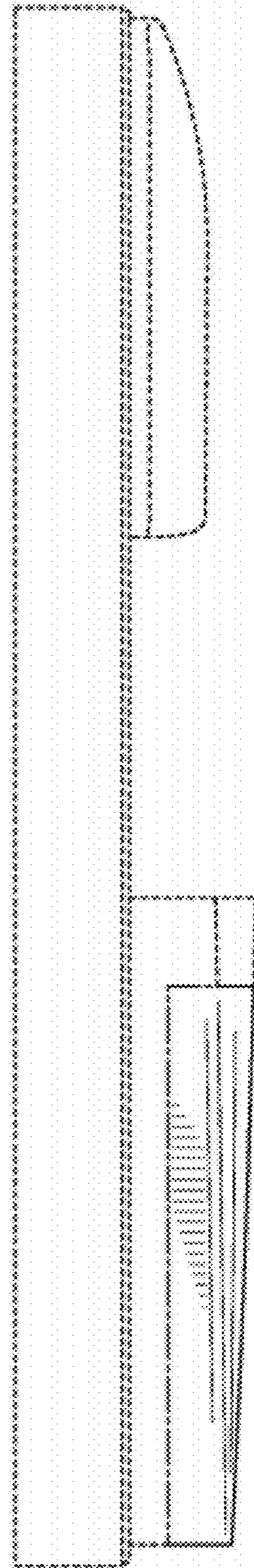


FIG. 6

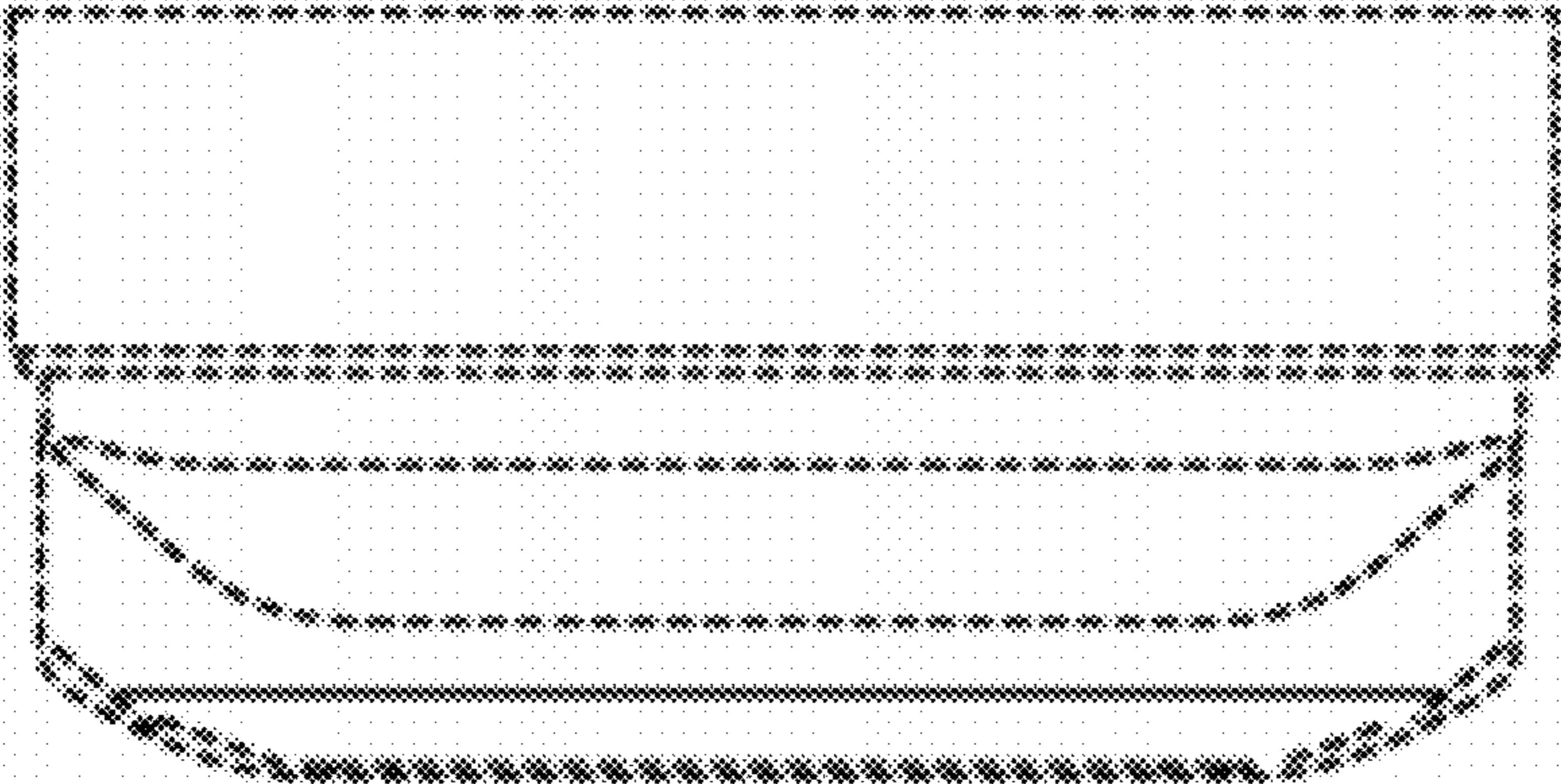


FIG. 7

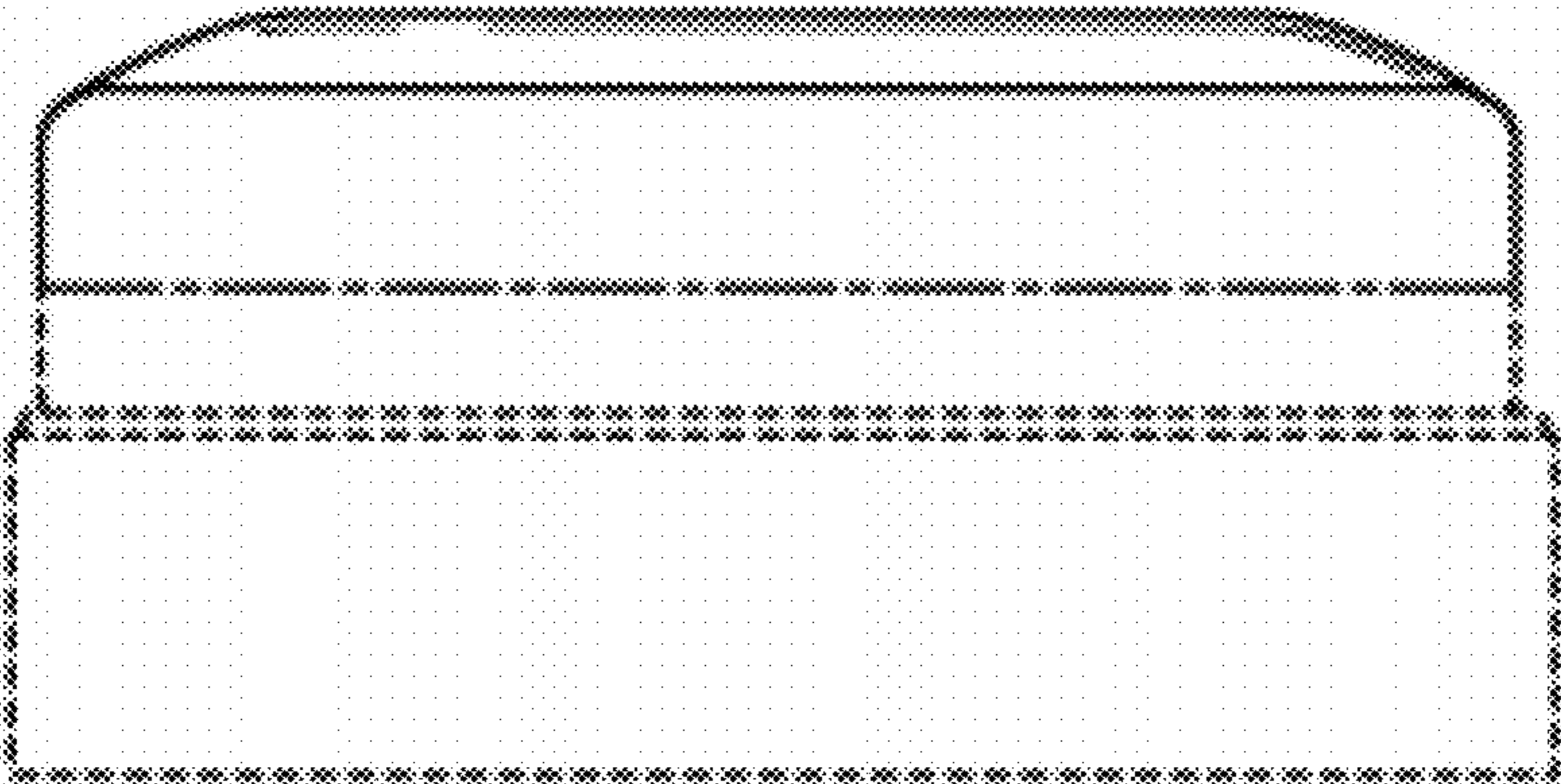


FIG. 8