



US00D661924S

(12) **United States Design Patent**
Sprinkle

(10) **Patent No.:** **US D661,924 S**

(45) **Date of Patent:** **** *Jun. 19, 2012**

(54) **STADIUM SEAT ATTACHMENT**

(76) Inventor: **Daniel Sprinkle**, Greenfield, IN (US)

(*) Notice: This patent is subject to a terminal disclaimer.

(**) Term: **14 Years**

(21) Appl. No.: **29/343,075**

(22) Filed: **Sep. 4, 2009**

(51) **LOC (9) Cl.** **06-04**

(52) **U.S. Cl.** **D6/495**

(58) **Field of Classification Search** D6/334-336,
D6/355, 371-373, 381, 491, 495, 500-502;
297/228.12, 232, 252, 335, 352, 378.1, 463.2;
5/653; 108/147; 280/14.1, 602, 845; D8/354,
D8/374; D21/760, 769; 248/425, 429
See application file for complete search history.

(56) **References Cited**

U.S. PATENT DOCUMENTS

2,211,374	A *	8/1940	Fuss	108/147
3,155,427	A *	11/1964	Necessary	297/252
3,310,341	A *	3/1967	Connell	297/252
4,715,652	A *	12/1987	Ward	297/252
4,871,209	A *	10/1989	Handelman	297/378.1
5,533,219	A *	7/1996	Meyers	5/653
D404,581	S *	1/1999	Saban	D6/358
D408,067	S *	4/1999	McGarry	D21/760
5,984,360	A *	11/1999	Edwards et al.	280/845
6,352,306	B1 *	3/2002	Dreiling	297/252
D460,681	S *	7/2002	Edwards	D8/354

D569,230	S *	5/2008	Terada et al.	D8/354
D586,201	S *	2/2009	Day	D8/354
2004/0145152	A1 *	7/2004	Santa Cruz et al.	280/602
2006/0250010	A1 *	11/2006	Jones	297/352

* cited by examiner

Primary Examiner — Mimoso De

(74) *Attorney, Agent, or Firm* — C. John Brannon; Brannon & Sowers, PC

(57) **CLAIM**

The ornamental design for a stadium seat attachment, as shown and described.

DESCRIPTION

FIG. 1 is a top perspective view of one embodiment of a stadium seat stabilizer showing my new design.

FIG. 2 is a bottom perspective view of the embodiment of the stadium seat stabilizer shown in FIG. 1.

FIG. 3 is a top plan view of the embodiment of the stadium seat stabilizer shown in FIG. 1.

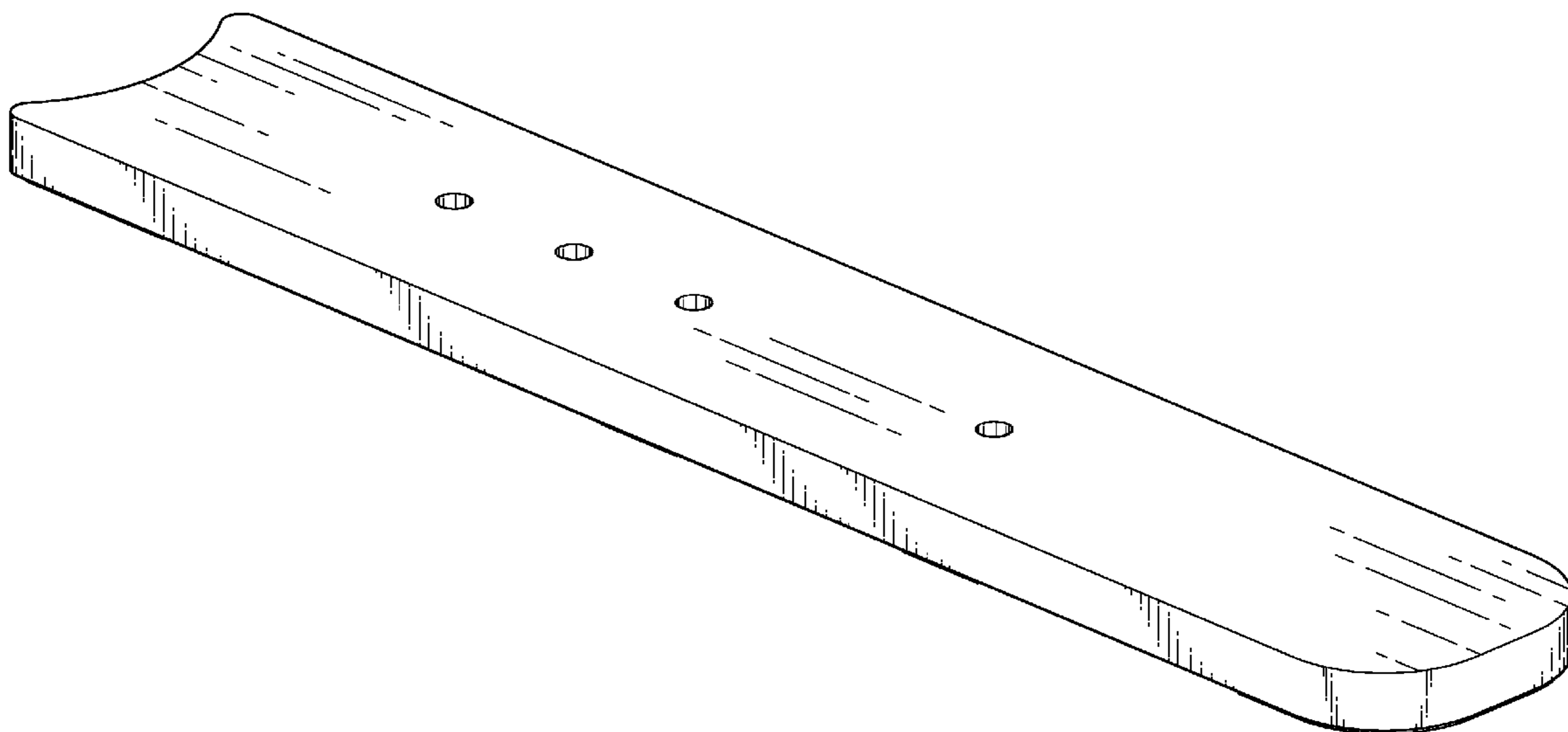
FIG. 4 is a side elevation view of the embodiment of the stadium seat stabilizer as seen from the right side of FIG. 3, the opposed view being the mirror image thereof.

FIG. 5 is a bottom plan view of the embodiment of the stadium seat stabilizer shown in FIG. 1.

FIG. 6 is a front elevation view of the embodiment of the stadium seat stabilizer shown in FIG. 1; and,

FIG. 7 is a rear elevation view of the embodiment of the stadium seat stabilizer shown in FIG. 1.

1 Claim, 4 Drawing Sheets



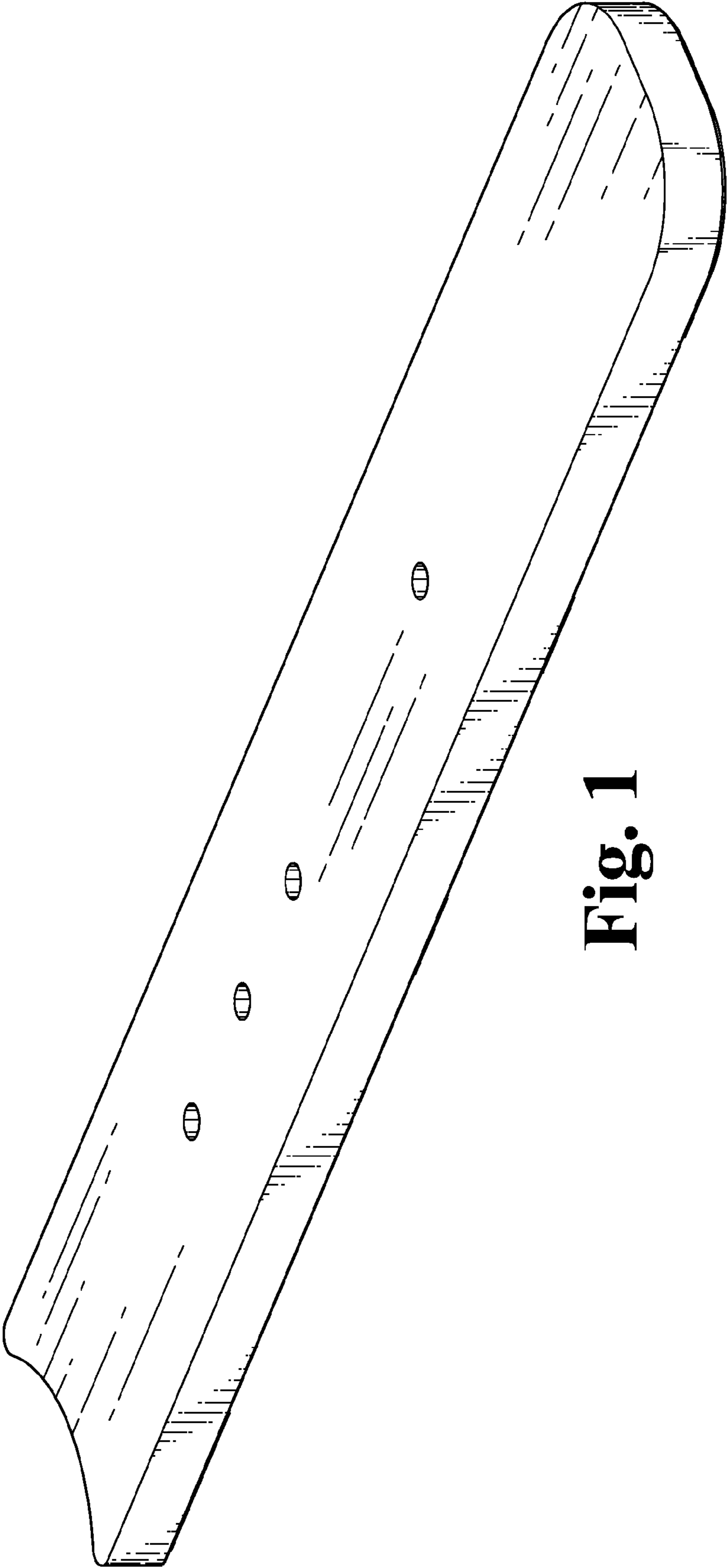


Fig. 1

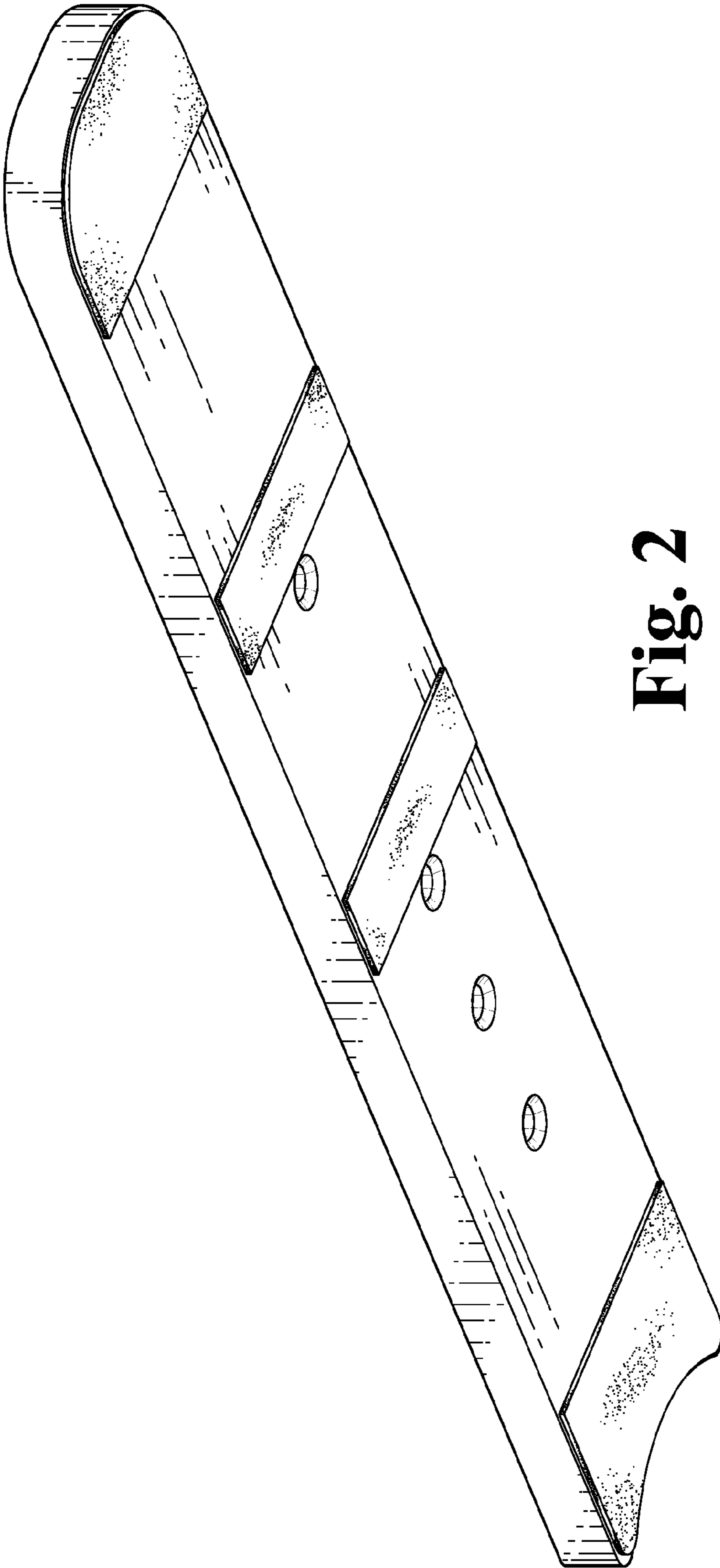


Fig. 2

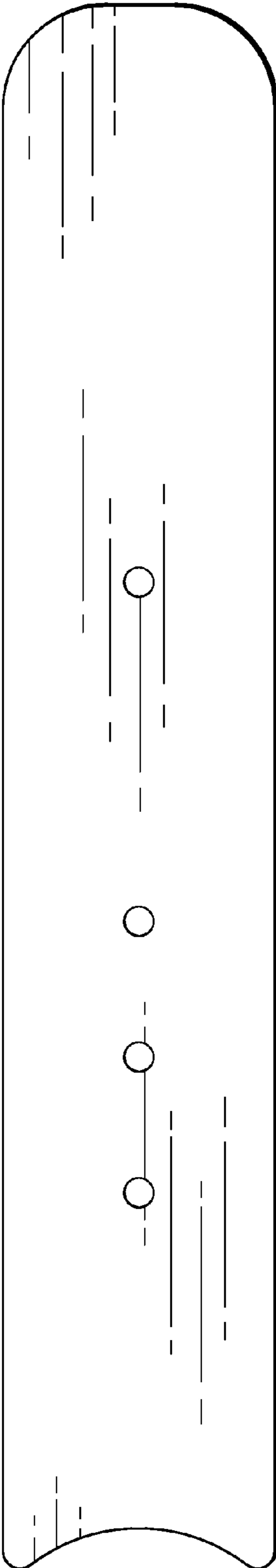


Fig. 3



Fig. 4

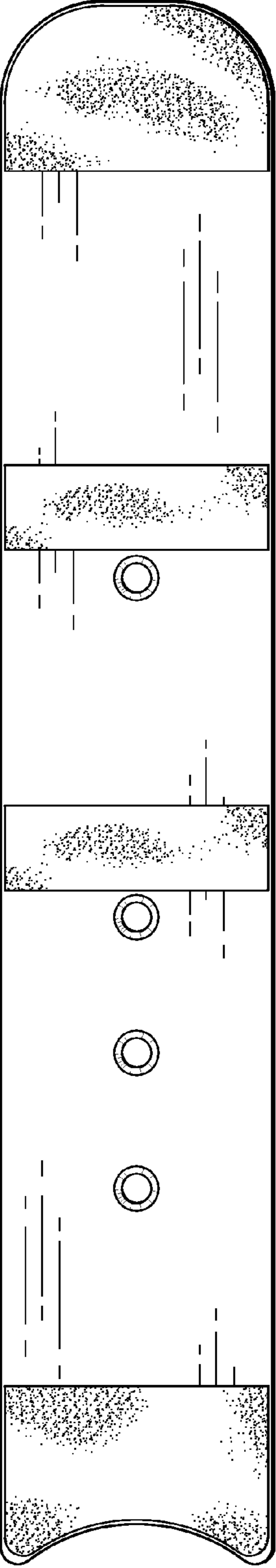


Fig. 5

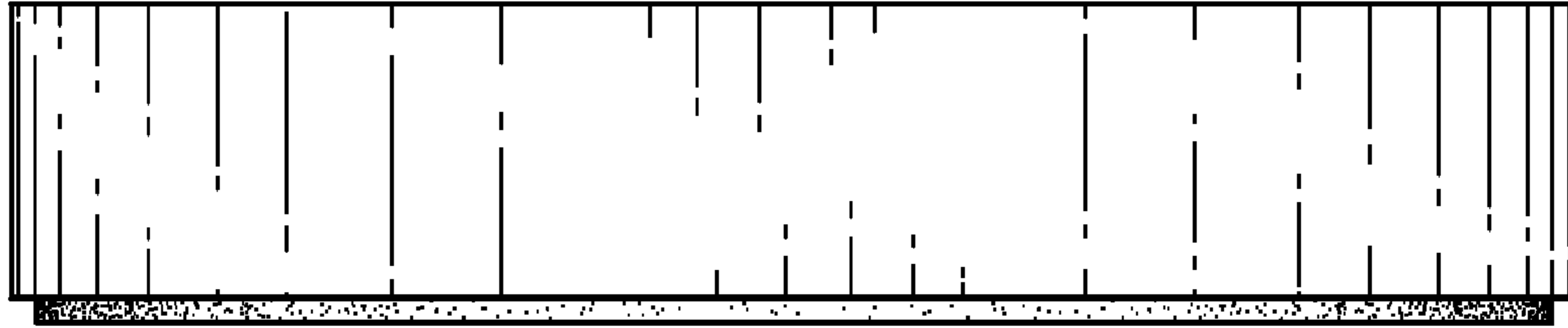


Fig. 6

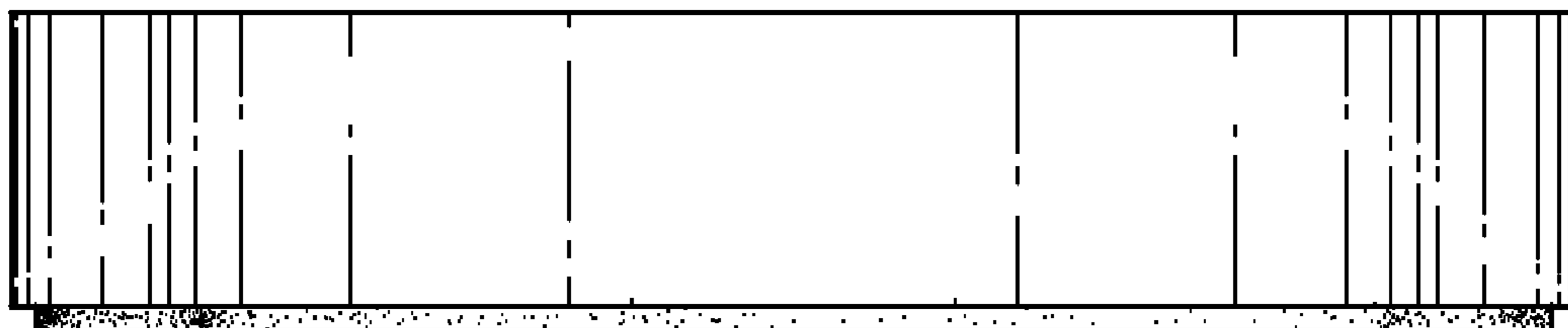


Fig. 7