

US00D661923S

(12) **United States Design Patent**
McCracken

(10) **Patent No.:** **US D661,923 S**
(45) **Date of Patent:** **** Jun. 19, 2012**

(54) **TABLE WITH SLANTED LEGS**
(76) Inventor: **Richard P. McCracken**, Azle, TX (US)
(**) Term: **14 Years**
(21) Appl. No.: **29/399,778**
(22) Filed: **Aug. 18, 2011**
(51) **LOC (9) Cl.** **06-03**
(52) **U.S. Cl.** **D6/488; D6/482**
(58) **Field of Classification Search** D6/480-489,
D6/495-499, 450, 451, 429-431, 477; 108/150,
108/153.1, 155, 156, 157.1, 161; 248/188,
248/188.1, 188.8
See application file for complete search history.

D512,586 S 12/2005 Cross
D553,882 S * 10/2007 Diekman D6/495
D566,997 S * 4/2008 Muller D6/495
D573,376 S * 7/2008 Muller D6/495
D591,984 S * 5/2009 Steigerwalt D6/495

* cited by examiner

Primary Examiner — Janice Seeger
(74) *Attorney, Agent, or Firm* — Montgomery Patent & Design, LLC; Robert C. Montgomery; Joseph T. Yaksich

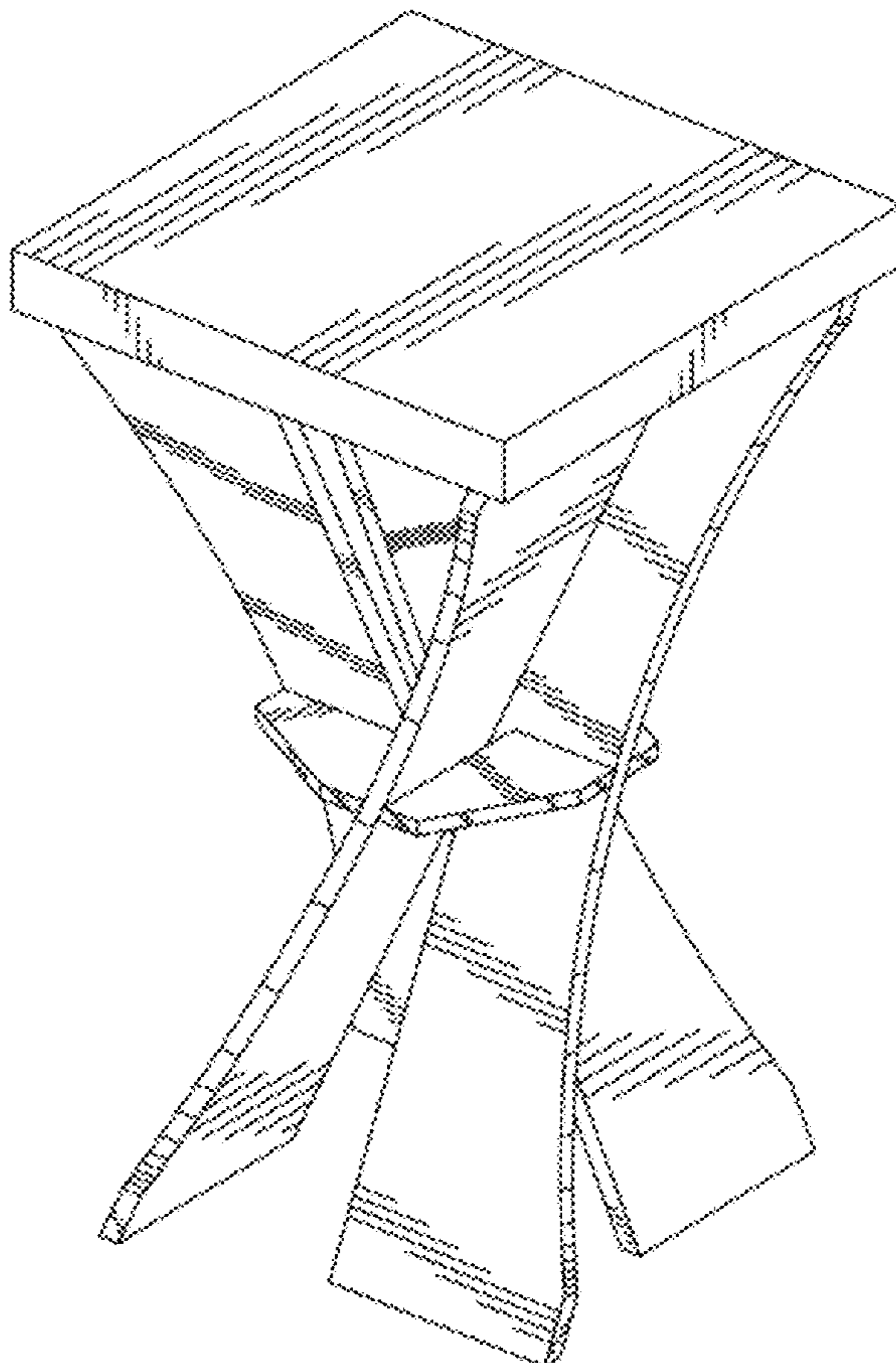
(57) **CLAIM**
The ornamental design for a table with slanted legs, as shown and described.

DESCRIPTION

FIG. 1 is a downward perspective view of a table with slanted legs, showing my new design;
FIG. 2 is an upward perspective view thereof;
FIG. 3 is a front view thereof with a rear view being a mirror image;
FIG. 4 is a left side view thereof with a right side view being a mirror image;
FIG. 5 is a top view thereof; and,
FIG. 6 is a bottom view thereof.

(56) **References Cited**
U.S. PATENT DOCUMENTS
D151,701 S 11/1948 Lux
D159,561 S * 8/1950 Tanier D6/480
D237,929 S 12/1975 Laylon
D258,033 S 1/1981 Mioni
D386,332 S 11/1997 Grosfillex
D406,708 S 3/1999 Hilton
D411,927 S 7/1999 Rhienen

1 Claim, 5 Drawing Sheets



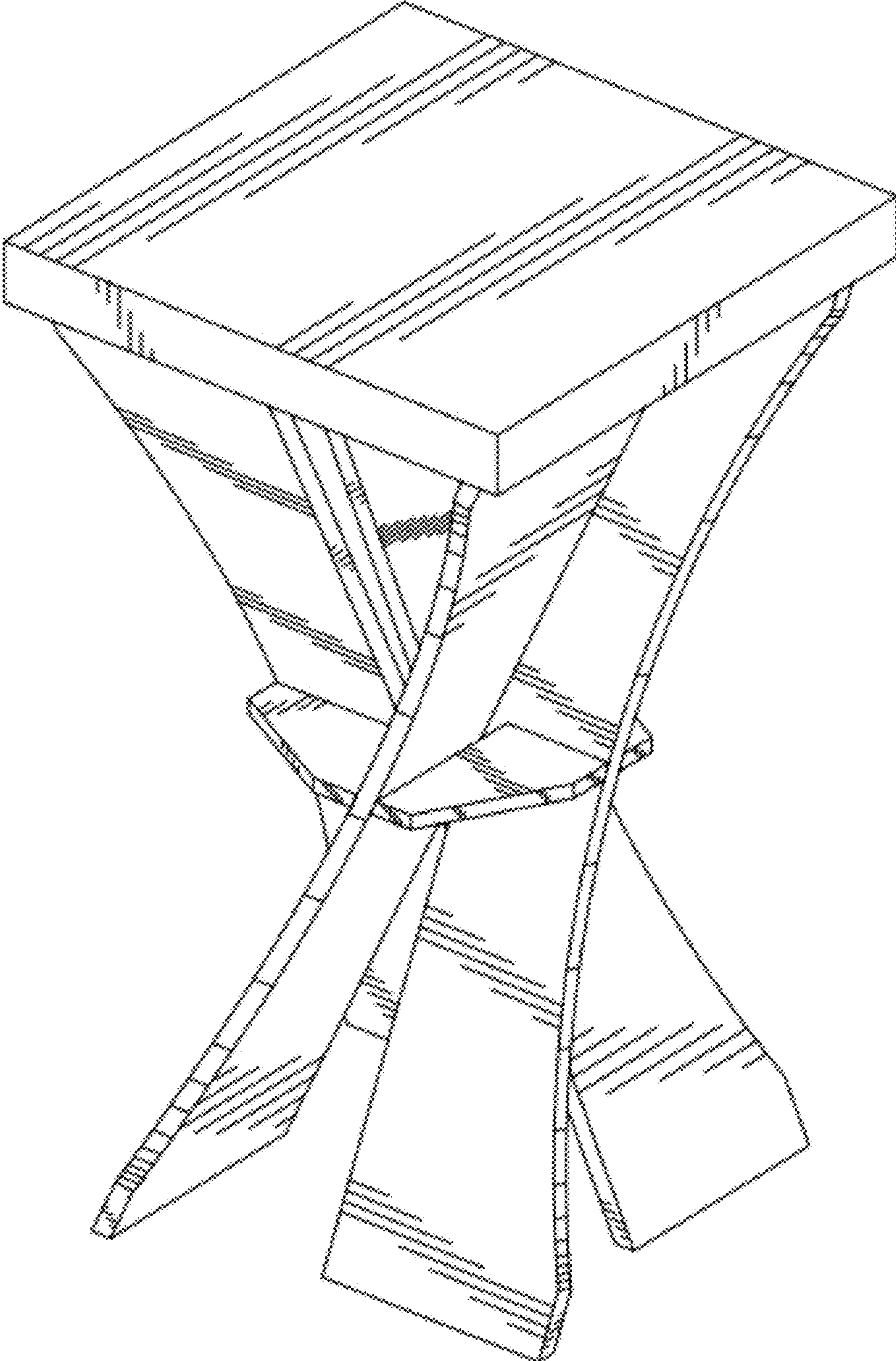


Fig. 1

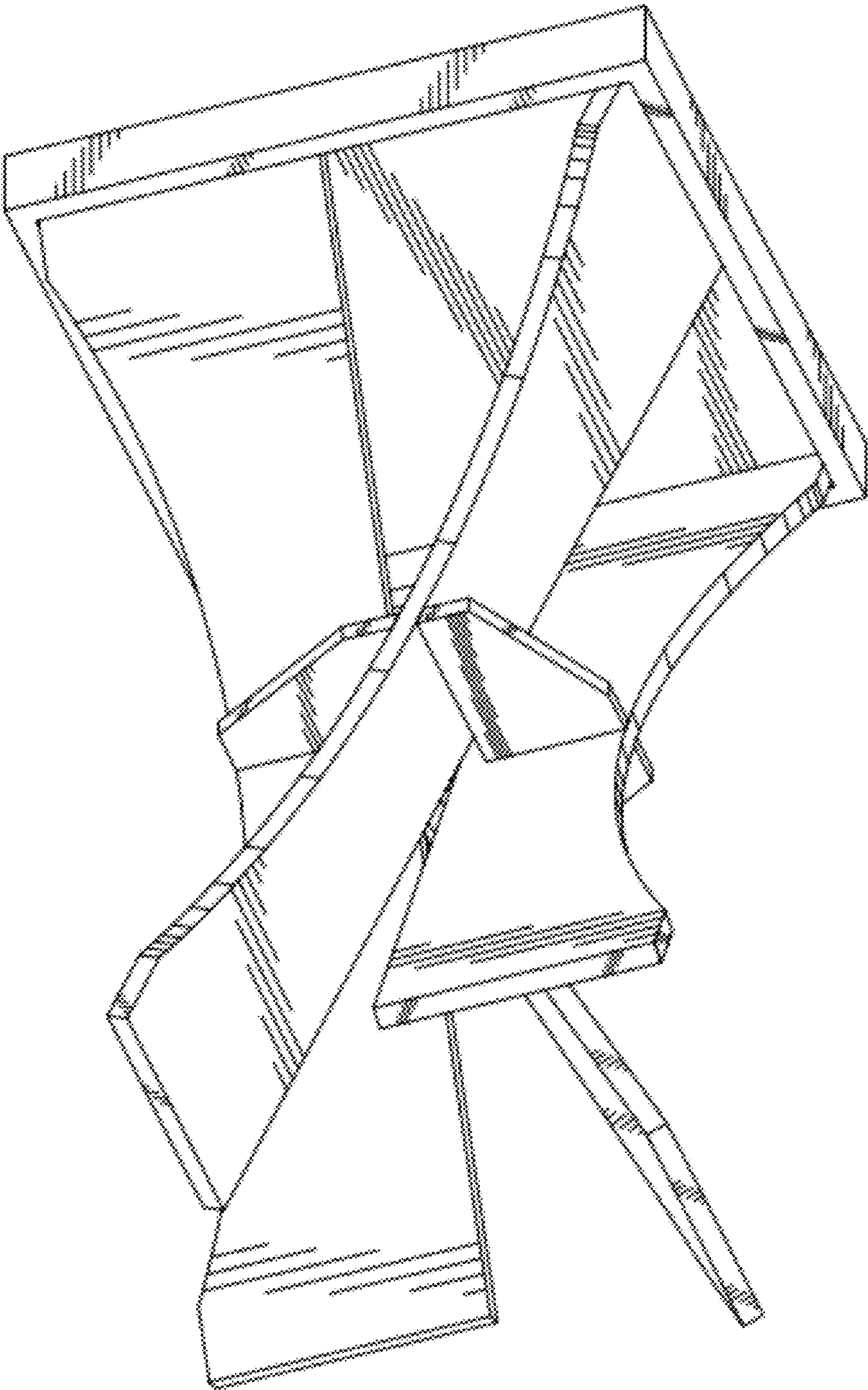


Fig. 2

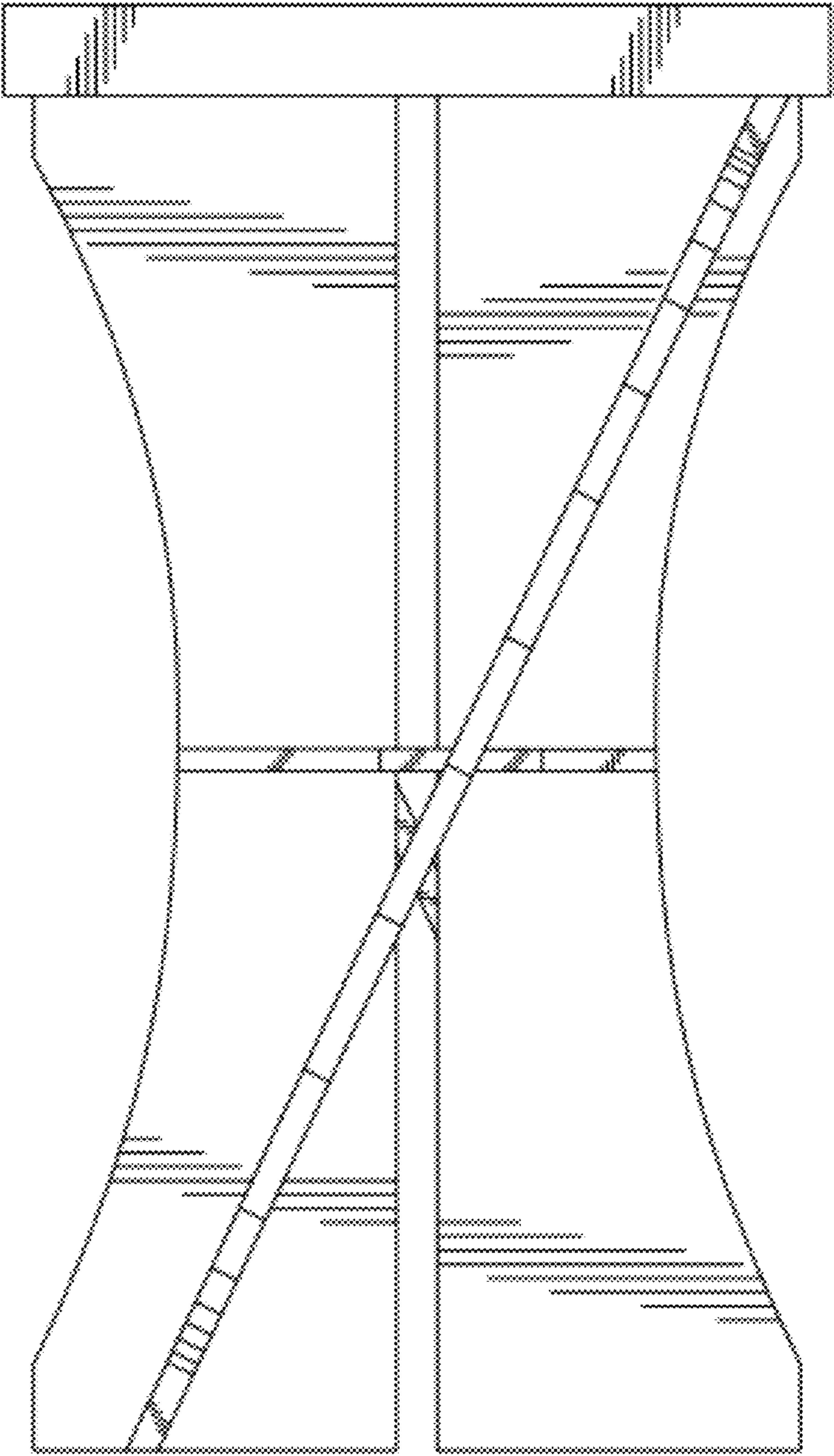


Fig. 3

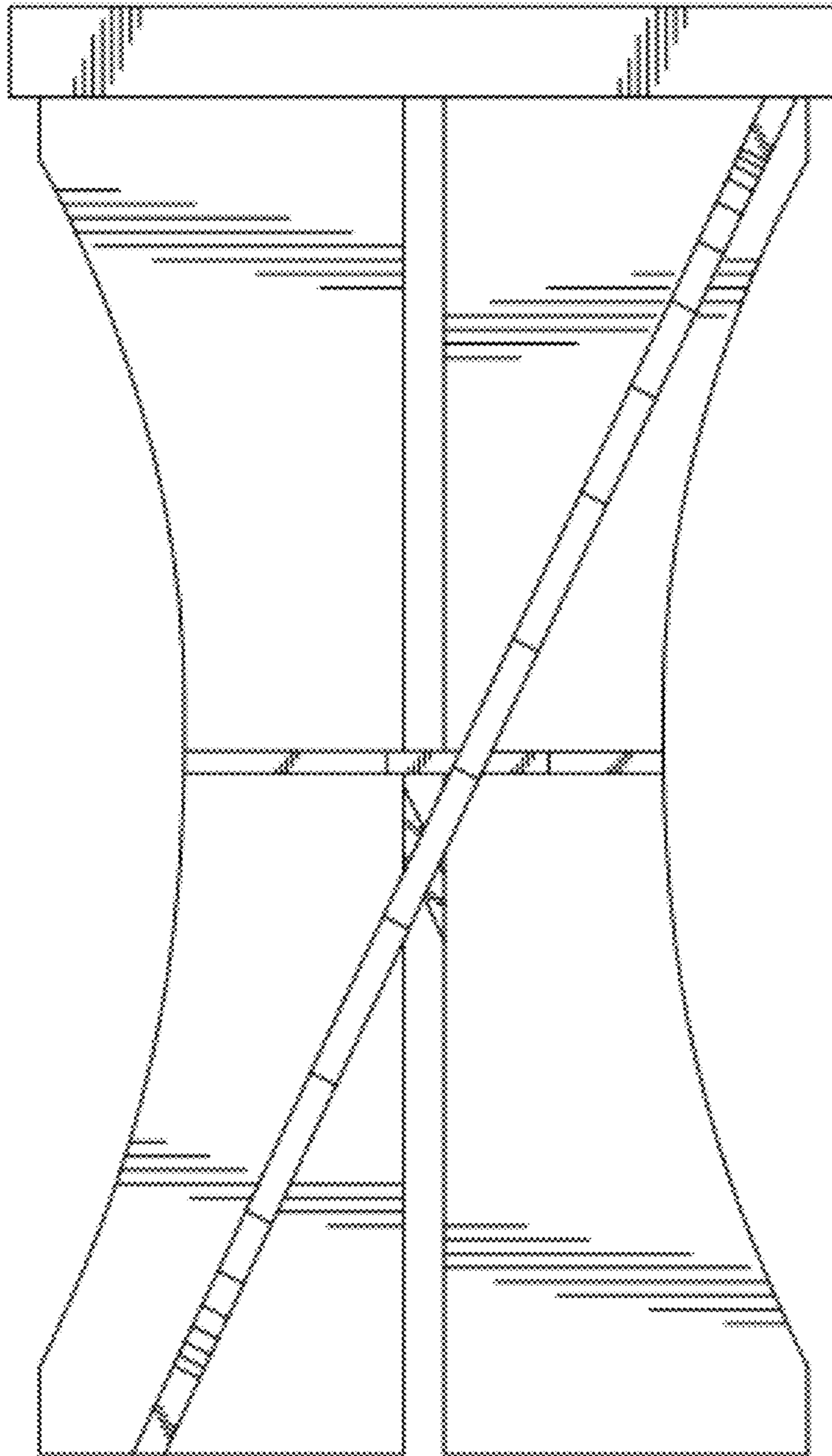


Fig. 4

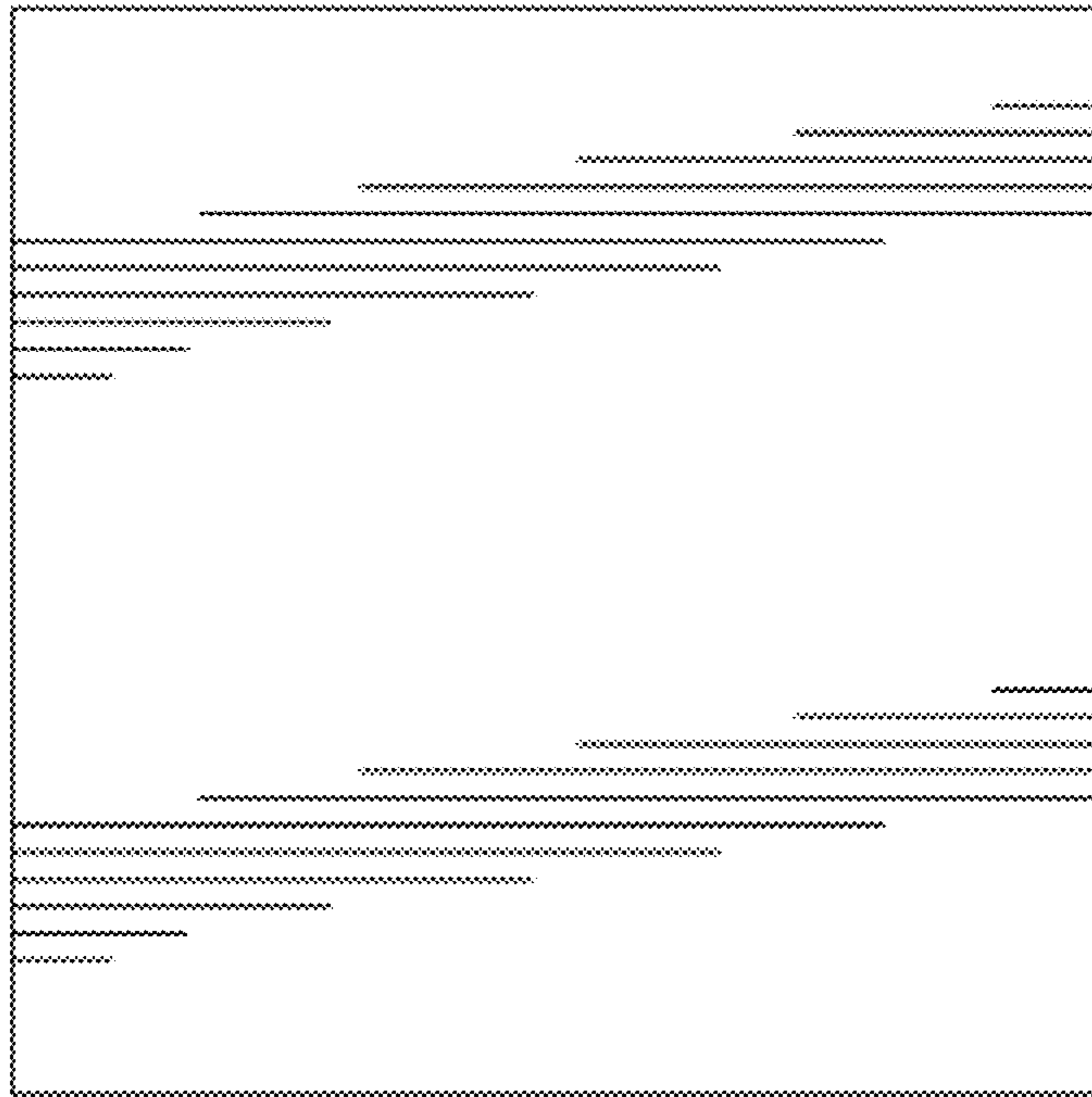


Fig. 6

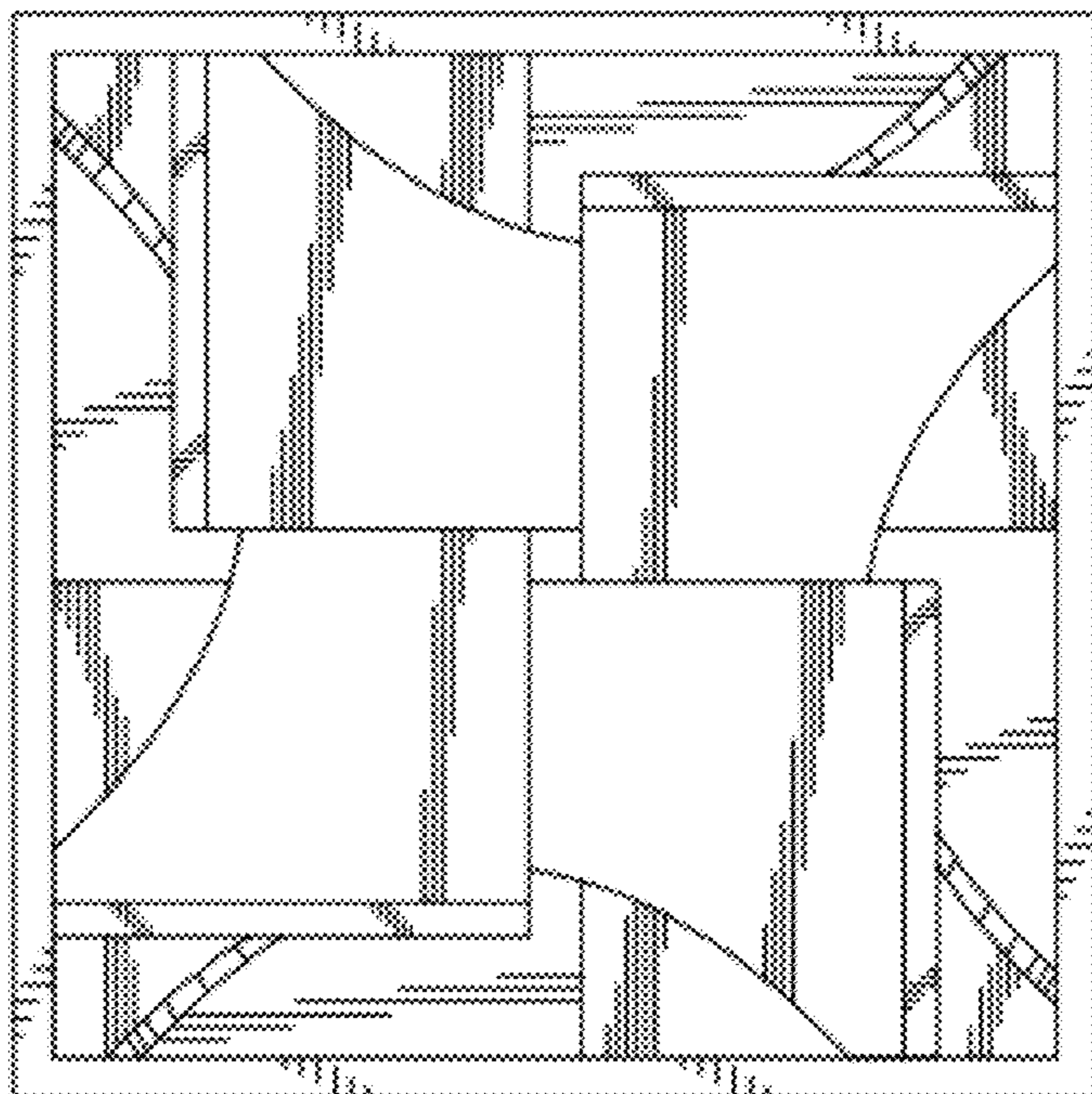


Fig. 5