



US00D661920S

(12) **United States Design Patent**  
**Arnold**

(10) **Patent No.:** **US D661,920 S**  
(45) **Date of Patent:** **\*\* Jun. 19, 2012**

(54) **COLLAPSIBLE LECTERN**

(76) Inventor: **Julius Arnold**, Warren, NJ (US)

(\*\*) Term: **14 Years**

(21) Appl. No.: **29/409,132**

(22) Filed: **Dec. 20, 2011**

(51) **LOC (9) Cl.** ..... **06-03**

(52) **U.S. Cl.** ..... **D6/419; D6/429**

(58) **Field of Classification Search** ..... D6/419-428,  
D6/429-431, 480-489; 312/194-196, 198,  
312/6, 262; 108/50.01, 50.02, 153.1, 155,  
108/156, 161; 248/441.1, 460, 461  
See application file for complete search history.

(56) **References Cited**

**U.S. PATENT DOCUMENTS**

5,152,491	A *	10/1992	Forster et al.	248/454
D339,250	S *	9/1993	Risom et al.	D6/421
5,315,935	A *	5/1994	Weisenfels	108/193
D480,232	S *	10/2003	Bosman	D6/421
D498,080	S *	11/2004	Bosman	D6/421
D538,068	S *	3/2007	Newhouse et al.	D6/484
D553,875	S *	10/2007	Traun	D6/419
2012/0068038	A1 *	3/2012	Baylor et al.	248/460

\* cited by examiner

*Primary Examiner* — Janice Seeger

(74) *Attorney, Agent, or Firm* — Stephen Ball

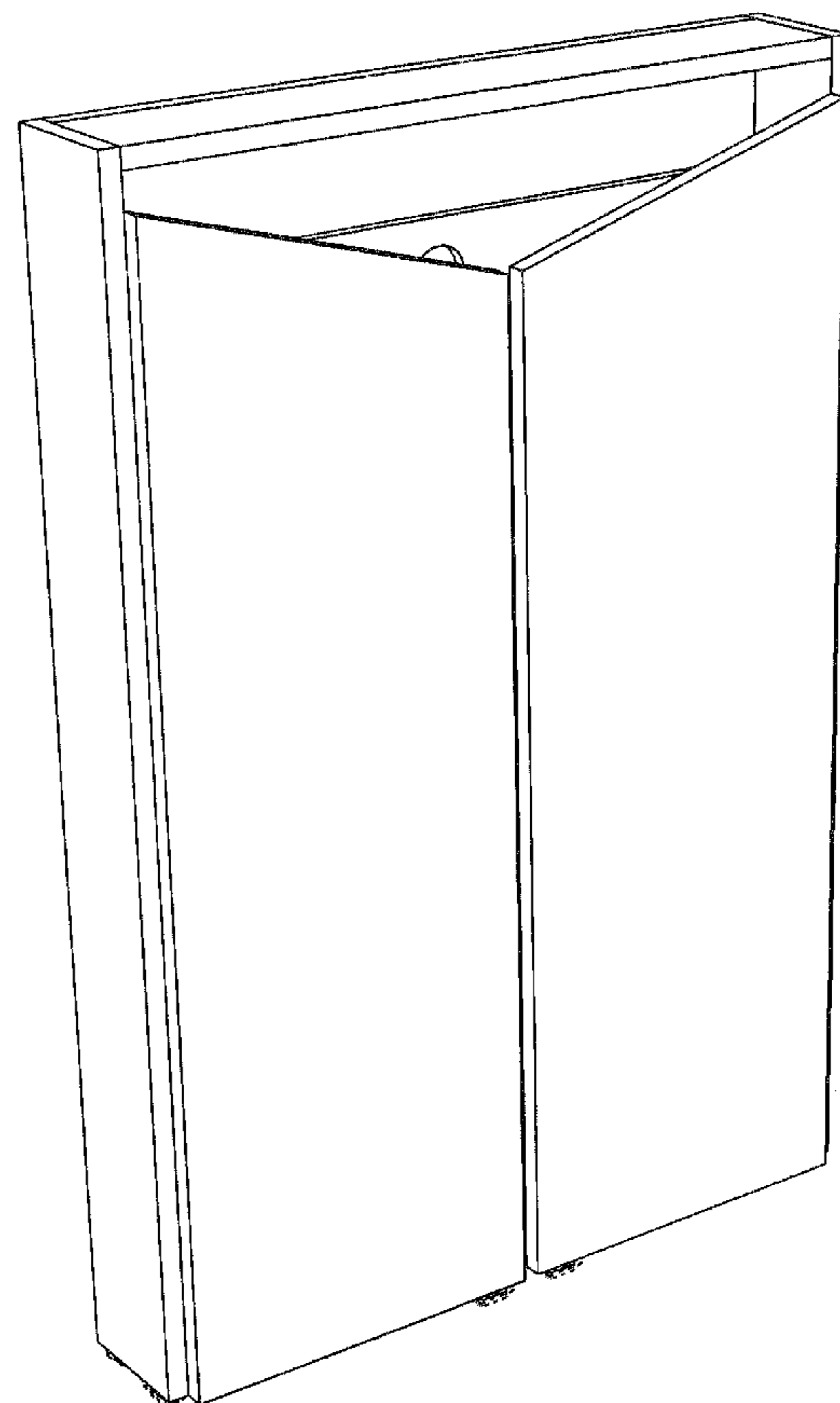
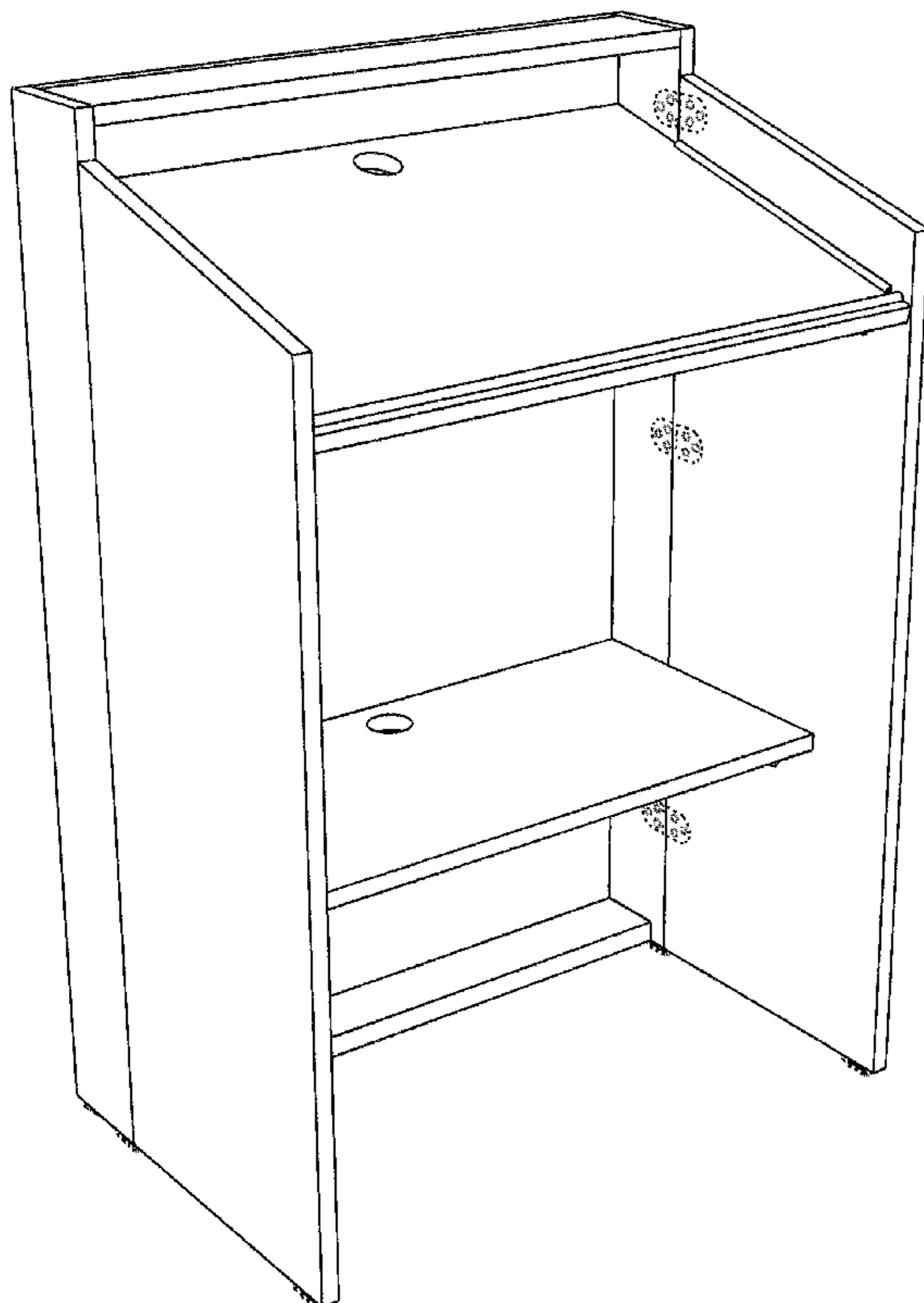
(57) **CLAIM**

The ornamental design for a collapsible lectern, as shown and described.

**DESCRIPTION**

FIG. 1 is a front perspective view of a collapsible lectern in accordance with the new design;  
 FIG. 2 is a front perspective view thereof with its doors closed;  
 FIG. 3 is a front perspective view thereof with its shelves partially lowered;  
 FIG. 4 is a front perspective view thereof with its shelves fully lowered;  
 FIG. 5 is a side perspective view thereof, an opposite side perspective view being a mirror image thereof;  
 FIG. 6 is a side perspective view thereof with its doors closed, an opposite side perspective view being a mirror image thereof; and,  
 FIG. 7 is a bottom perspective view thereof.  
 Broken lines shown in FIGS. 1, 3, 4 and 7 are for illustration purposes only and are not part of the claimed design.

**1 Claim, 7 Drawing Sheets**



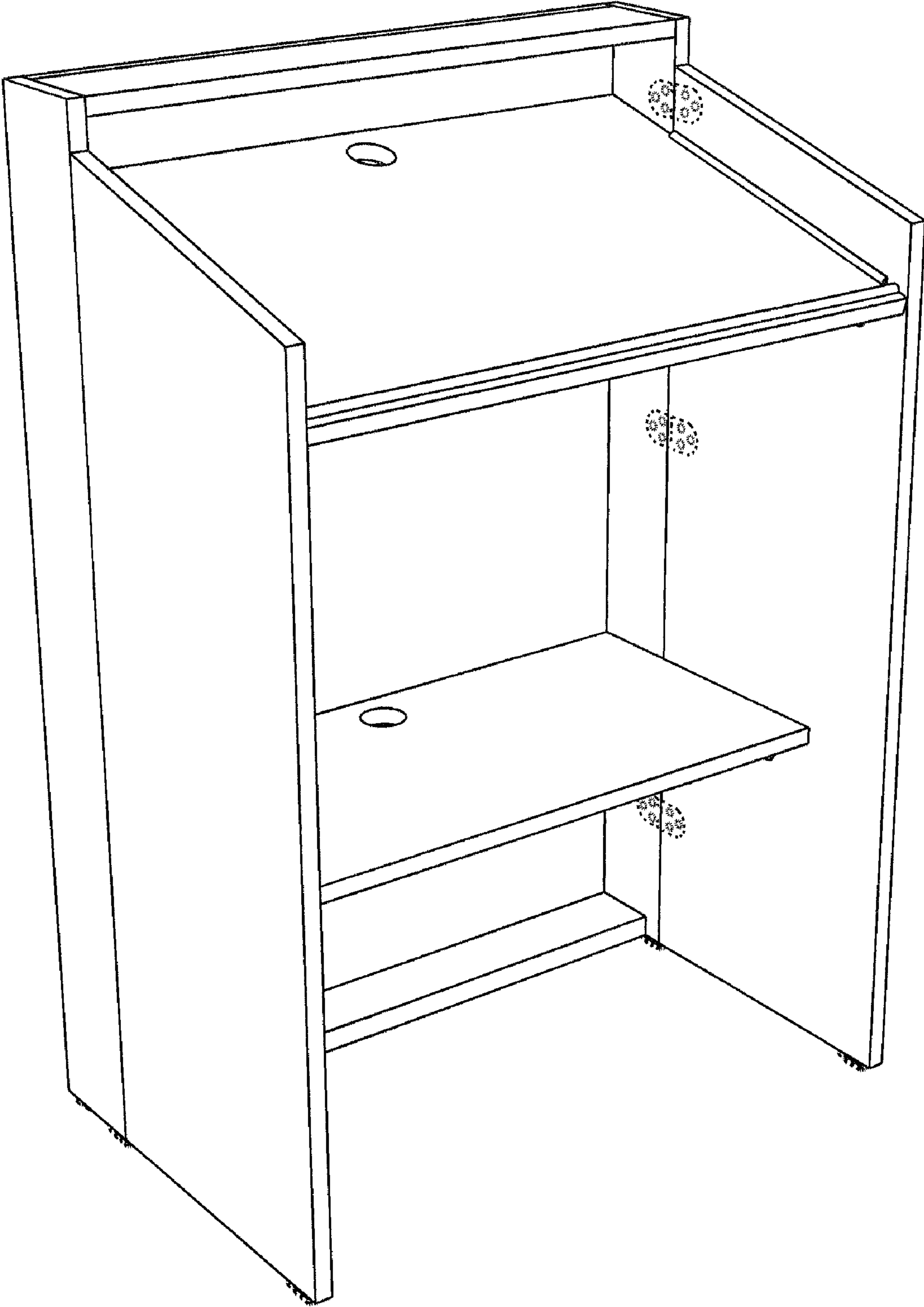


FIGURE #1

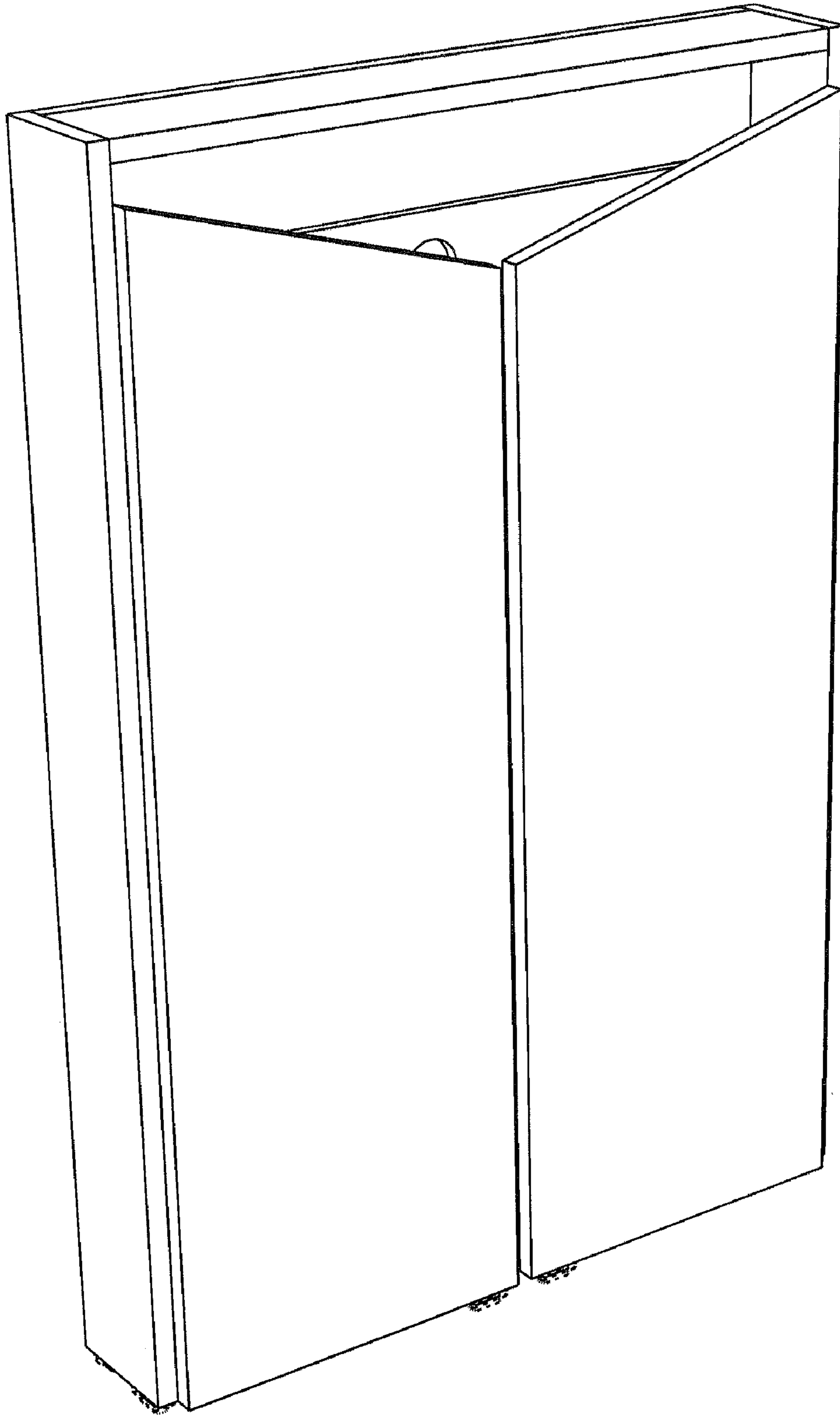


FIGURE #2

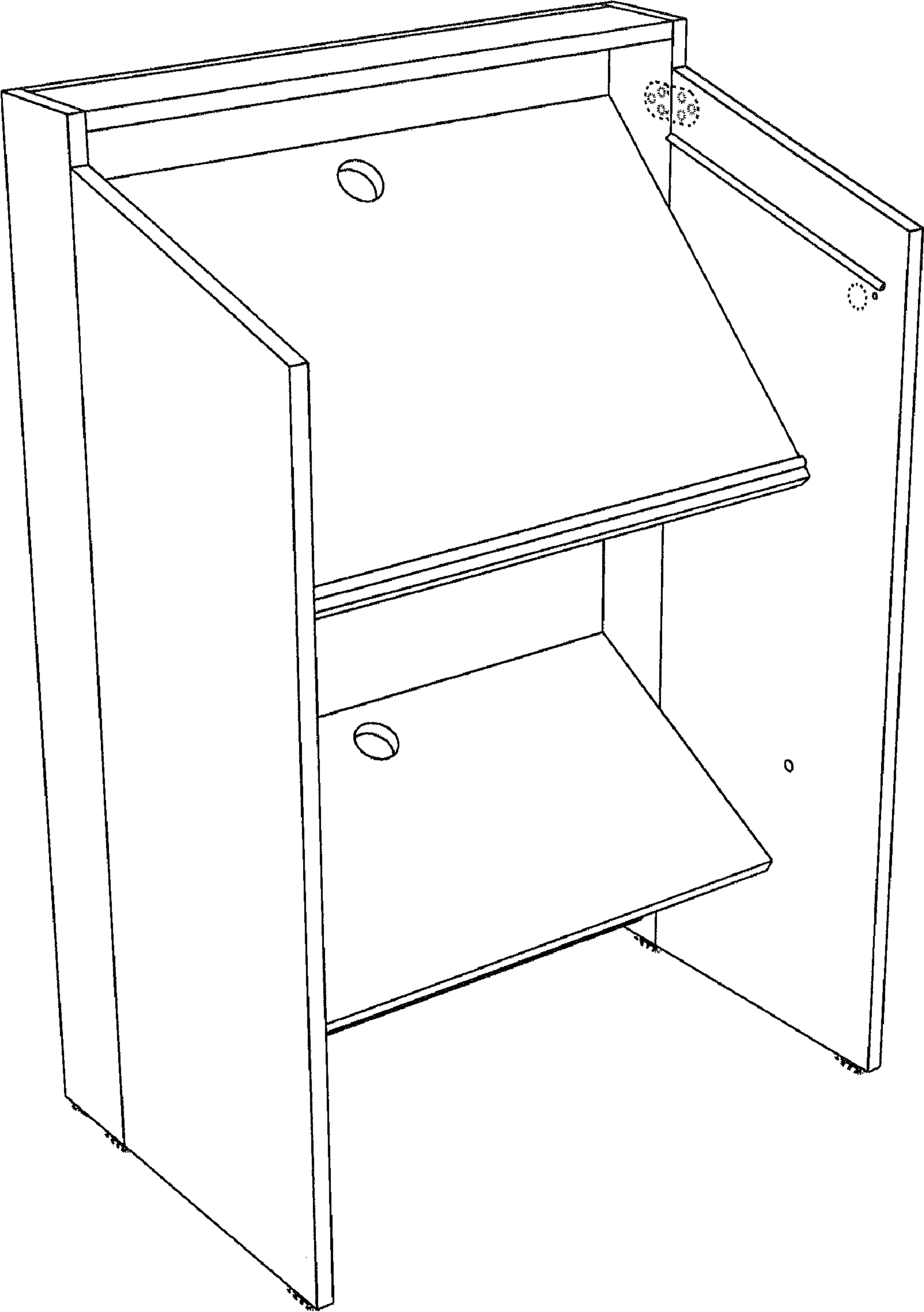


FIGURE #3

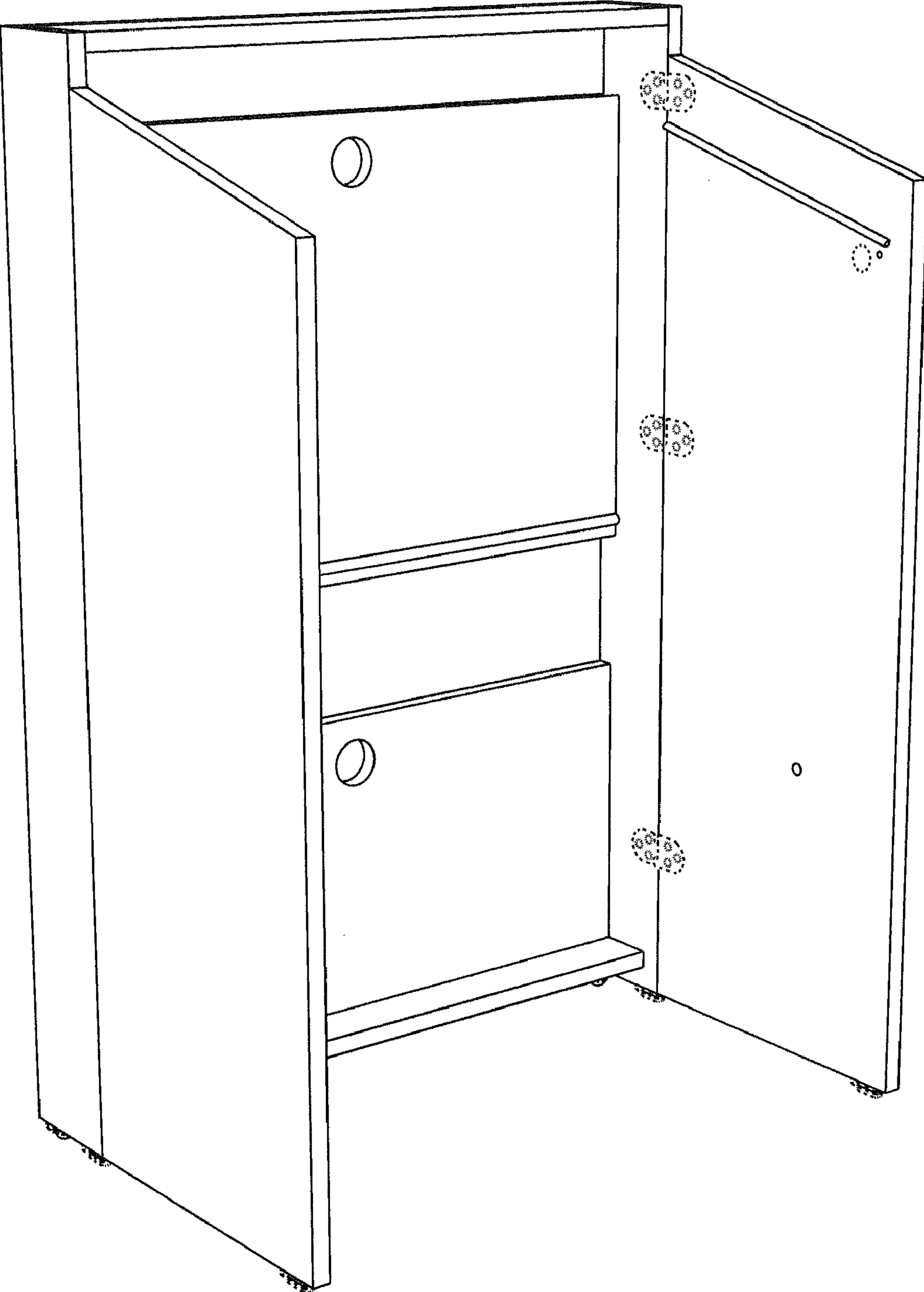


FIGURE #4

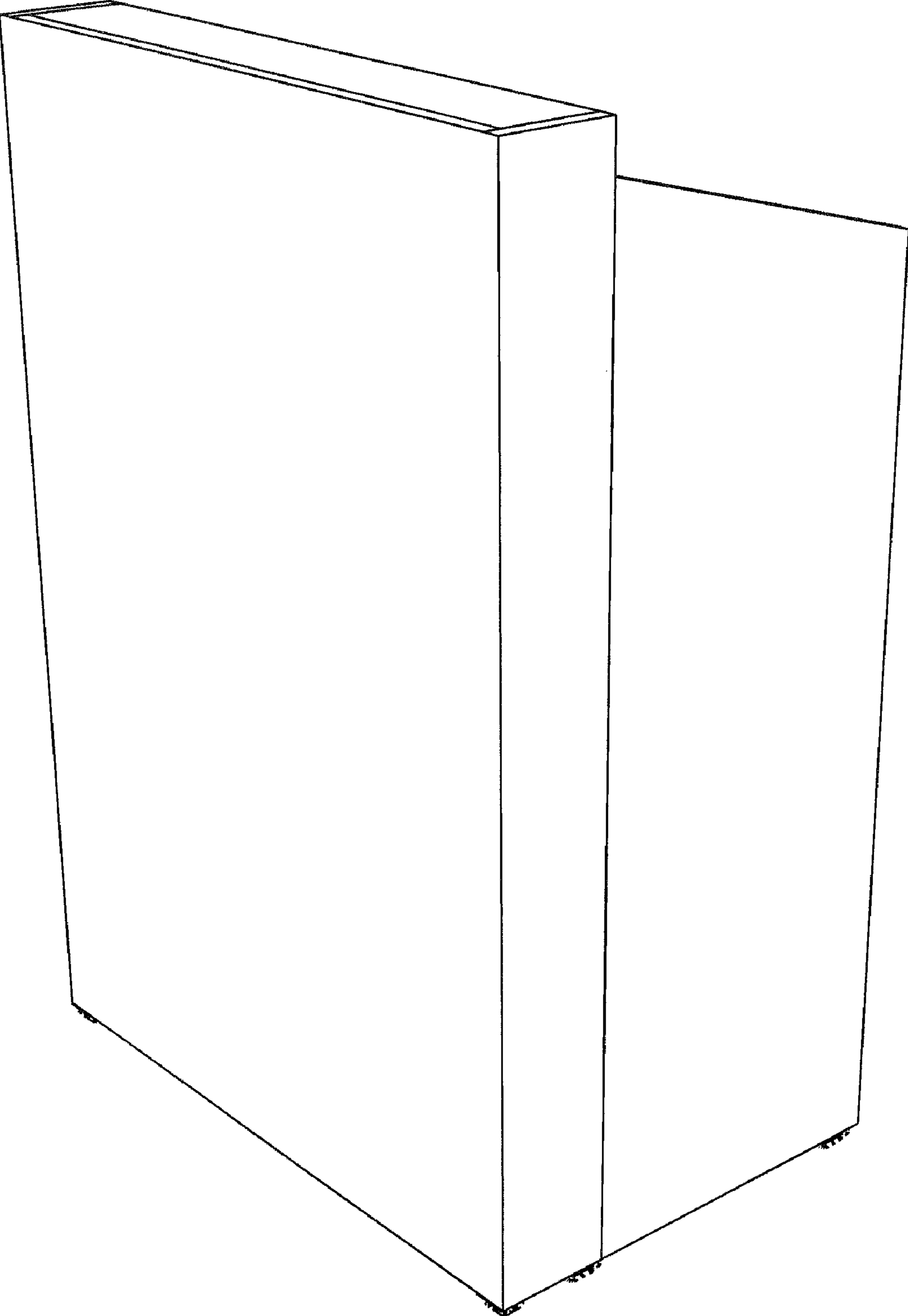


FIGURE #5

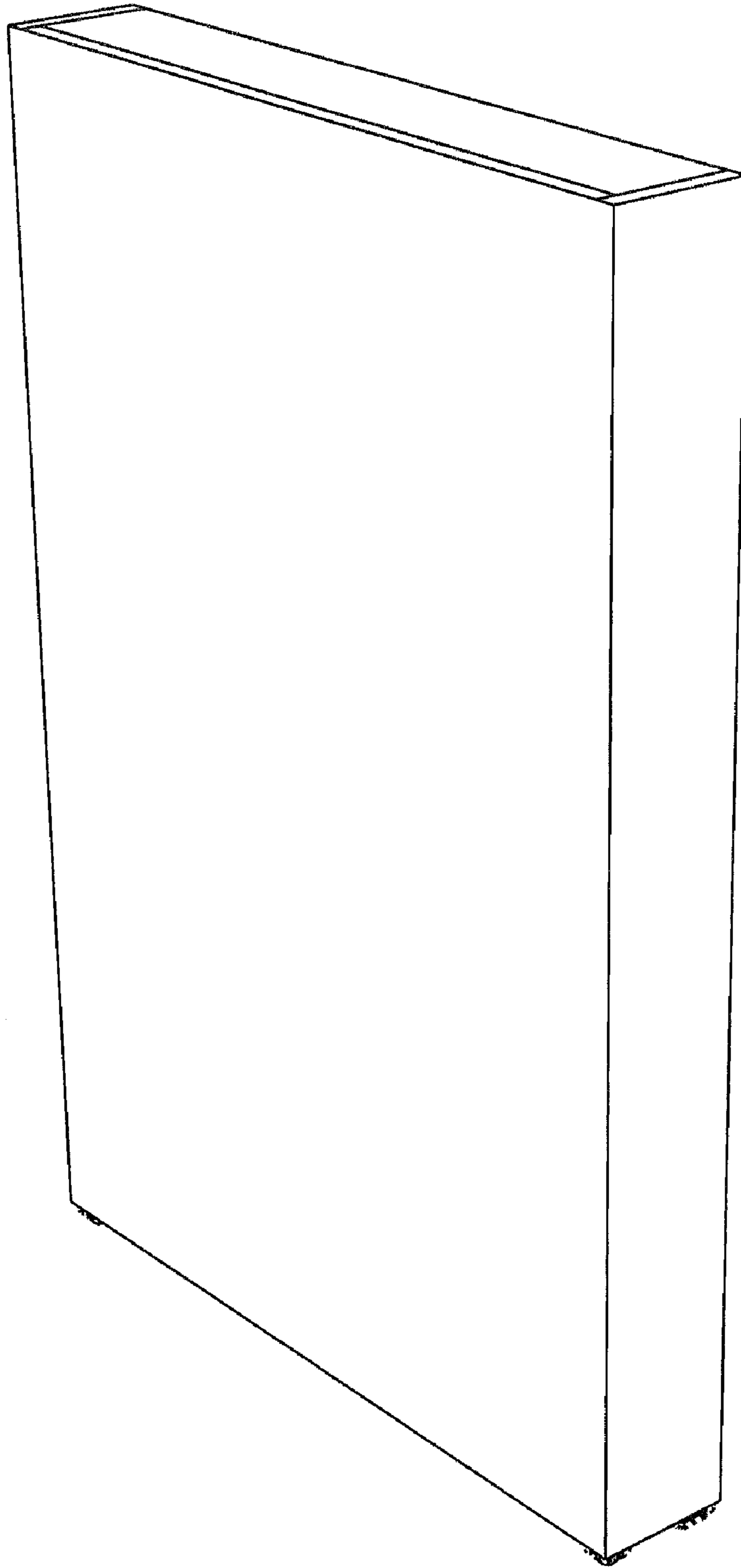


FIGURE #6

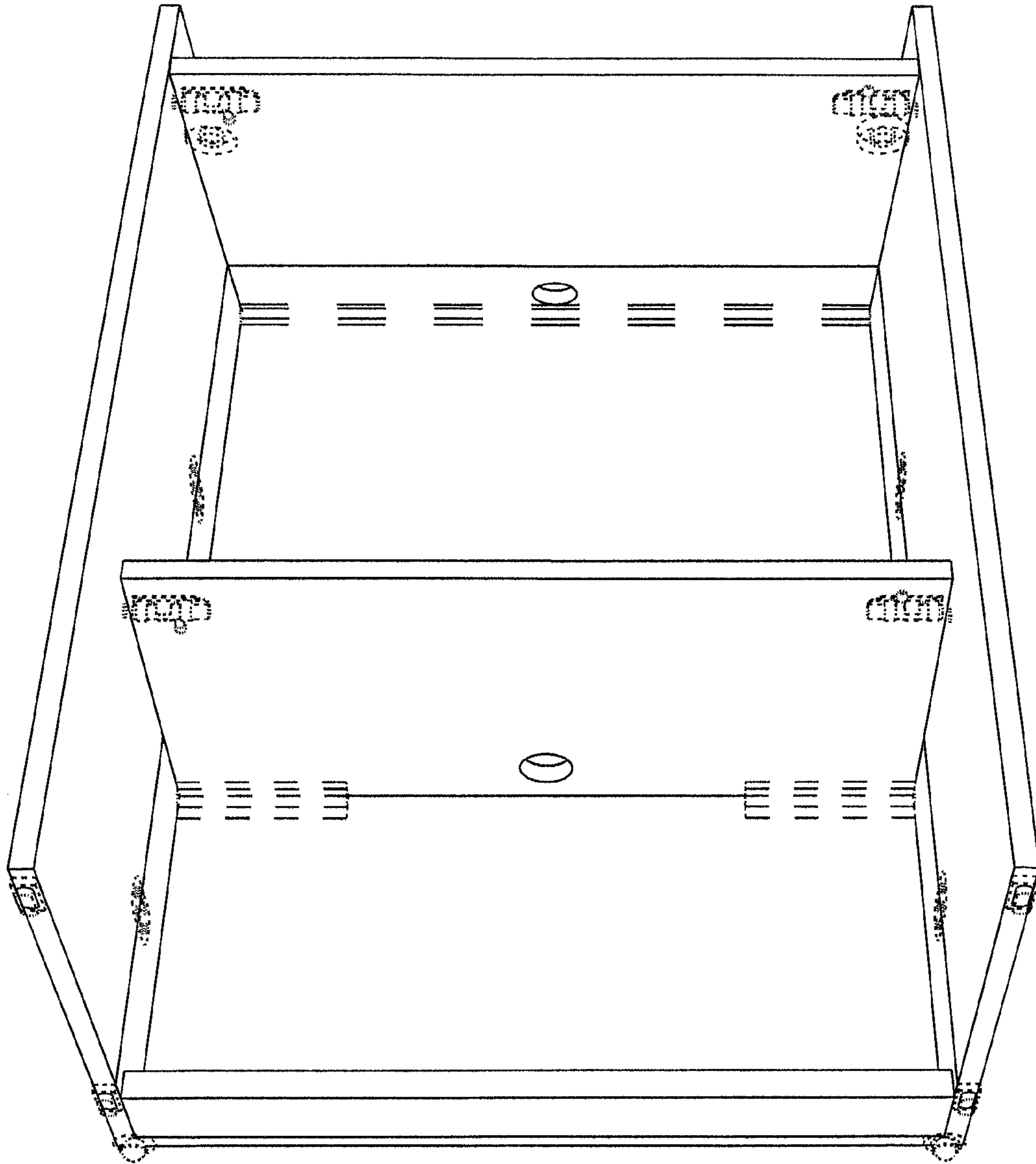


FIGURE #7