



US00D661919S

(12) **United States Design Patent**
Hester

(10) **Patent No.:** **US D661,919 S**
(45) **Date of Patent:** **** Jun. 19, 2012**

(54) **FRONT VIEWING REMOVAL SLOT
PACKAGE DISPLAY**

(76) Inventor: **Thomas F. Hester**, Ventura, CA (US)

(**) Term: **14 Years**

(21) Appl. No.: **29/370,665**

(22) Filed: **Aug. 18, 2010**

(51) **LOC (9) Cl.** **06-04**

(52) **U.S. Cl.** **D6/407**

(58) **Field of Classification Search** D6/407,
D6/510, 626-635; D9/414, 415, 418, 420,
D9/422-426, 428, 432-433; D19/26-27;
206/307, 307.1, 308.1, 309-313, 308.2, 308.3,
206/445, 387.15, 749, 751; D3/201, 218,
D3/270, 273, 294, 295, 299-301, 303-304;
312/9.1, 902, 9.9, 9.48, 9.55, 9.64, 9.47,
312/9.53; D14/478-479

See application file for complete search history.

(56) **References Cited**

U.S. PATENT DOCUMENTS

D70,576 S *	7/1926	Pieper	D9/415
D124,610 S *	1/1941	Norton	D9/418
D202,453 S *	9/1965	Engel	D6/407
3,495,716 A *	2/1970	Gregory	211/4
D252,835 S *	9/1979	Meille	D6/627
D260,323 S *	8/1981	Johnson	D6/407
4,586,603 A *	5/1986	Long et al.	206/753
D292,965 S *	12/1987	Fein	D9/418
D294,805 S *	3/1988	Boyer	D9/415
D319,359 S *	8/1991	Turley	D6/407
D328,972 S *	9/1992	Lunn	D6/407
D333,610 S *	3/1993	Oshry et al.	D9/703
D341,738 S *	11/1993	Balanesi	D6/515
D350,124 S *	8/1994	Nakaizumi	D6/407
D369,105 S *	4/1996	Baker et al.	D6/634
5,522,500 A *	6/1996	Mori	206/308.1
D379,048 S *	5/1997	Ros et al.	D6/634
D382,758 S *	8/1997	Iribe	D6/634
D387,976 S *	12/1997	Mori	D6/634
D392,952 S *	3/1998	Nakaizumi	D6/407
D394,383 S *	5/1998	Bradfield	D9/416

5,803,250 A *	9/1998	Mori	206/308.1
5,823,333 A *	10/1998	Mori	206/308.1
D405,007 S *	2/1999	Naas, Sr.	D9/414
D417,812 S *	12/1999	Rubin	D6/632
D417,974 S *	12/1999	Mori	D6/407
D419,358 S *	1/2000	Marcon	D6/626
D431,775 S *	10/2000	Plattner et al.	D9/415
6,409,027 B1	6/2002	Chang et al.	211/59.3
D461,126 S *	8/2002	Decello et al.	D9/432
D473,377 S *	4/2003	Chandaria	D3/304
D477,914 S *	8/2003	Chandaria	D3/304
D485,112 S *	1/2004	Ballantine et al.	D6/626
6,769,552 B1	8/2004	Thalenfeld	211/59.3
D495,951 S *	9/2004	Miller	D9/418
6,805,249 B1	10/2004	Houle	211/40
D514,365 S *	2/2006	Ballantine	D6/626
D514,366 S *	2/2006	Gaestel	D6/630
7,017,778 B2	3/2006	Halbherr	221/34
D545,188 S *	6/2007	Billig et al.	D9/432
D554,928 S *	11/2007	Chen	D6/627
D578,385 S *	10/2008	Ancona	D9/423
7,431,163 B2 *	10/2008	Andersen	206/736

(Continued)

Primary Examiner — T. Chase Nelson

(74) Attorney, Agent, or Firm — Keisling & Pieper PLC;
David B. Pieper

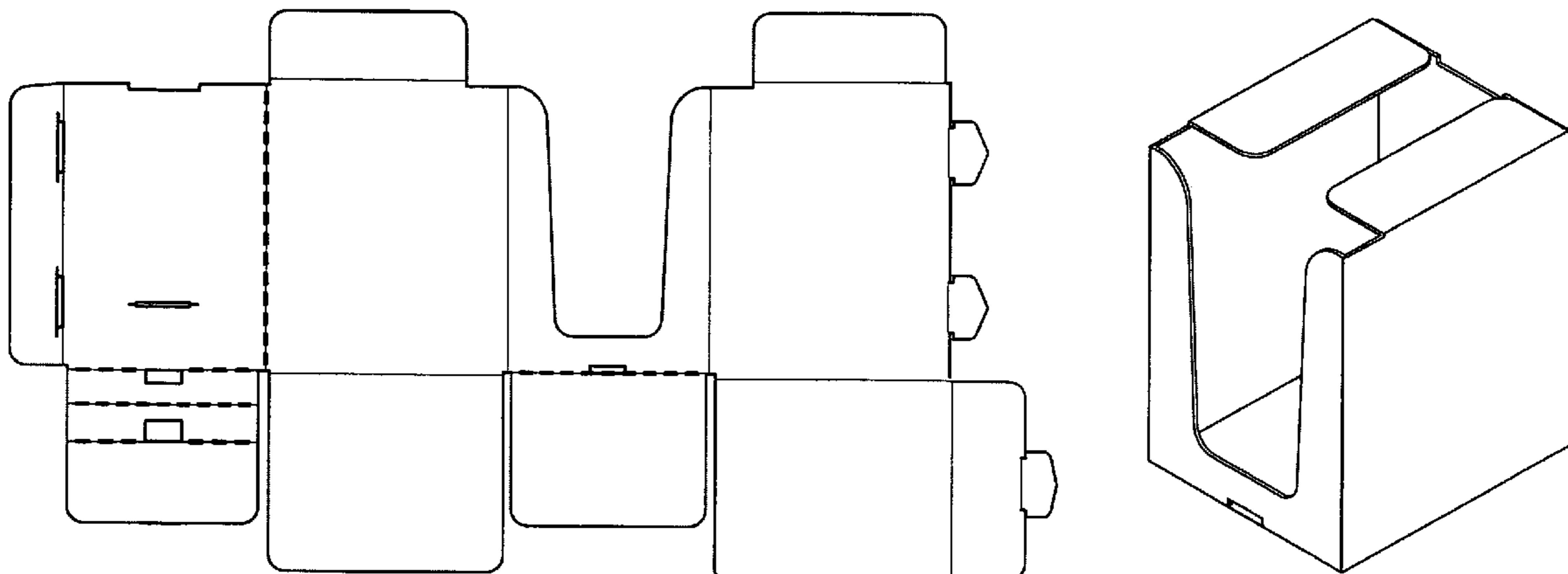
(57) **CLAIM**

The ornamental design for a front viewing removal slot package display, as shown and described.

DESCRIPTION

FIG. 1 is an unfolded view of a front viewing removal slot package display showing my new design;
FIG. 2 is a perspective view thereof;
FIG. 3 is a cutaway perspective view showing internal features viewable through the open apertures.
FIG. 4 is a front view thereof; and,
FIG. 5 is a back view thereof;
FIG. 6 is a left side view thereof;
FIG. 7 is a right side view thereof;
FIG. 8 is a top view thereof; and,
FIG. 9 is a bottom view thereof.

1 Claim, 2 Drawing Sheets



US D661,919 S

Page 2

U.S. PATENT DOCUMENTS

D582,264	S	*	12/2008	Snyder	D9/423
7,559,437	B2		7/2009	Colelli et al.	221/312
D600,940	S	*	9/2009	Eliaš et al.	D6/407
D602,351	S	*	10/2009	Toinet et al.	D9/423
D607,717	S	*	1/2010	Hodges	D9/423
D610,000	S	*	2/2010	Schantz	D9/418
D618,544	S	*	6/2010	Collins	D9/420
D618,545	S	*	6/2010	Toinet et al.	D9/423
D619,454	S	*	7/2010	Fluegel et al.	D9/423
D624,401	S	*	9/2010	Friedman et al.	D9/423
D625,179	S	*	10/2010	Gibson	D9/423
D647,395	S	*	10/2011	Mitten et al.	D9/420
2002/0153265	A1	*	10/2002	Leung et al.	206/232

* cited by examiner

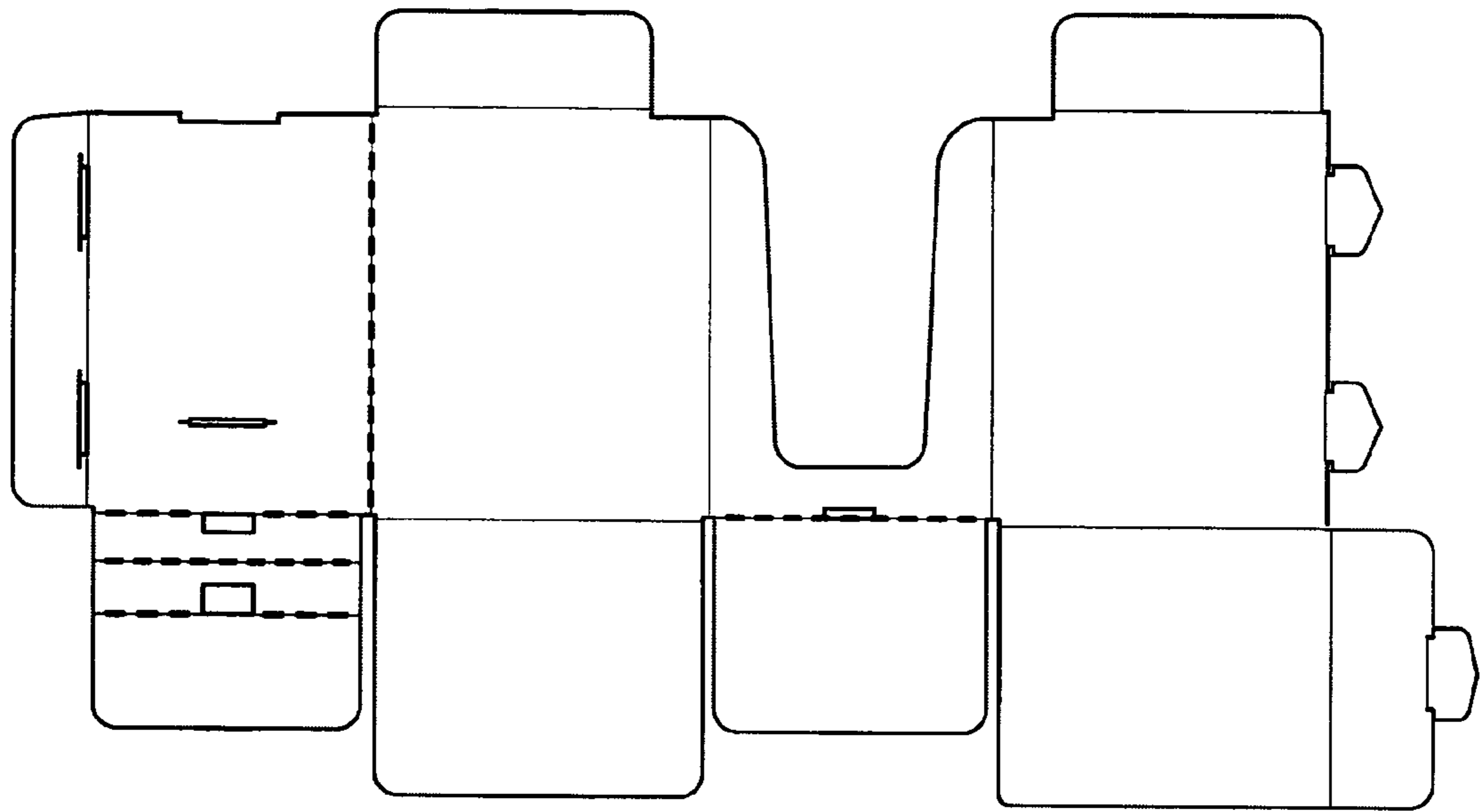


FIG. 1

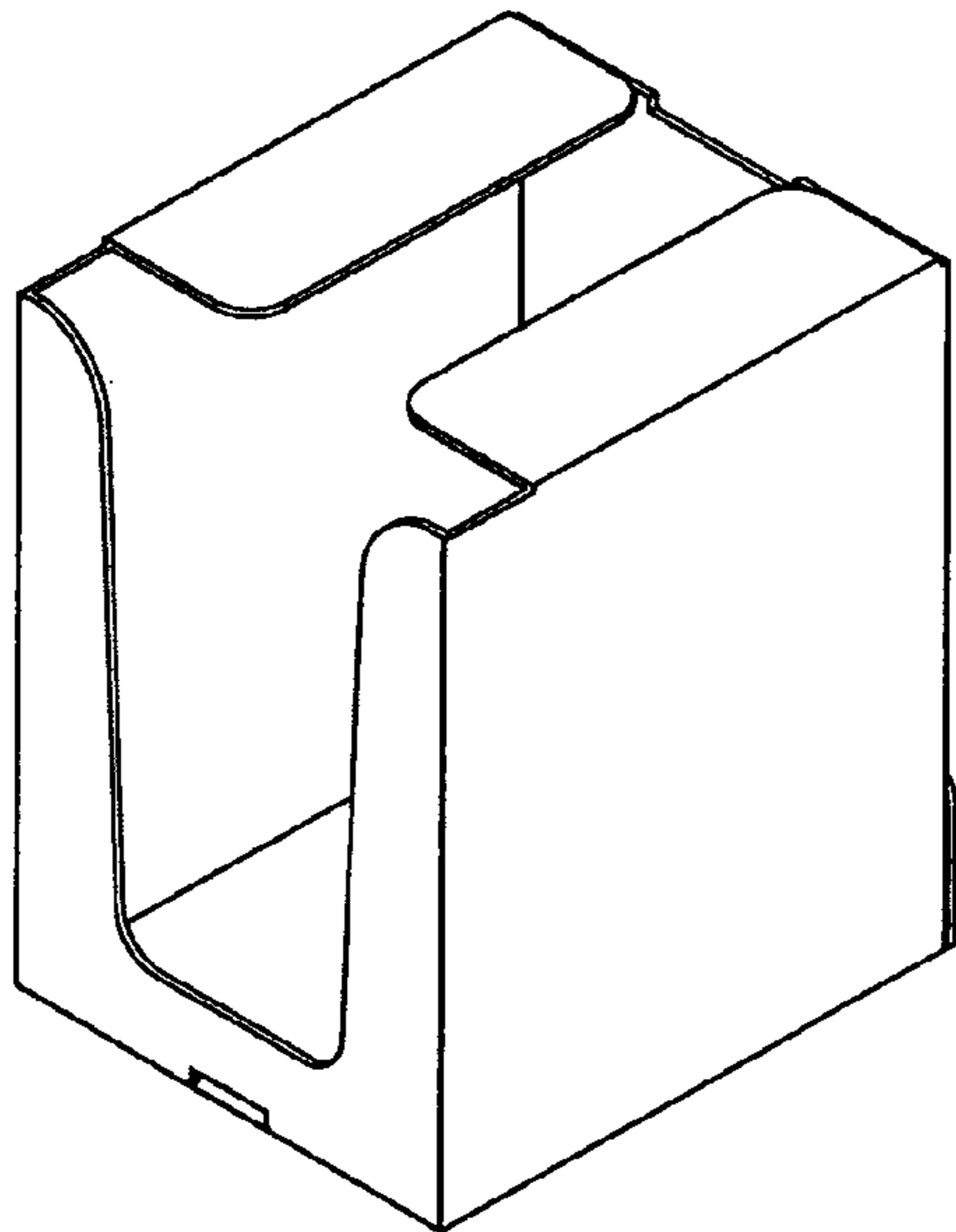


FIG. 2

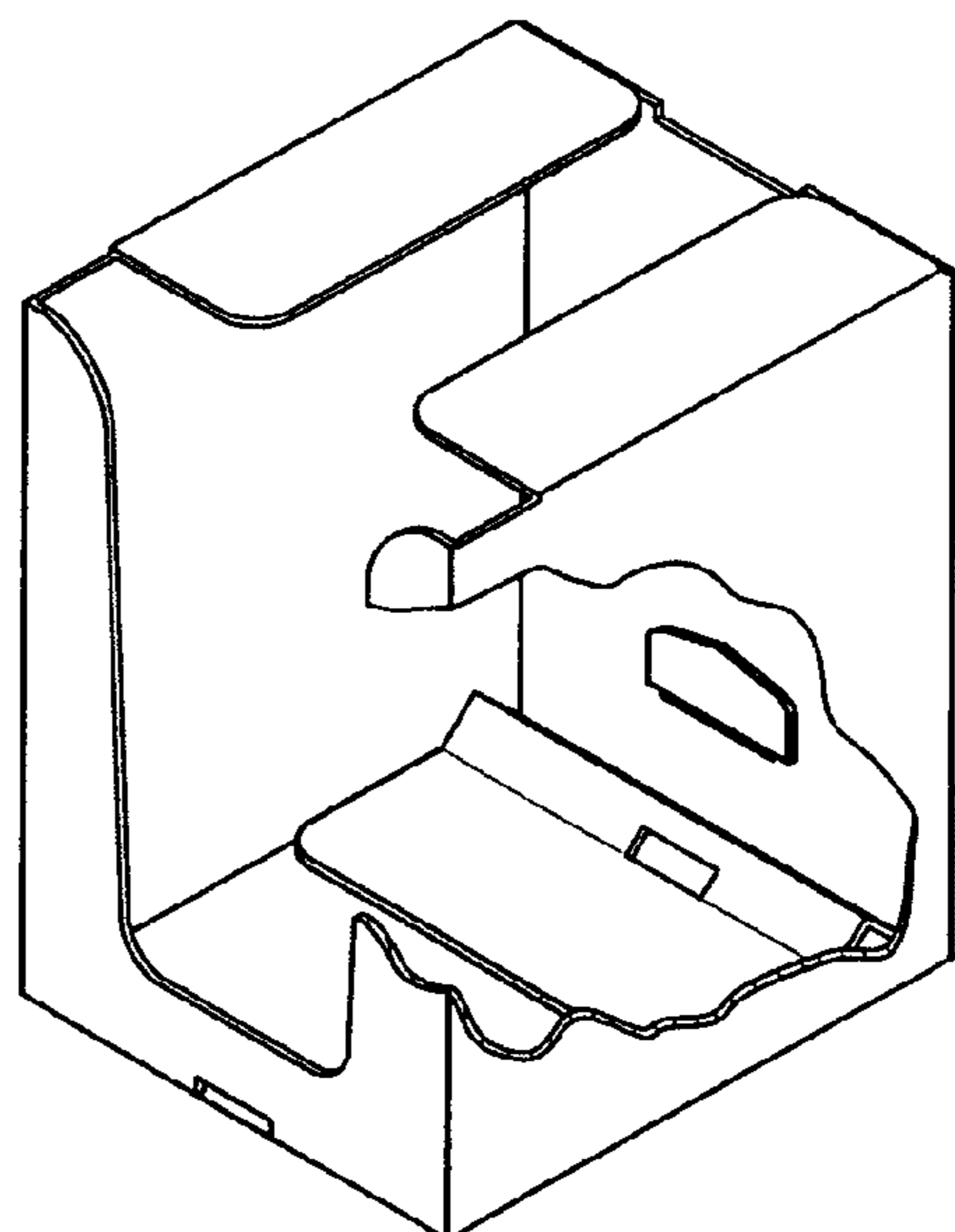


FIG. 3

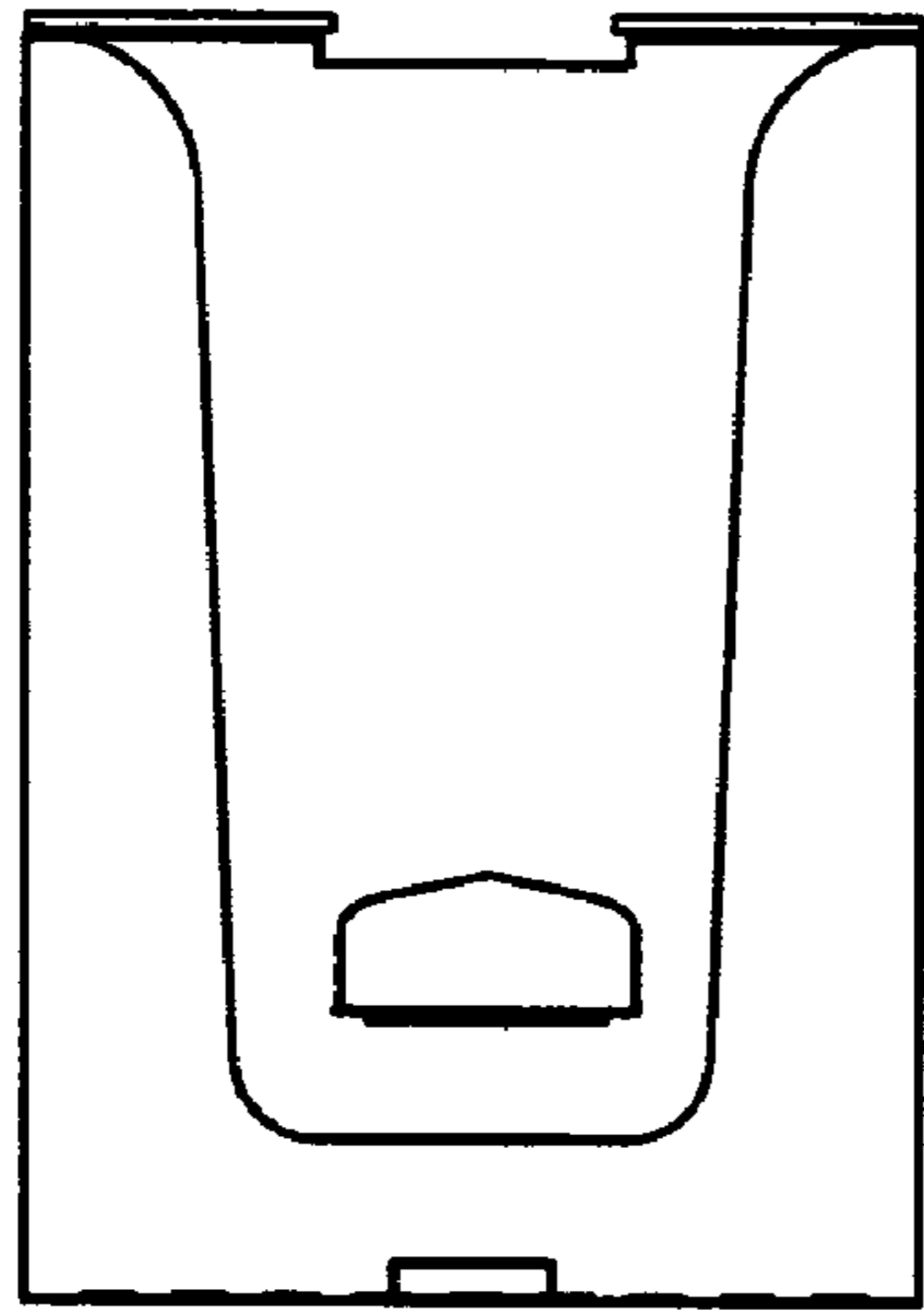


FIG. 4

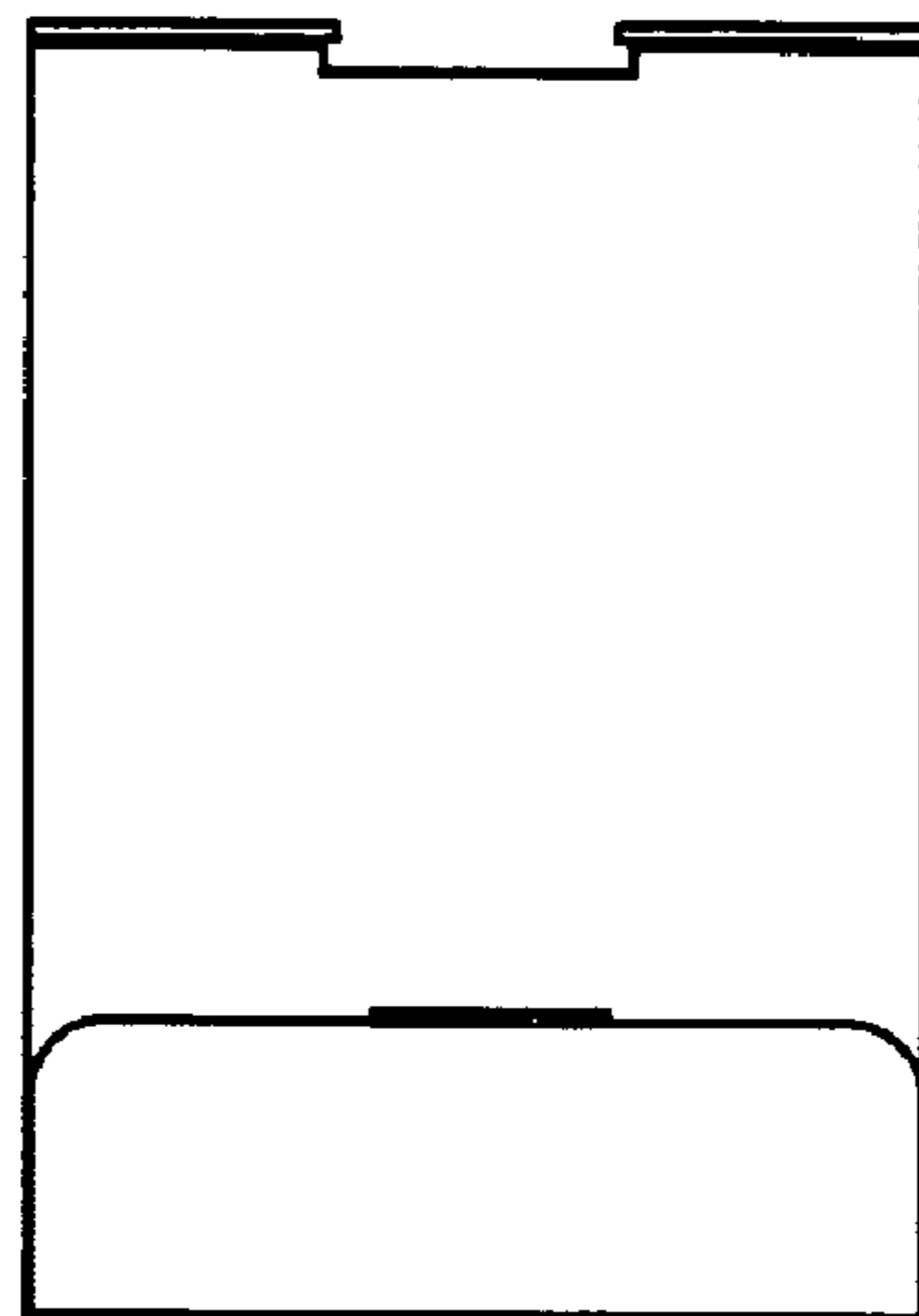


FIG. 5

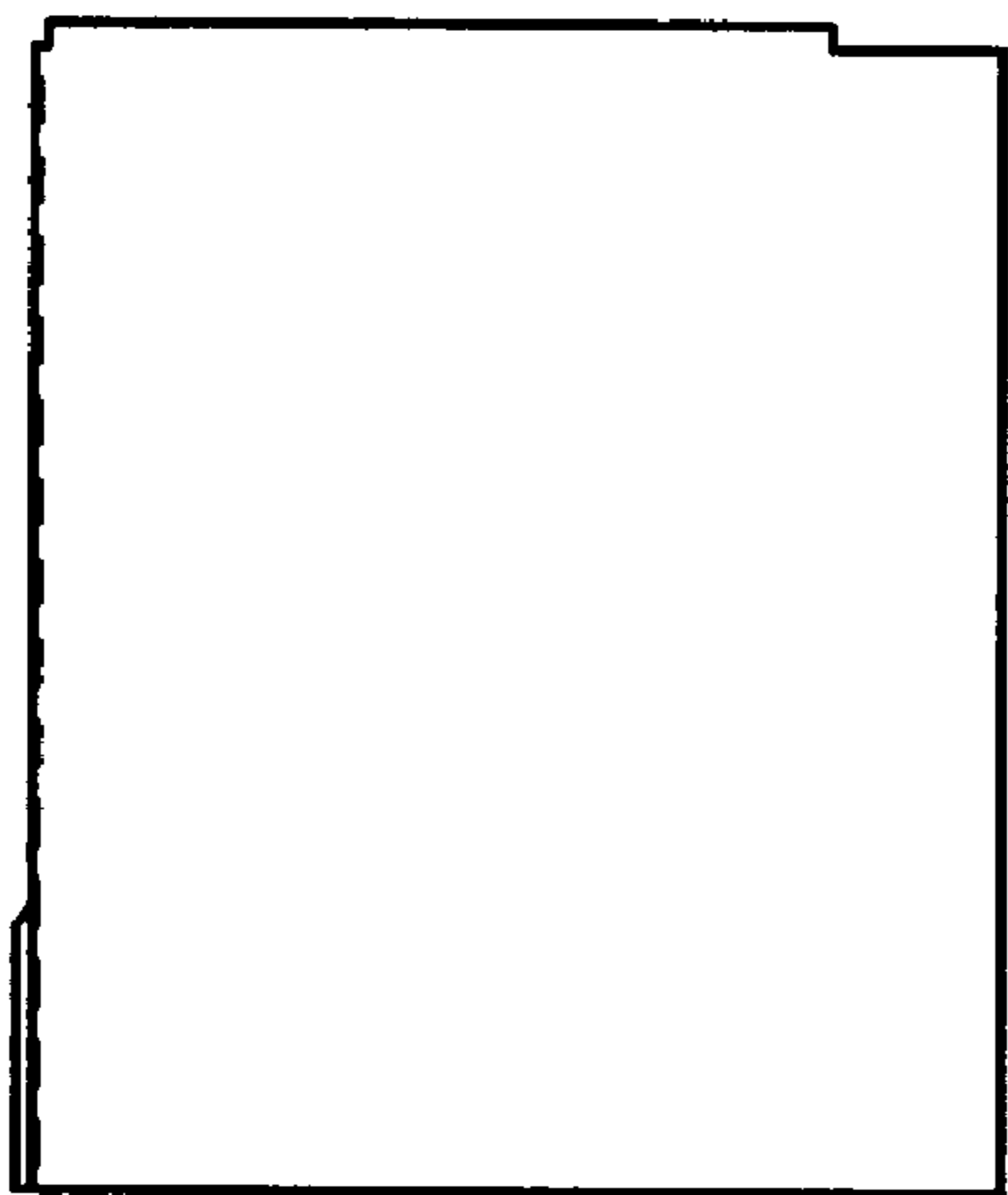


FIG. 6

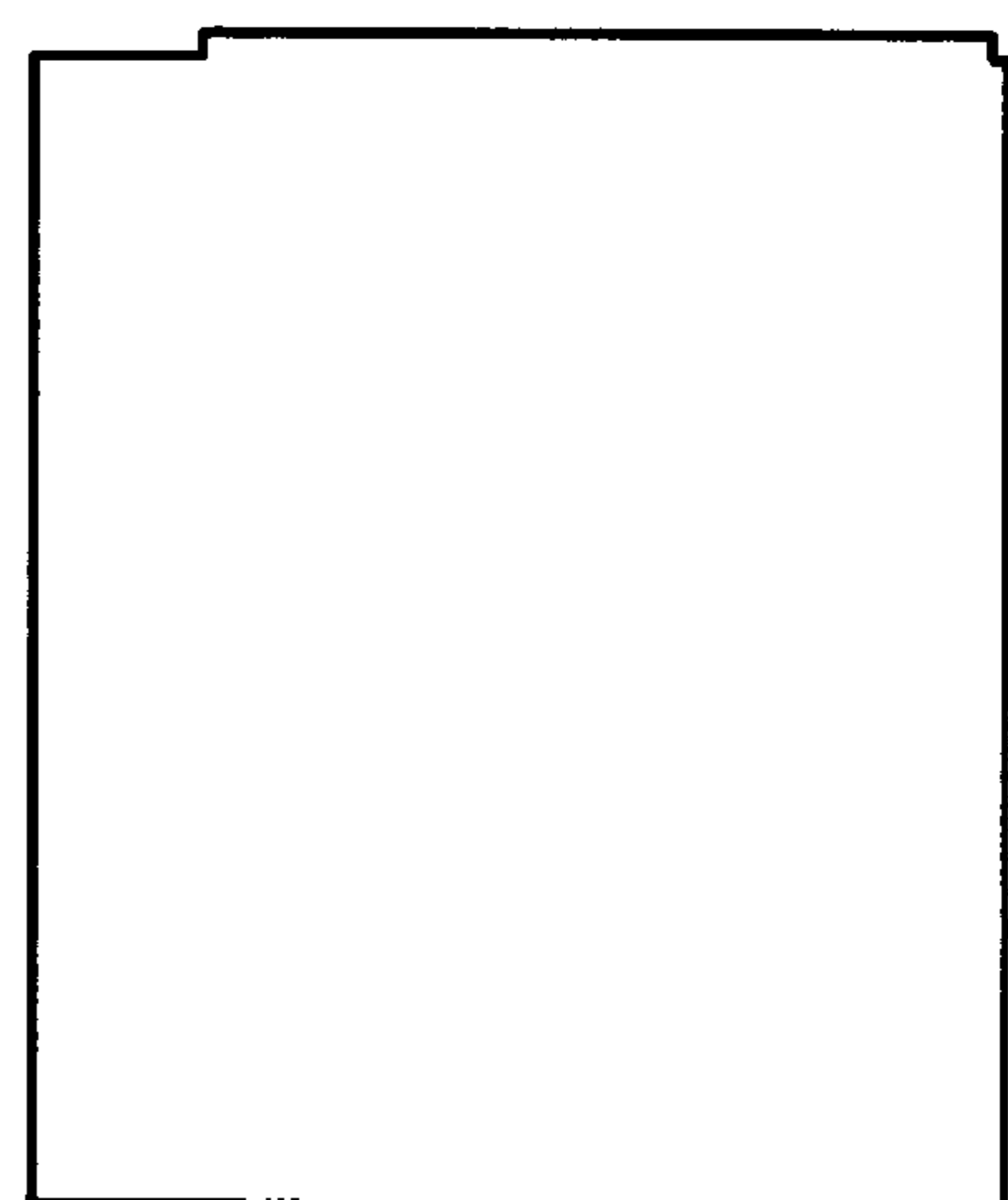


FIG. 7

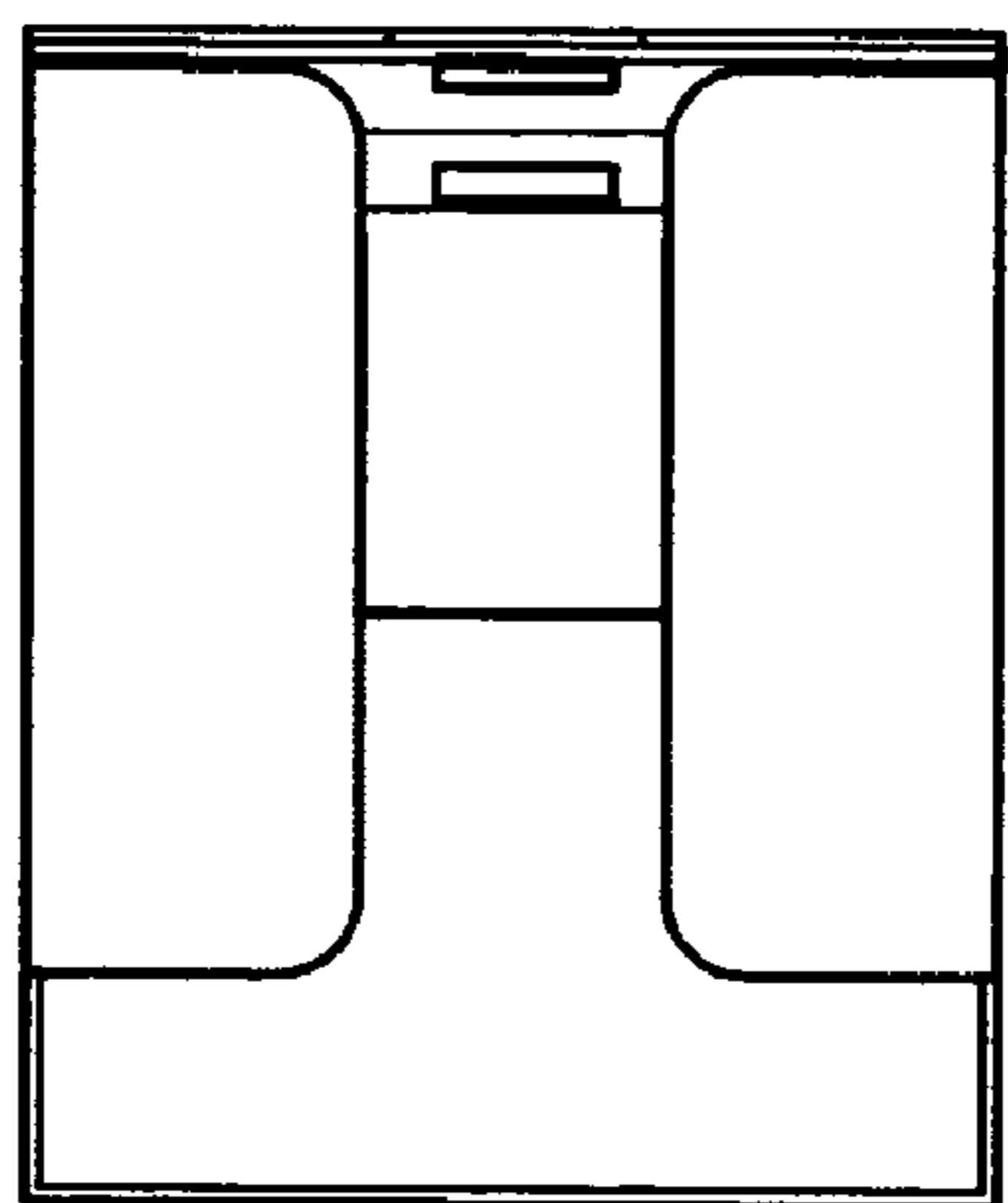


FIG. 8

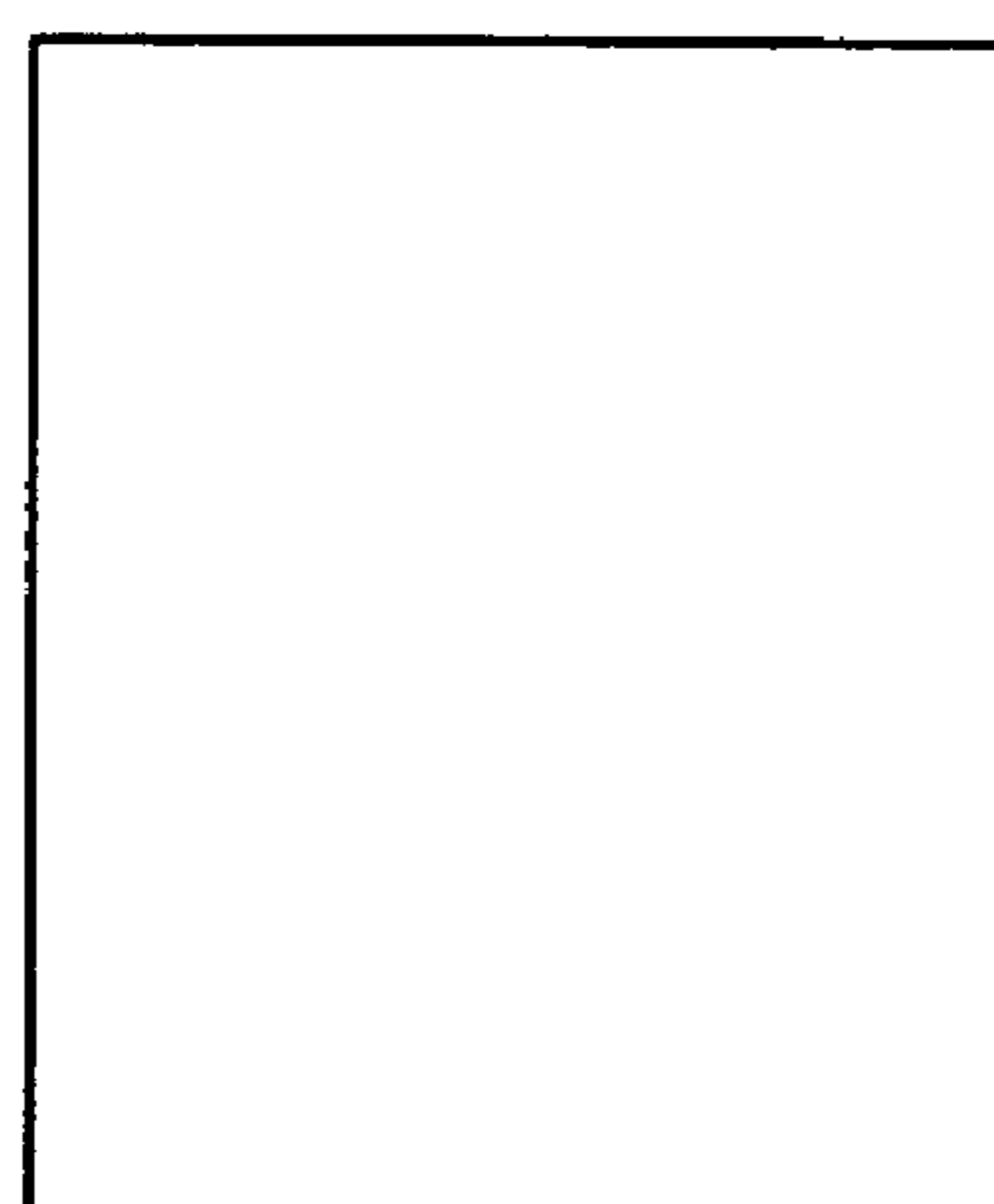


FIG. 9