



US00D661916S

(12) **United States Design Patent**
Chen

(10) **Patent No.:** **US D661,916 S**
(45) **Date of Patent:** **** Jun. 19, 2012**

(54) **OFFICE CHAIR**

(76) Inventor: **Ching-Ming Chen**, Taoyuan County
(TW)

(**) Term: **14 Years**

(21) Appl. No.: **29/383,412**

(22) Filed: **Jan. 18, 2011**

(51) **LOC (9) Cl.** **06-01**

(52) **U.S. Cl.** **D6/366**

(58) **Field of Classification Search** D6/334-336,
D6/364, 365, 366, 367, 369, 374, 379, 380,
D6/498, 500-502; 297/284.4, 391, 396,
297/411.27, 452.13, 452.21, 452.29, 452.3,
297/452.46, 452.56, 452.64

See application file for complete search history.

(56) **References Cited**

U.S. PATENT DOCUMENTS

D436,456 S *	1/2001	Neil	D6/366
D501,333 S *	2/2005	Piretti	D6/366
D507,124 S *	7/2005	Yang	D6/366
D510,671 S *	10/2005	Wu	D6/502
D543,717 S *	6/2007	Chen	D6/366

D548,994 S *	8/2007	Mao et al.	D6/366
D552,857 S *	10/2007	Wang	D6/366
D557,024 S *	12/2007	Chen	D6/366
D585,205 S *	1/2009	Wen	D6/366
D610,822 S *	3/2010	Chen	D6/366
D641,572 S *	7/2011	Tsai	D6/502
D645,684 S *	9/2011	Chen	D6/502

* cited by examiner

Primary Examiner — Mimosa De

(74) *Attorney, Agent, or Firm* — Rosenberg, Klein & Lee

(57) **CLAIM**

The ornamental design for an office chair, as shown and described.

DESCRIPTION

FIG. 1 is a rear left perspective view of an office chair showing my new design;

FIG. 2 is a front left perspective view thereof;

FIG. 3 is a front elevational view thereof;

FIG. 4 is a rear elevational view thereof;

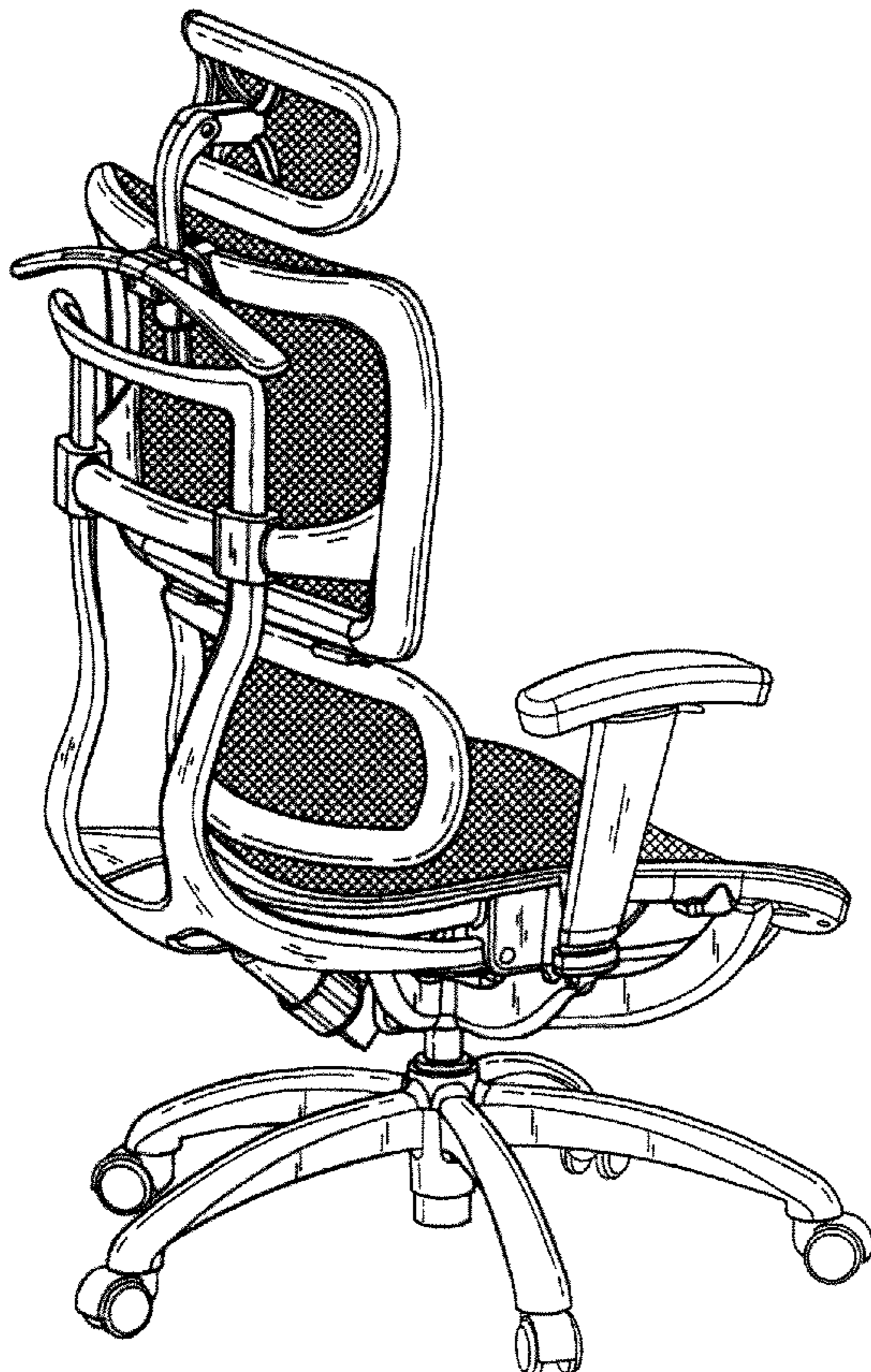
FIG. 5 is a left side elevational view thereof;

FIG. 6 is a right side elevational view thereof;

FIG. 7 is a top plan view thereof; and,

FIG. 8 is a bottom plan view thereof.

1 Claim, 7 Drawing Sheets



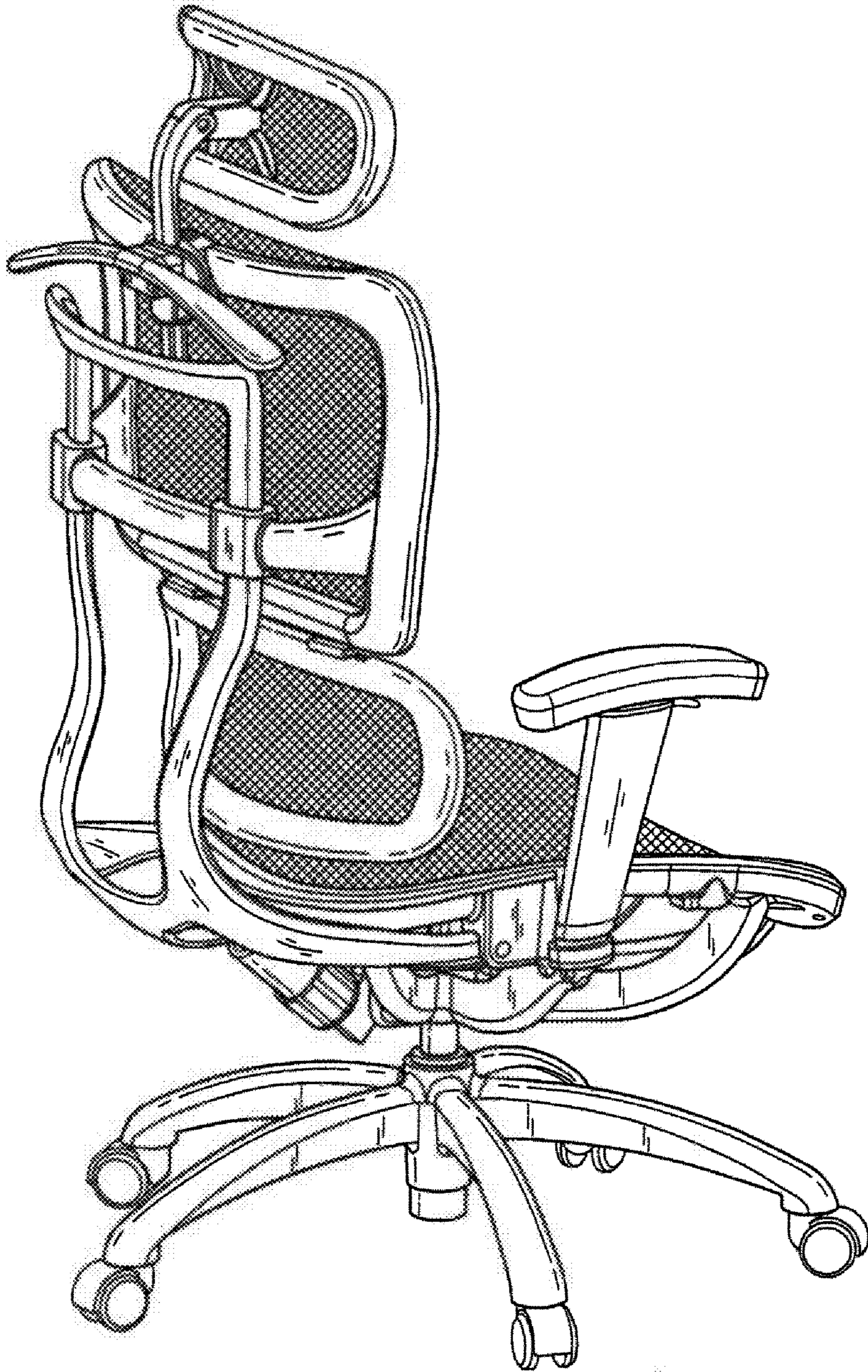


FIG. 1



FIG.2

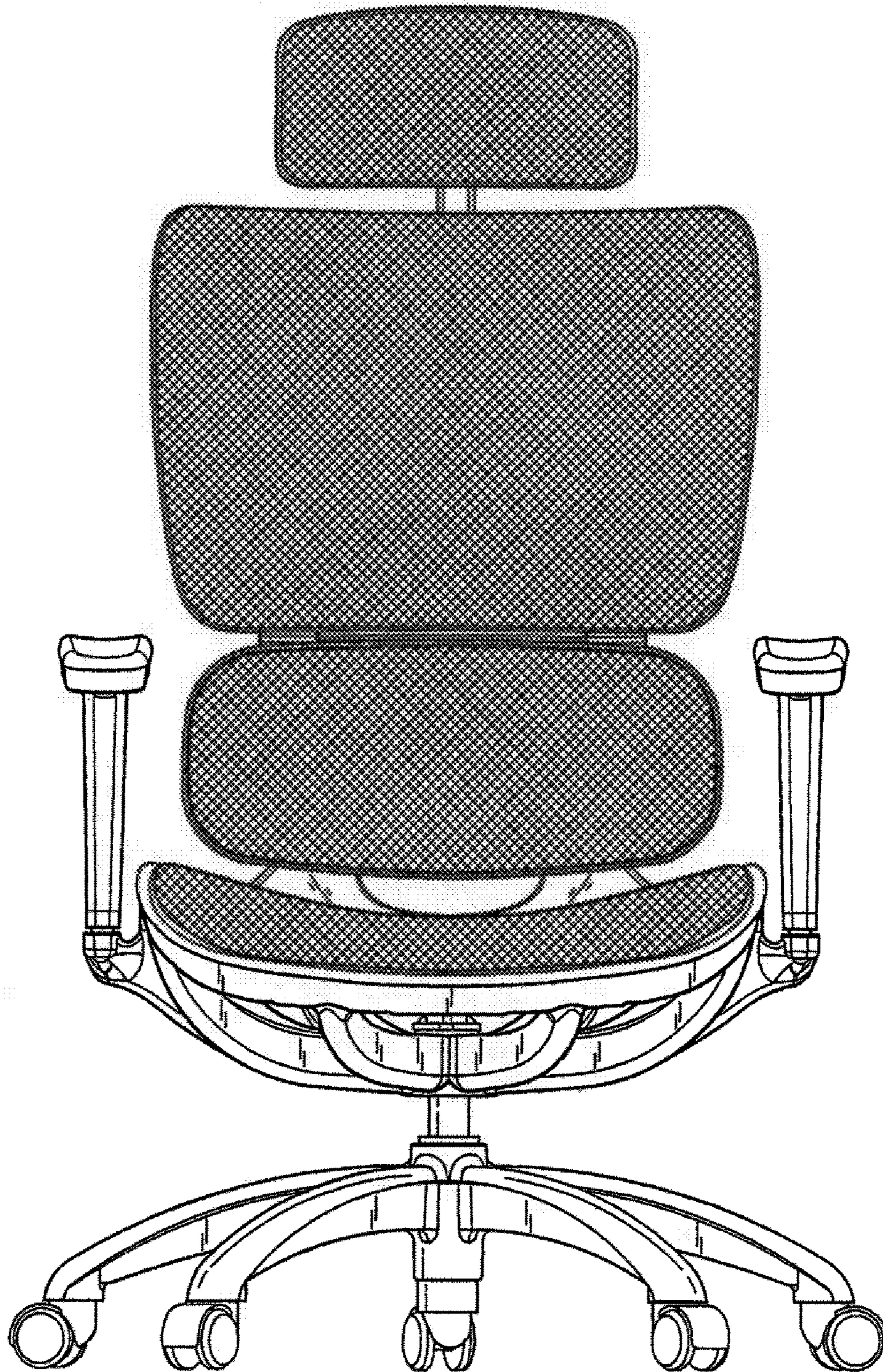


FIG. 3

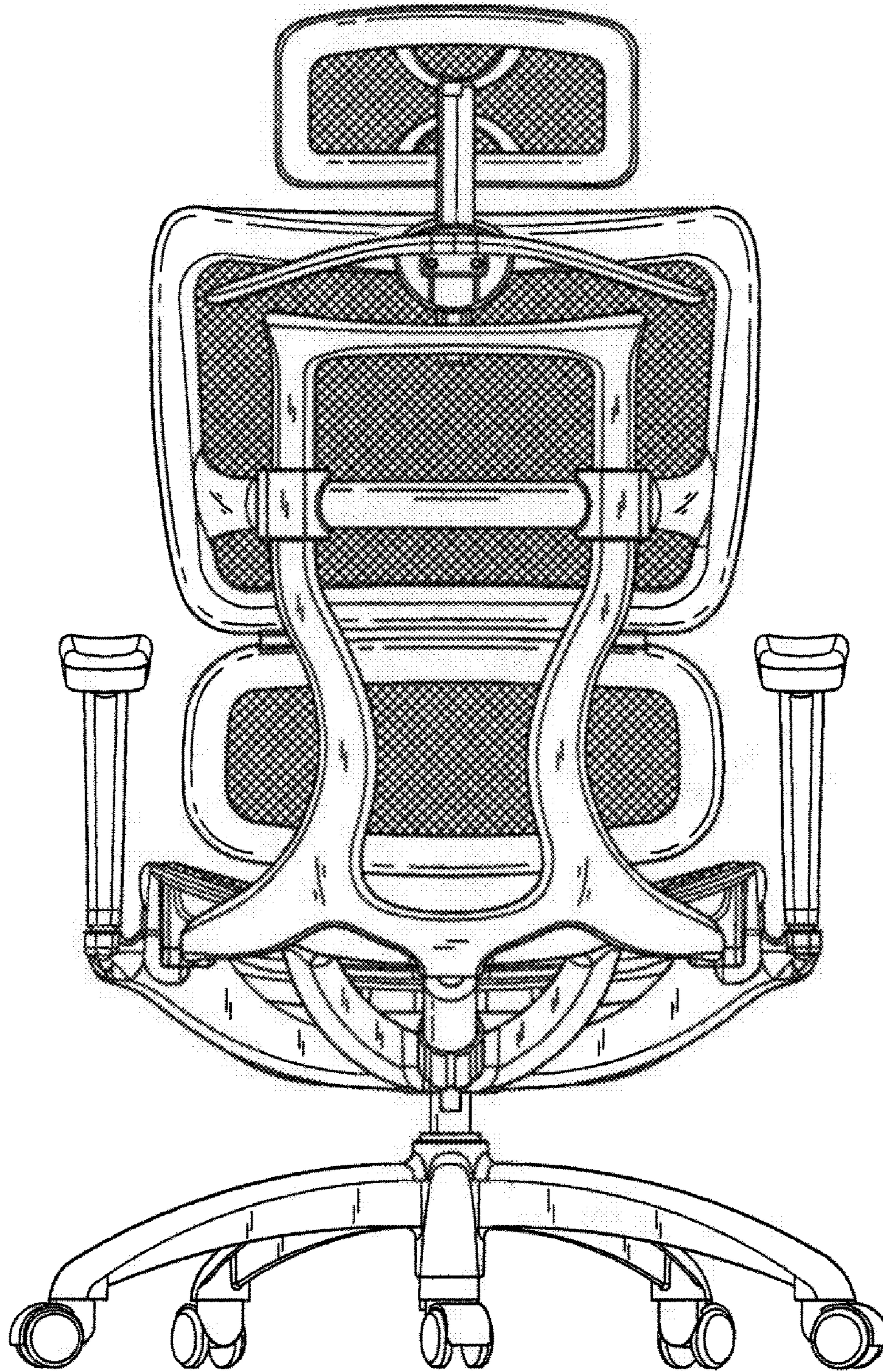


FIG.4

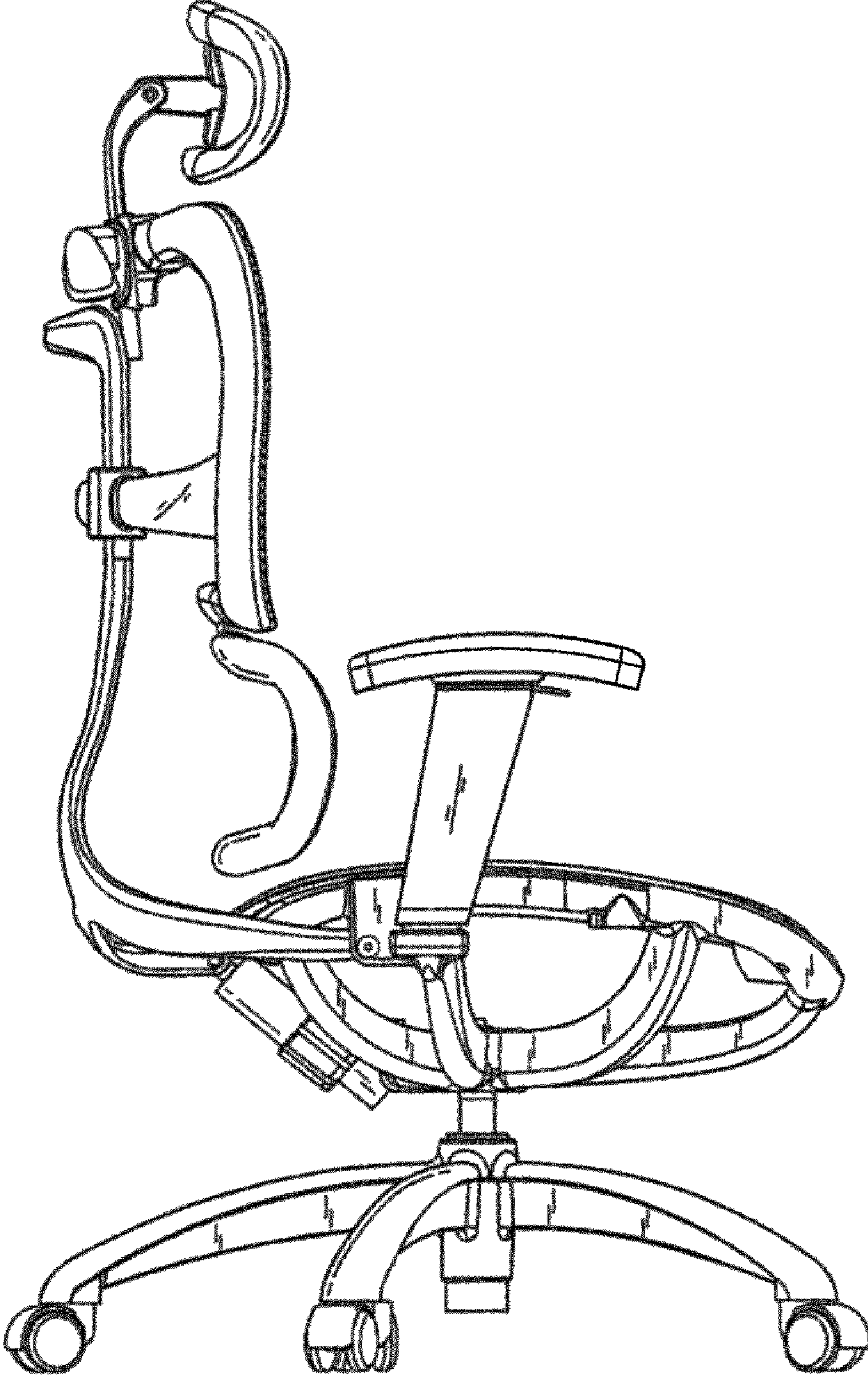


FIG.5

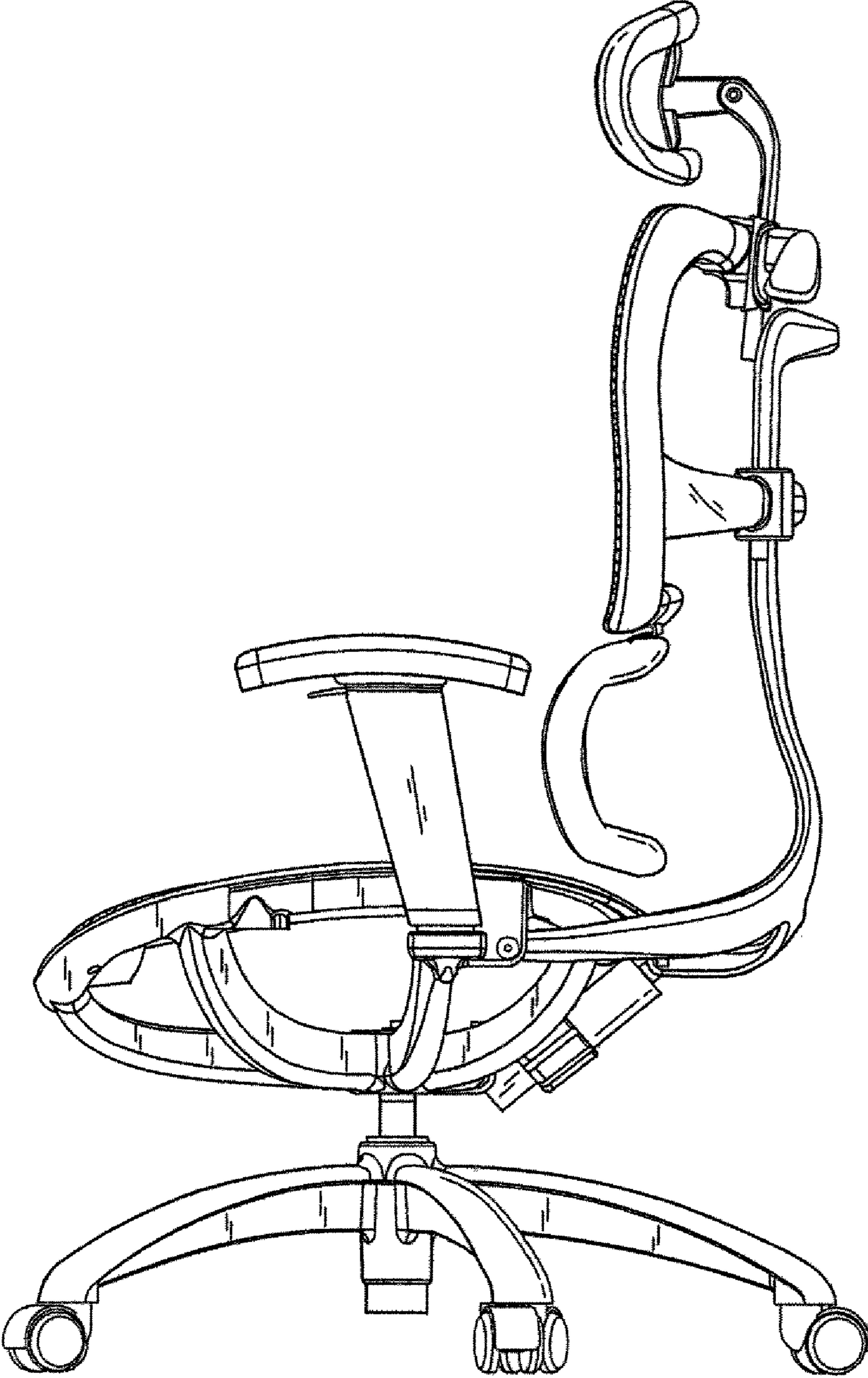


FIG. 6

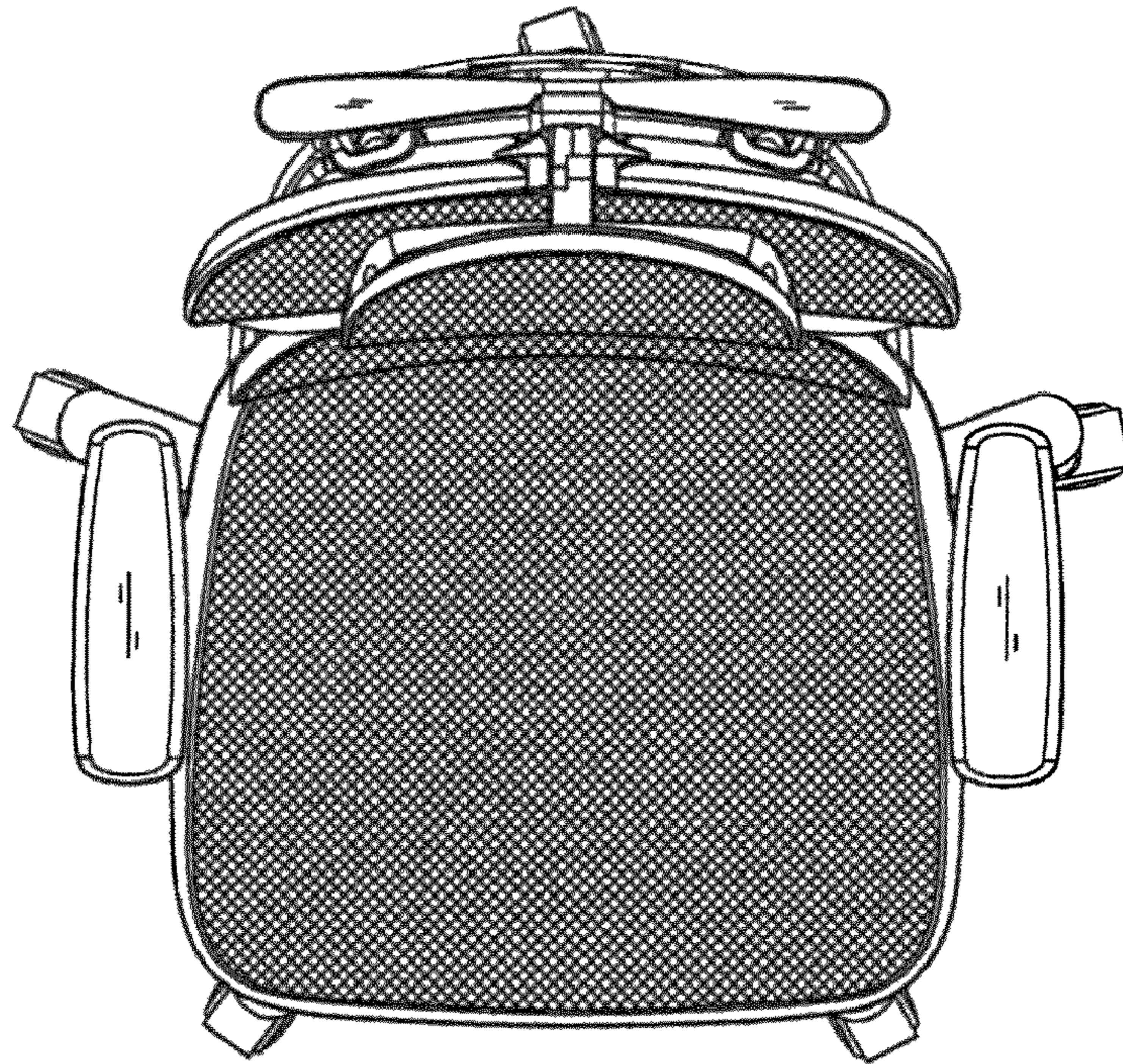


FIG. 7

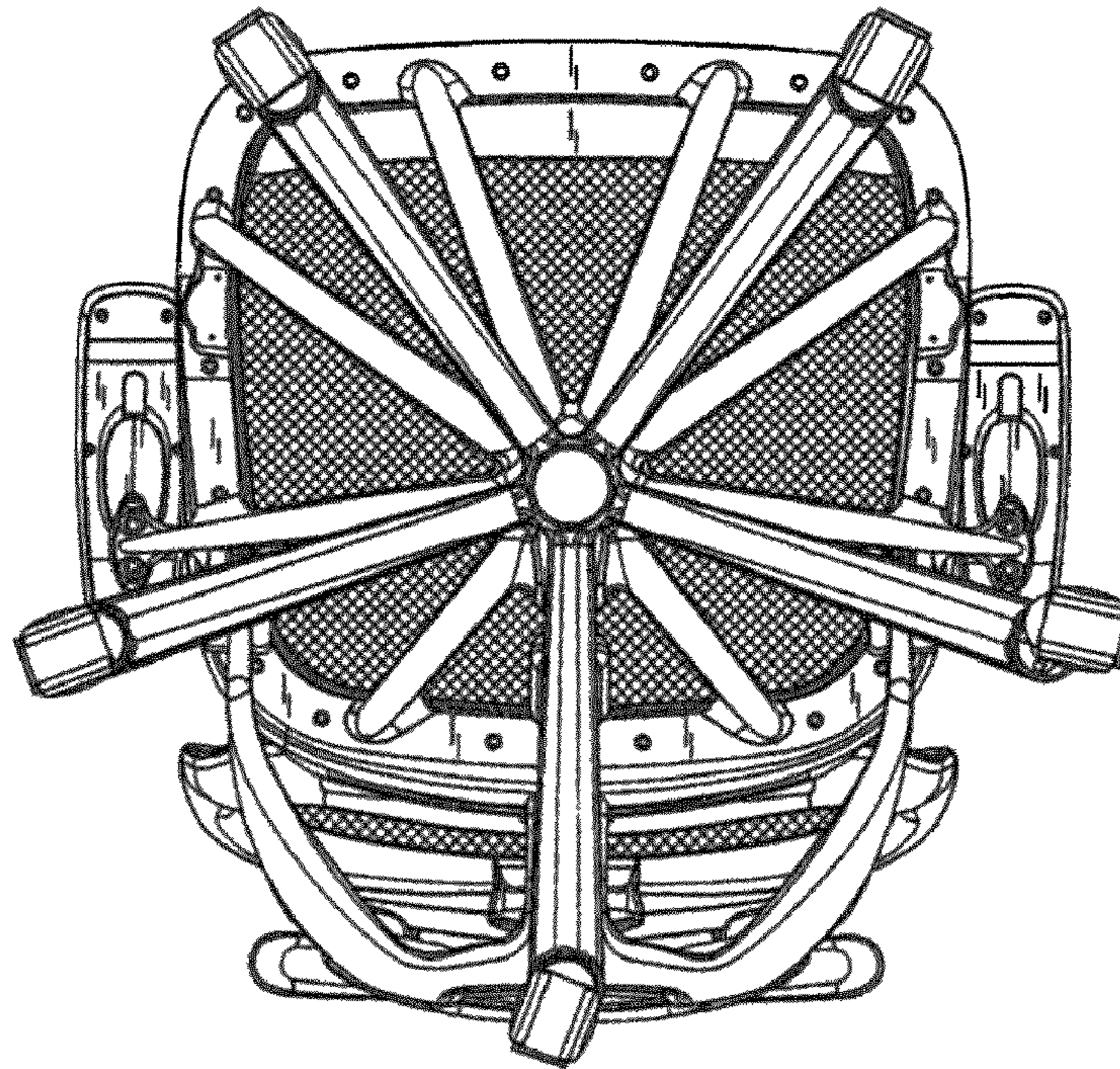


FIG. 8