

US00D661913S

(12) **United States Design Patent**
Van de Bittner

(10) **Patent No.:** **US D661,913 S**
(45) **Date of Patent:** **** Jun. 19, 2012**

(54) **BENCH**
(76) **Inventor:** **Kyle Van de Bittner, Moraga, CA (US)**
(**) **Term:** **14 Years**
(21) **Appl. No.:** **29/385,787**
(22) **Filed:** **Feb. 18, 2011**
(51) **LOC (9) Cl.** **06-01**
(52) **U.S. Cl.** **D6/358**
(58) **Field of Classification Search** D6/334-336,
D6/358, 369, 370, 374, 376, 379, 380, 381,
D6/497, 500-502; 297/181, 232, 411.41,
297/411.42, 445.1, 446.1, 452.63
See application file for complete search history.

D315,256 S * 3/1991 Martin D6/358
D394,355 S * 5/1998 Weiss D6/358
D396,963 S * 8/1998 Jeng D6/358
D399,662 S * 10/1998 Jeng D6/358
D401,770 S * 12/1998 Jeng D6/358
D409,011 S * 5/1999 Jeng D6/358
D409,401 S * 5/1999 Jeng D6/358
D409,402 S * 5/1999 Jeng D6/358

* cited by examiner

Primary Examiner — Mimosa De

(57) **CLAIM**
The ornamental design for a bench, as shown and described.

DESCRIPTION

FIG. 1 is a perspective view of a bench showing our design;
FIG. 2 is a front end view thereof;
FIG. 3 is a rear end view thereof;
FIG. 4 is a side elevational view thereof;
FIG. 5 is another side elevational view thereof;
FIG. 6 is a top plan view thereof; and,
FIG. 7 is a bottom plan view thereof.

(56) **References Cited**
U.S. PATENT DOCUMENTS
D179,646 S * 2/1957 Jones et al. D6/358
D222,714 S * 12/1971 Bates D6/358
D222,715 S * 12/1971 Bates D6/497
D240,372 S * 7/1976 Vrignaud D6/358

1 Claim, 7 Drawing Sheets

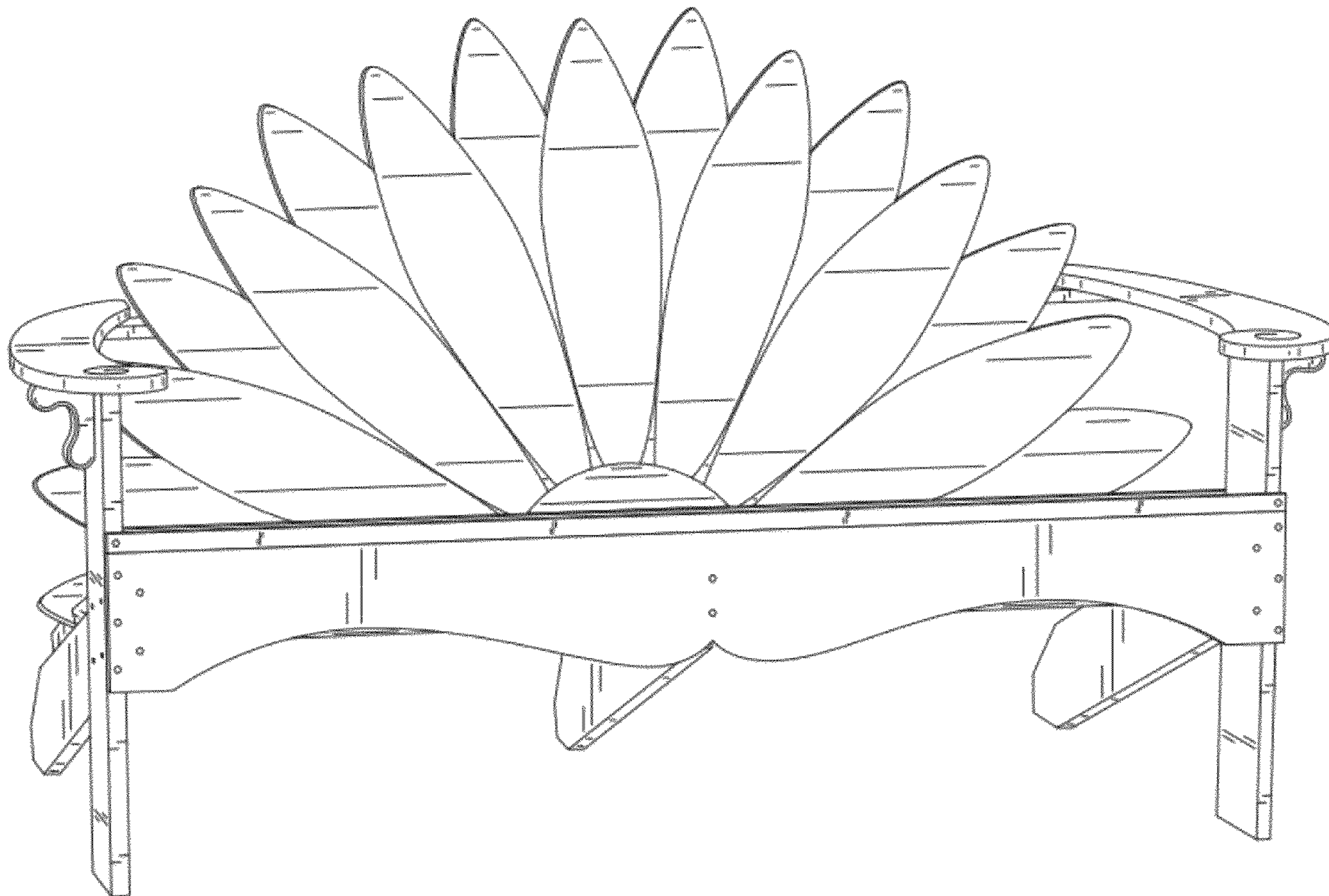




FIG. 1

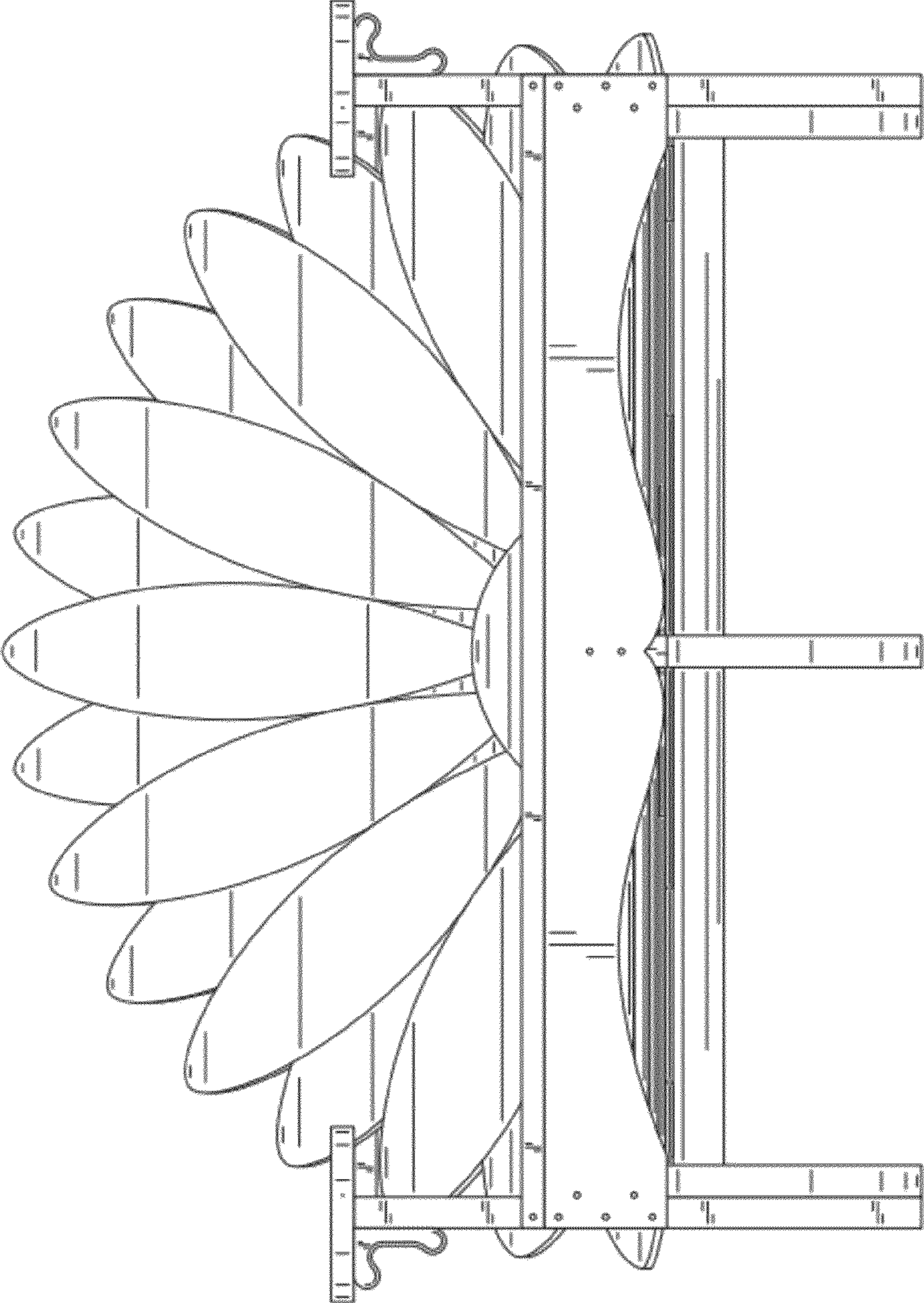


FIG. 2

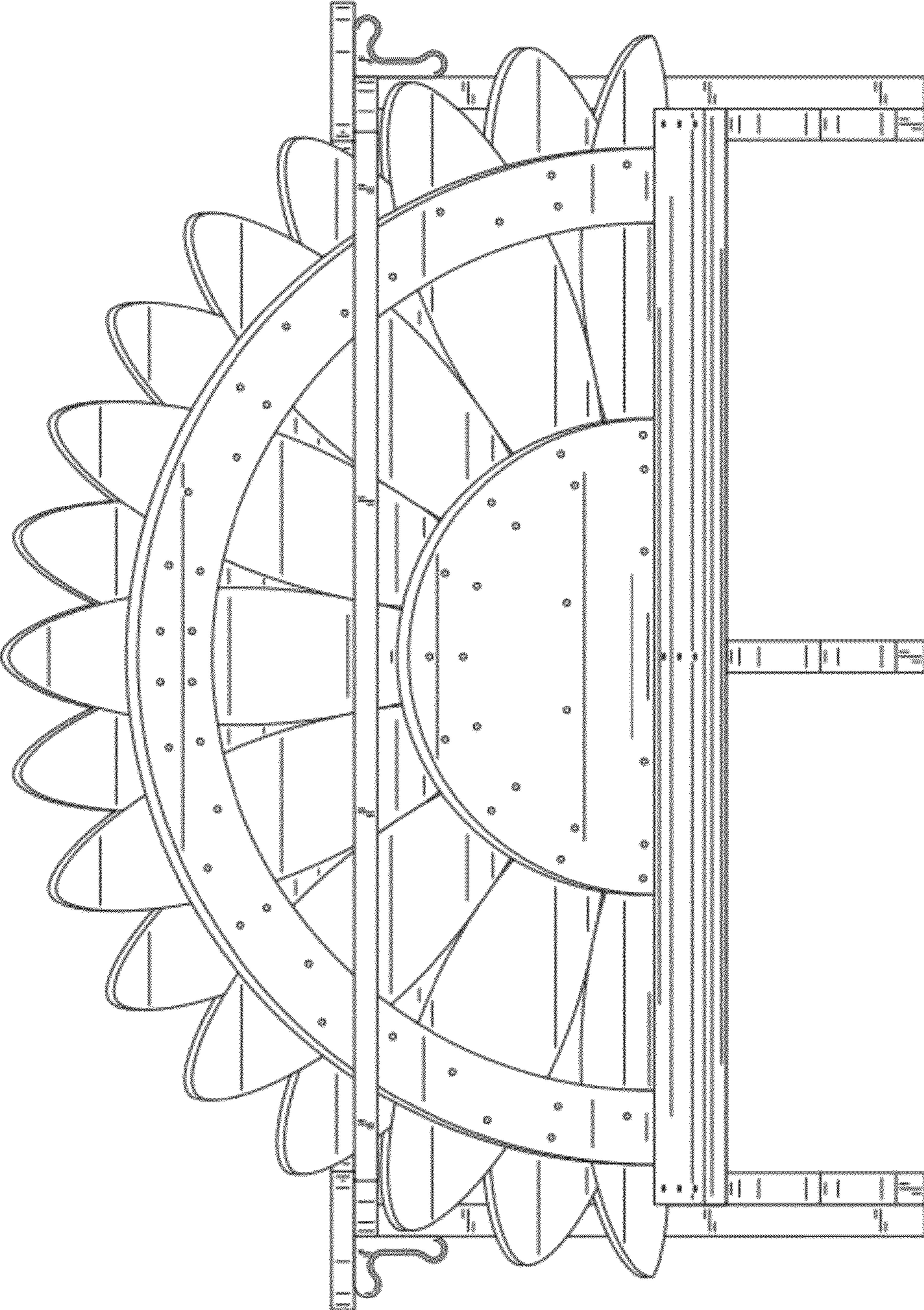


FIG. 3

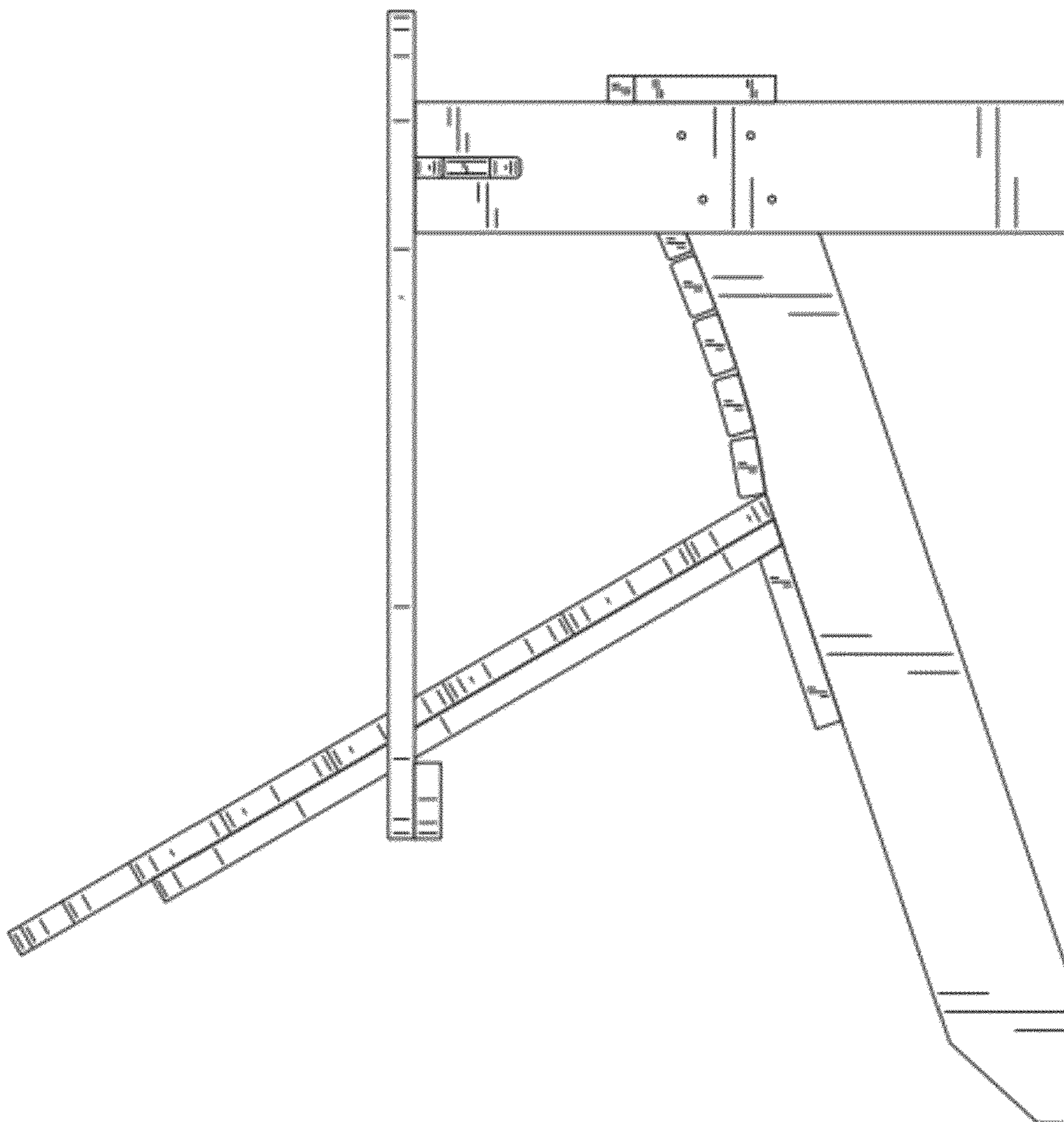


FIG. 4

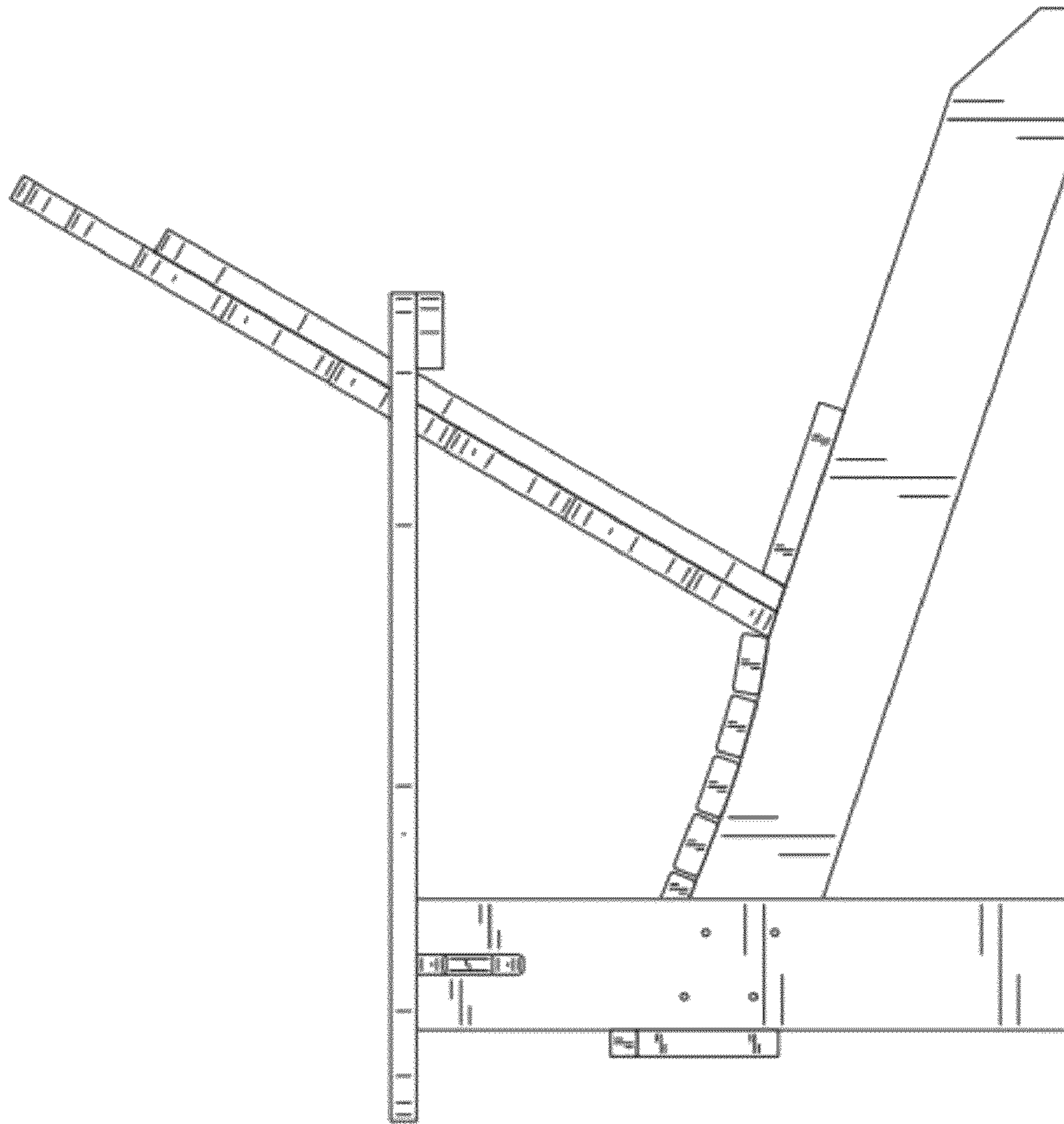


FIG. 5

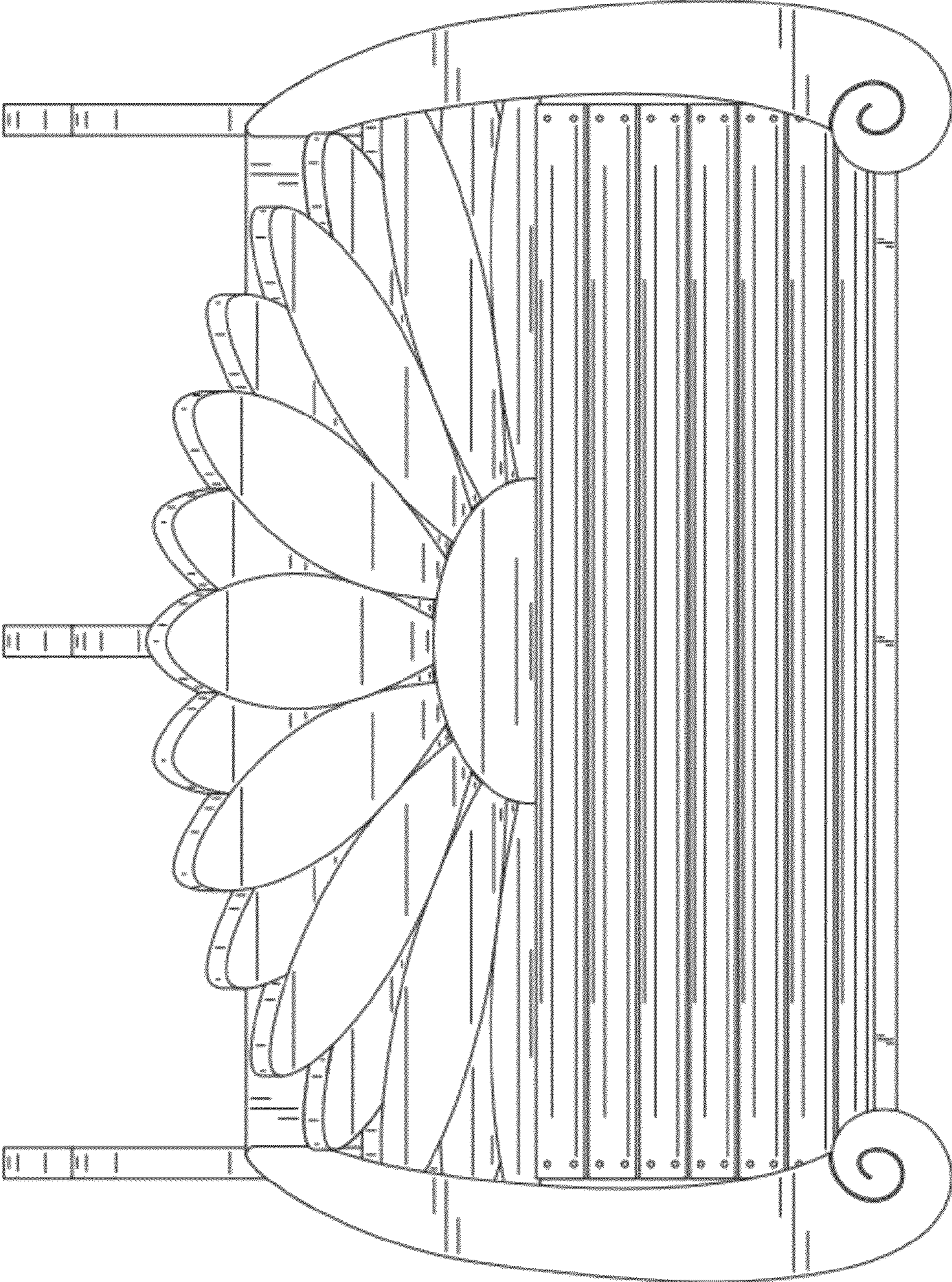


FIG. 6

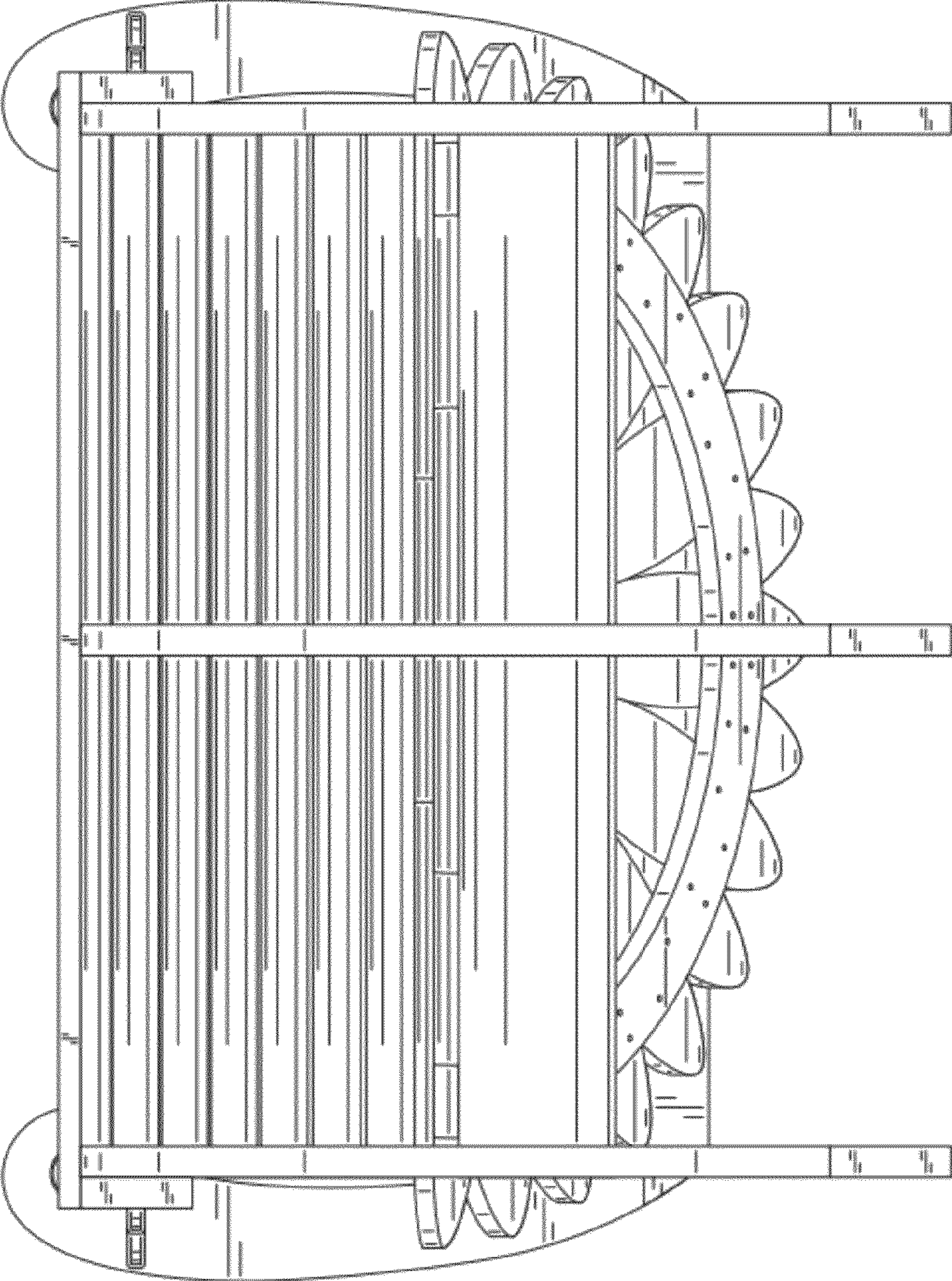


FIG. 7