



US00D661912S

(12) **United States Design Patent**
Hulina et al.

(10) **Patent No.:** **US D661,912 S**
(45) **Date of Patent:** **** Jun. 19, 2012**

(54) **DOOR HANGER CLIP**

(76) Inventors: **Donna Hulina**, Laguna Niguel, CA
(US); **David G. Duckworth**, Irvine, CA
(US)

(**) Term: **14 Years**

(21) Appl. No.: **29/374,433**

(22) Filed: **Aug. 11, 2011**

(51) **LOC (9) Cl.** **06-08**

(52) **U.S. Cl.** **D6/328**

(58) **Field of Classification Search** D6/317-328;
211/13.1, 85.3, 86.01, 113, 119; 223/85-98,
223/111

See application file for complete search history.

(56) **References Cited**

U.S. PATENT DOCUMENTS

| | | | | |
|-----------|-----|---------|-----------------|---------|
| 3,313,460 | A * | 4/1967 | Hooker | 294/159 |
| 3,630,475 | A * | 12/1971 | Barry | 248/215 |
| D287,908 | S * | 1/1987 | Fox | D6/328 |
| 4,824,156 | A * | 4/1989 | Greene | 294/142 |
| D343,521 | S * | 1/1994 | Wigley, Sr. | D6/317 |
| 5,360,148 | A * | 11/1994 | Goscin et al. | 223/88 |
| 5,676,284 | A * | 10/1997 | Schenberg | 223/1 |
| D471,724 | S * | 3/2003 | Bodine | D6/328 |
| D471,725 | S * | 3/2003 | Bodine | D6/328 |
| D624,759 | S * | 10/2010 | Jacobson et al. | D6/328 |

* cited by examiner

Primary Examiner — Prabhakar Deshmukh

(74) *Attorney, Agent, or Firm* — Russo & Duckworth, LLP;
Davis G. Duckworth

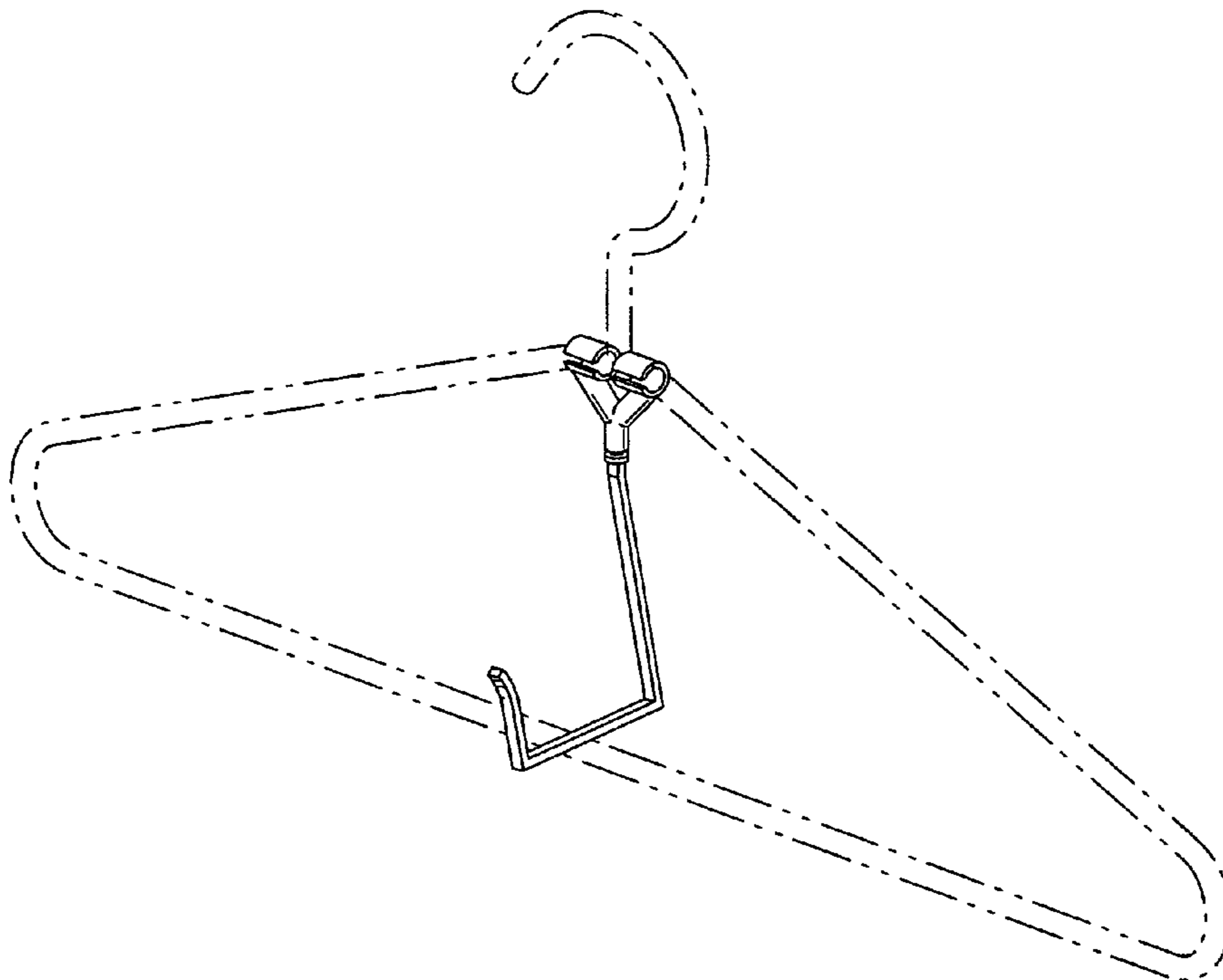
(57) **CLAIM**

The ornamental design for a door hanger clip, as shown and described.

DESCRIPTION

FIG. 1 is an exploded perspective view of a door hanger clip showing our new design;
 FIG. 2 is a perspective view thereof;
 FIG. 3 is another perspective view thereof, with the hanger clip shown in an alternate position;
 FIG. 4 is a perspective view thereof, with the hanger clip rotated in 180 degrees shown in FIG. 3;
 FIG. 5 is a front elevational view of FIG. 3;
 FIG. 6 is a rear elevational view of FIG. 3;
 FIG. 7 is a left side elevational view of FIG. 3;
 FIG. 8 is a right side elevational view of FIG. 3;
 FIG. 9 is a top plan view of FIG. 3;
 FIG. 10 is a bottom plan view of FIG. 3;
 FIG. 11 is a perspective view of FIG. 4, shown the article in its environmental use; and,
 FIG. 12 is a perspective view of FIG. 2, shown the article in its environmental use.
 The broken lines environment is for illustrative purpose only and forms no part of the claimed design.

1 Claim, 6 Drawing Sheets



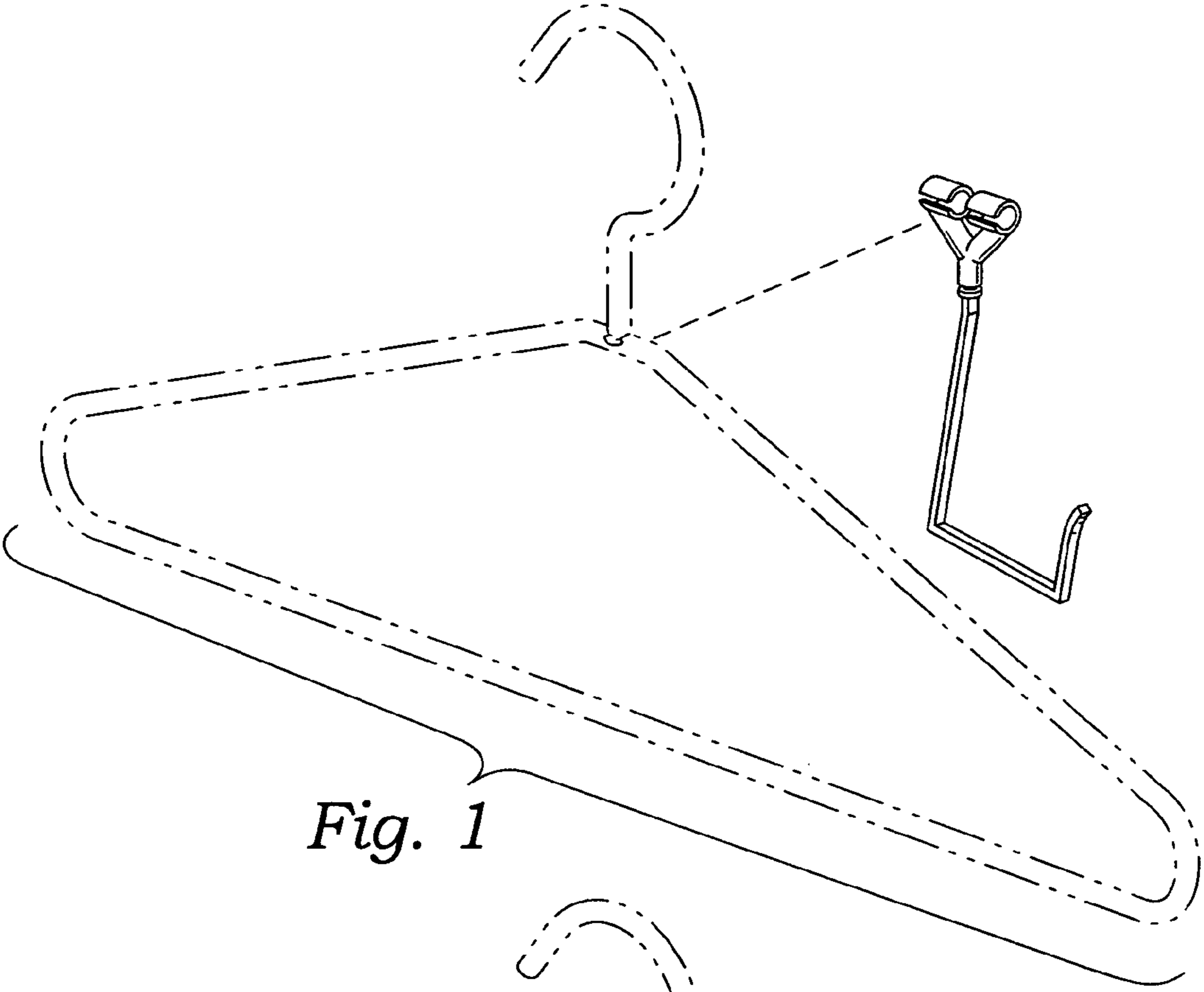


Fig. 1

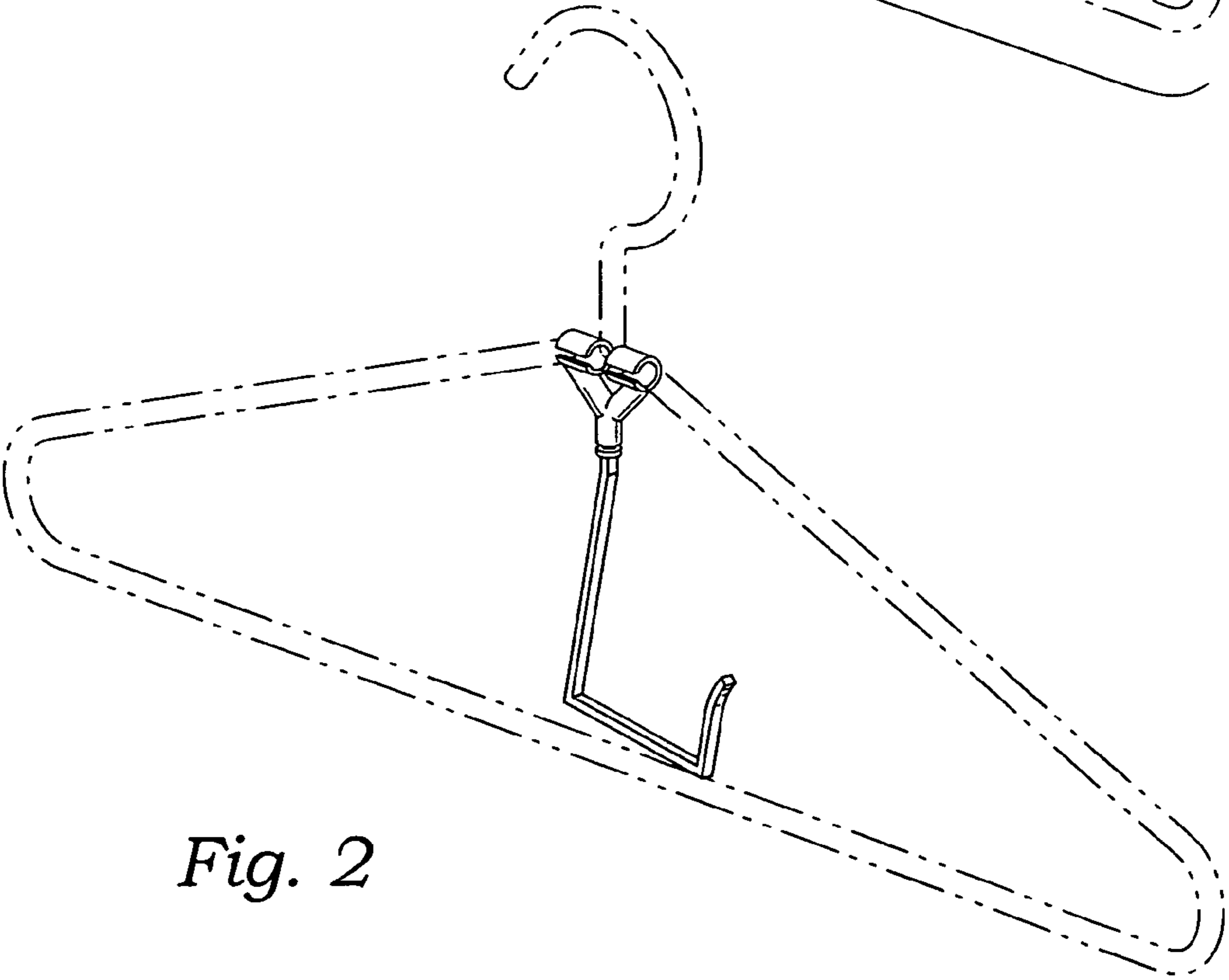


Fig. 2

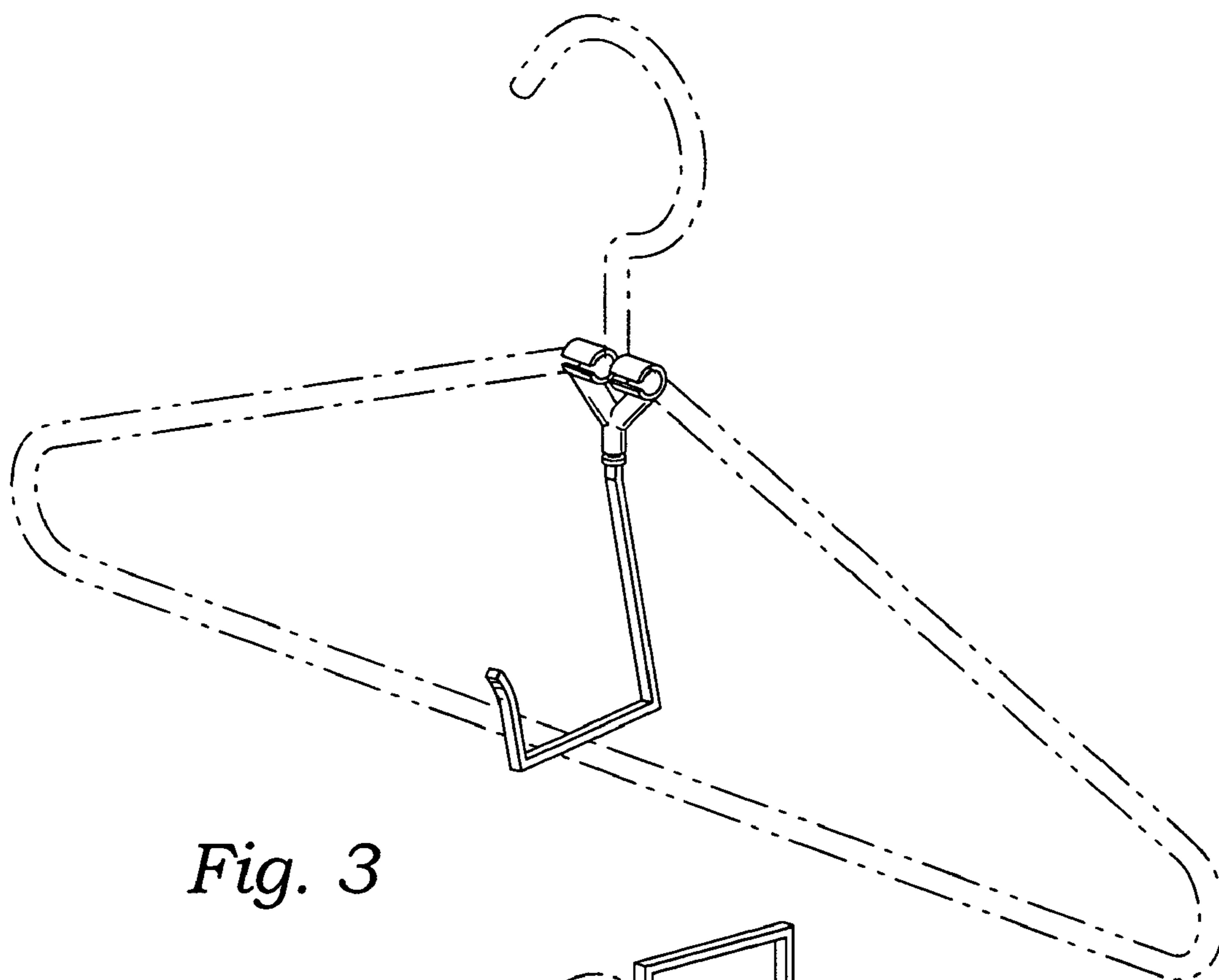


Fig. 3

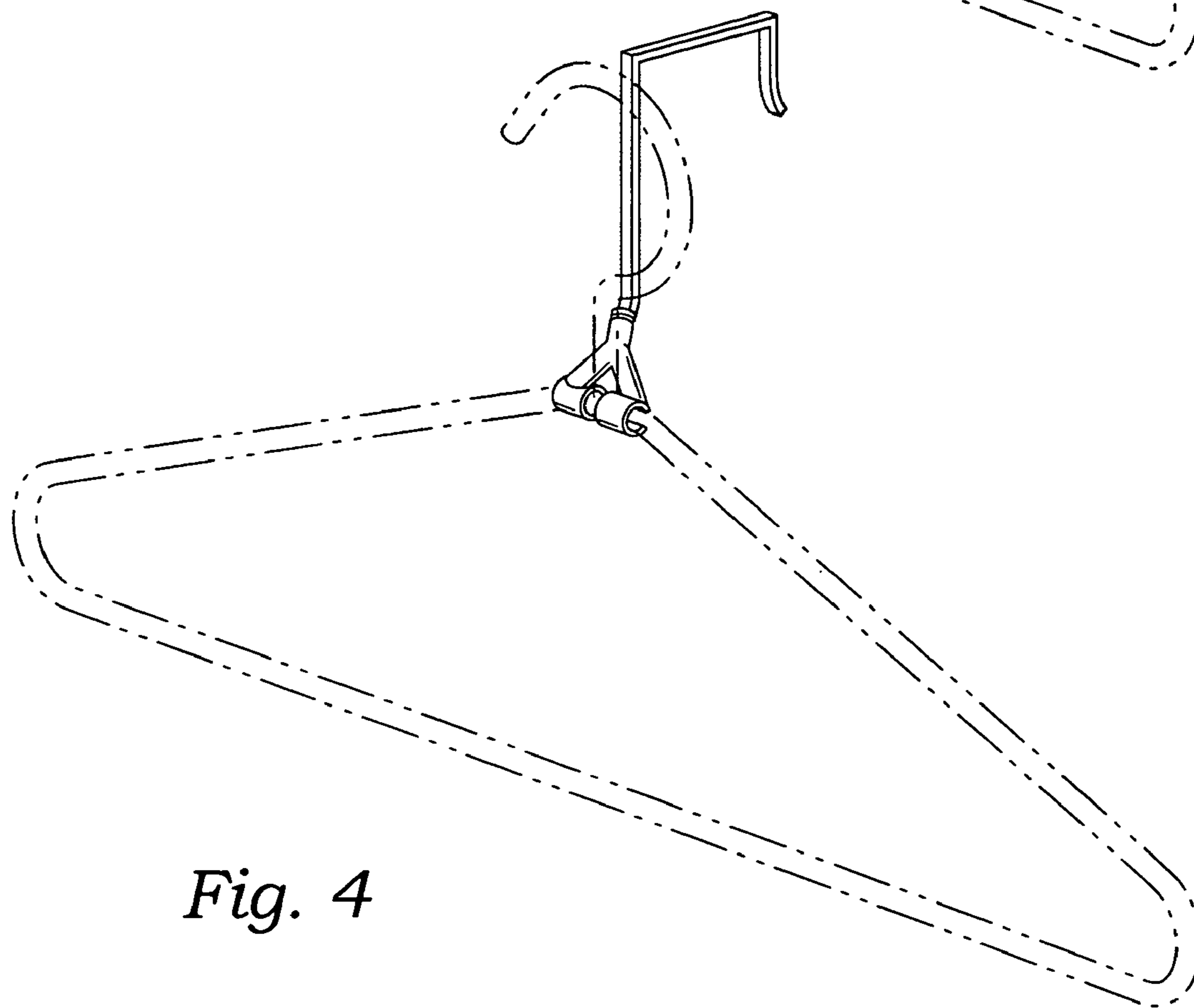


Fig. 4

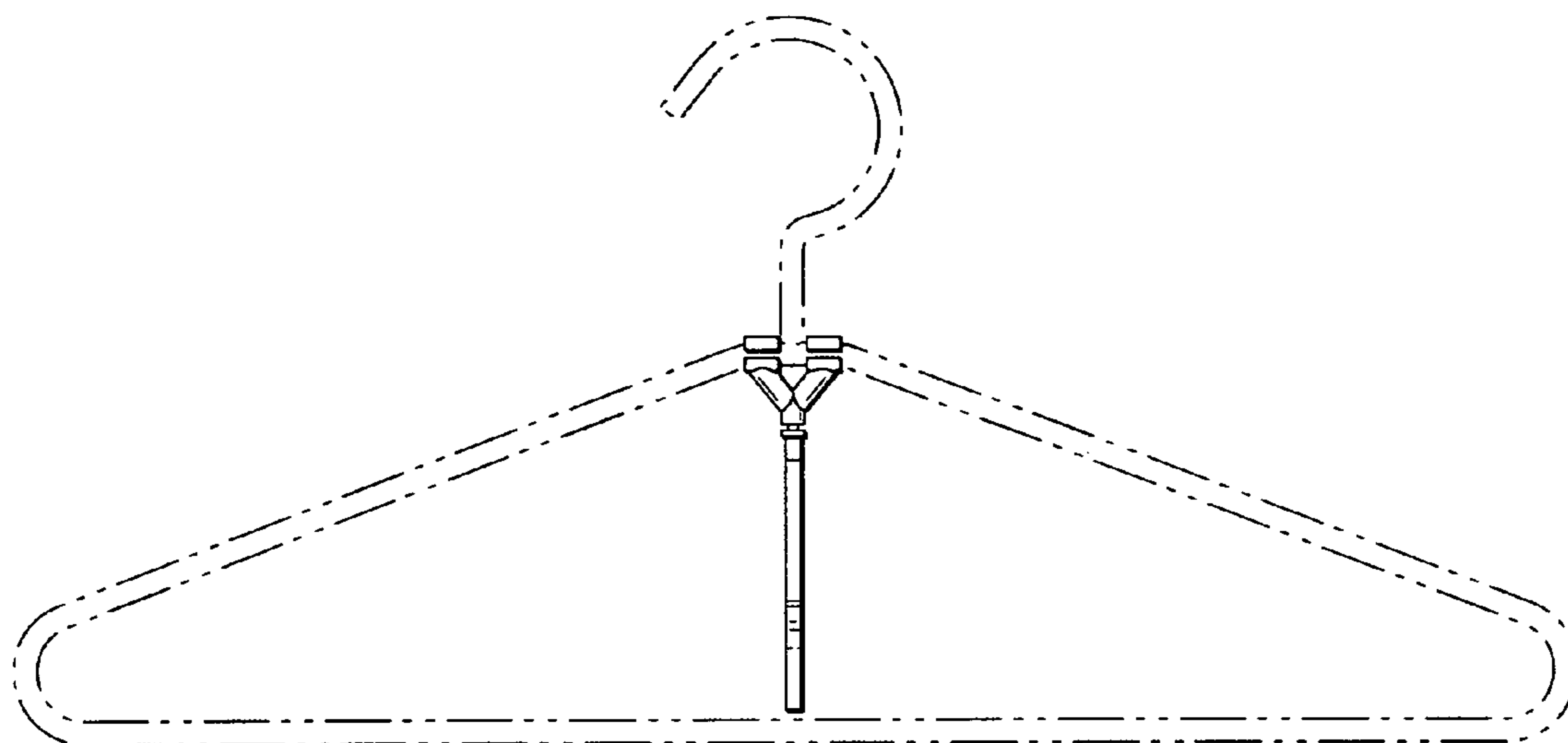


Fig. 5

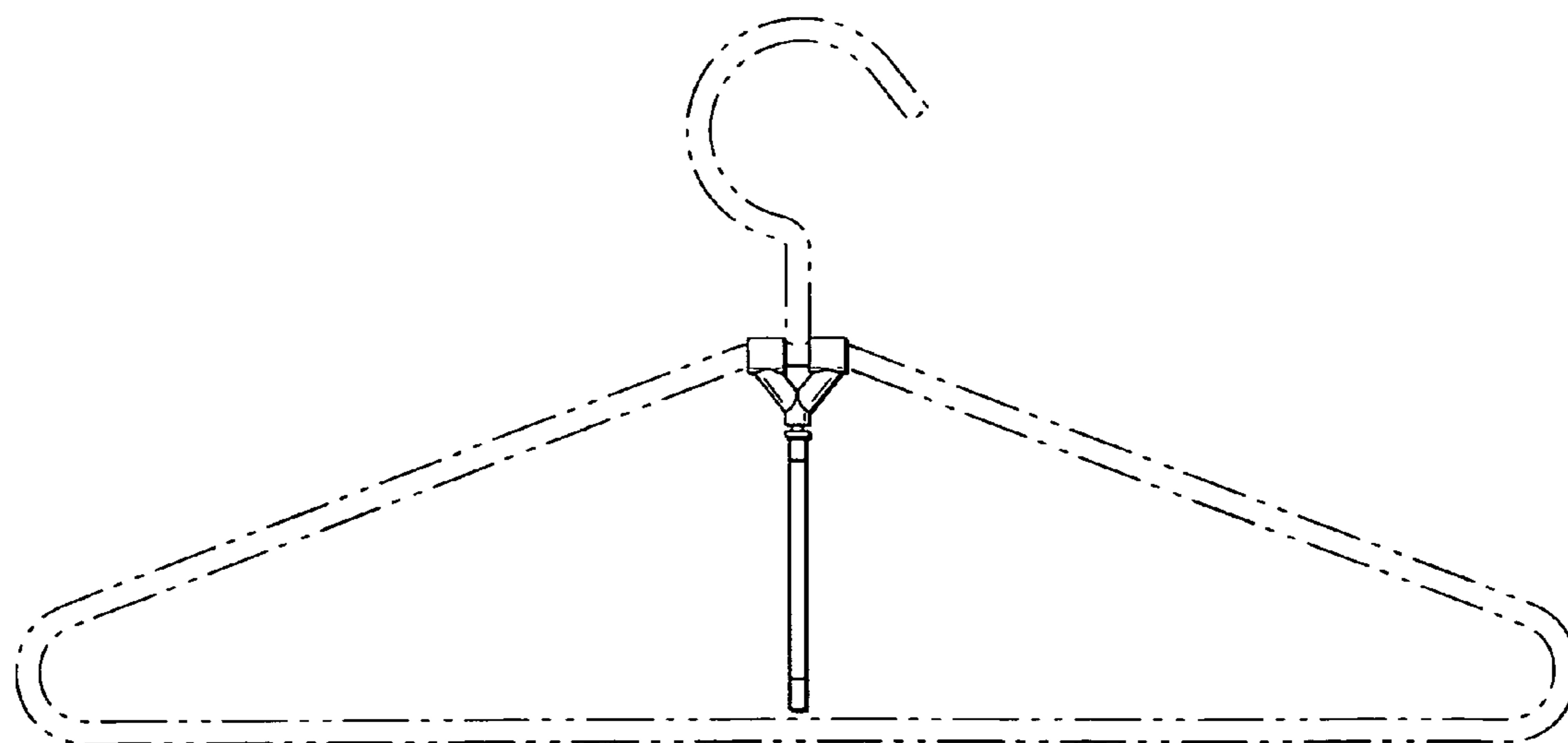


Fig. 6

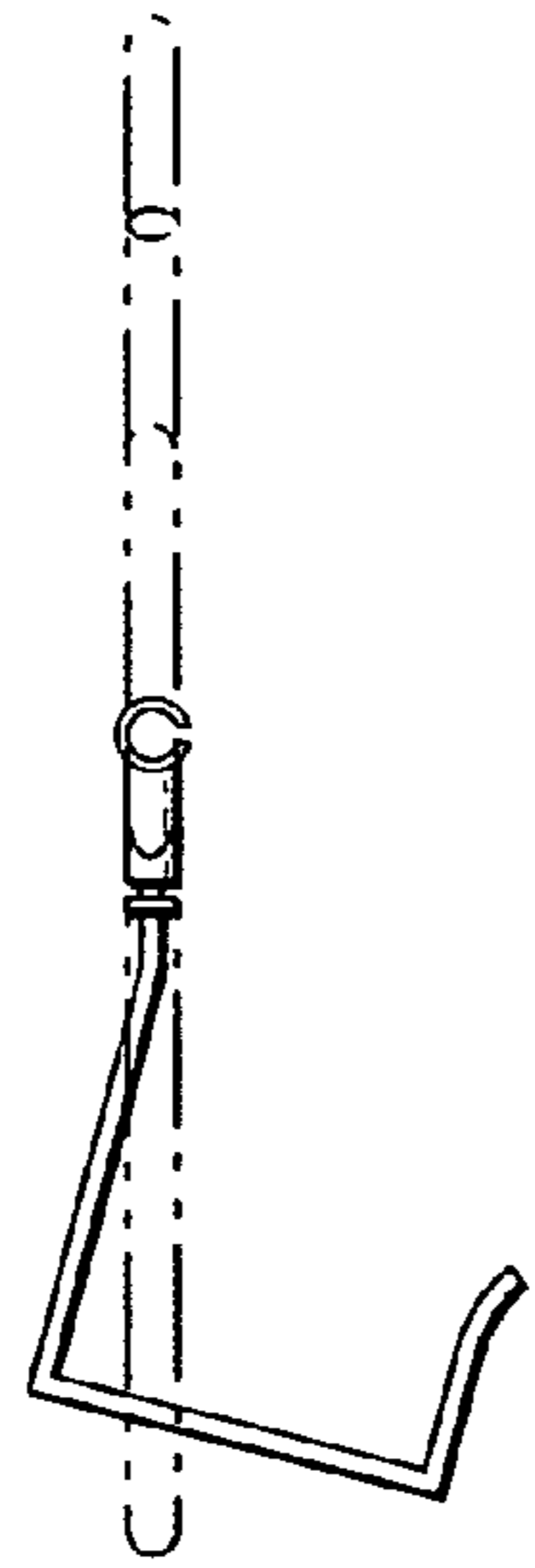


Fig. 7

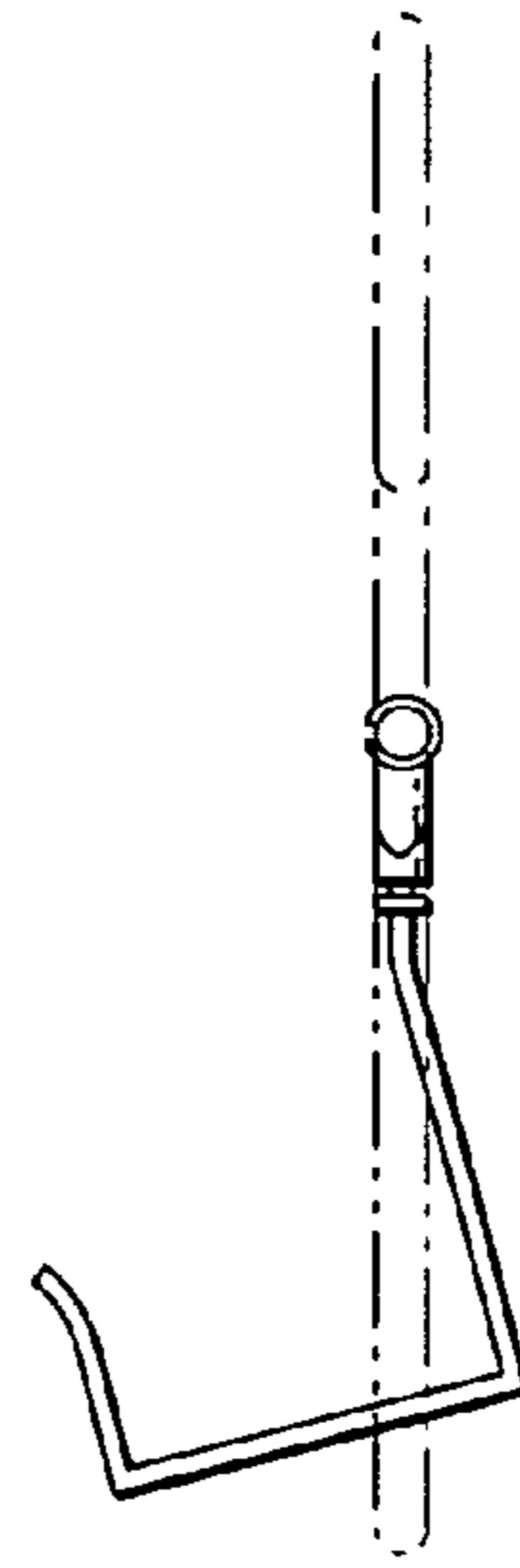


Fig. 8

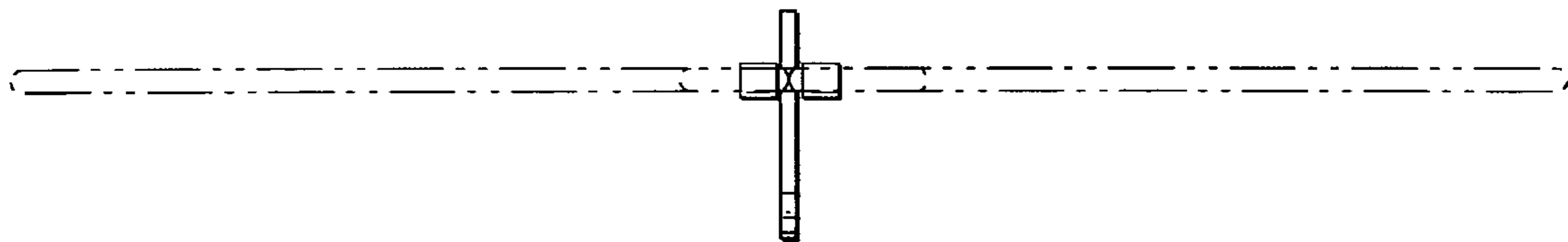


Fig. 9

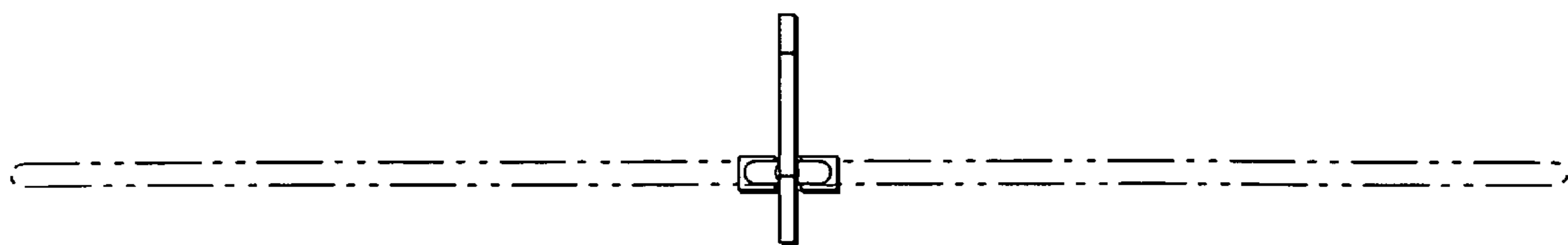


Fig. 10

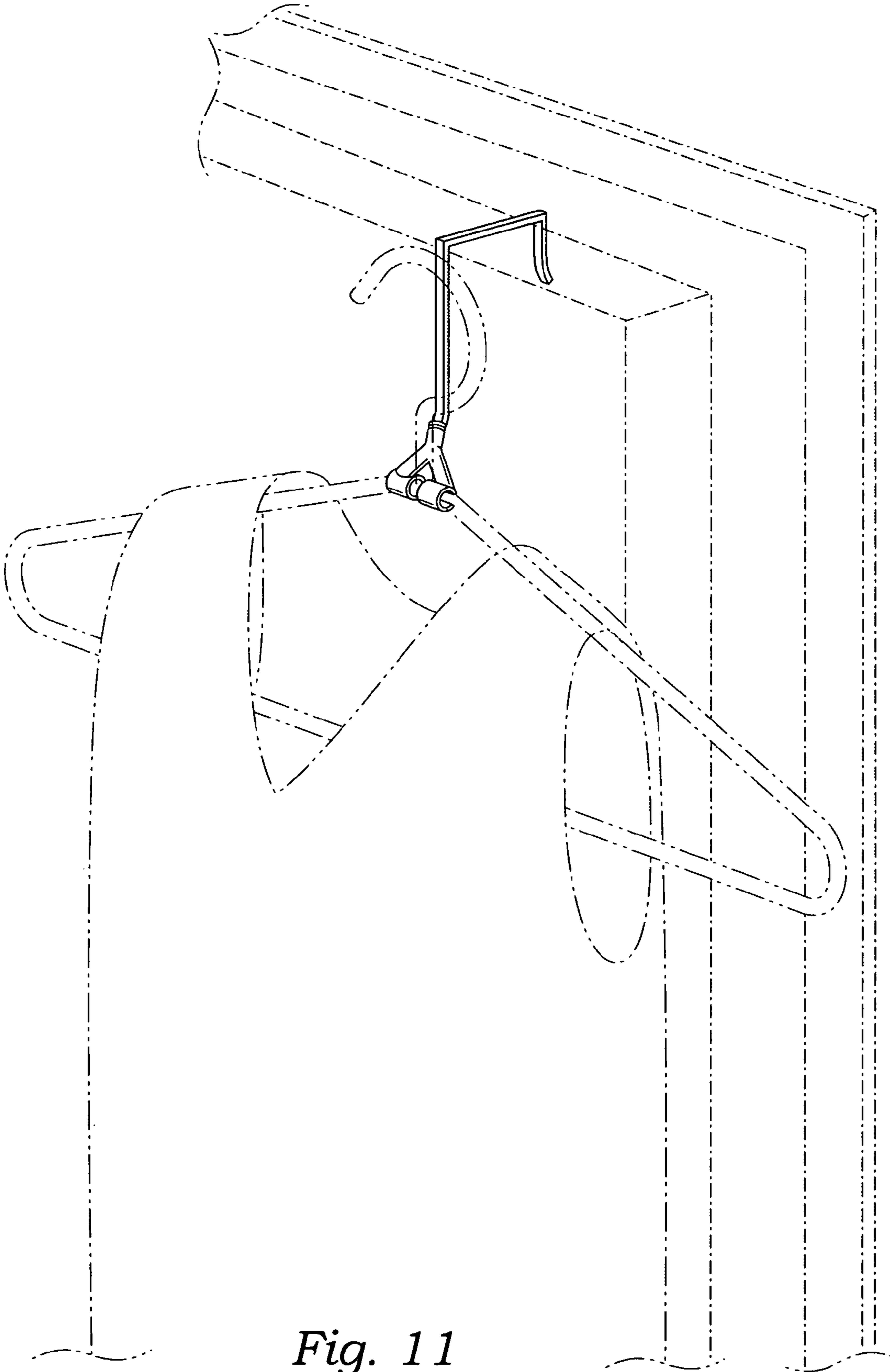


Fig. 11

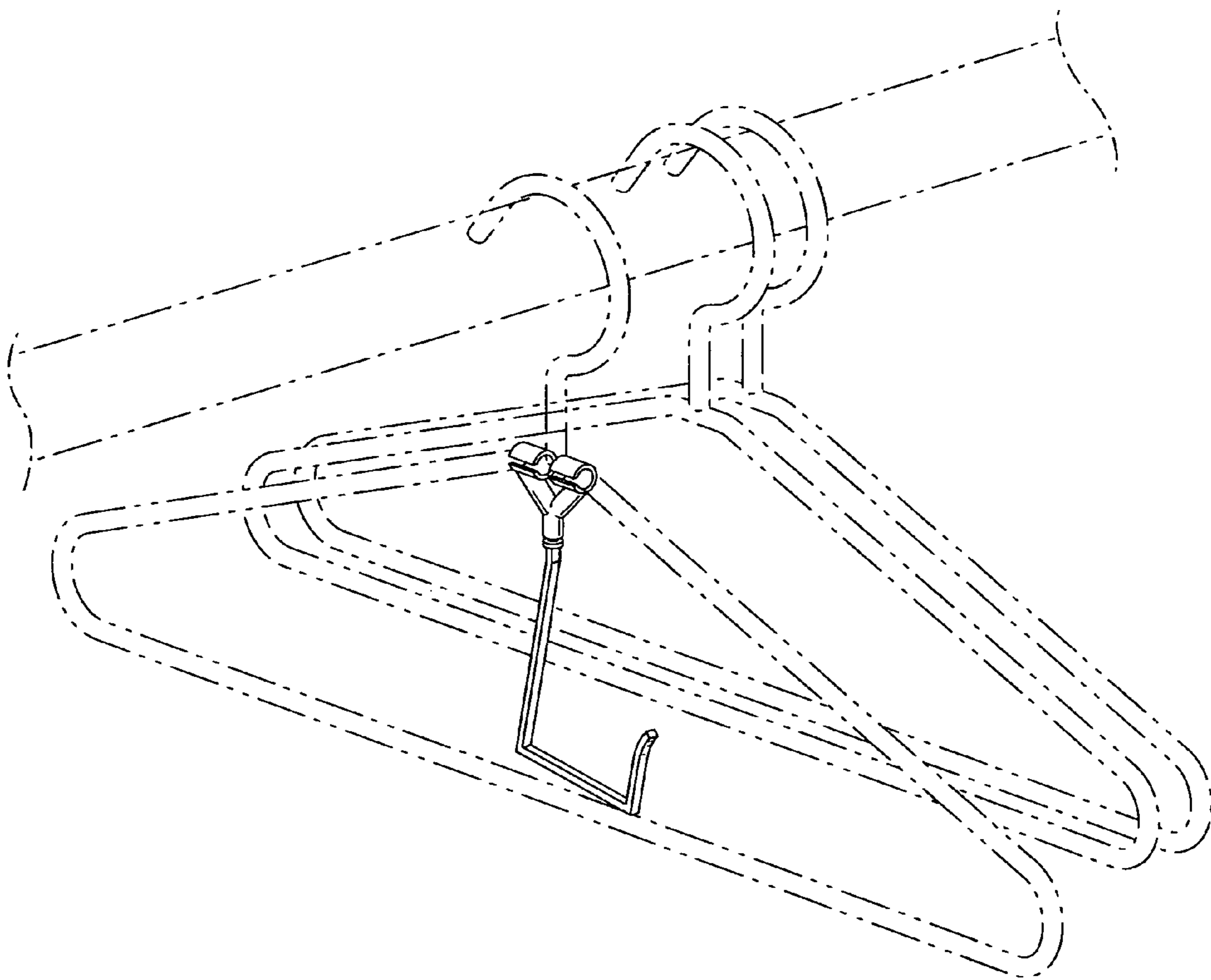


Fig. 12