

US00D661905S

(12) **United States Design Patent**  
**Best et al.**

(10) **Patent No.:** **US D661,905 S**  
(45) **Date of Patent:** **\*\* Jun. 19, 2012**

(54) **FLOW-THROUGH EXTENSION POLE HANDLE**

(75) Inventors: **Jim Joseph Best**, Hewitt, NJ (US);  
**David Zachariah Block**, Brooklyn, NY (US); **William Lauchlin Gullede, Jr.**, Leawood, KS (US); **William Daniel Richardson**, Greenwood, MO (US); **Chad Edward Brott**, Greenwood, MO (US); **B. Deré Newman**, Lone Jack, MO (US); **Melodie Lea Wendleton**, Lee's Summit, MO (US); **Benjamin A. Shobert**, Indianapolis, IN (US); **Richard S. Dale**, Honeoye Falls, NY (US); **Todd Brunner**, Brooklyn, NY (US)

(73) Assignee: **Specialty Products of Greenwood, Missouri, Inc.**, Greenwood, MO (US)

(\*\*) Term: **14 Years**

(21) Appl. No.: **29/400,495**

(22) Filed: **Aug. 29, 2011**

**Related U.S. Application Data**

(62) Division of application No. 29/359,610, filed on Apr. 13, 2010, now Pat. No. Des. 647,308.

(51) **LOC (9) Cl.** ..... **04-01**

(52) **U.S. Cl.** ..... **D4/115; D4/138**

(58) **Field of Classification Search** ..... D4/114, D4/115, 132, 135, 138, 199; D32/45, 50, D32/51; 15/143.1, 144.1, 144.3, 144.4; 222/191; 401/137, 140, 268, 270, 276, 279, 282, 284, 401/289; 16/422, 427, 429

See application file for complete search history.

(56) **References Cited**

U.S. PATENT DOCUMENTS

2,797,132 A \* 6/1957 Alpert ..... 137/584  
(Continued)

FOREIGN PATENT DOCUMENTS

KR 65586 S \* 11/1986

OTHER PUBLICATIONS

Hayco® Flow Thru Wash Brush, Brushware Products, p. 3 [online], Hayco Manufacturing Ltd. © 2006 [retrieved on Jun. 7, 2008]. Retrieved from the Internet: <URL: <http://www.hayco.com.hk>>.\*

*Primary Examiner* — Cathron Brooks  
*Assistant Examiner* — Lavone D Tabor  
(74) *Attorney, Agent, or Firm* — Hovey Williams LLP

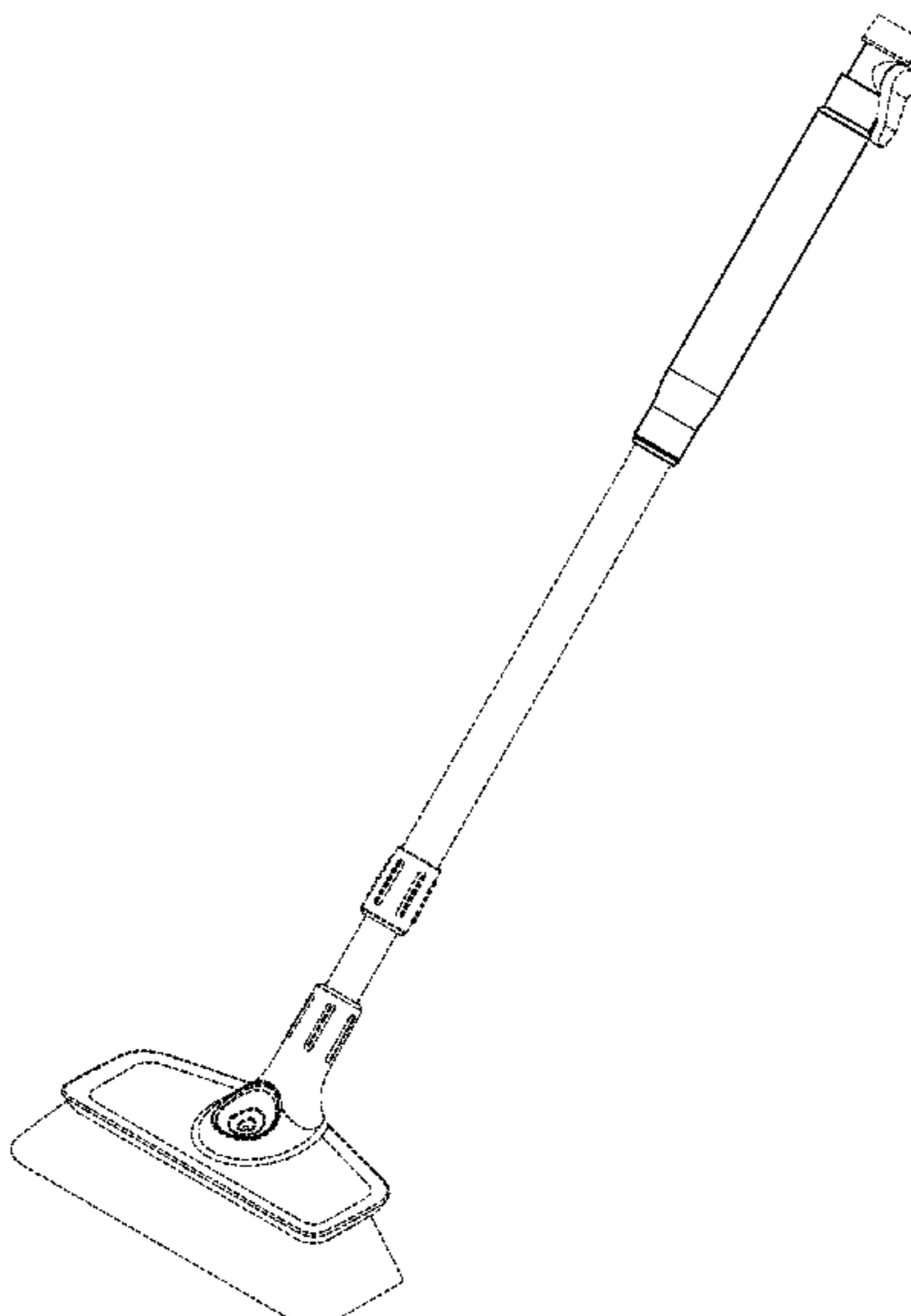
(57) **CLAIM**

The ornamental design for a flow-through extension pole handle, as shown and described.

**DESCRIPTION**

FIG. 1 is a perspective view of a flow-through extension pole handle embodying our new design shown with a brush head and extension pole depicted in broken lines; FIG. 2 is an enlarged perspective view of just the flow-through extension pole handle depicted in FIG. 1; FIG. 3 is a side elevation view of the flow-through extension pole handle as depicted in FIG. 2, with the opposite side elevation view being a mirror image thereof; FIG. 4 is a side elevation view of the flow-through extension pole handle, with the handle portion being rotated ninety degrees relative to the view depicted in FIG. 3; FIG. 5 is a side elevation view of the flow-through extension pole handle opposite that depicted in FIG. 4; and, FIG. 6 is a proximal end elevation view of the flow-through extension pole handle as depicted in FIGS. 2-5. The broken lines showing the valve mechanism, the proximal hose connection, the brush head, and the portion of the extension pole below the handle are for environmental purposes only and form no part of the claimed design.

**1 Claim, 3 Drawing Sheets**



# US D661,905 S

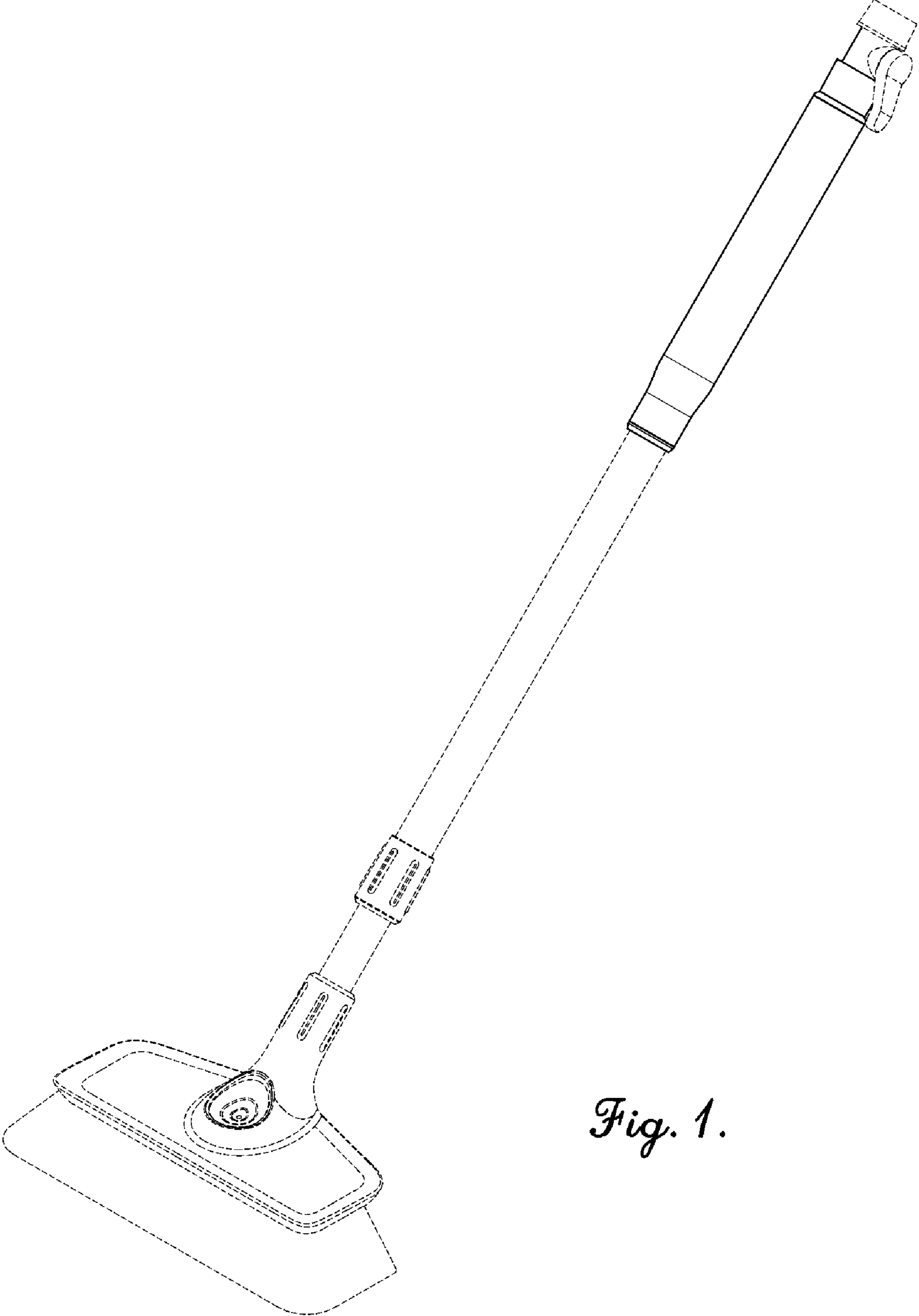
Page 2

---

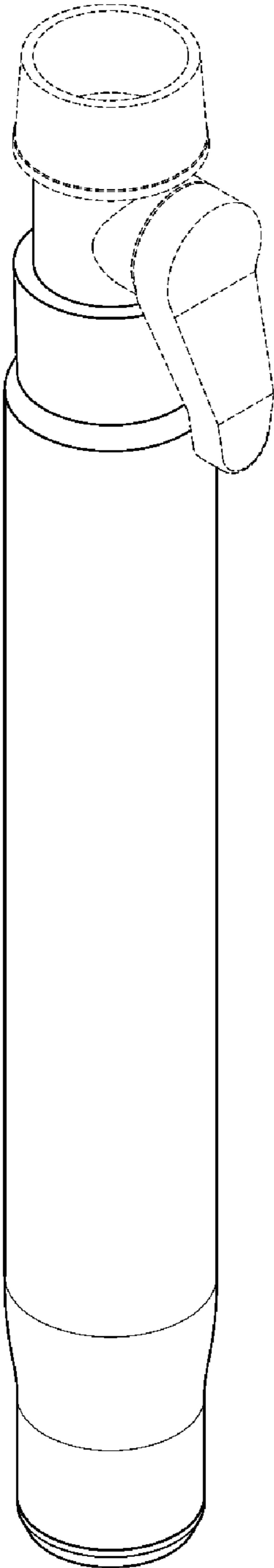
## U.S. PATENT DOCUMENTS

D186,156	S	*	9/1959	Osrow et al.	.....	D4/115			
D188,093	S	*	6/1960	Harty, Jr.	.....	D4/115			
D193,767	S	*	10/1962	Kilham	.....	D4/115			
4,237,570	A	*	12/1980	Brock, Jr.	.....	15/28			
D294,087	S	*	2/1988	Clivio et al.	.....	D4/138			
4,858,830	A	*	8/1989	Proctor et al.	.....	239/313			
5,336,012	A	*	8/1994	Newville	.....	401/289			
D354,554	S	*	1/1995	Newman, Sr. et al.	.....	D23/266			
D459,434	S	*	6/2002	Fauquet	.....	D23/213			
6,964,380	B1	*	11/2005	Chen	.....	239/315			
D520,243	S	*	5/2006	Sickler et al.	.....	D4/115			

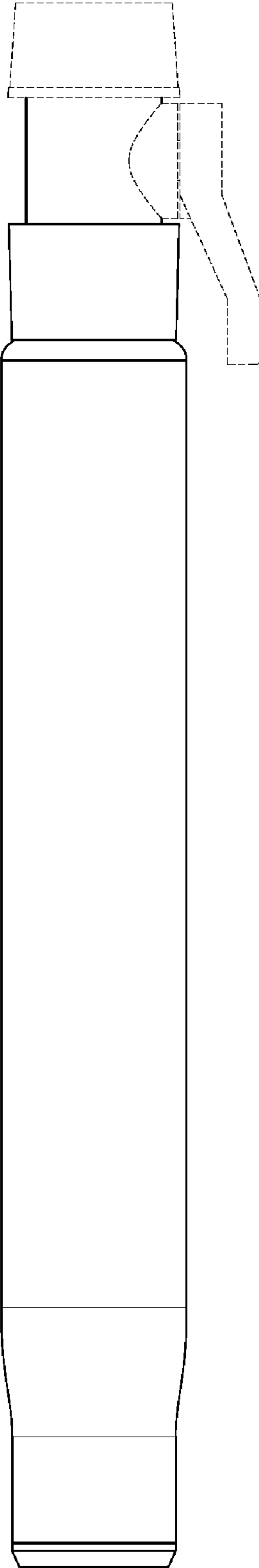
\* cited by examiner



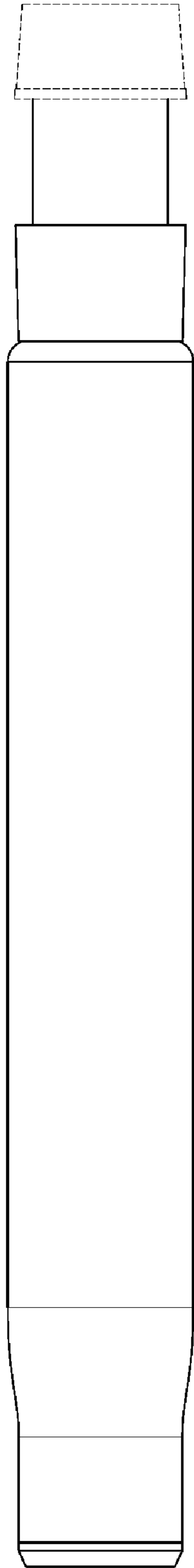
*Fig. 1.*



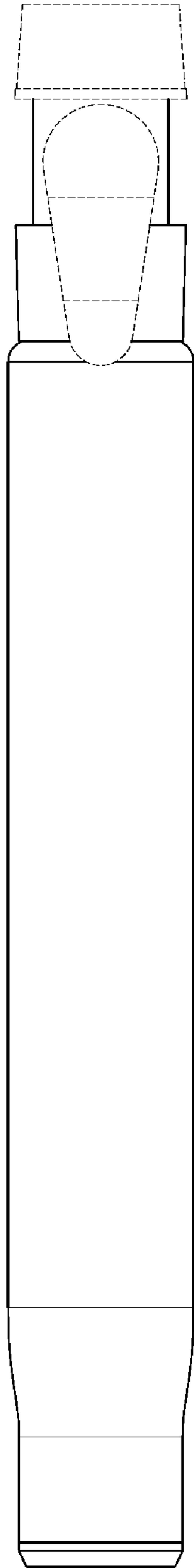
*Fig. 2.*



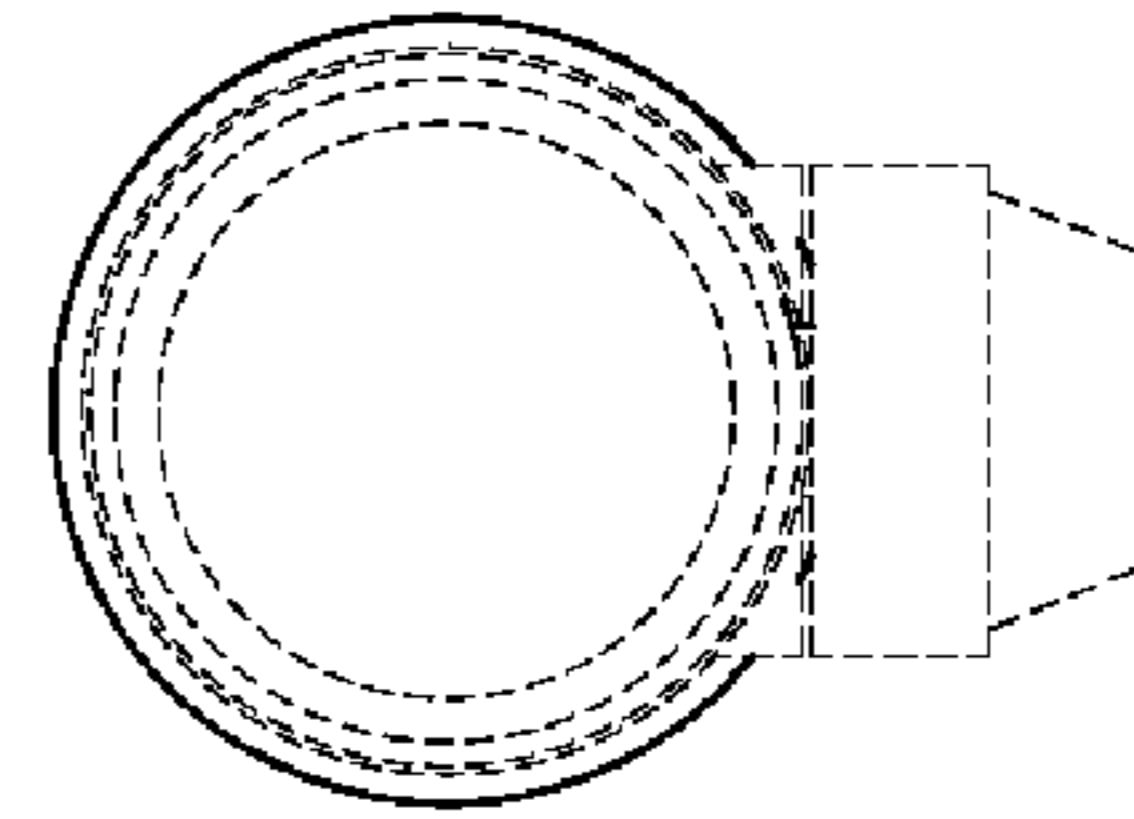
*Fig. 3.*



*Fig. 4.*



*Fig. 5.*



*Fig. 6.*