



US00D661903S

(12) **United States Design Patent**
Kokawa et al.

(10) **Patent No.:** **US D661,903 S**
(45) **Date of Patent:** **** Jun. 19, 2012**

(54) **TOOL BOX**

(75) Inventors: **Kiyozumi Kokawa**, Anjo (JP);
Tomonori Kawase, Anjo (JP)

(73) Assignee: **Makita Corporation**, Anjo-shi (JP)

(**) Term: **14 Years**

(21) Appl. No.: **29/367,203**

(22) Filed: **Aug. 4, 2010**

(30) **Foreign Application Priority Data**

Mar. 3, 2010 (JP) 2010-005058

(51) **LOC (9) Cl.** **03-01**

(52) **U.S. Cl.** **D3/321**

(58) **Field of Classification Search** D3/273,
D3/274, 276, 280–284, 286, 288, 291, 292,
D3/294–295, 905, 321; 206/349, 372–379;
220/523, 527

See application file for complete search history.

(56) **References Cited**

U.S. PATENT DOCUMENTS

D218,267 S *	8/1970	Belokin, Jr.	D3/282
D351,504 S *	10/1994	Tarozzi	D3/276
D360,757 S *	8/1995	Snetting et al.	D3/282
6,267,238 B1 *	7/2001	Miller et al.	206/349
D458,751 S *	6/2002	Hsieh	D3/294
D481,026 S *	10/2003	Chunn et al.	D3/291
D484,309 S *	12/2003	Lee	D3/282

D505,549 S *	5/2005	Hosking	D3/905
D507,701 S *	7/2005	Chen	
D516,807 S *	3/2006	Richardson et al.	D3/273
D538,043 S *	3/2007	Fenton et al.	D3/321
D538,541 S *	3/2007	Fenton et al.	D3/321
D572,479 S *	7/2008	Buck et al.	D3/282
D600,015 S *	9/2009	Wenche et al.	D3/294
D606,308 S *	12/2009	Cheng-Wei	
D608,094 S *	1/2010	Concari et al.	D3/282
D620,255 S *	7/2010	Chang	D3/282

* cited by examiner

Primary Examiner — Jennifer Rivard

(74) *Attorney, Agent, or Firm* — Oliff & Berridge, PLC

(57) **CLAIM**

The ornamental design for a tool box, as shown and described.

DESCRIPTION

FIG. 1 is a perspective view of a tool box showing our new design;

FIG. 2 is a front elevation view thereof;

FIG. 3 is a rear elevation view thereof;

FIG. 4 is a left side elevation view thereof;

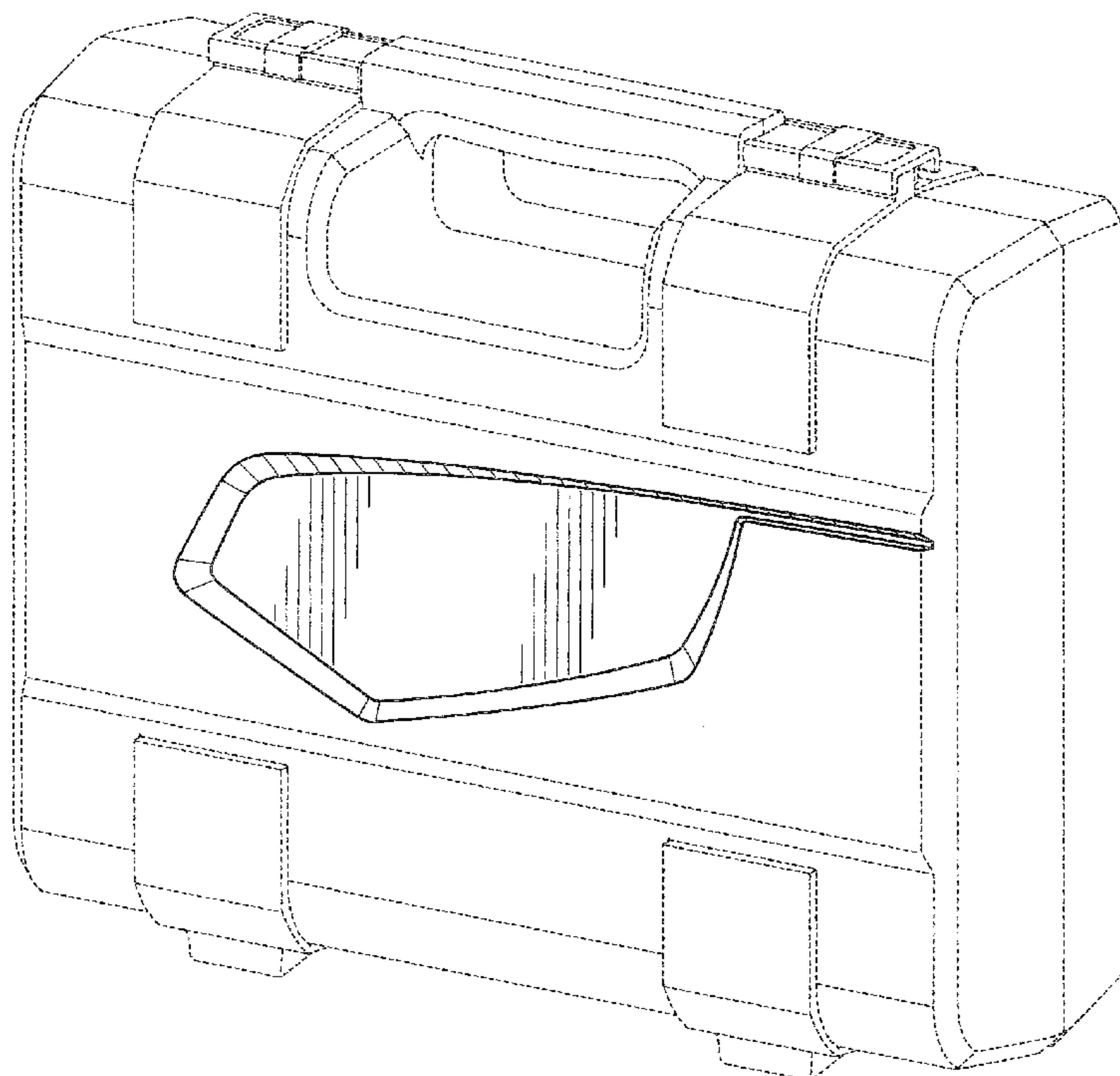
FIG. 5 is a right side elevation view thereof;

FIG. 6 is a top plan view thereof; and,

FIG. 7 is a bottom plan view thereof.

The broken lines depict environmental subject matter only and form no part of the claimed design.

1 Claim, 5 Drawing Sheets



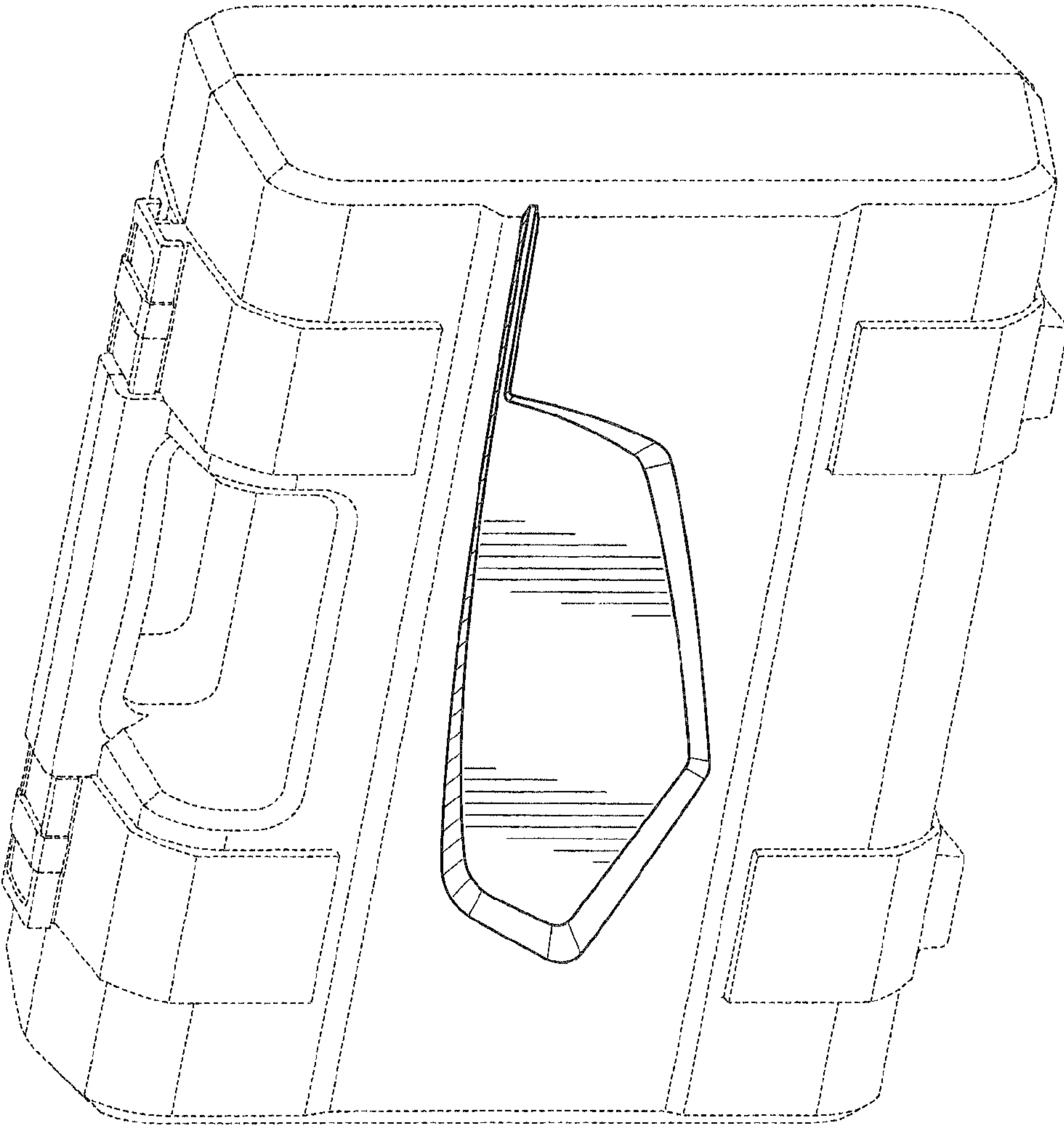


FIG. 1

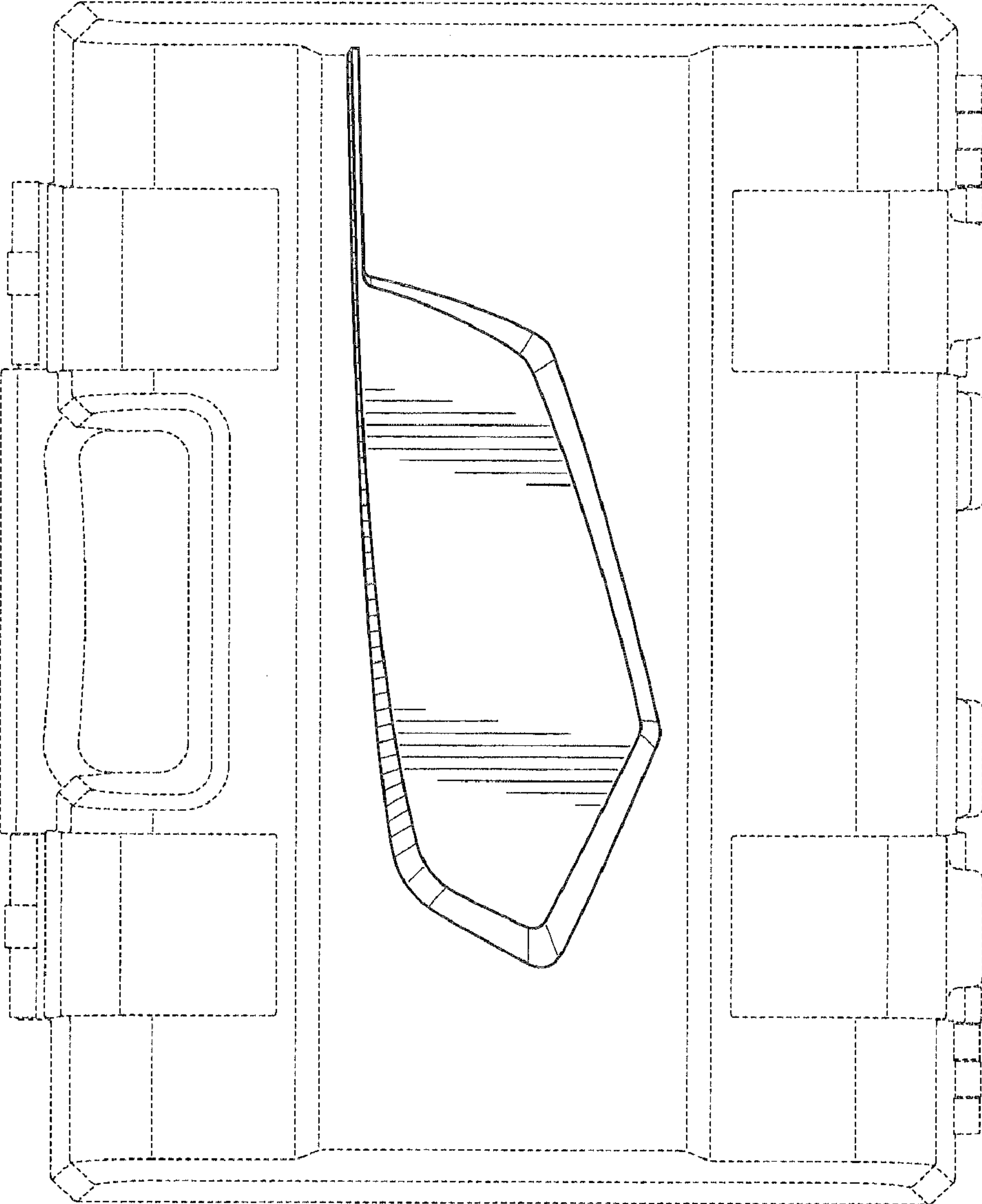


FIG. 2

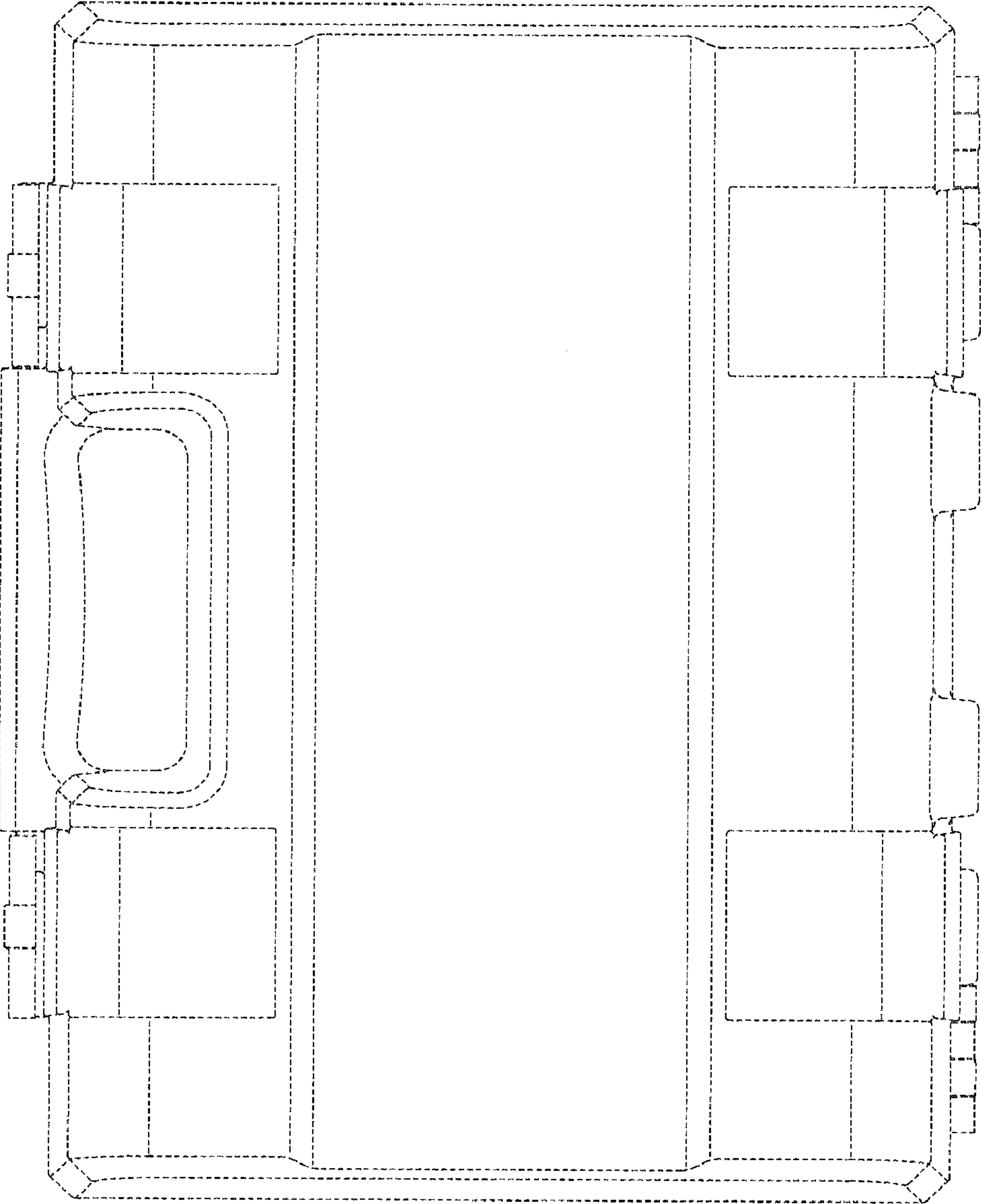


FIG. 3

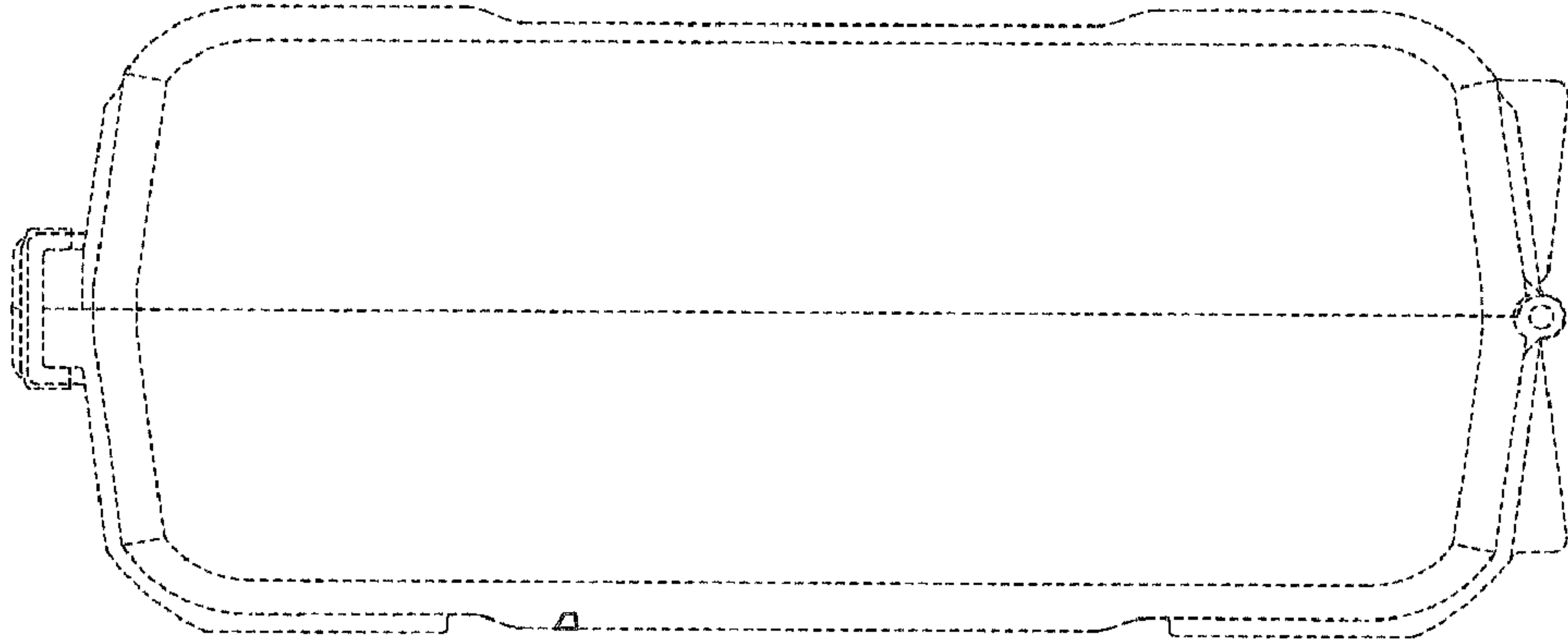


FIG. 5

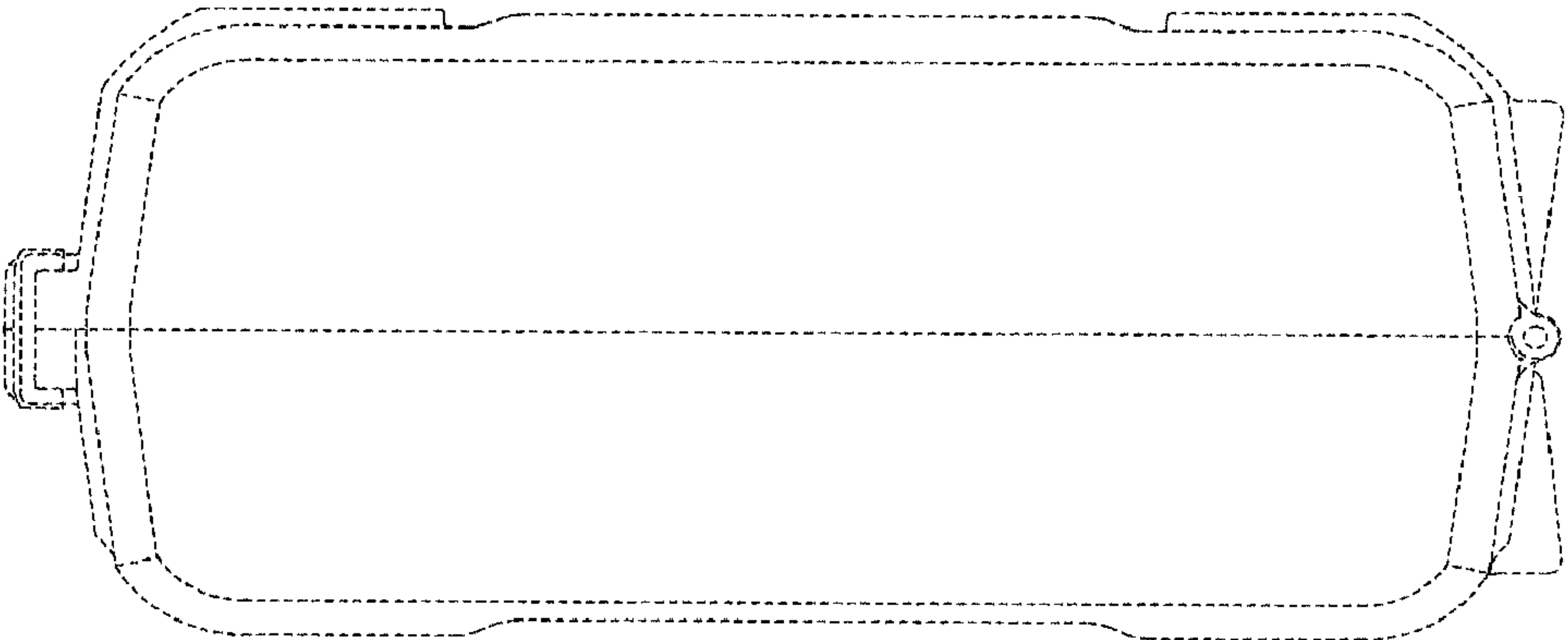


FIG. 4

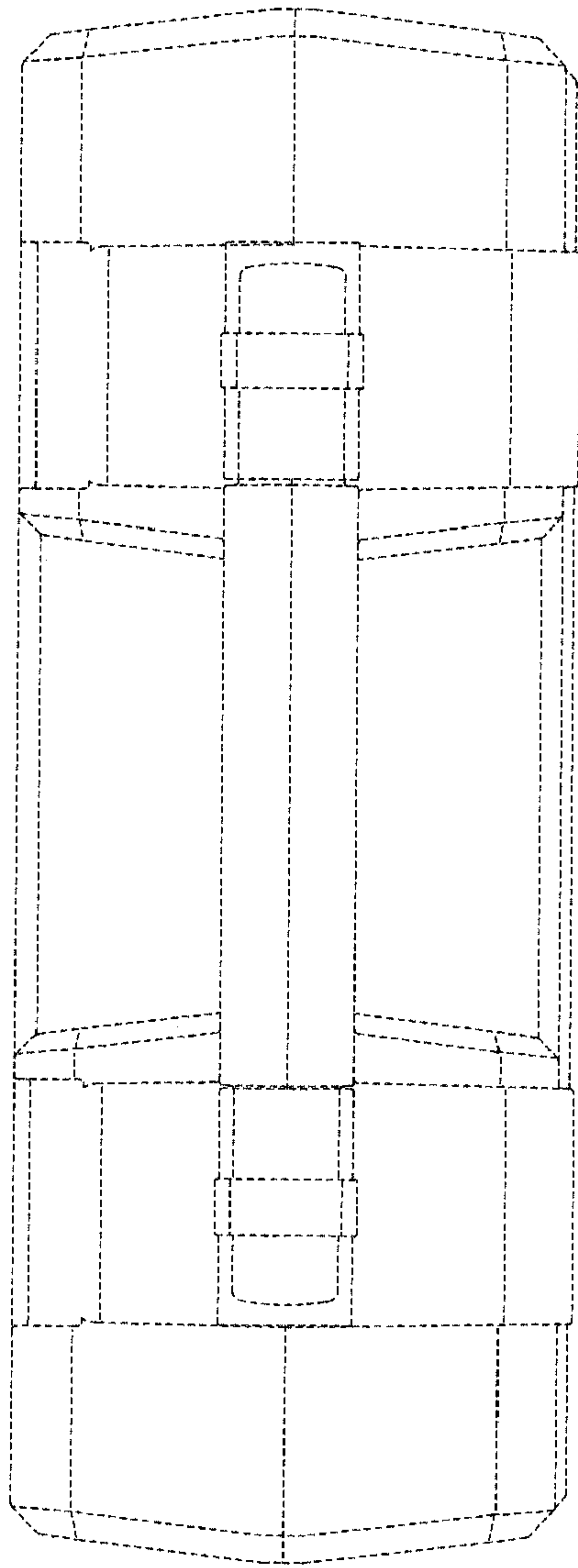


FIG. 6

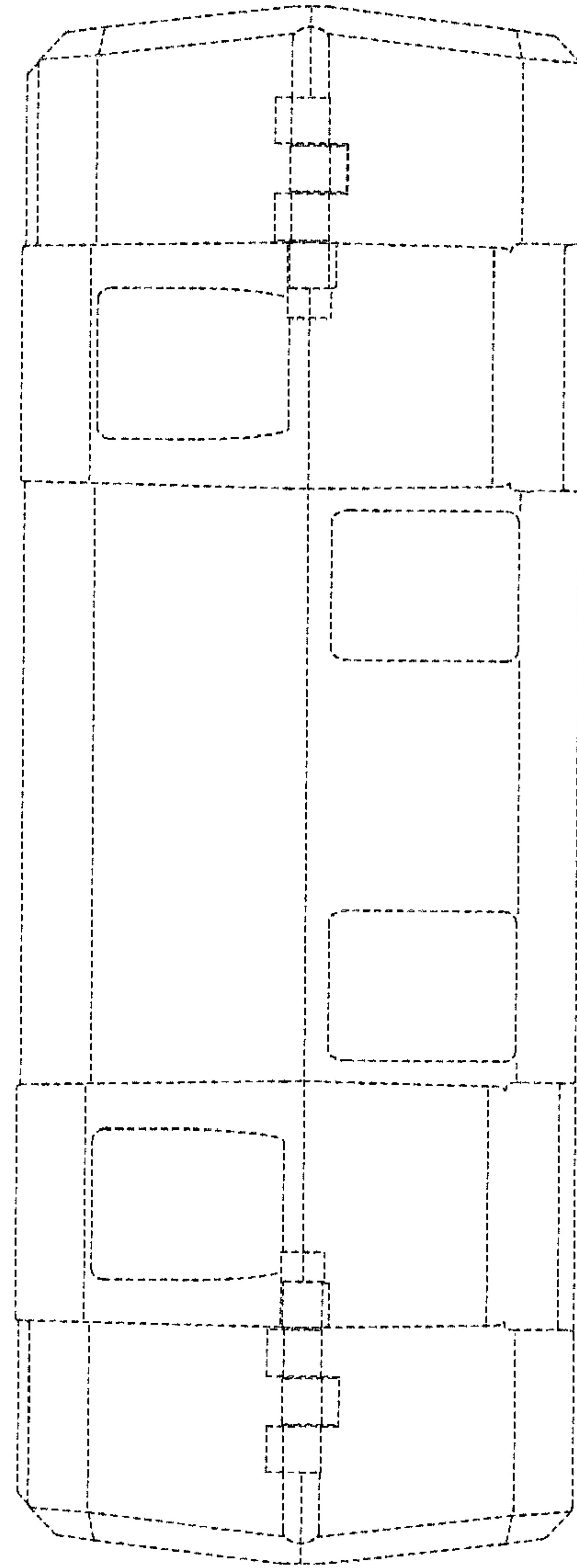


FIG. 7