



US00D661902S

(12) **United States Design Patent**
Italiano

(10) **Patent No.:** **US D661,902 S**
(45) **Date of Patent:** **** Jun. 19, 2012**

(54) **CAULKING TUBE HOLDER**
(76) Inventor: **Gary Italiano**, Lanoka Harbor, NJ (US)
(**) Term: **14 Years**
(21) Appl. No.: **29/316,459**
(22) Filed: **Sep. 30, 2009**
(51) **LOC (9) Cl.** **03-01**
(52) **U.S. Cl.** **D3/313**
(58) **Field of Classification Search** D3/228,
D3/304-309, 313, 315, 319; 206/201, 384,
206/203; 211/70.6, 69, 69.5, 60.1, 60.9,
211/69.1, 71.01; D9/753; D11/147, 152;
222/327, 130, 326, 386, 391
See application file for complete search history.

6,269,960 B1 * 8/2001 Harp 211/69.5
6,575,298 B1 * 6/2003 McArthur et al. 206/363
6,832,797 B1 12/2004 Gassel et al. 294/143
7,533,776 B2 5/2009 Nickerson 211/94.01
7,588,277 B2 * 9/2009 Crown 294/146

* cited by examiner

Primary Examiner — Robert M Spear
Assistant Examiner — Rashida C McCoy
(74) *Attorney, Agent, or Firm* — Goldstein Law Offices, P.C.

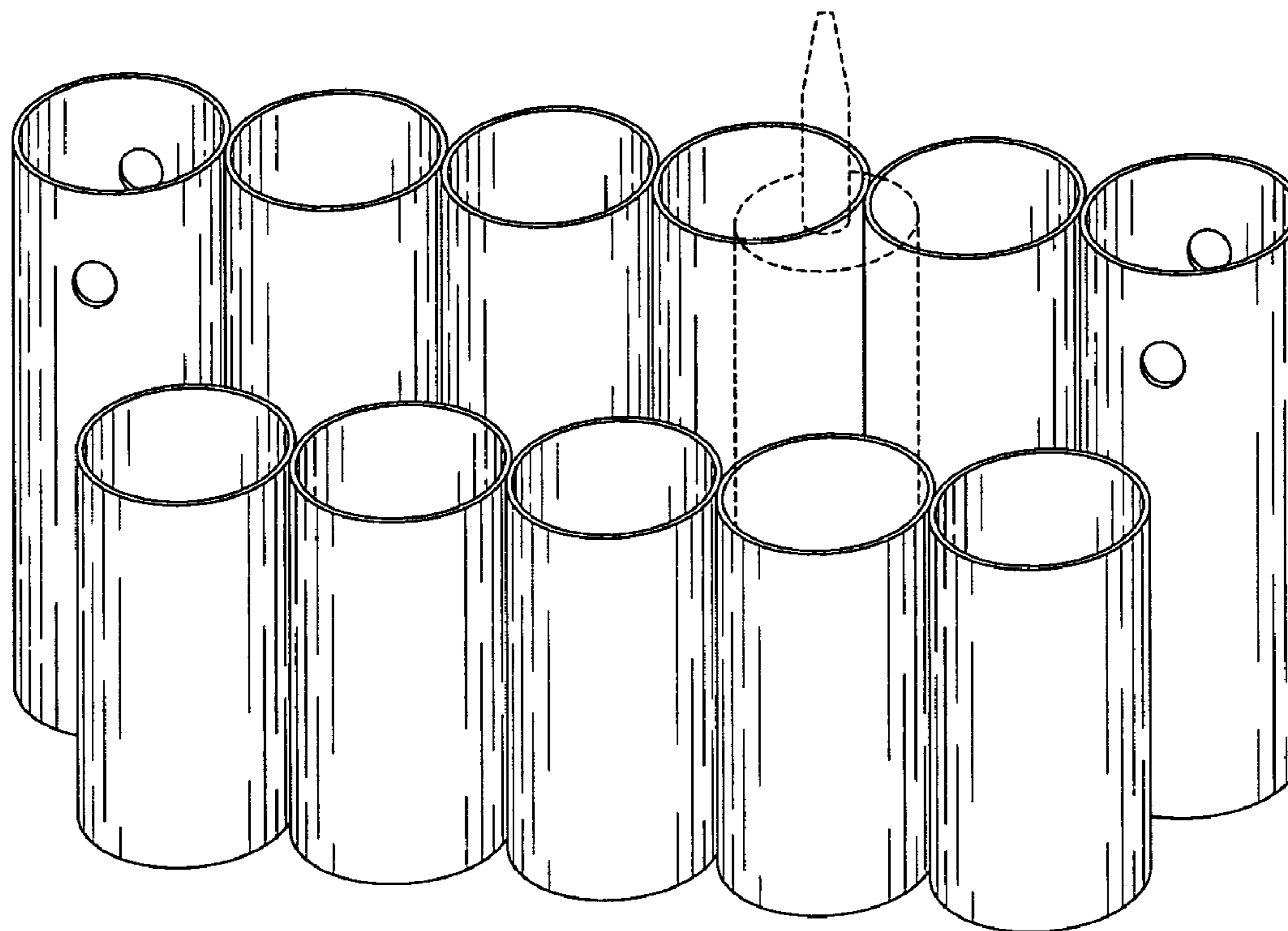
(57) **CLAIM**
The ornamental design for a caulking tube holder, as shown and described.

DESCRIPTION

FIG. 1 is a perspective view of the caulking tube holder in full lines with a caulking tube shown in broken lines representing environmental association matter being for illustrative purposes only and forming no part of the claimed design. FIG. 2 is a front elevational view of the caulking tube holder. FIG. 3 is a rear elevational view thereof. FIG. 4 is left side elevational view thereof. FIG. 5 is a right side elevational view thereof. FIG. 6 is a top plan view thereof; and, FIG. 7 is a bottom plan view thereof.

(56) **References Cited**
U.S. PATENT DOCUMENTS
D233,120 S * 10/1974 Dawson D7/701
D244,060 S * 4/1977 Friend D99/34
4,305,512 A 12/1981 Mackenzie 211/75
4,339,071 A * 7/1982 Hall 232/5
D288,259 S * 2/1987 Tranchida D99/37
5,080,240 A 1/1992 Williams 211/70.6
5,484,066 A * 1/1996 Luisi 211/69.8
5,871,106 A 2/1999 Oksa et al. 211/70.6
6,102,215 A 8/2000 Guida 211/70.6

1 Claim, 2 Drawing Sheets



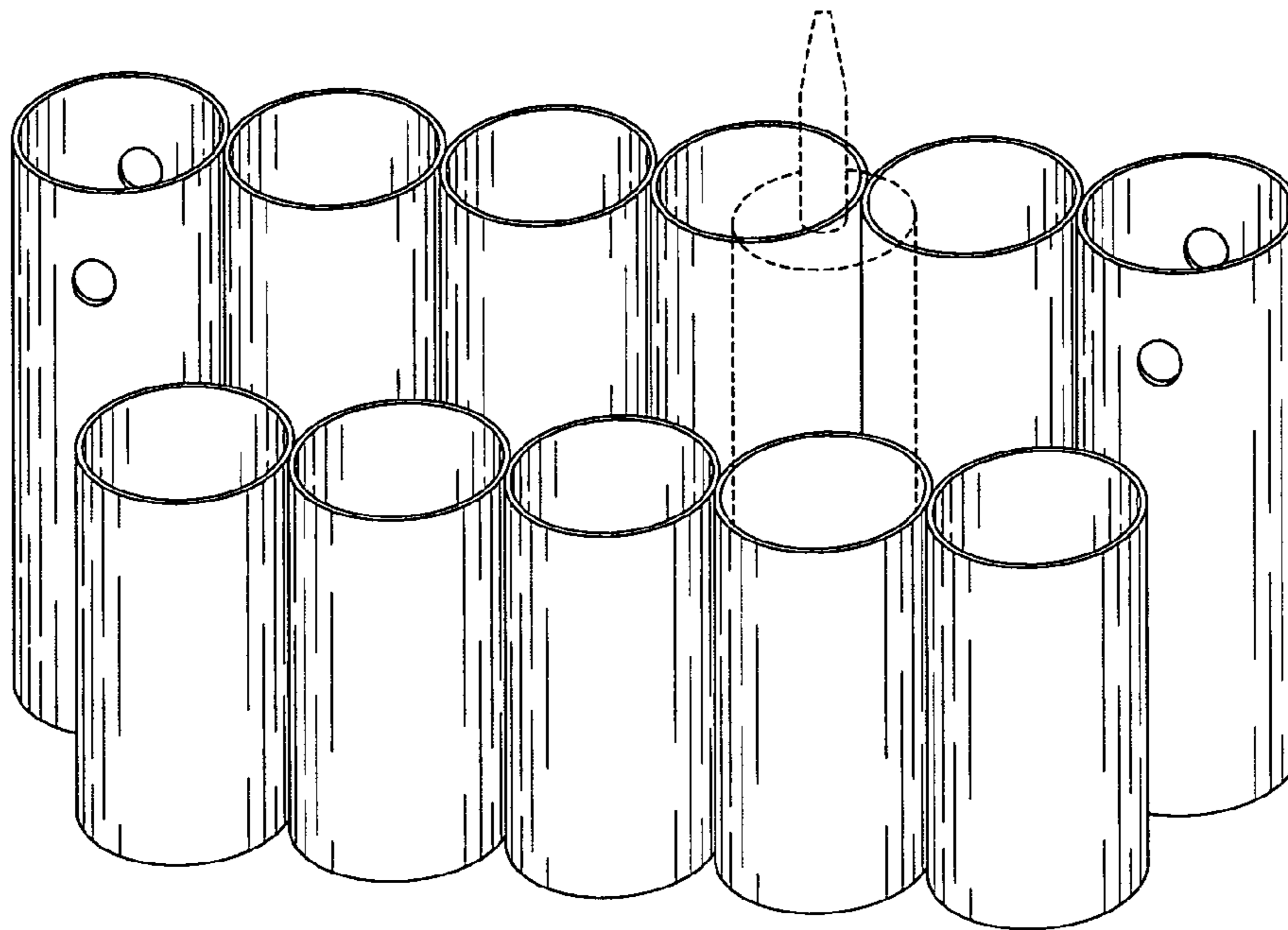


FIG. 1

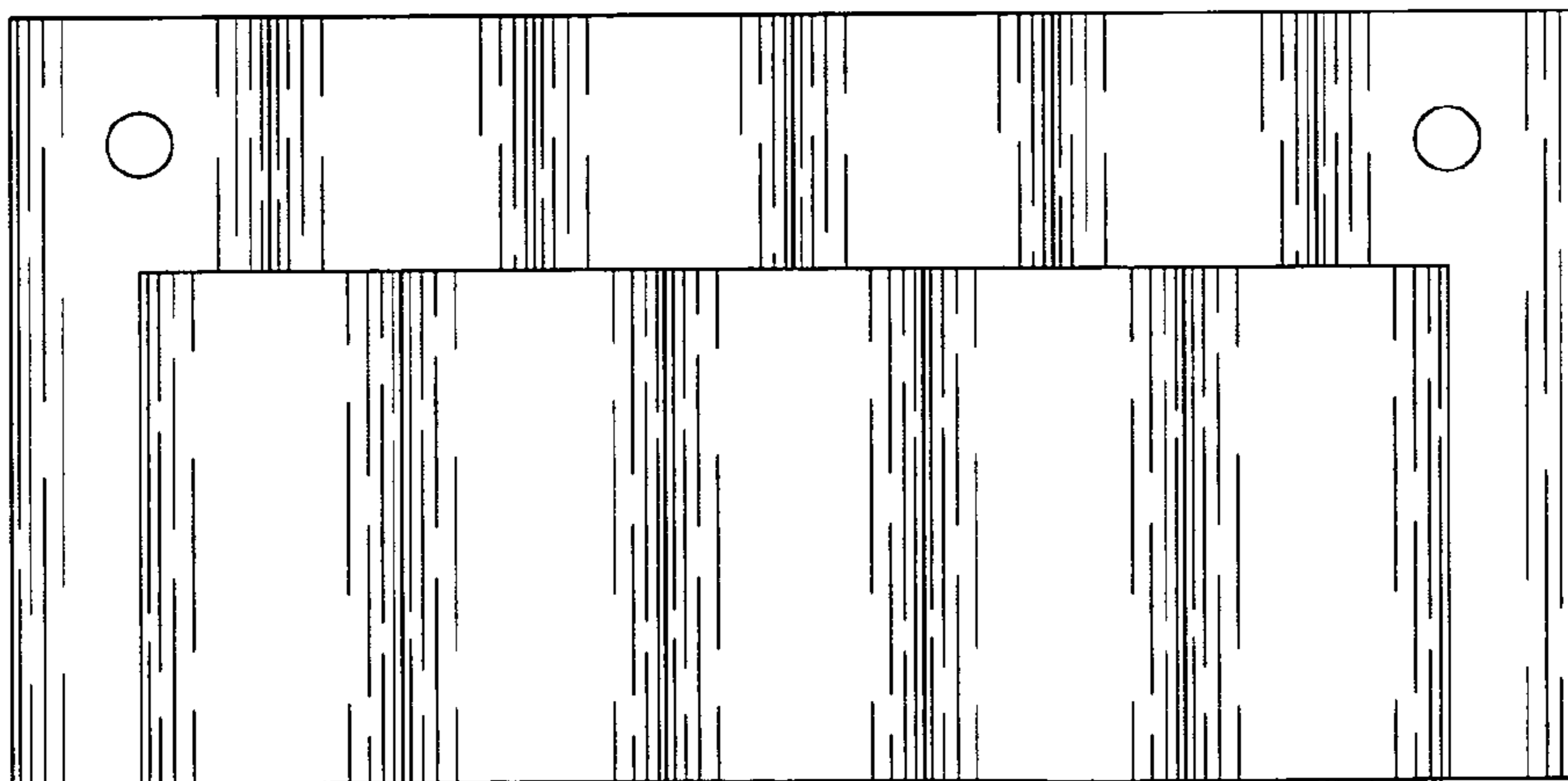


FIG. 2

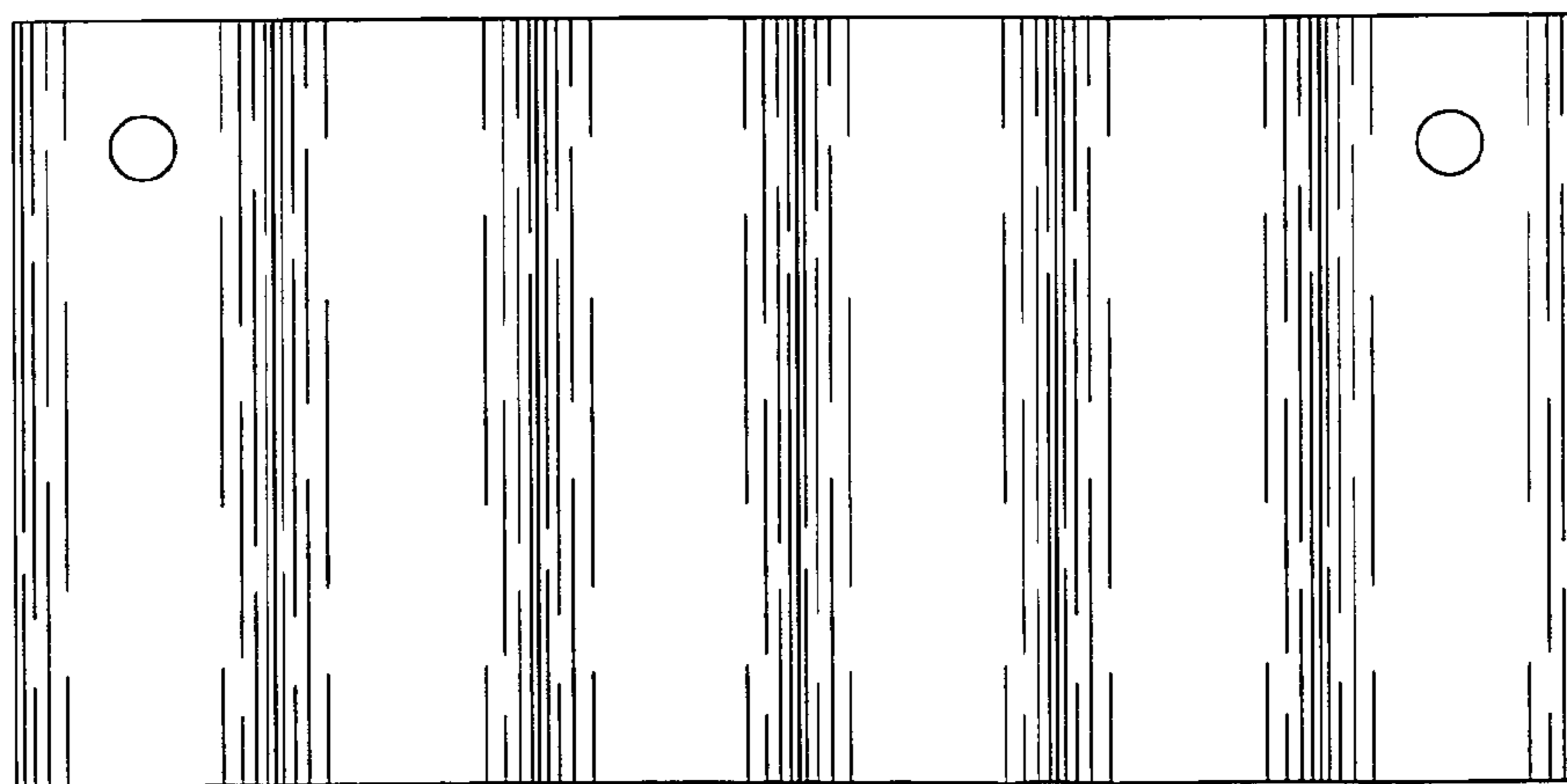


FIG. 3

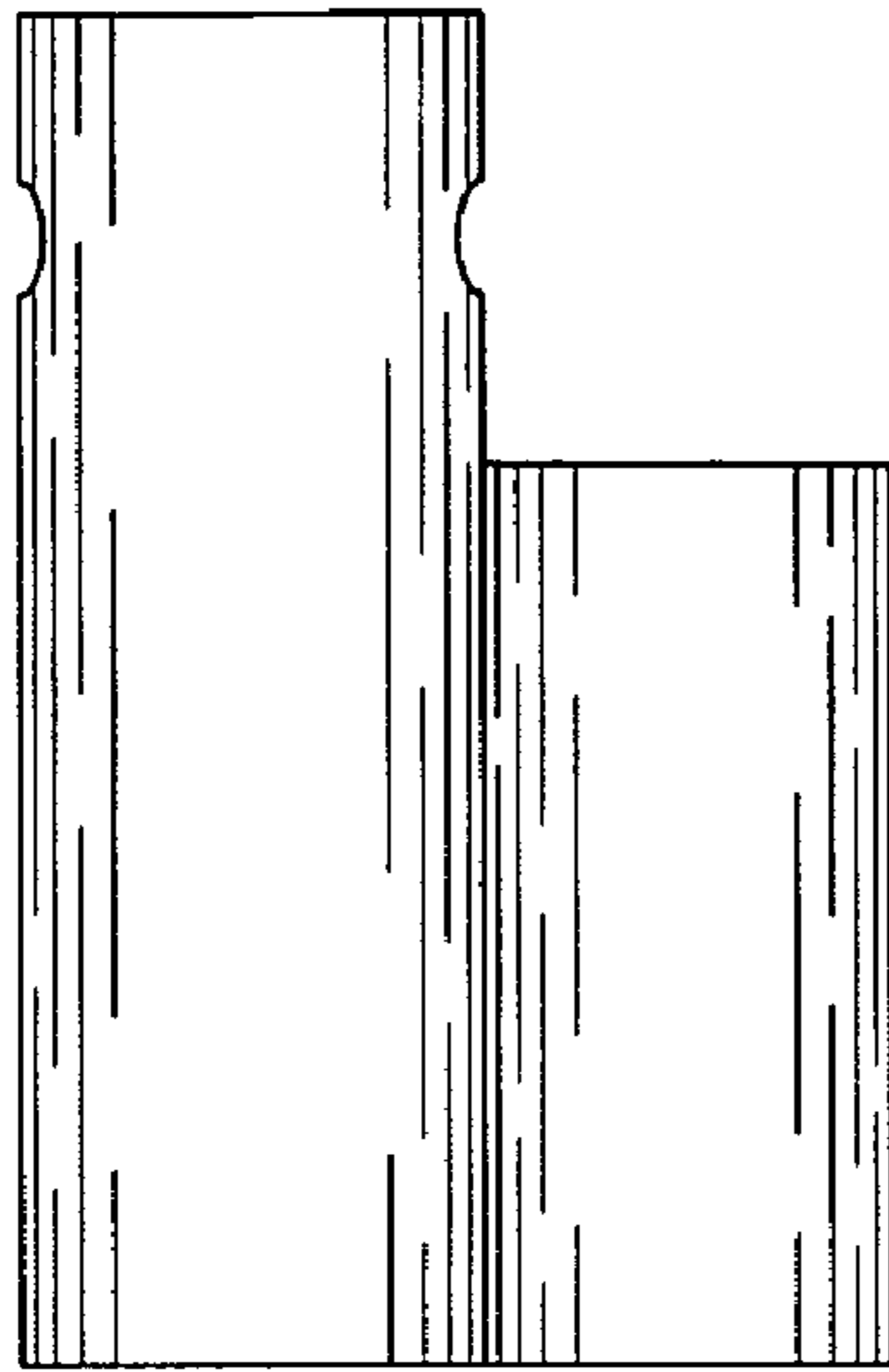


FIG. 4

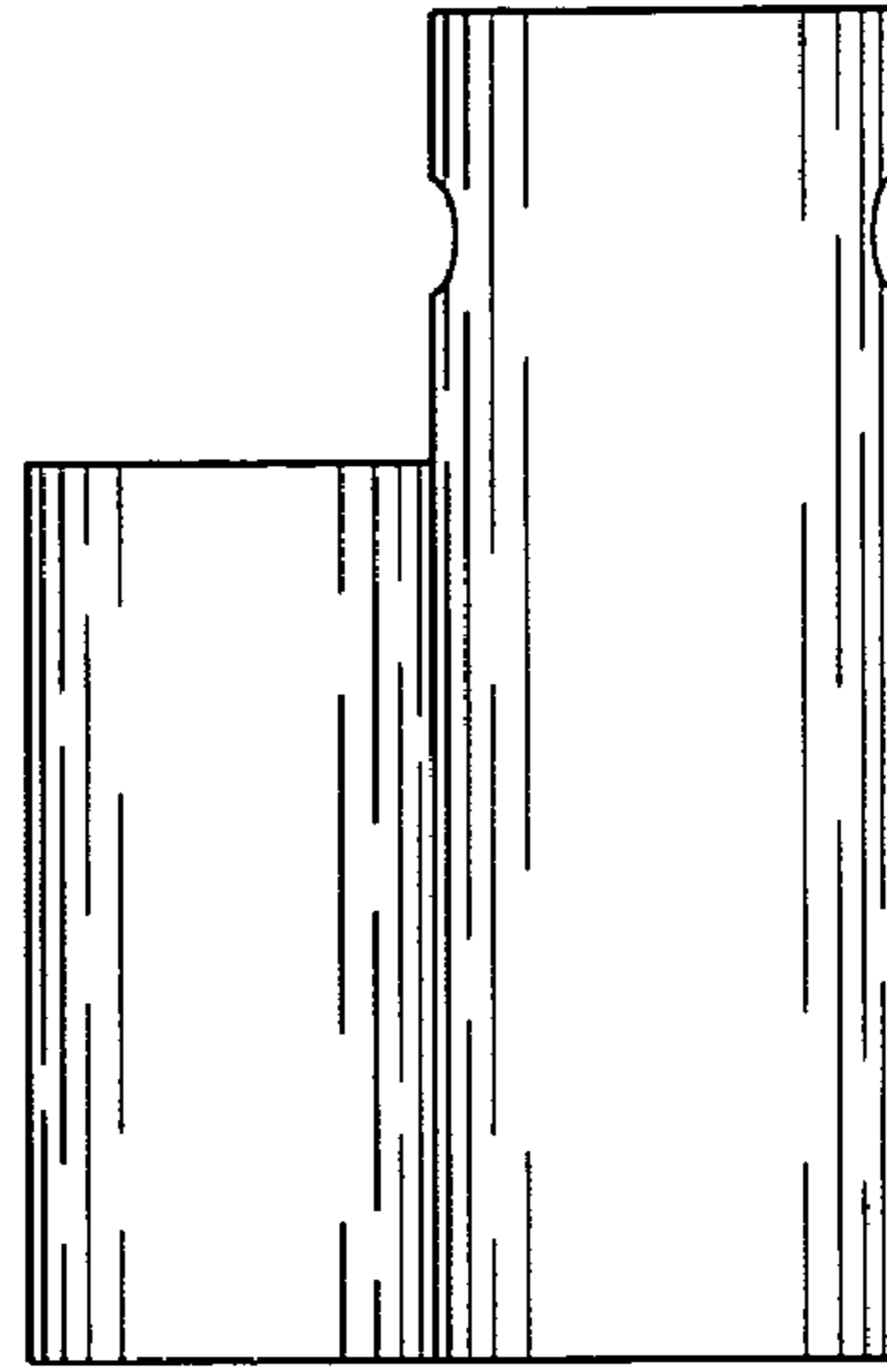


FIG. 5

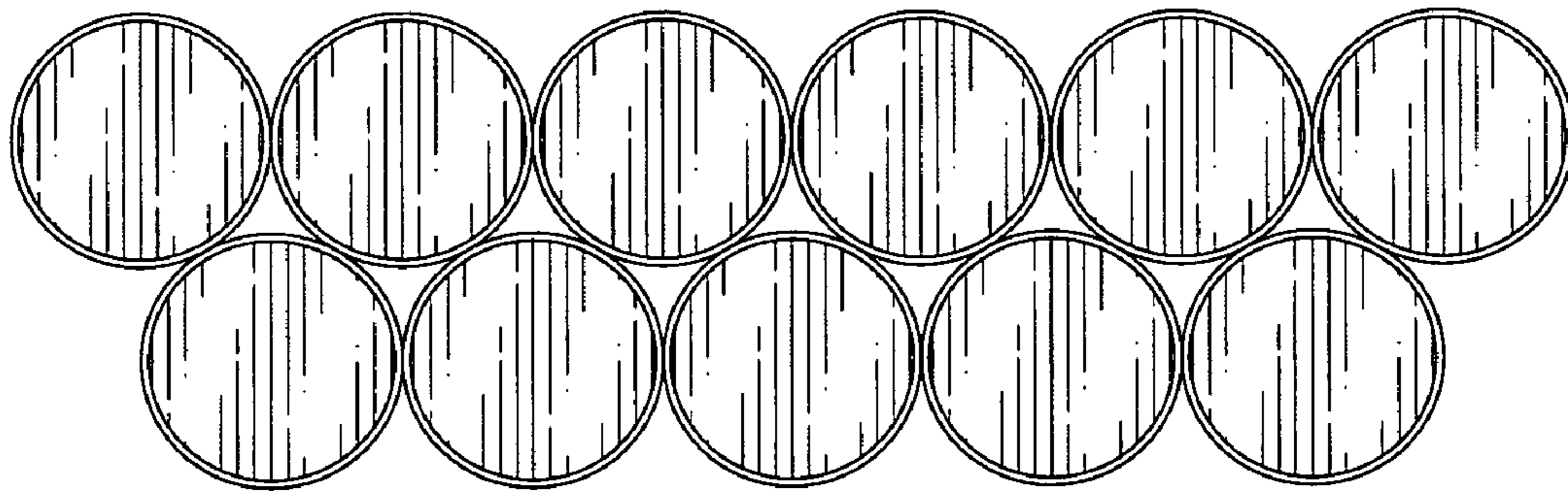


FIG. 6

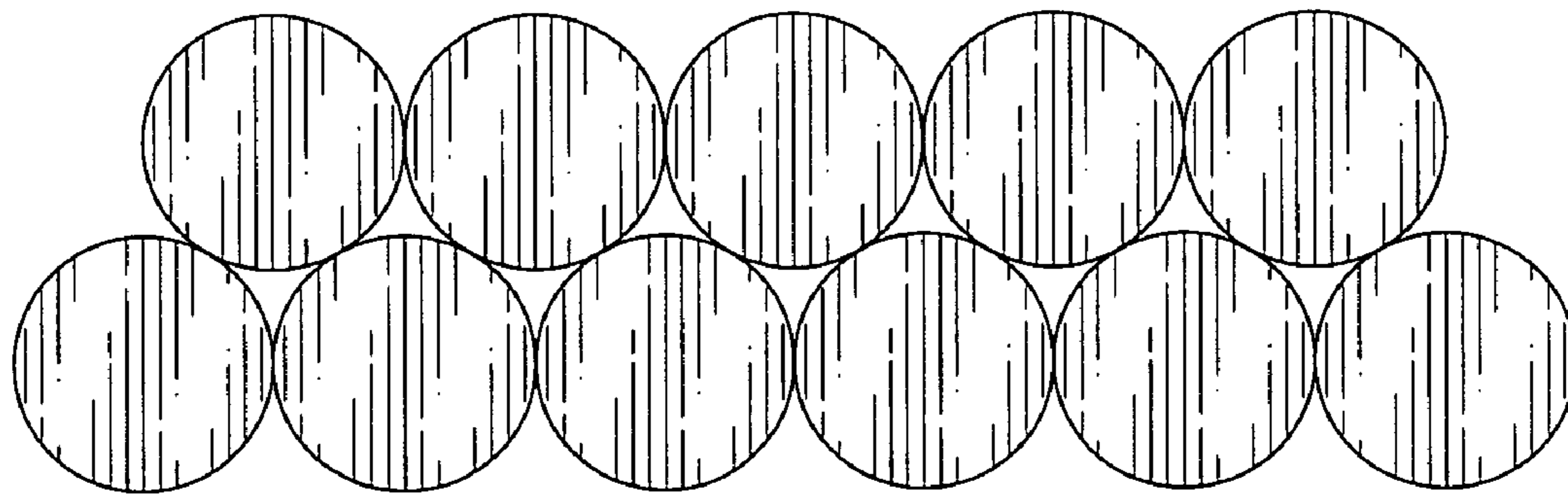


FIG. 7