



US00D661896S

(12) **United States Design Patent**
Hayden

(10) **Patent No.:** **US D661,896 S**
(45) **Date of Patent:** **** Jun. 19, 2012**

(54) **TOOLBOX**

DESCRIPTION

(75) Inventor: **Ian Hayden**, London (GB)
(73) Assignee: **Brand Addition Limited**, London (GB)
(**) Term: **14 Years**
(21) Appl. No.: **29/384,317**
(22) Filed: **Jan. 28, 2011**

(30) **Foreign Application Priority Data**

Jul. 29, 2010 (EM) 001737925

(51) **LOC (9) Cl.** **03-01**
(52) **U.S. Cl.** **D3/281; D3/283; D3/905**
(58) **Field of Classification Search** D3/254,
D3/260, 273, 276, 280, 283–291, 302, 301,
D3/303, 905; 220/523, 524, 527; 206/349,
206/372–379; 190/109, 111, 115, 107, 126,
190/903; D7/605

See application file for complete search history.

(56) **References Cited**

U.S. PATENT DOCUMENTS

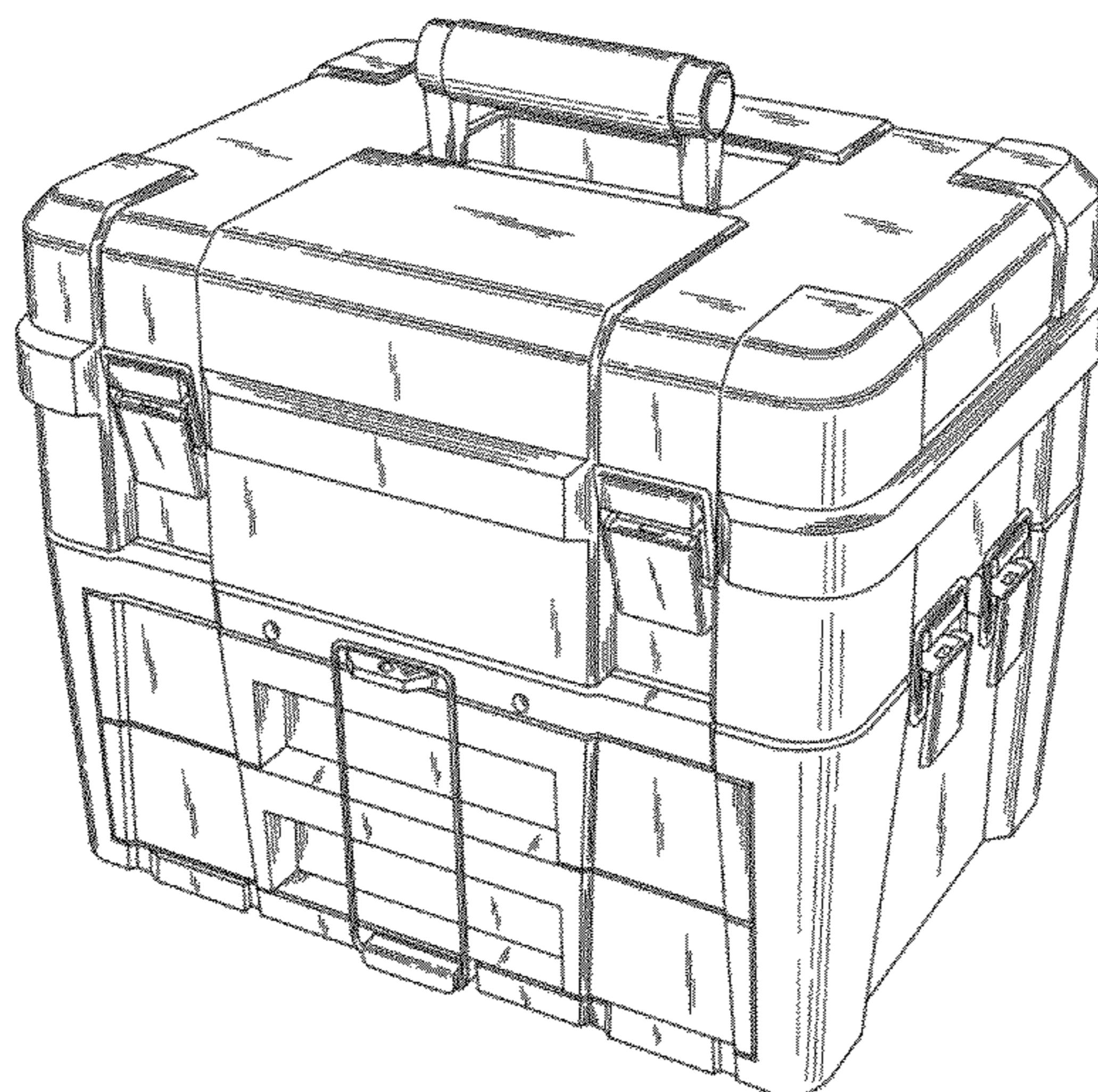
D462,168 S * 9/2002 Klemmensen et al. D3/279
D517,805 S * 3/2006 Hosking D3/295
D526,782 S * 8/2006 Hosking D3/296
D626,334 S * 11/2010 Bollani D3/281
D649,350 S * 11/2011 Shitrit D3/281
2010/0108549 A1 * 5/2010 Eggers et al. 206/349
* cited by examiner

Primary Examiner — Jennifer Rivard
(74) *Attorney, Agent, or Firm* — Knobbe, Martens, Olson &
Bear, LLP

(57) **CLAIM**
The ornamental design for a toolbox, as shown and described.

FIG. 1 is a first perspective view of a first specific embodiment of a toolbox showing the top, front, and right sides of my new design.
FIG. 2 is a second perspective view thereof, showing the top, rear, and left sides.
FIG. 3 is a front elevational view thereof.
FIG. 4 is rear elevational view thereof.
FIG. 5 is right side elevational view thereof. The left side elevational view is a mirror image of the right side.
FIG. 6 is top plan view thereof.
FIG. 7 is bottom plan view thereof.
FIG. 8 is a first perspective view of a second specific embodiment of the toolbox showing the top, front, and right sides.
FIG. 9 is a second perspective view of the second specific embodiment, showing the top, rear, and left sides.
FIG. 10 is a front elevational view of the second specific embodiment.
FIG. 11 is rear elevational view of the second specific embodiment.
FIG. 12 is right side elevational view of the second specific embodiment. The left side elevational view of the second specific embodiment is a mirror image of the right side.
FIG. 13 is top plan view of the second specific embodiment.
FIG. 14 is bottom plan view of the second specific embodiment.
FIG. 15 is a first perspective view of a third embodiment of the toolbox showing the top, front, and right sides.
FIG. 16 is a second perspective view of the third embodiment, showing the top, rear, and left sides.
FIG. 17 is a front elevational view of the third embodiment.
FIG. 18 is rear elevational view of the third embodiment.
FIG. 19 is right side elevational view of the third embodiment. The left side elevational view of the third embodiment is a mirror image of the right side.
FIG. 20 is top plan view of the third embodiment; and,
FIG. 21 is bottom plan view of the third embodiment.

1 Claim, 21 Drawing Sheets



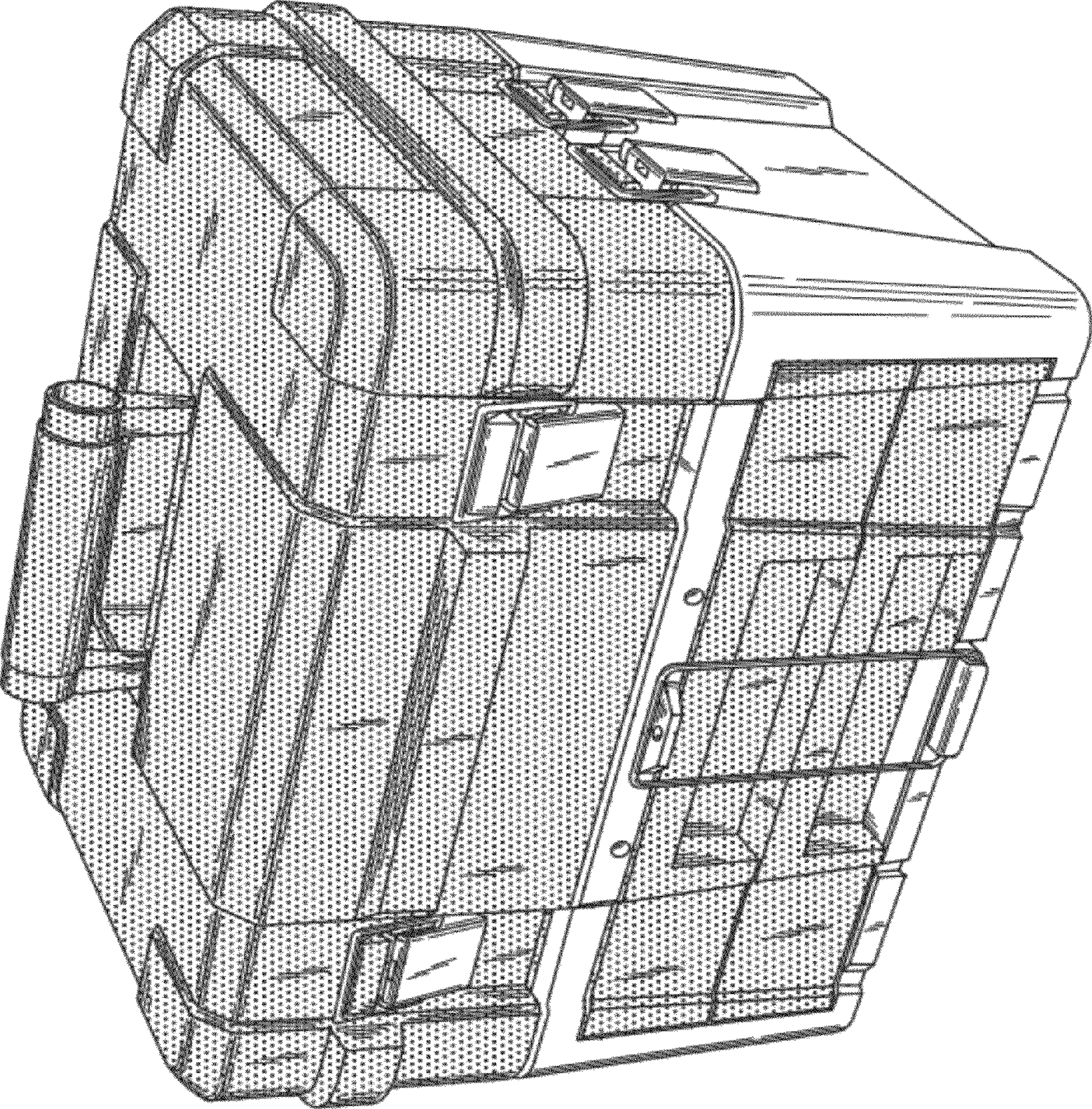


Fig. 1

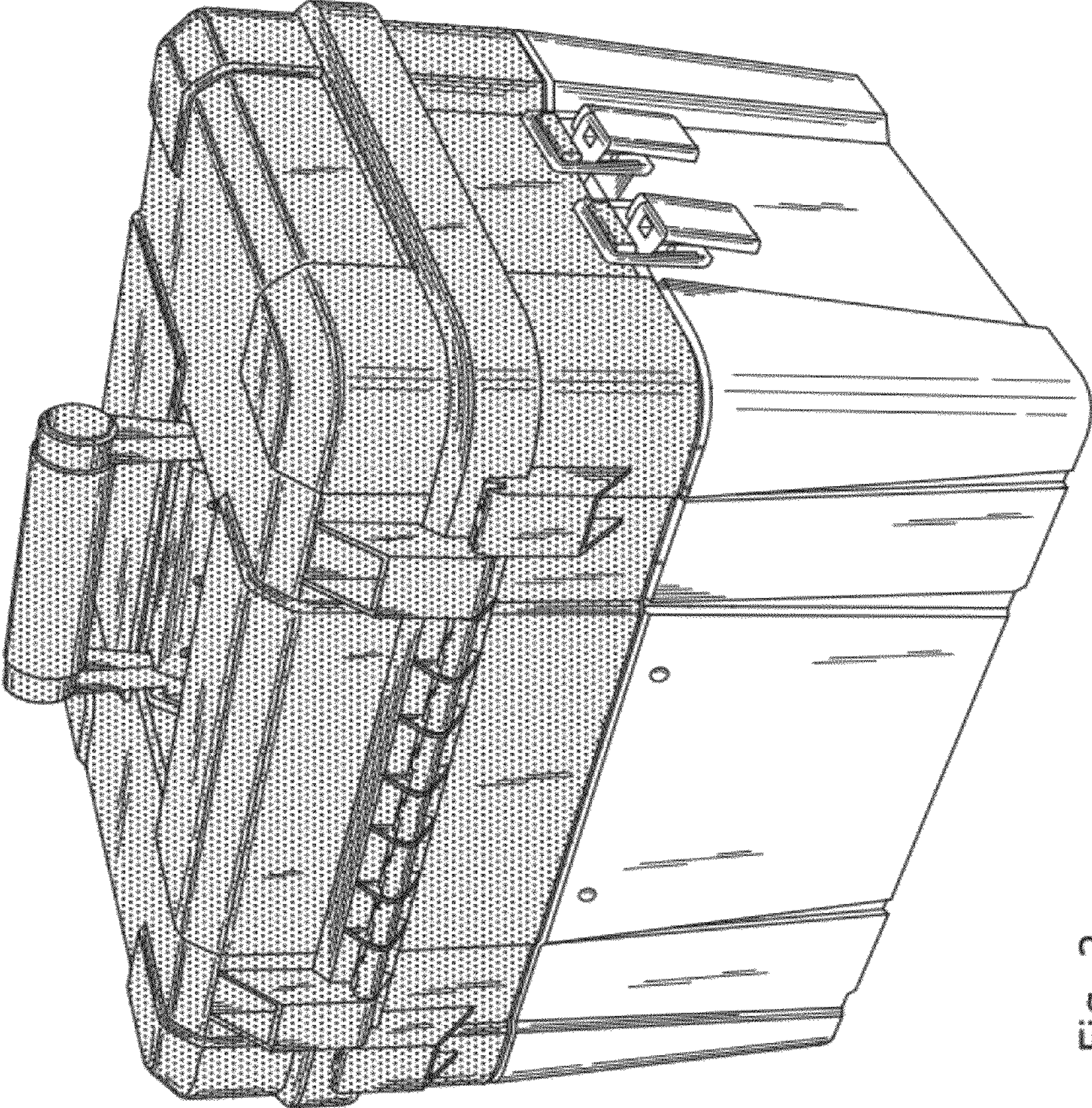


Fig. 2

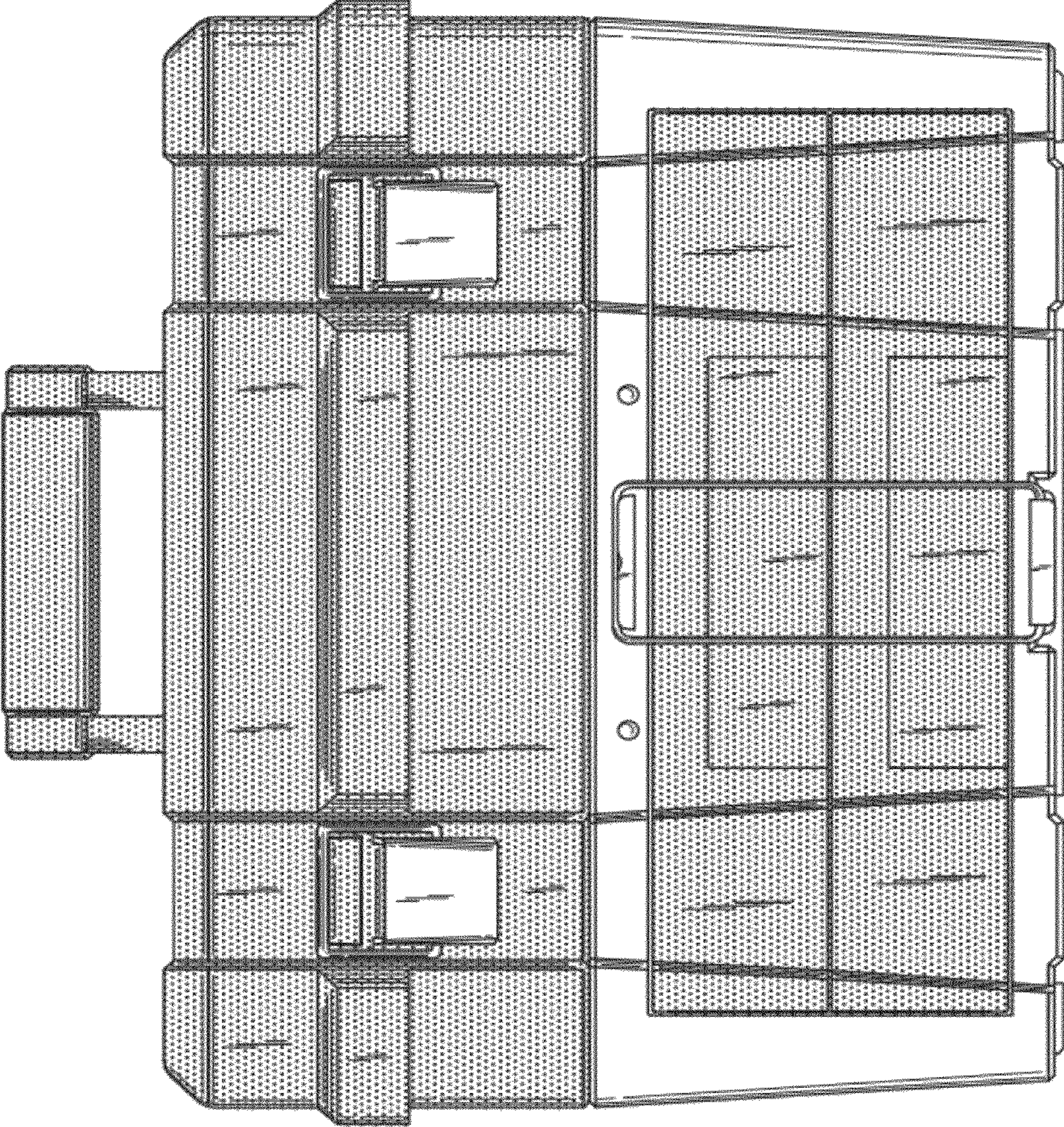


Fig. 3

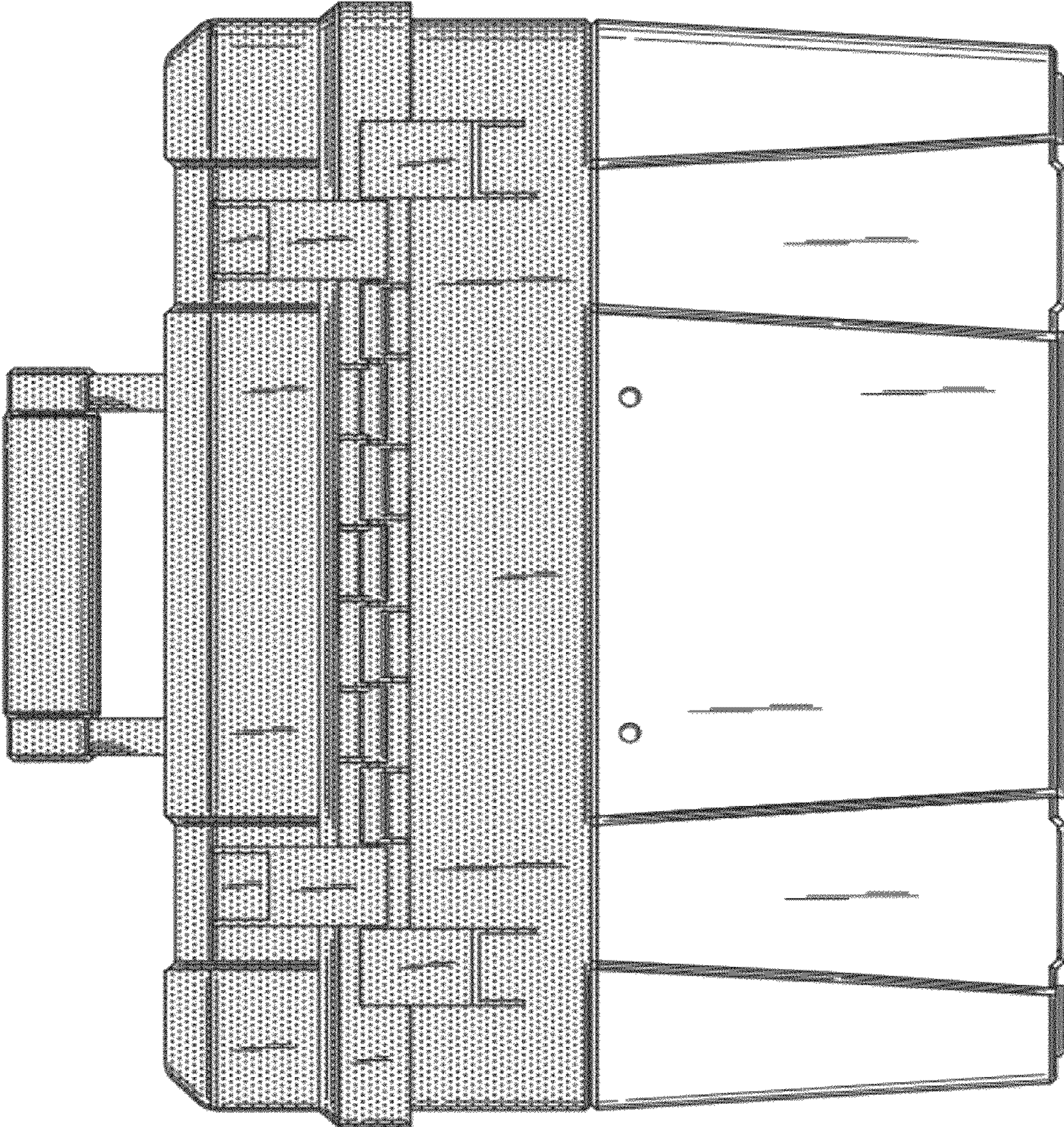


Fig. 4

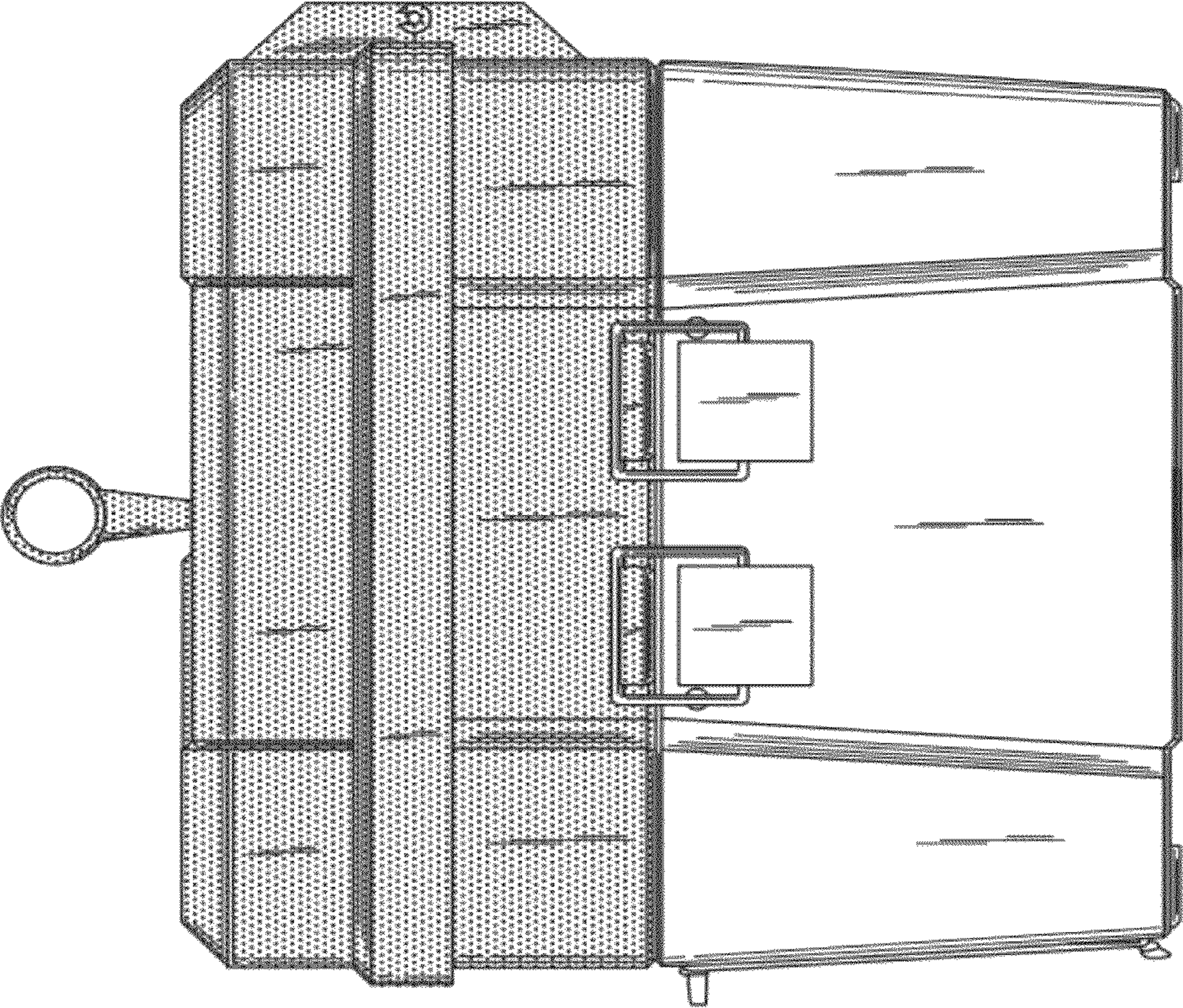


Fig. 5

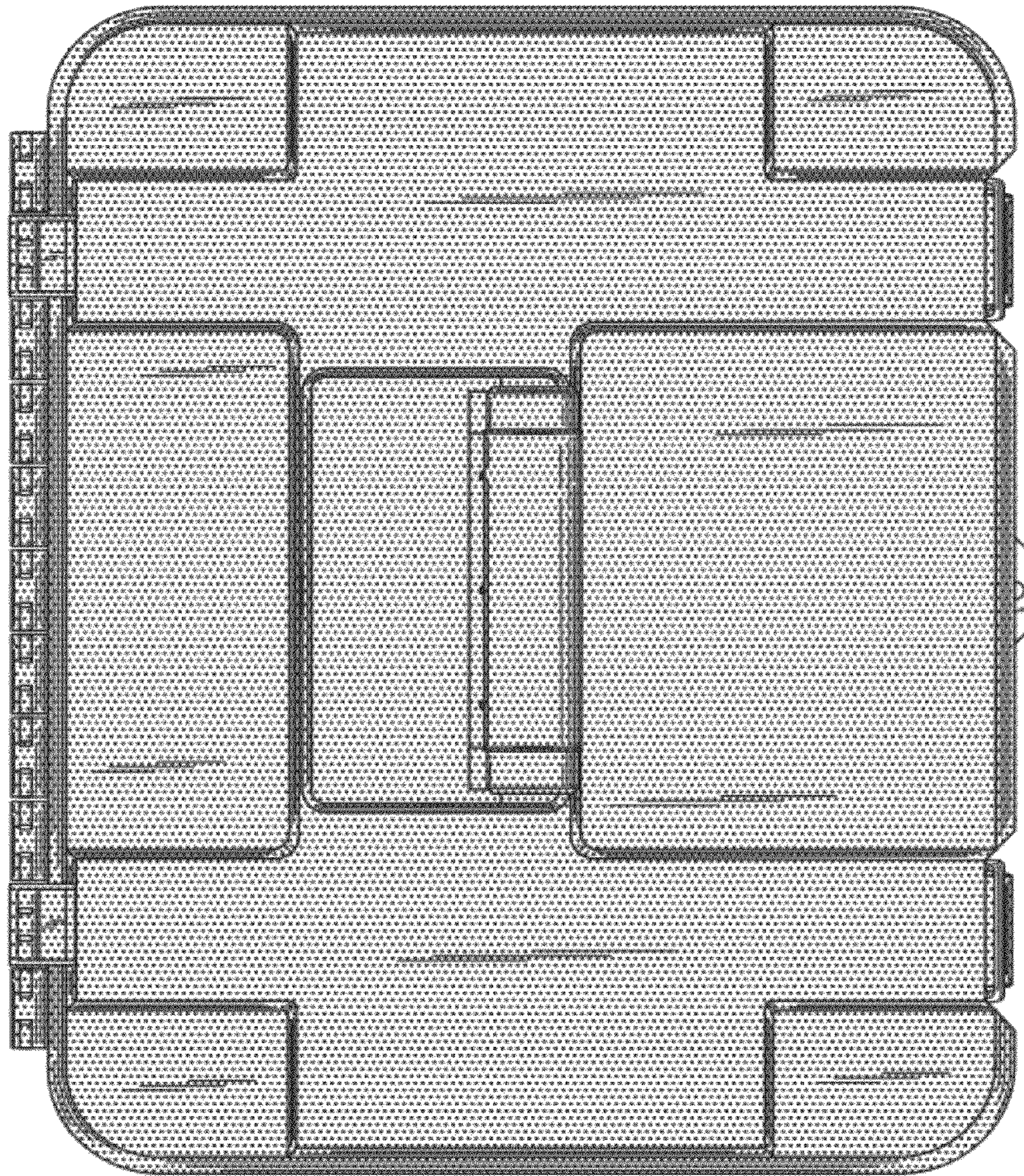


Fig. 6

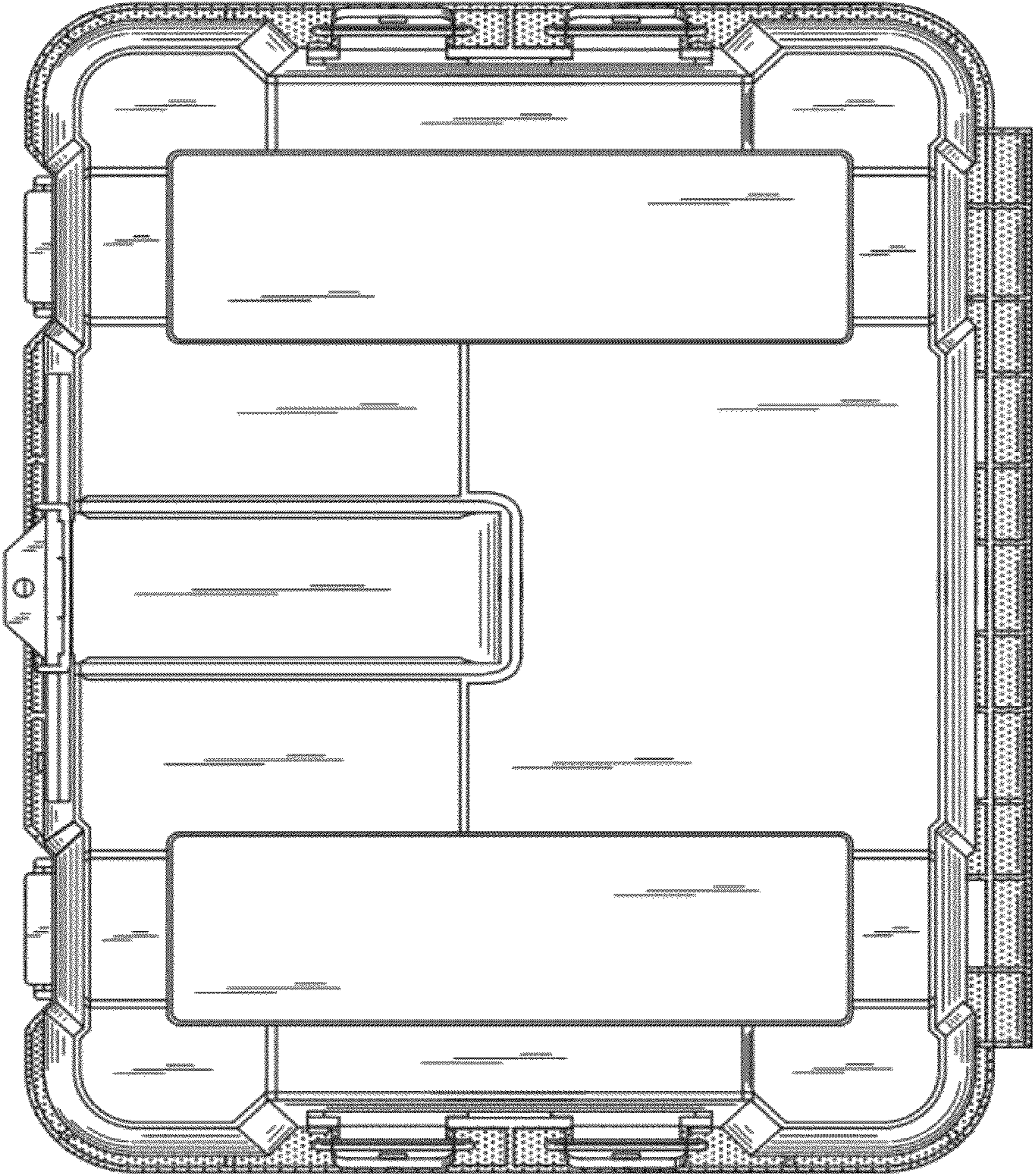


Fig. 7

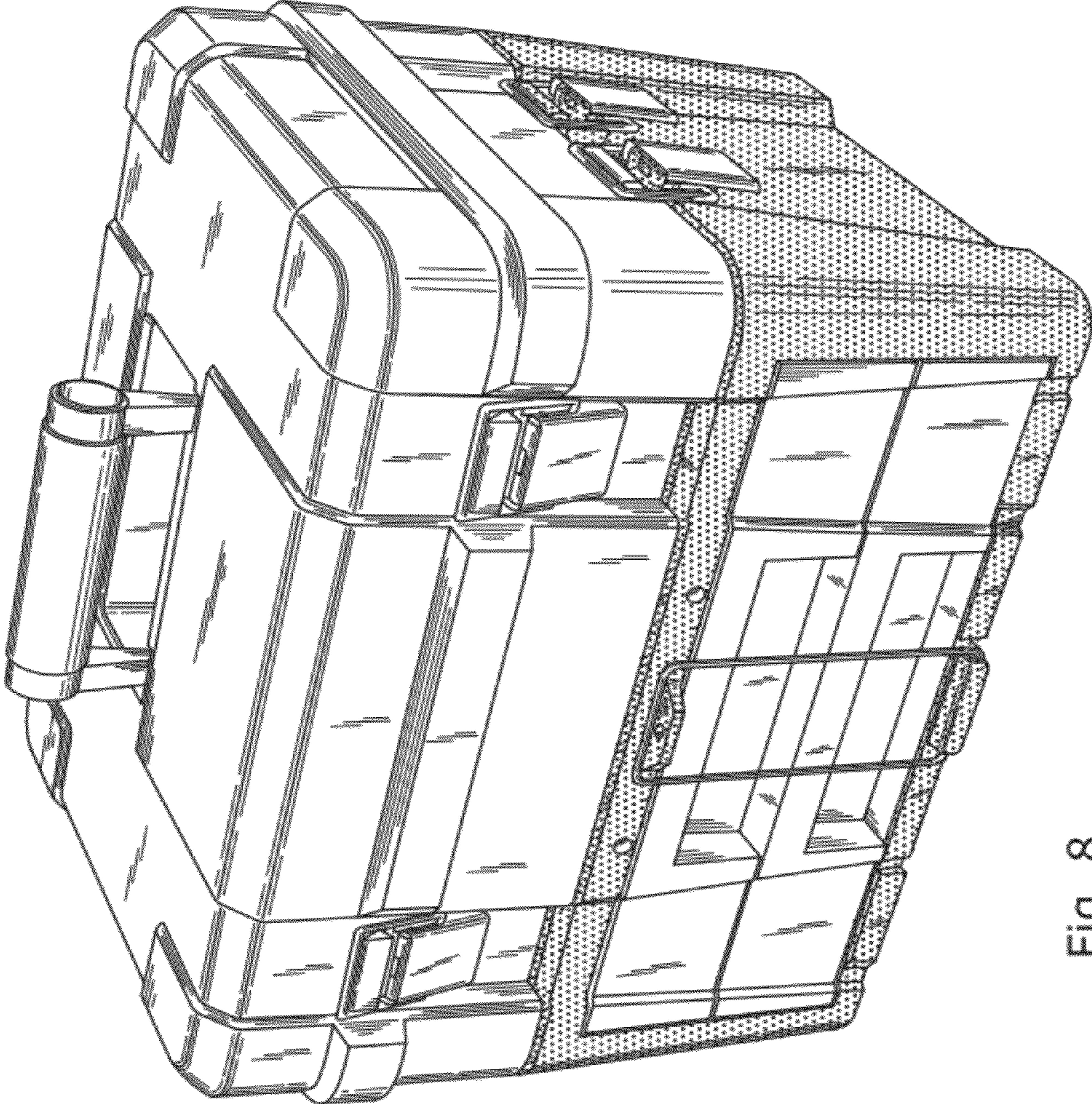


Fig. 8

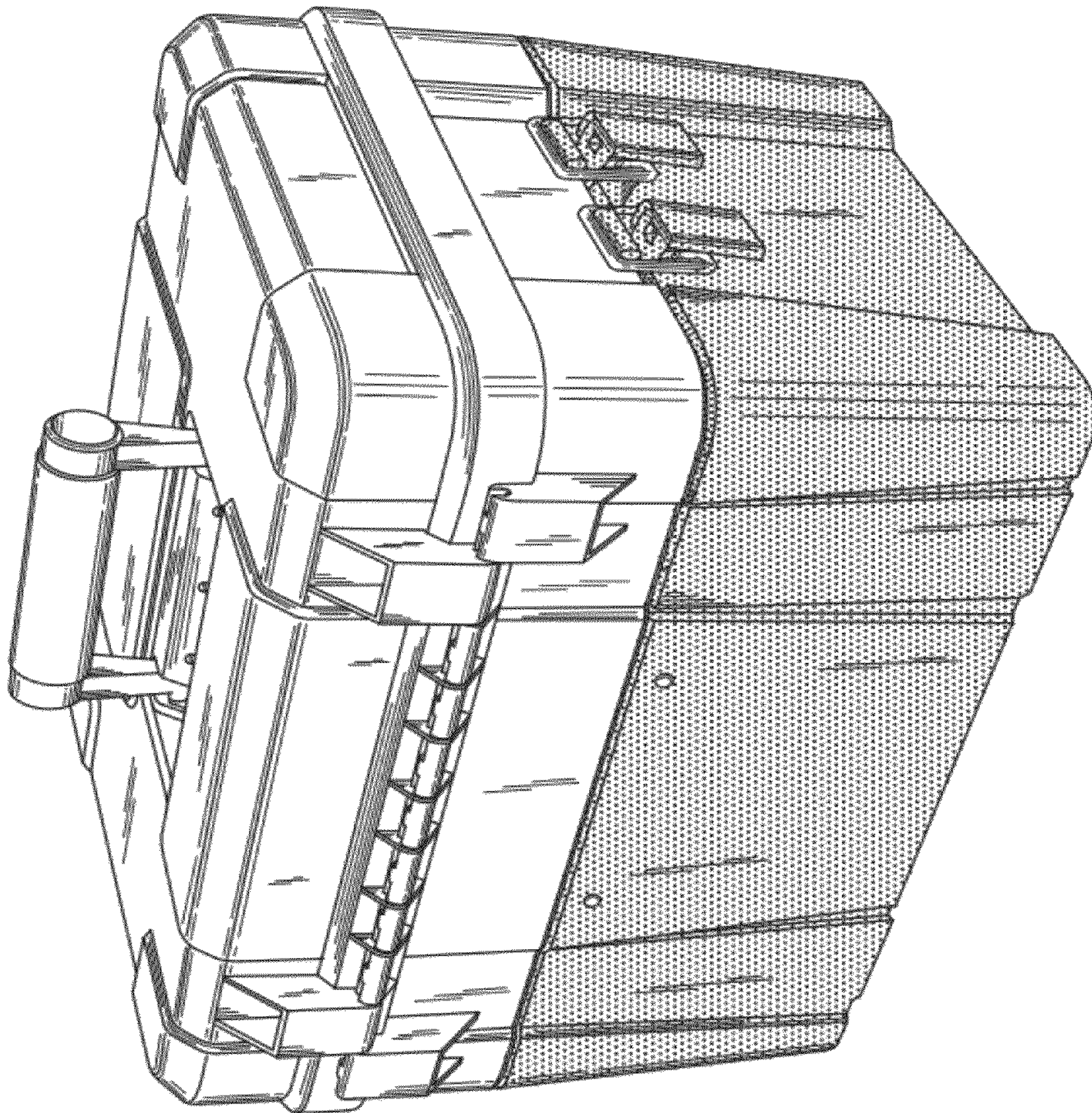


Fig. 9

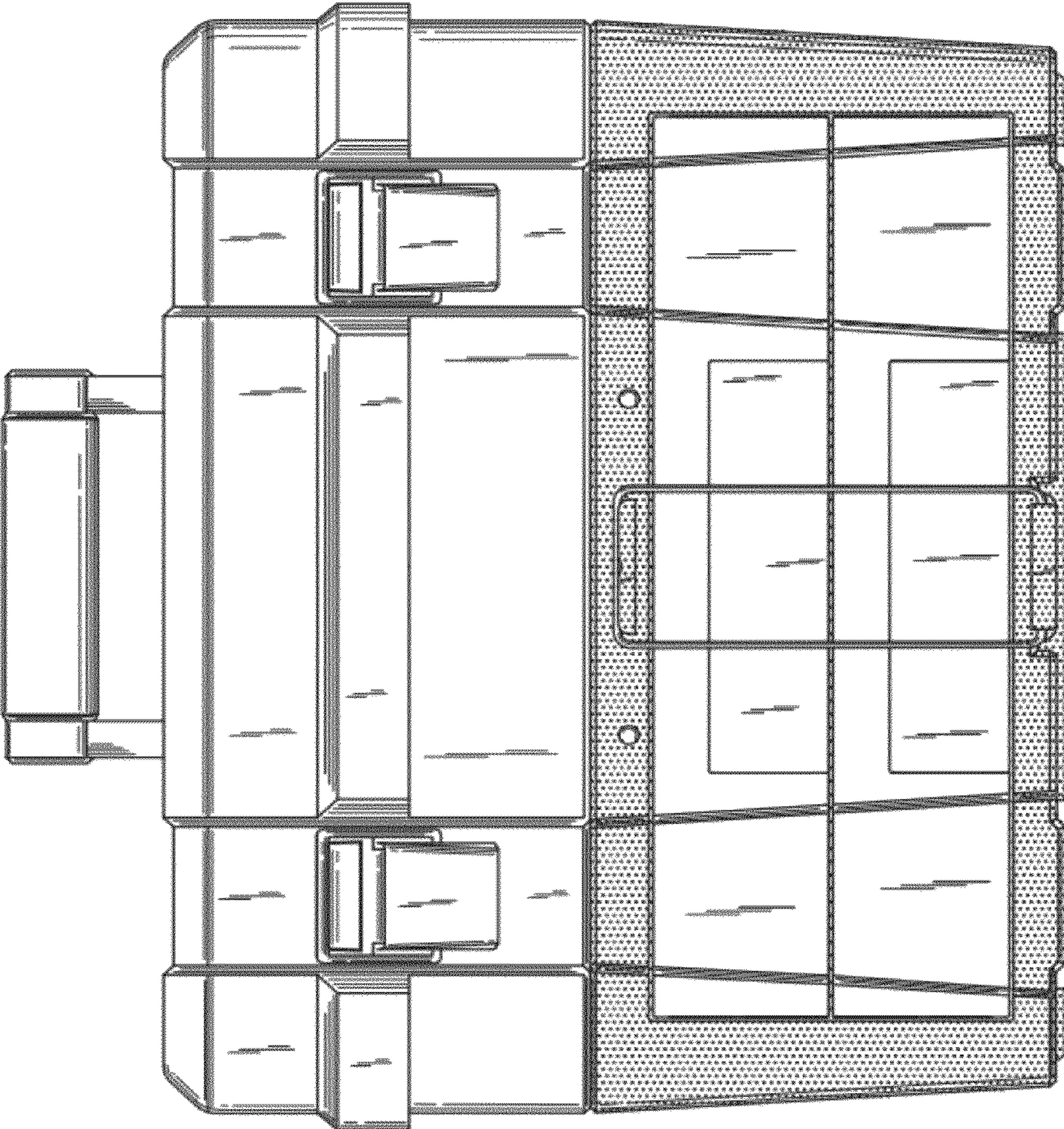


Fig. 10

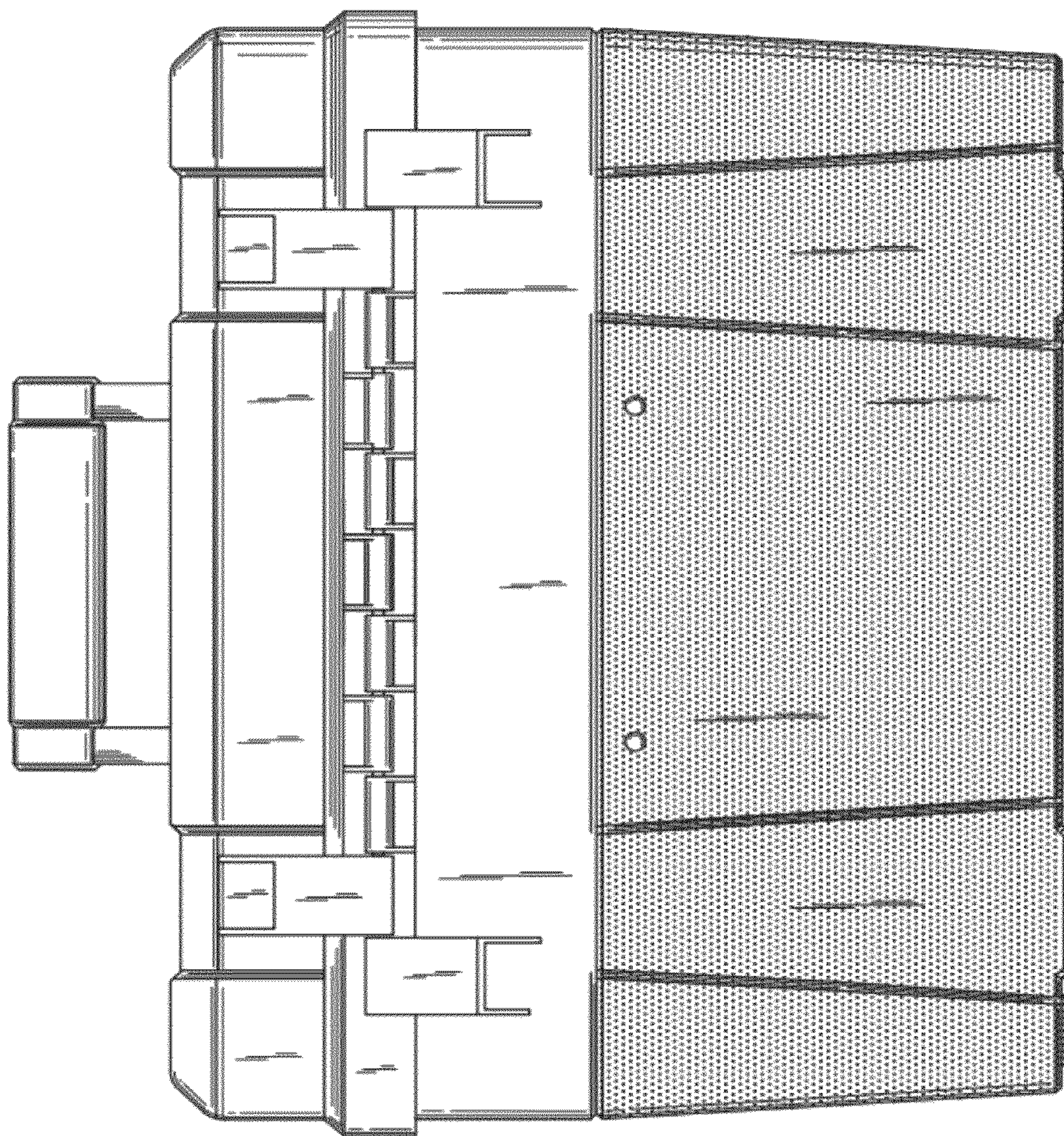


Fig. 11

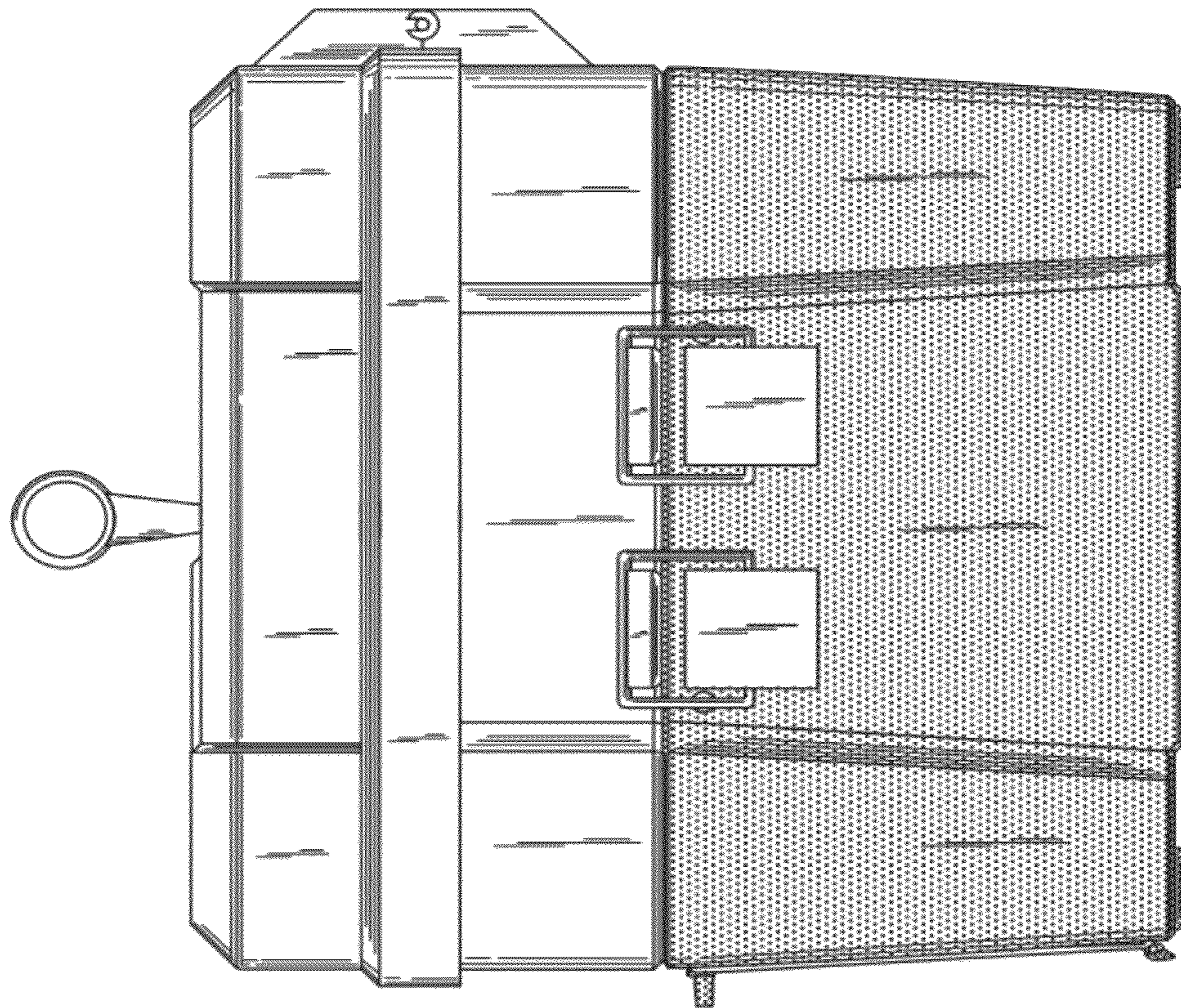


Fig. 12

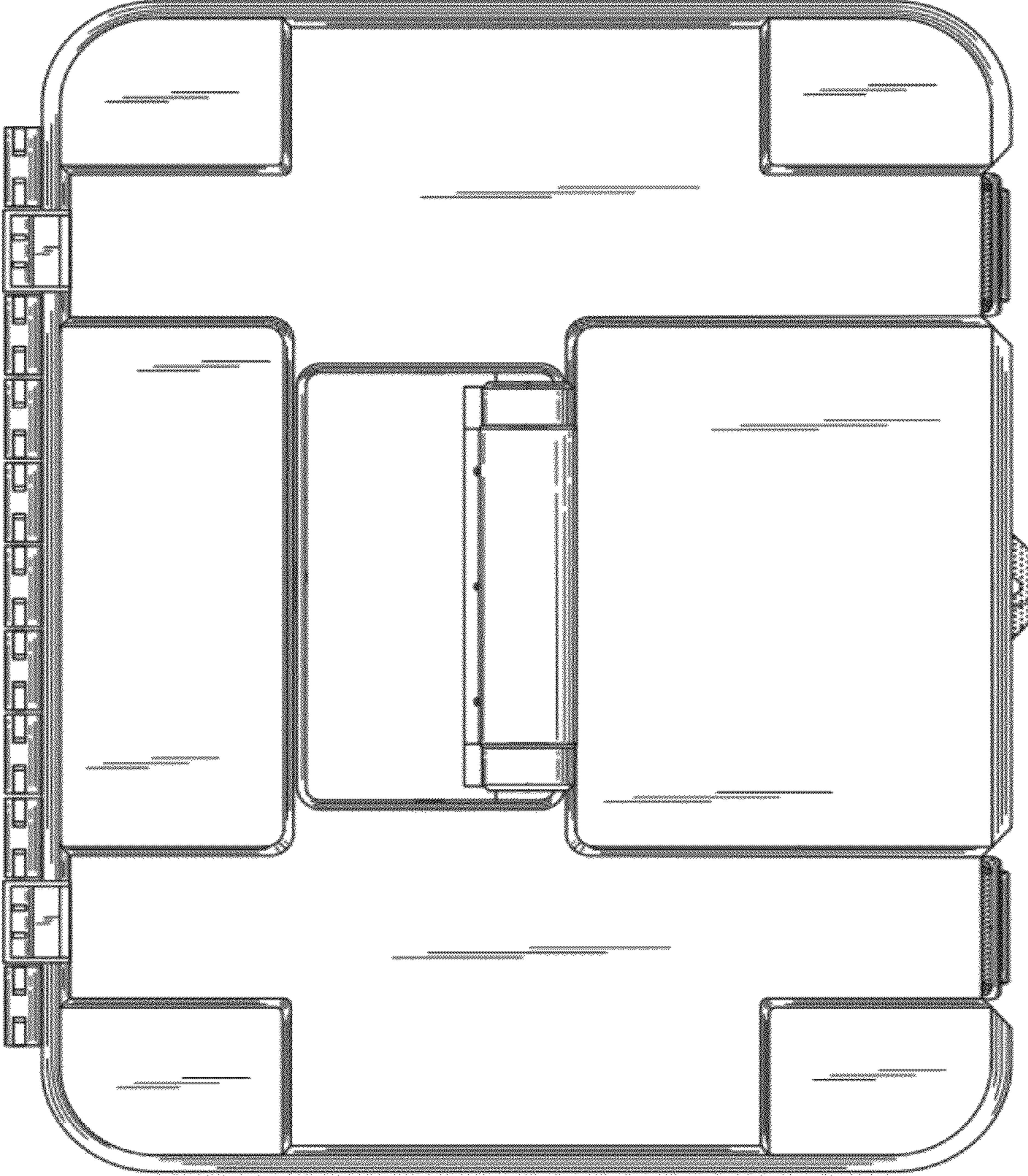


Fig. 13

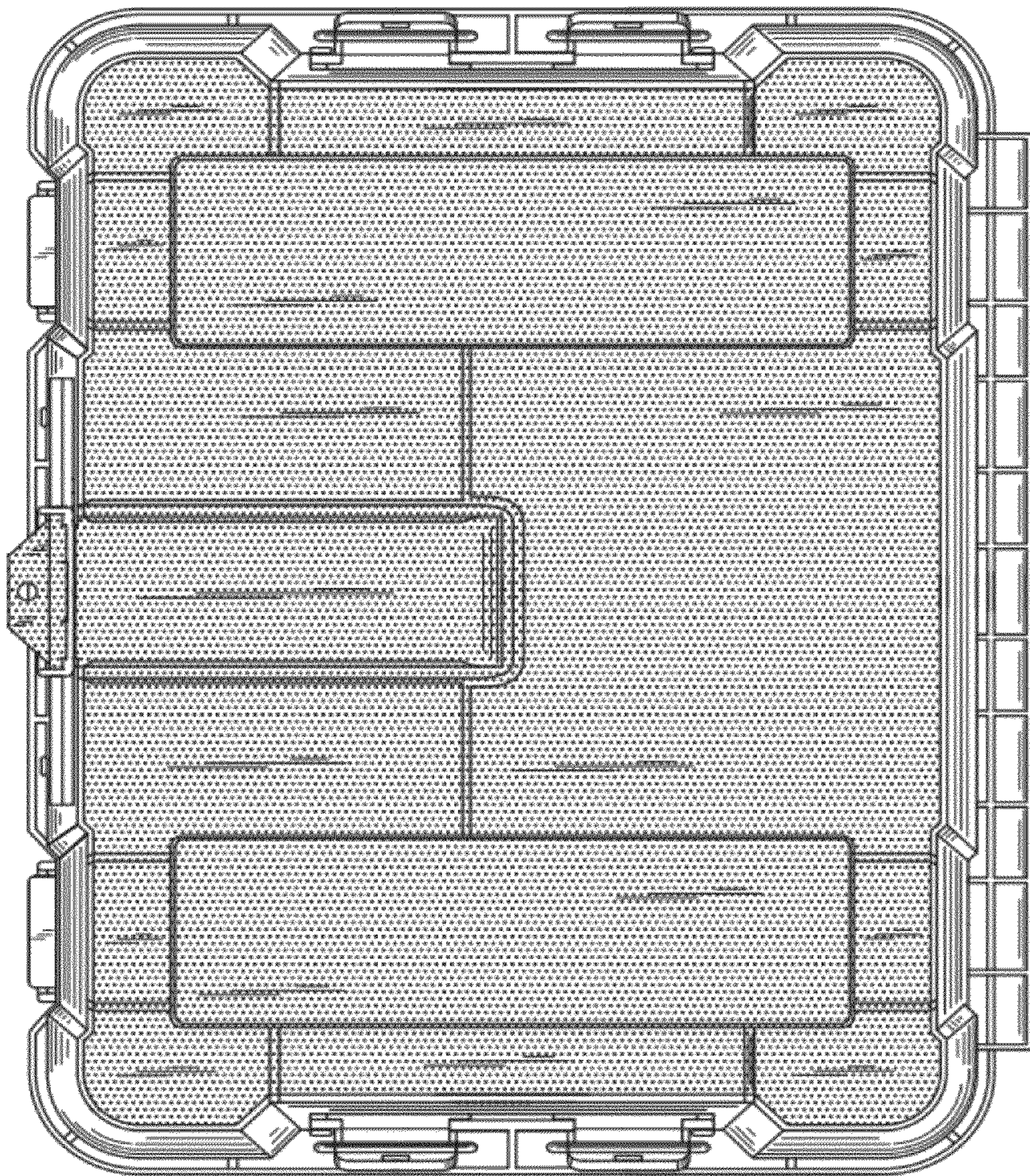


Fig. 14

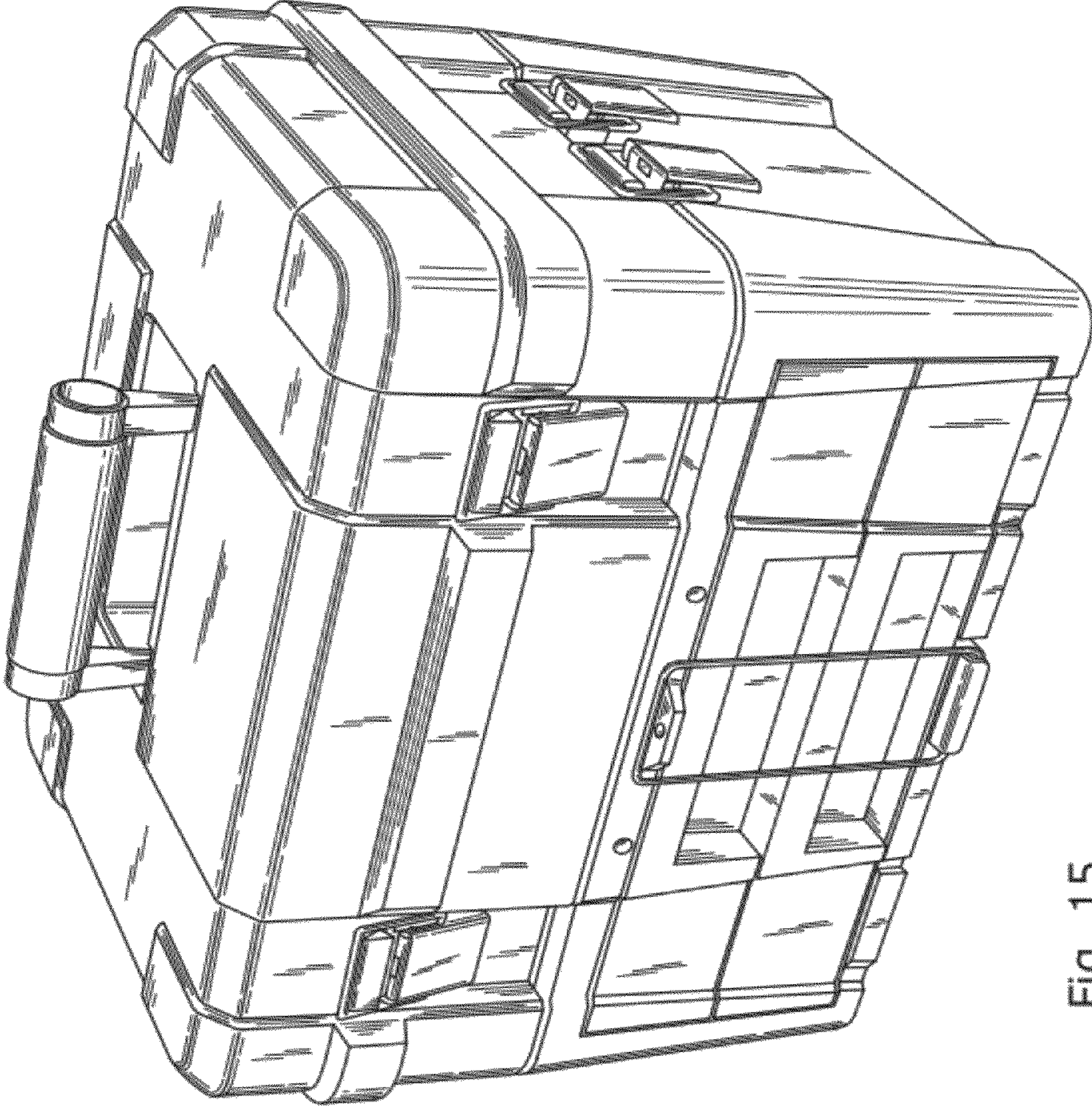


Fig. 15

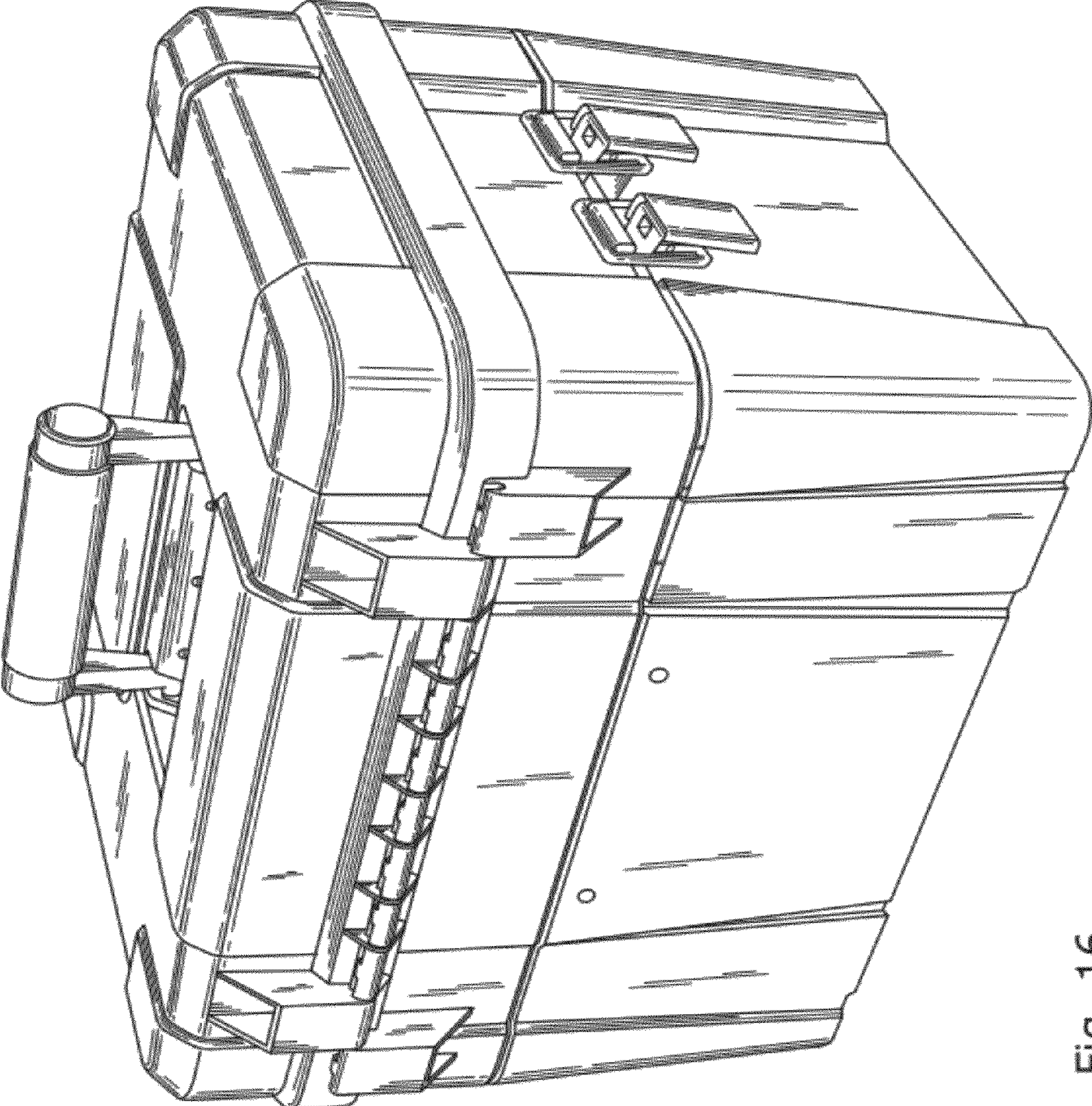


Fig. 16

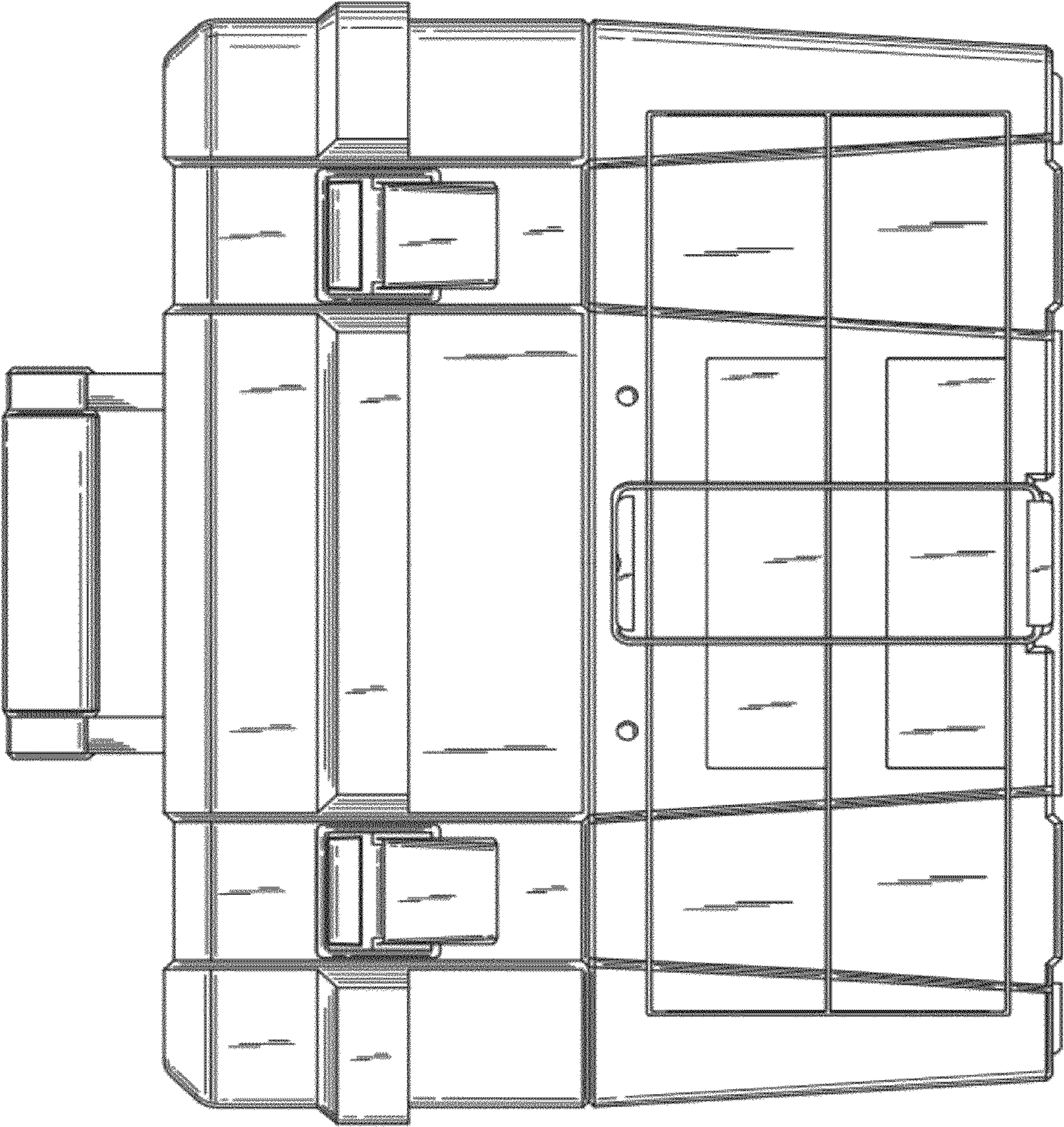


Fig. 17

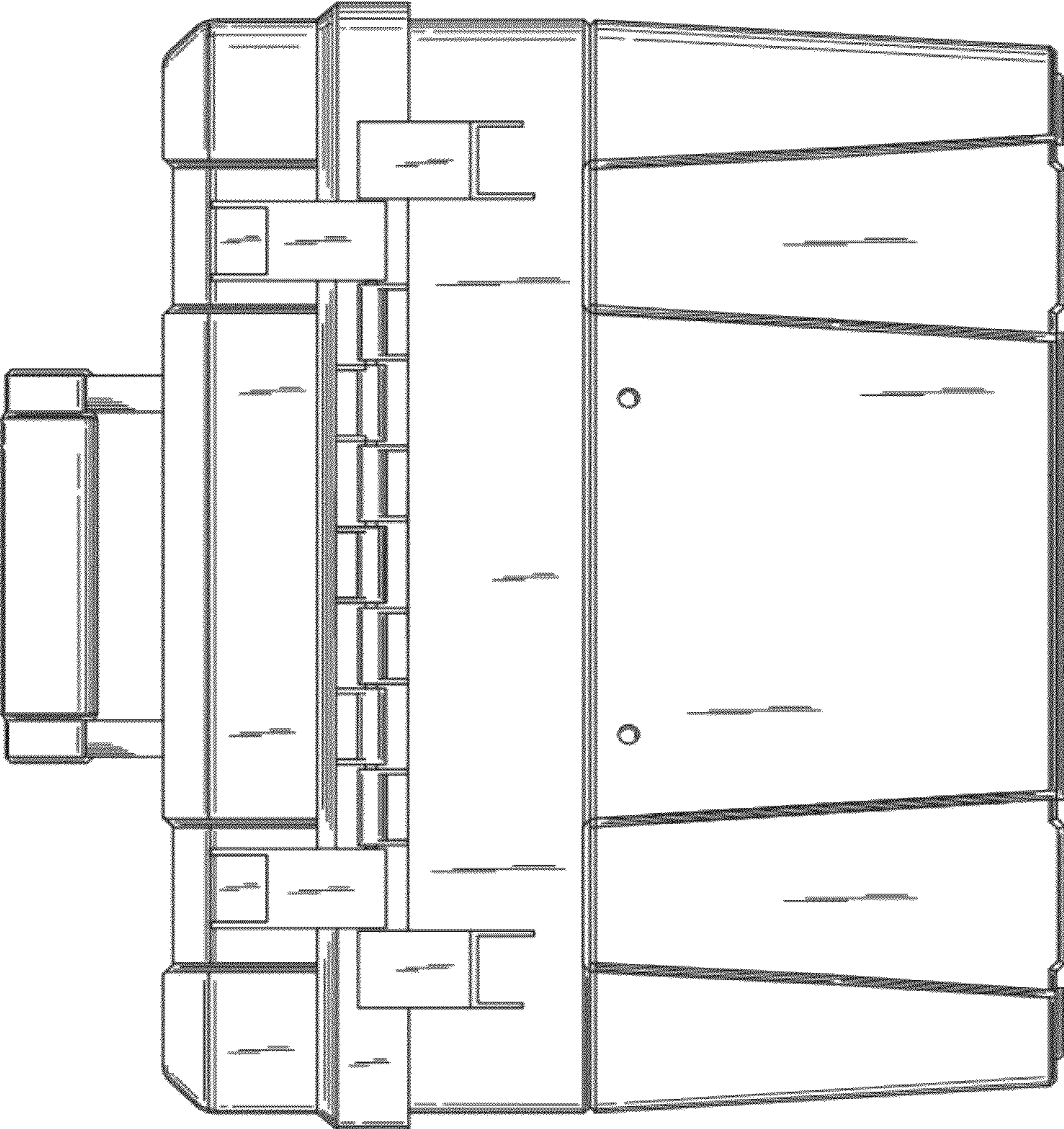


Fig. 18

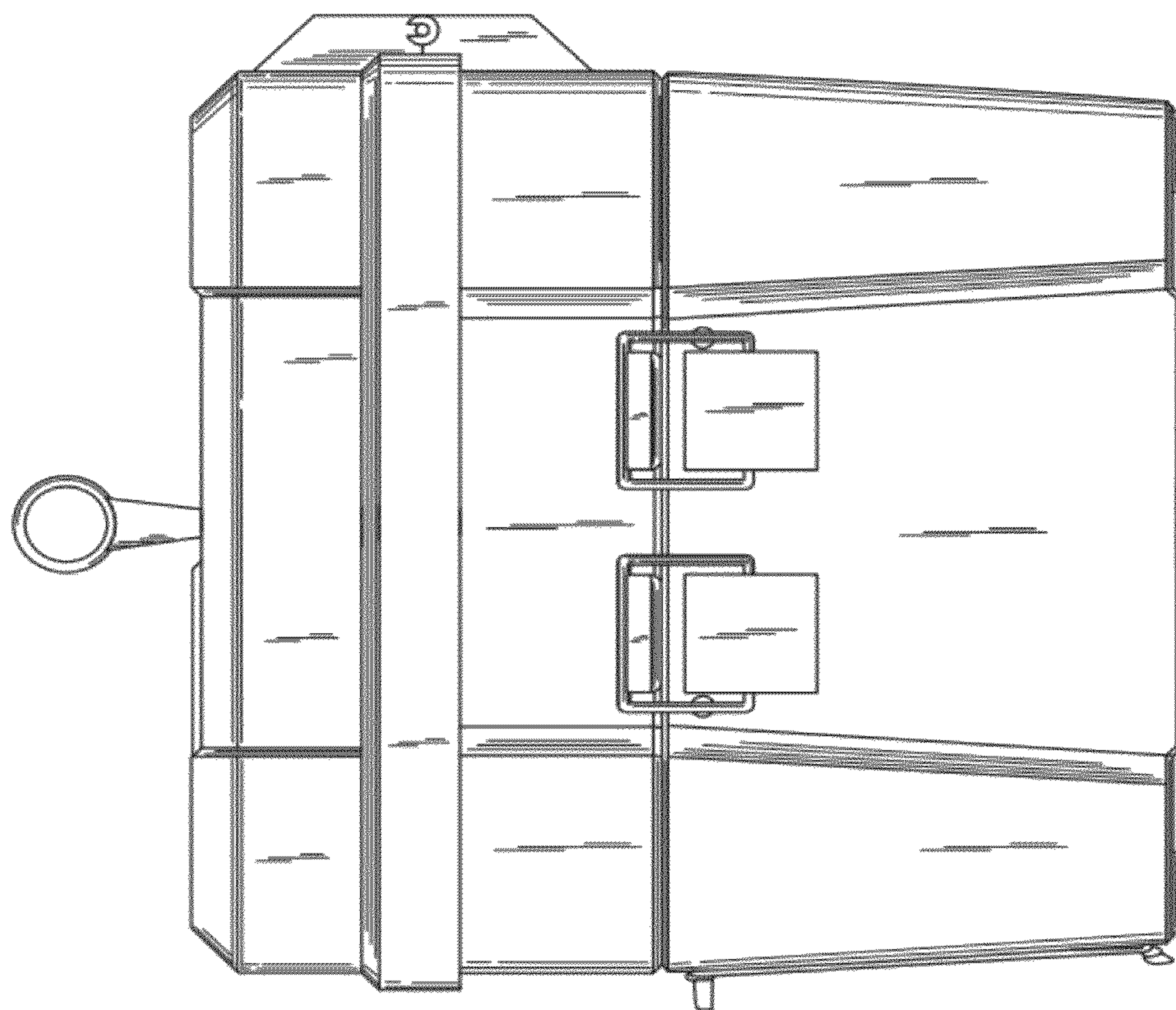


Fig. 19

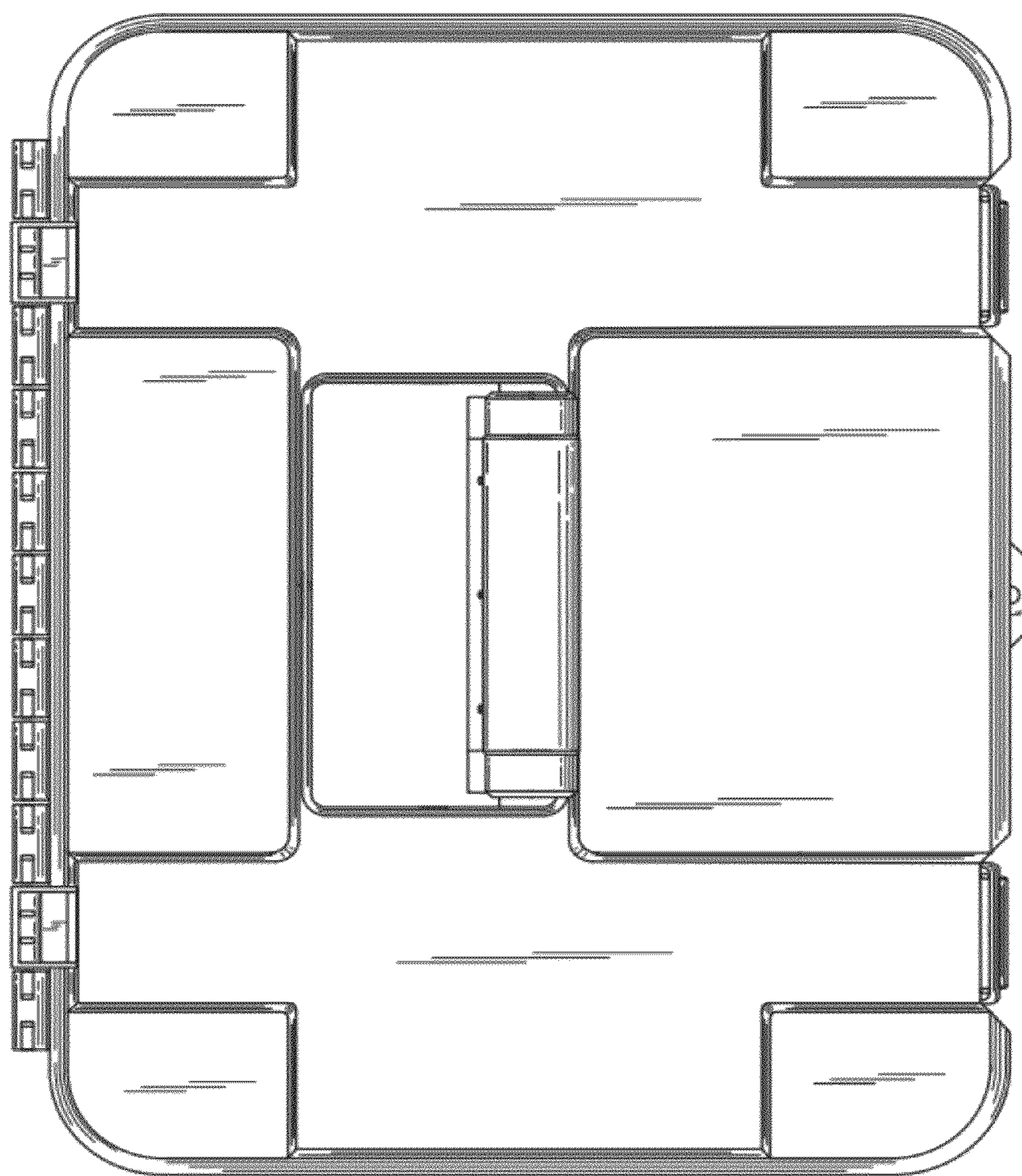


Fig. 20

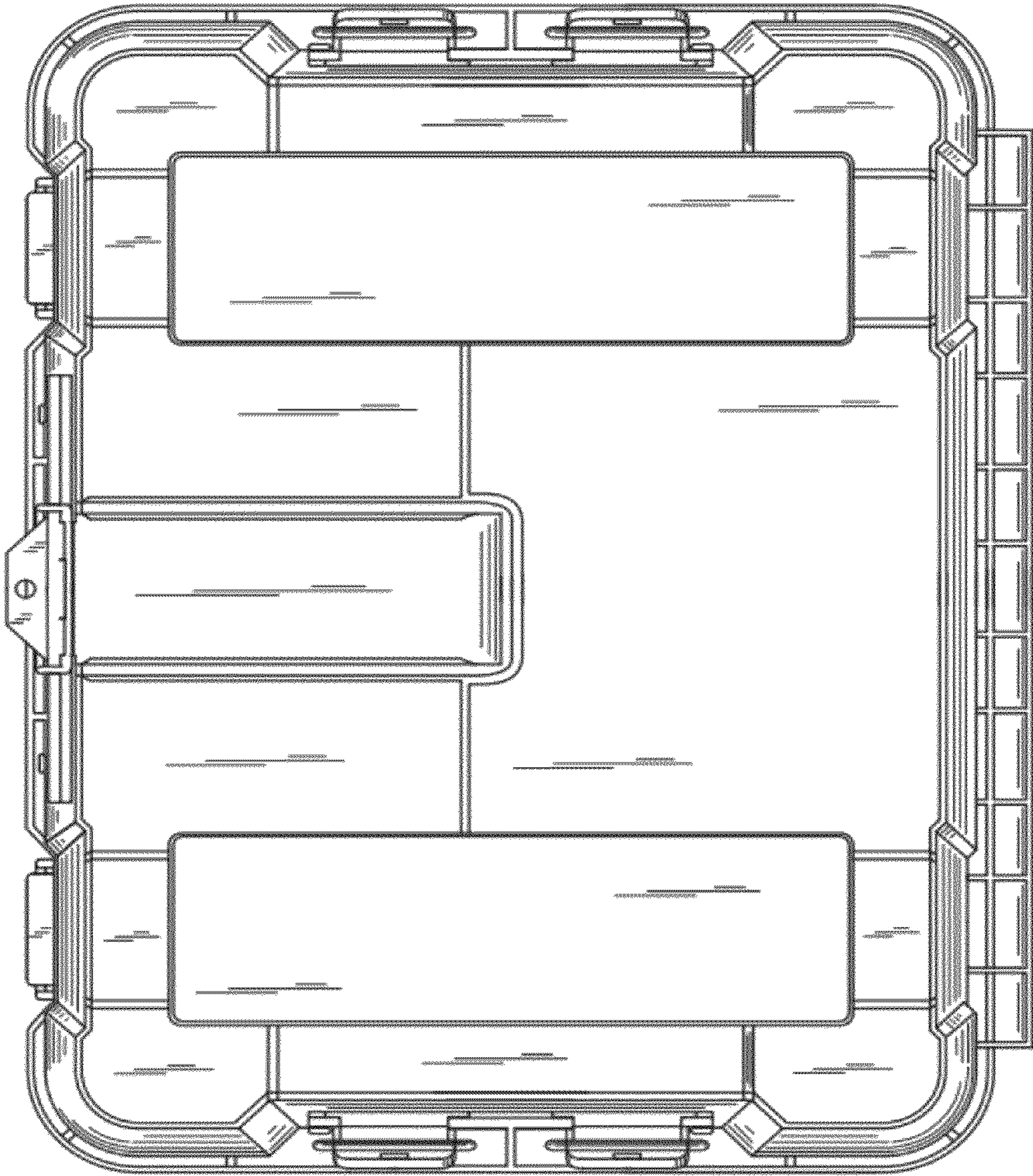


Fig. 21