

US00D661895S

(12) **United States Design Patent**
Kinnard

(10) **Patent No.:** **US D661,895 S**

(45) **Date of Patent:** **** Jun. 19, 2012**

(54) **DOG BONE SUITCASE**

(76) Inventor: **Sharon Kinnard**, Oakland, CA (US)

(**) Term: **14 Years**

(21) Appl. No.: **29/377,265**

(22) Filed: **Oct. 19, 2010**

(51) **LOC (9) Cl.** **03-01**

(52) **U.S. Cl.** **D3/271.2**

(58) **Field of Classification Search** D3/269–271.12,
D3/201, 211, 212, 214, 215, 216, 217, 234,
D3/273, 289, 294, 301, 302, 304; 206/576,
206/320, 214, 457, 315.1; 190/109, 110,
190/111, 18 A, 900, 902; D14/217, 421,
D14/432, 440, 250; 446/76, 470; D34/19;
D21/421; D6/440; 224/153, 577, 578

See application file for complete search history.

(56) **References Cited**

U.S. PATENT DOCUMENTS

D292,446 S * 10/1987 Gilbert D3/238
D294,748 S * 3/1988 Dobelle D30/109
D310,586 S * 9/1990 Dobelle D30/109
D311,610 S * 10/1990 Dobelle D30/109
D401,761 S * 12/1998 Sandmann et al. D3/238
D476,808 S * 7/2003 Carr D3/271.2

D481,867 S * 11/2003 Hotz D3/271.2
D512,539 S * 12/2005 Brunes et al. D30/130
D516,806 S * 3/2006 Lawrence D3/271.1
D521,782 S * 5/2006 Edwards D6/518
D529,279 S * 10/2006 Parks D3/203.3
D539,486 S * 3/2007 Williams D30/111
D550,996 S * 9/2007 Edwards D6/518
D551,977 S * 10/2007 Daniels D9/456
D634,507 S * 3/2011 Lawrenson D1/106
D641,248 S * 7/2011 Steger et al. D9/607

* cited by examiner

Primary Examiner — Barbara Fox

(74) *Attorney, Agent, or Firm* — Steven A. Nielsen; Allman & Nielsen, P.C.

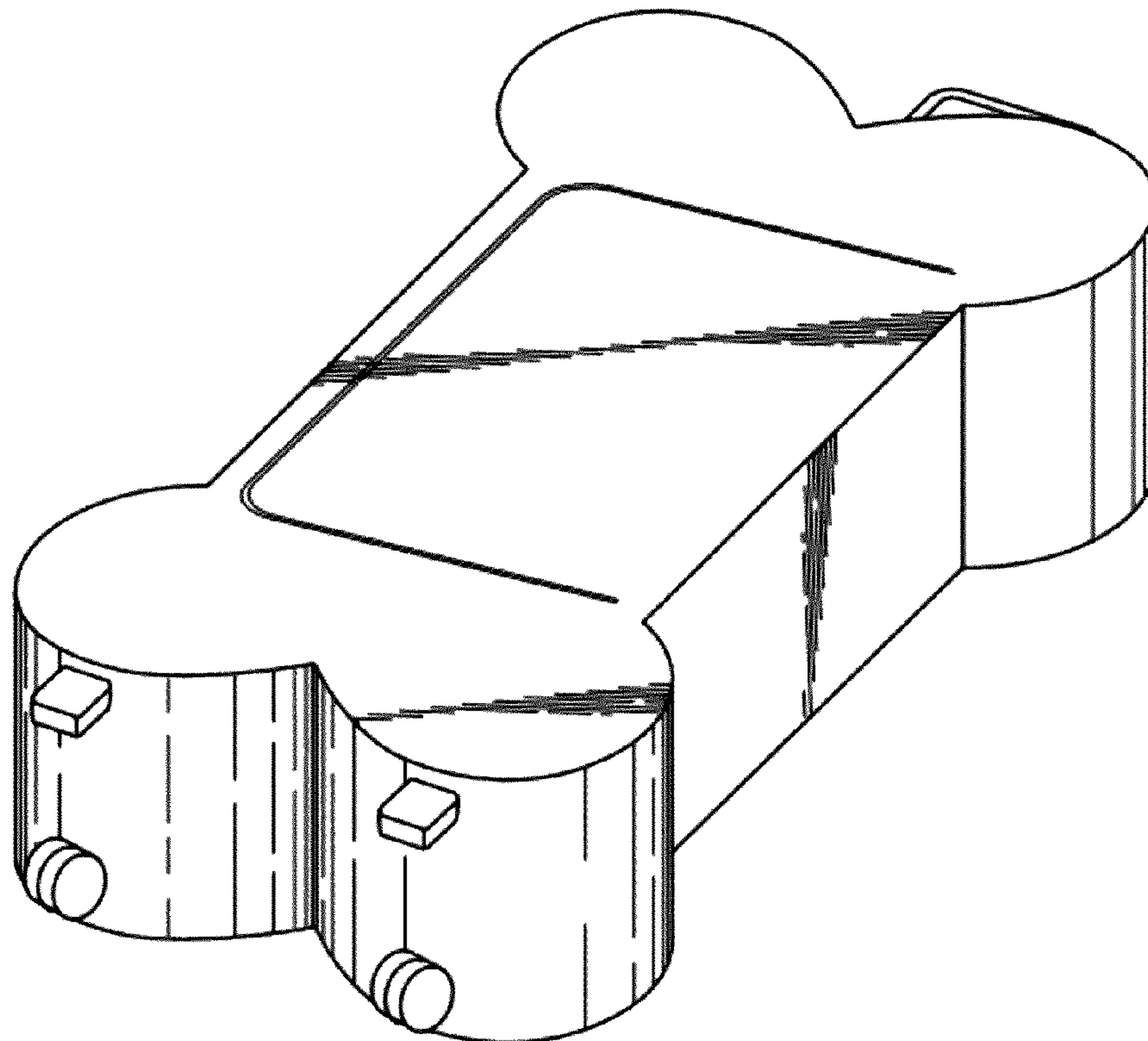
(57) **CLAIM**

The ornamental design for a dog bone suitcase, as shown and described.

DESCRIPTION

FIG. 1 is a front and bottom perspective view of a dog bone suitcase showing my new design;
FIG. 2 is a front side plan view thereof;
FIG. 3 is a back side plan view thereof;
FIG. 4 is a right side plan view thereof;
FIG. 5 is a left side plan view thereof;
FIG. 6 is a top side plan view thereof; and,
FIG. 7 is a bottom side plan view thereof.

1 Claim, 5 Drawing Sheets



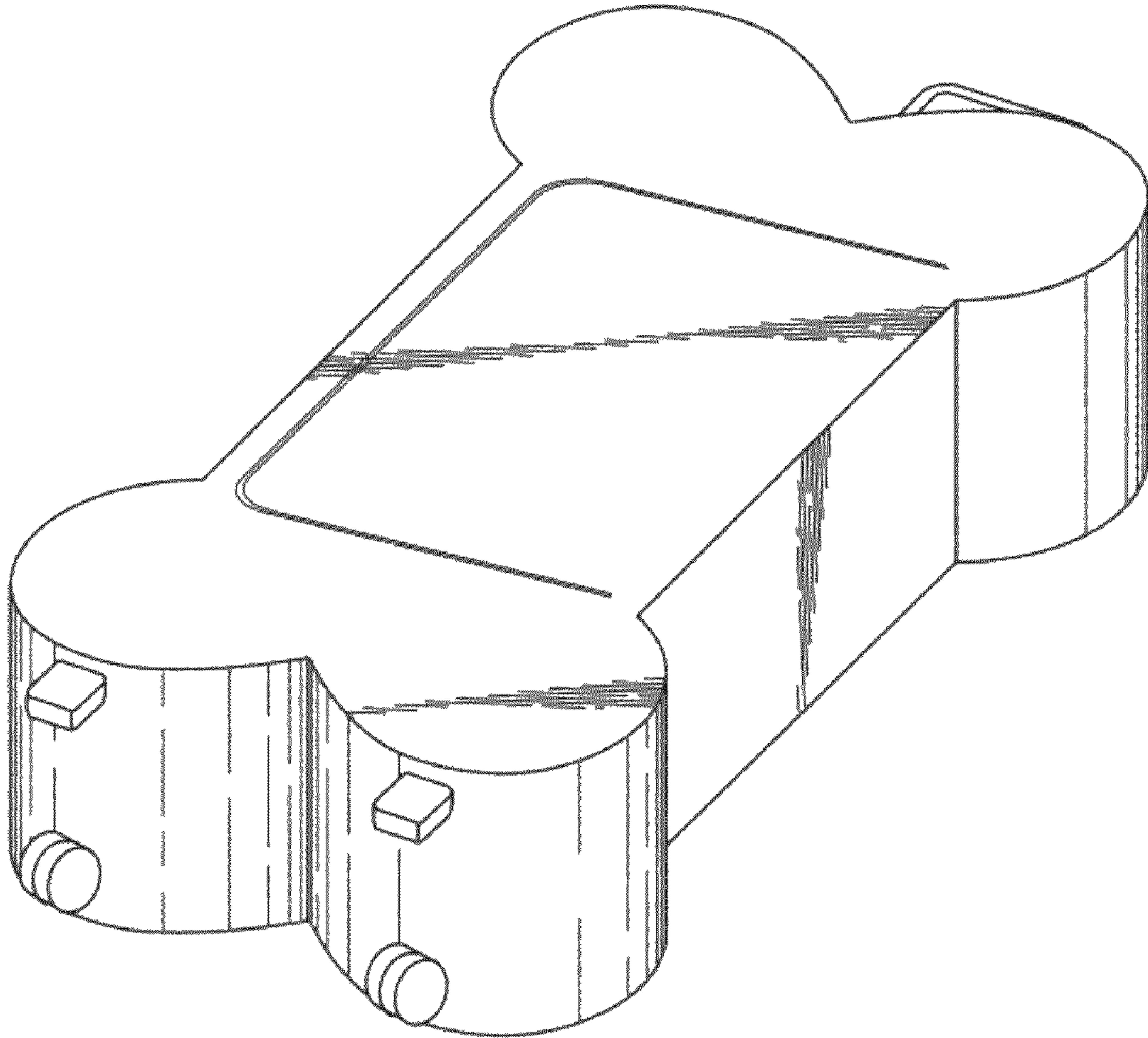


Fig. 1

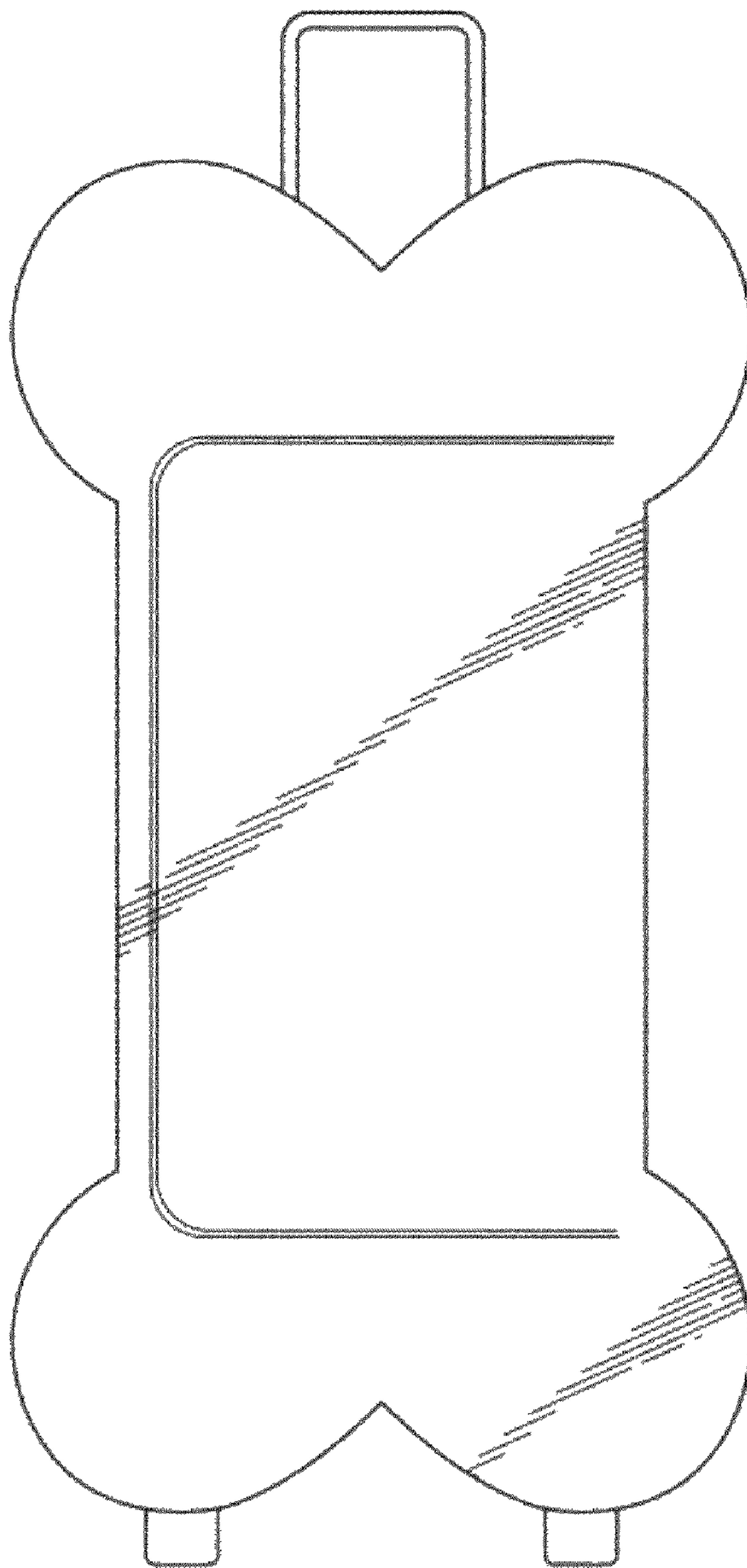


Fig. 2

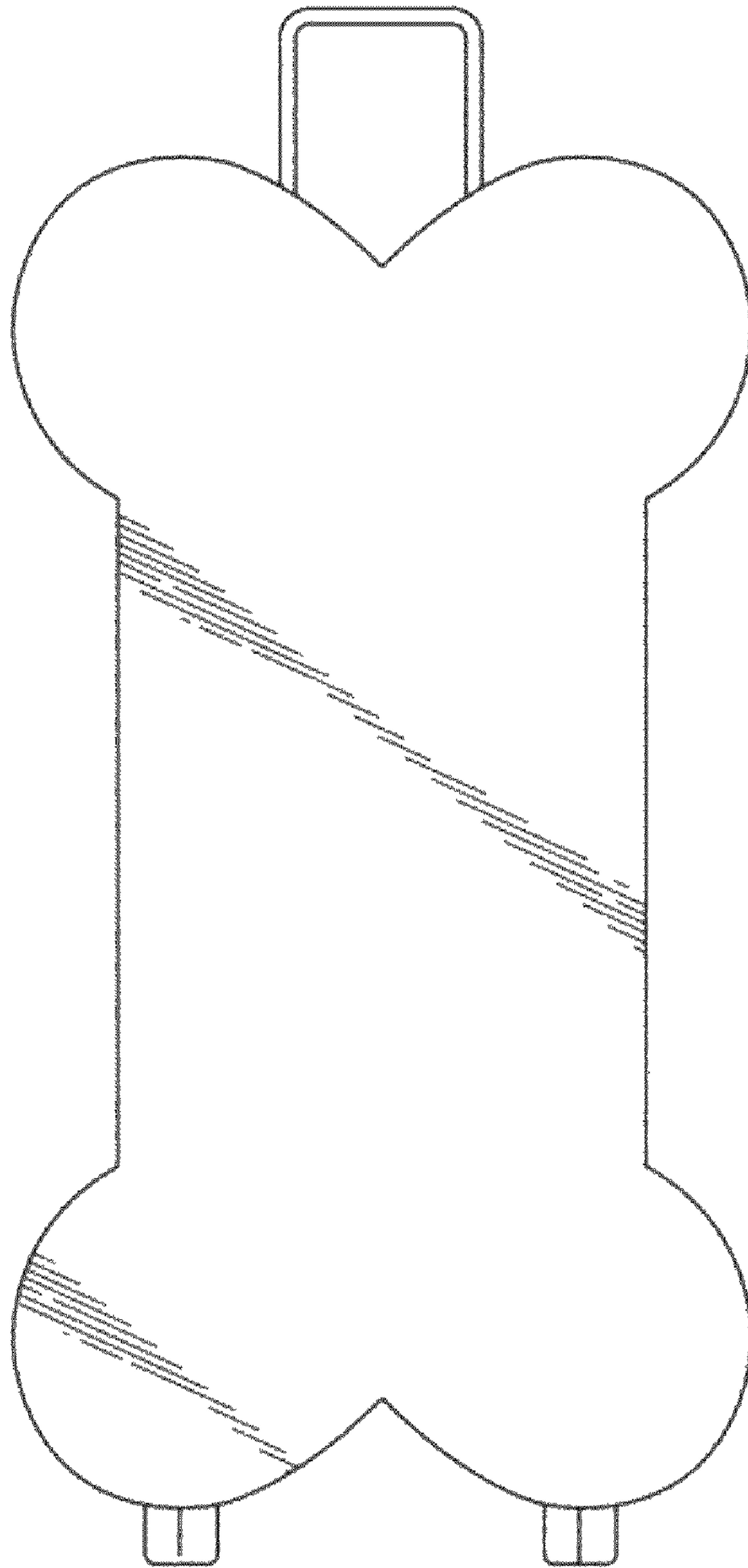


Fig. 3

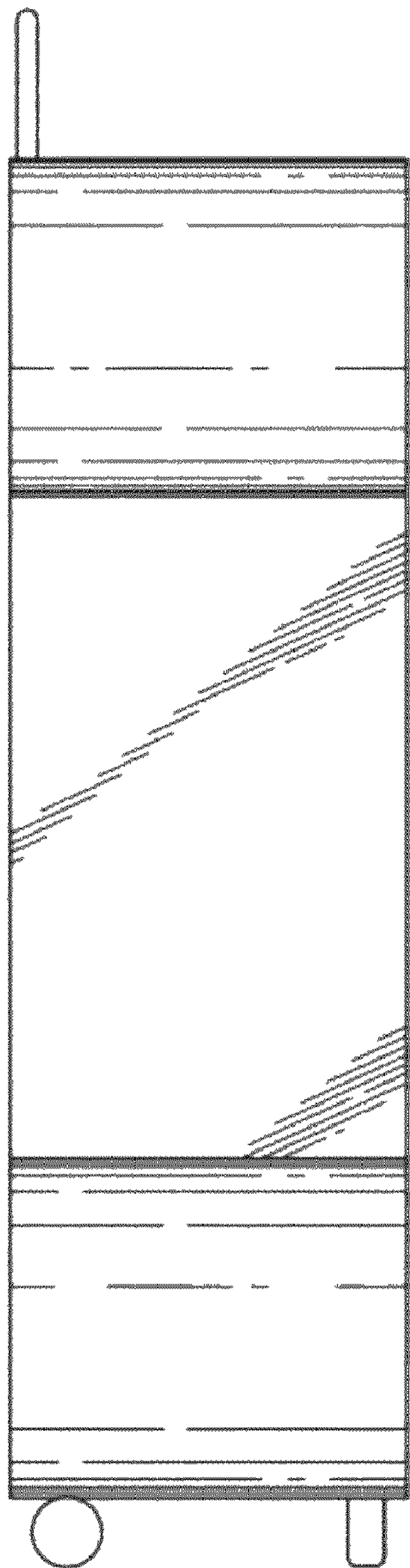


Fig. 4

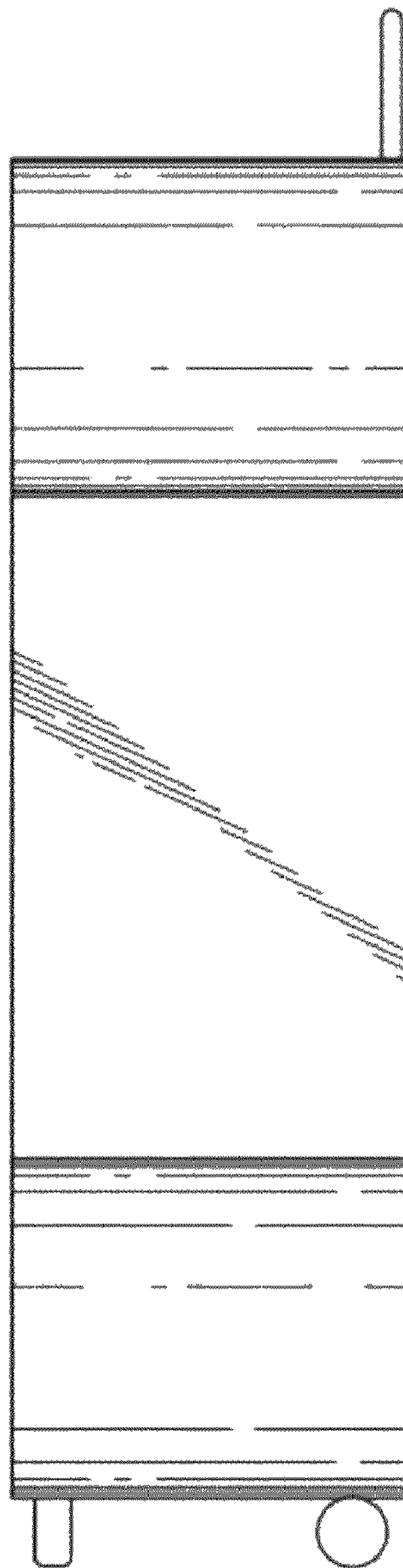


Fig. 5

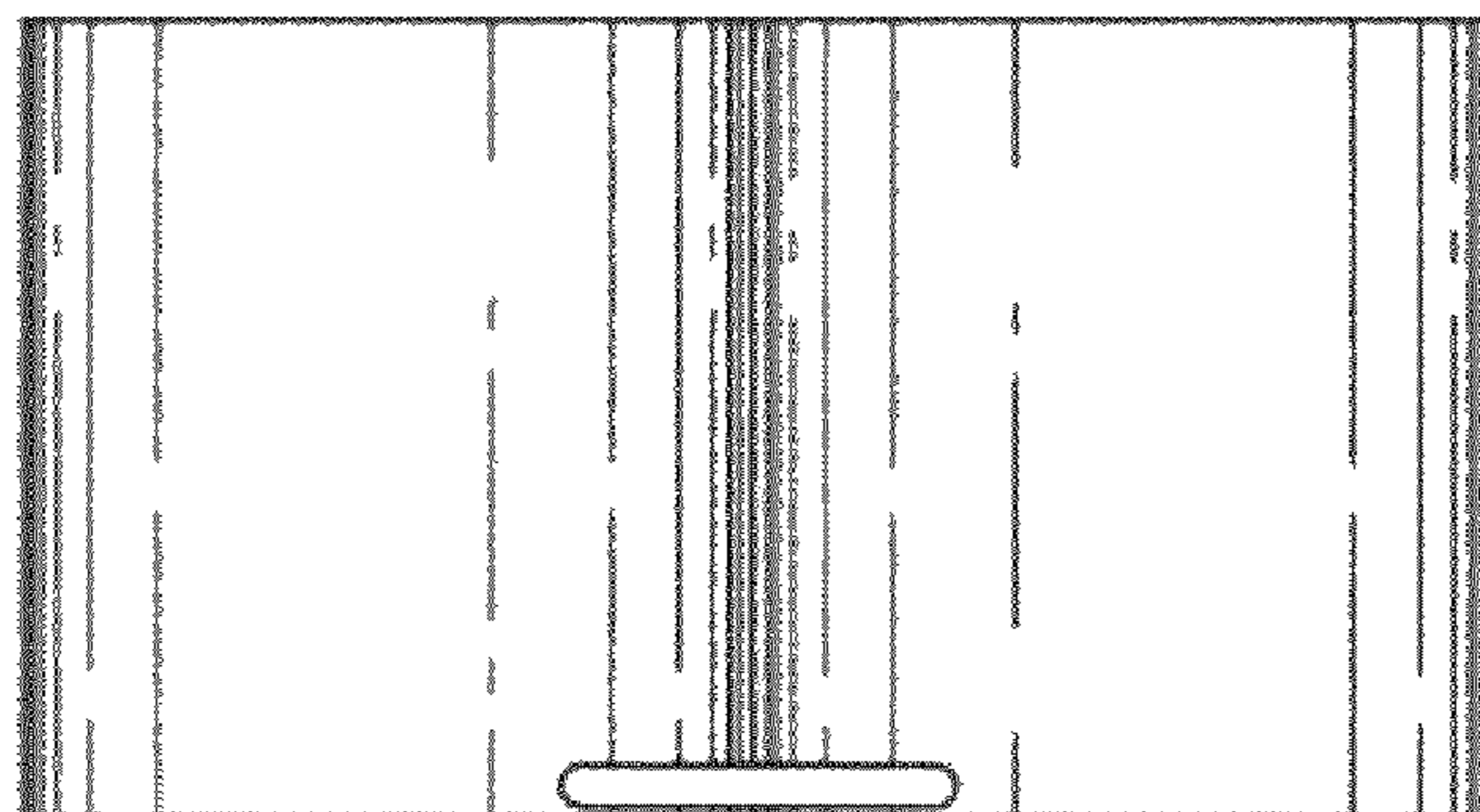


Fig. 6

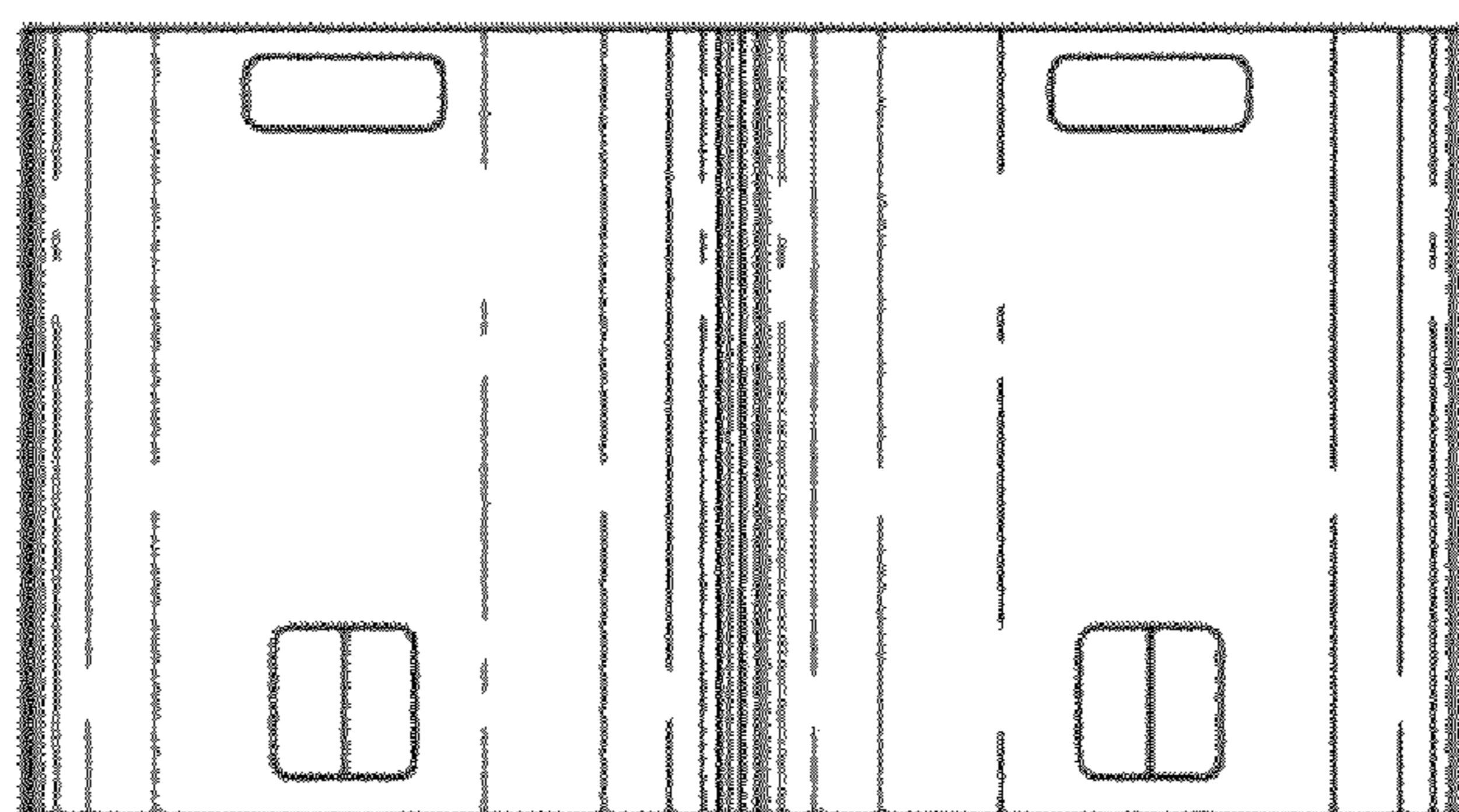


Fig. 7