



US00D661892S

(12) **United States Design Patent**
Ramos

(10) **Patent No.:** **US D661,892 S**
(45) **Date of Patent:** **** Jun. 19, 2012**

(54) **COMBINATION CELLULAR PHONE AND HEADSET CARRYING CASE**

D608,085 S * 1/2010 Simpson-Gardner D3/226
D619,803 S * 7/2010 Fuller D3/218

* cited by examiner

(76) Inventor: **Felix Ramos**, Port Saint Lucie, FL (US)

Primary Examiner — Catheri Oliver

(**) Term: **14 Years**

(21) Appl. No.: **29/404,457**

(57) **CLAIM**

The ornamental design for a combination cellular phone and headset carrying case, as shown and described.

(22) Filed: **Oct. 20, 2011**

(51) **LOC (9) Cl.** **03-01**

(52) **U.S. Cl.** **D3/218**

(58) **Field of Classification Search** D3/218,
D3/215, 201, 219, 224, 226, 228, 269, 303;
224/240–241, 245, 578, 674, 676–681, 901,
224/904; 206/305, 320; 379/455; 455/575.1–575.8;
D14/138, 250–251, 253

See application file for complete search history.

DESCRIPTION

FIG. 1 is a perspective view of the present invention; and FIG. 2 is a front view of the present invention; and FIG. 3 is a rear view of the present invention; and FIG. 4 is a right side view of the present invention; and FIG. 5 is a left view of the present invention; and FIG. 6 is a top view of the present invention; and, FIG. 7 is a bottom view of the present invention.

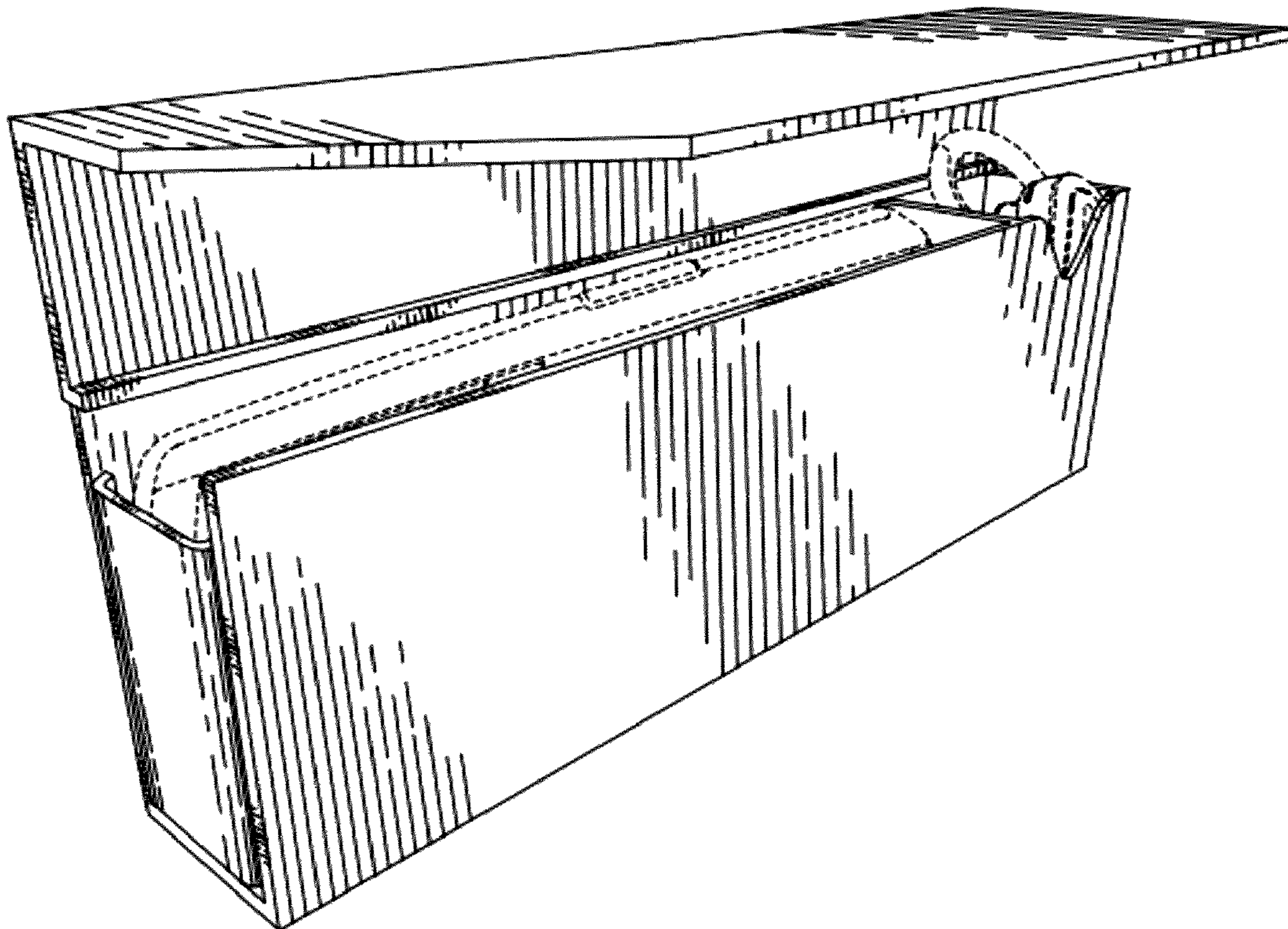
The broken lines showing of parts of the drawings is included for the purpose of illustrating use and environment and forms no part of the claimed design.

(56) **References Cited**

U.S. PATENT DOCUMENTS

D182,059 S * 2/1958 Chase D3/233
D549,449 S * 8/2007 Malhotra et al. D3/218

1 Claim, 3 Drawing Sheets



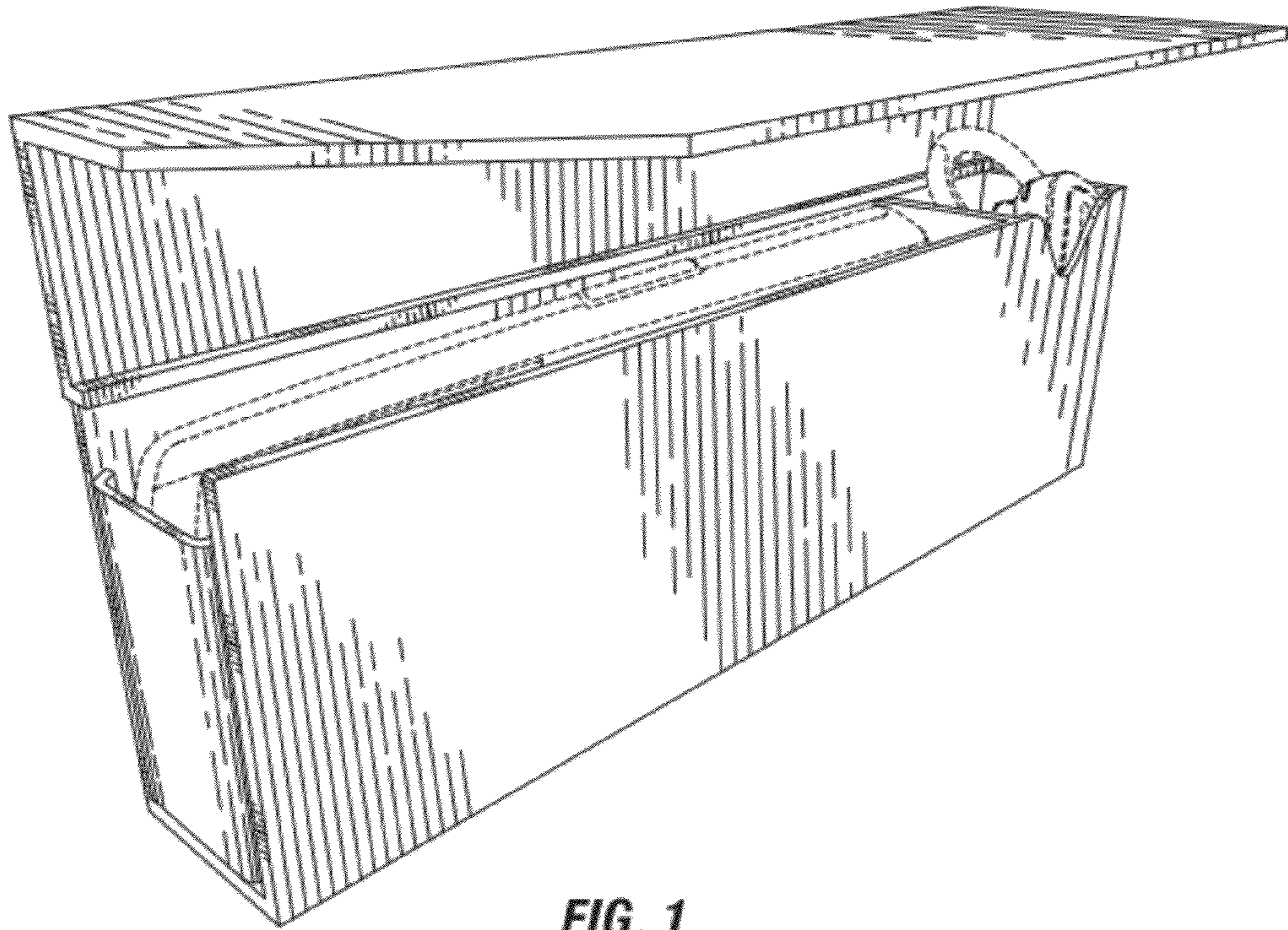


FIG. 1

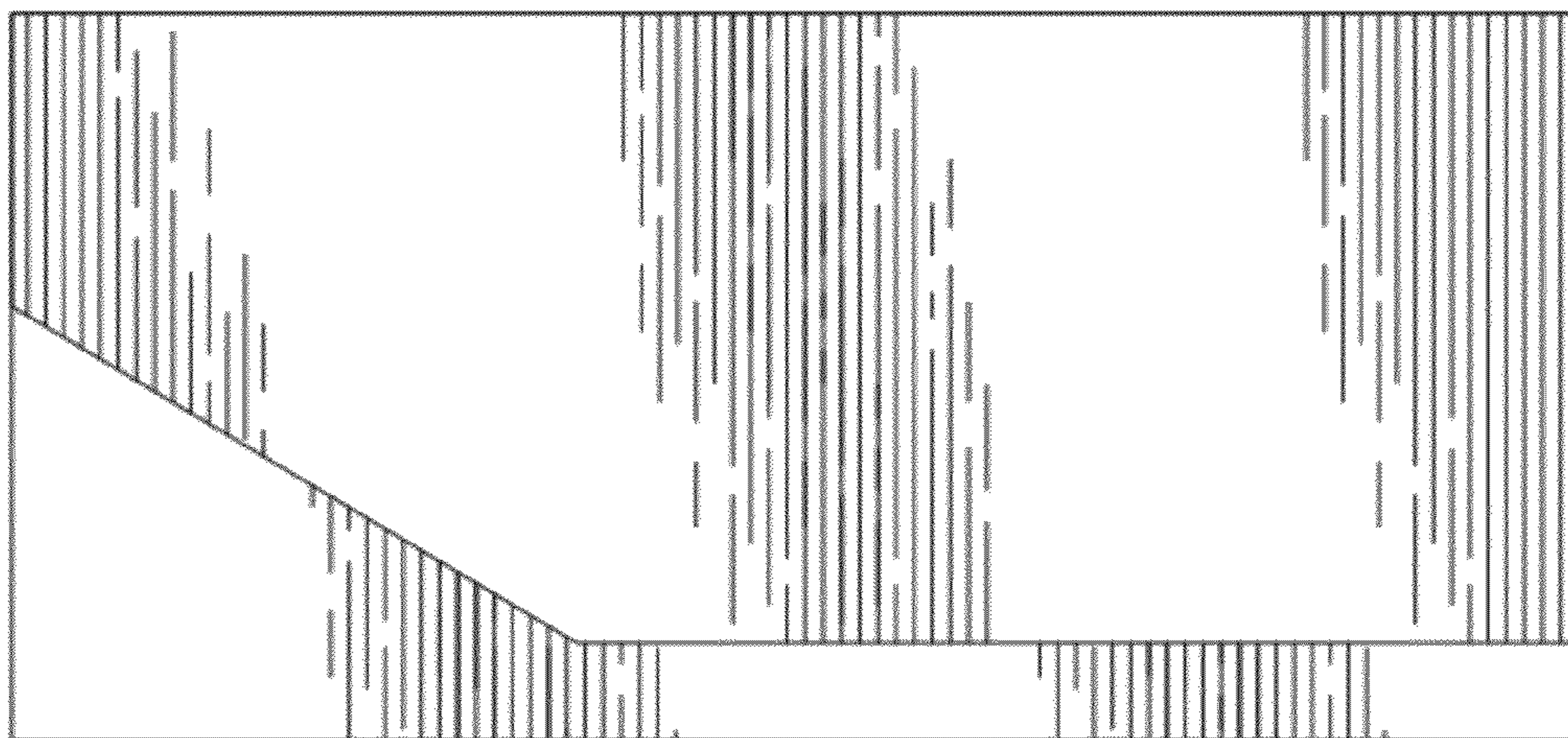


FIG. 2

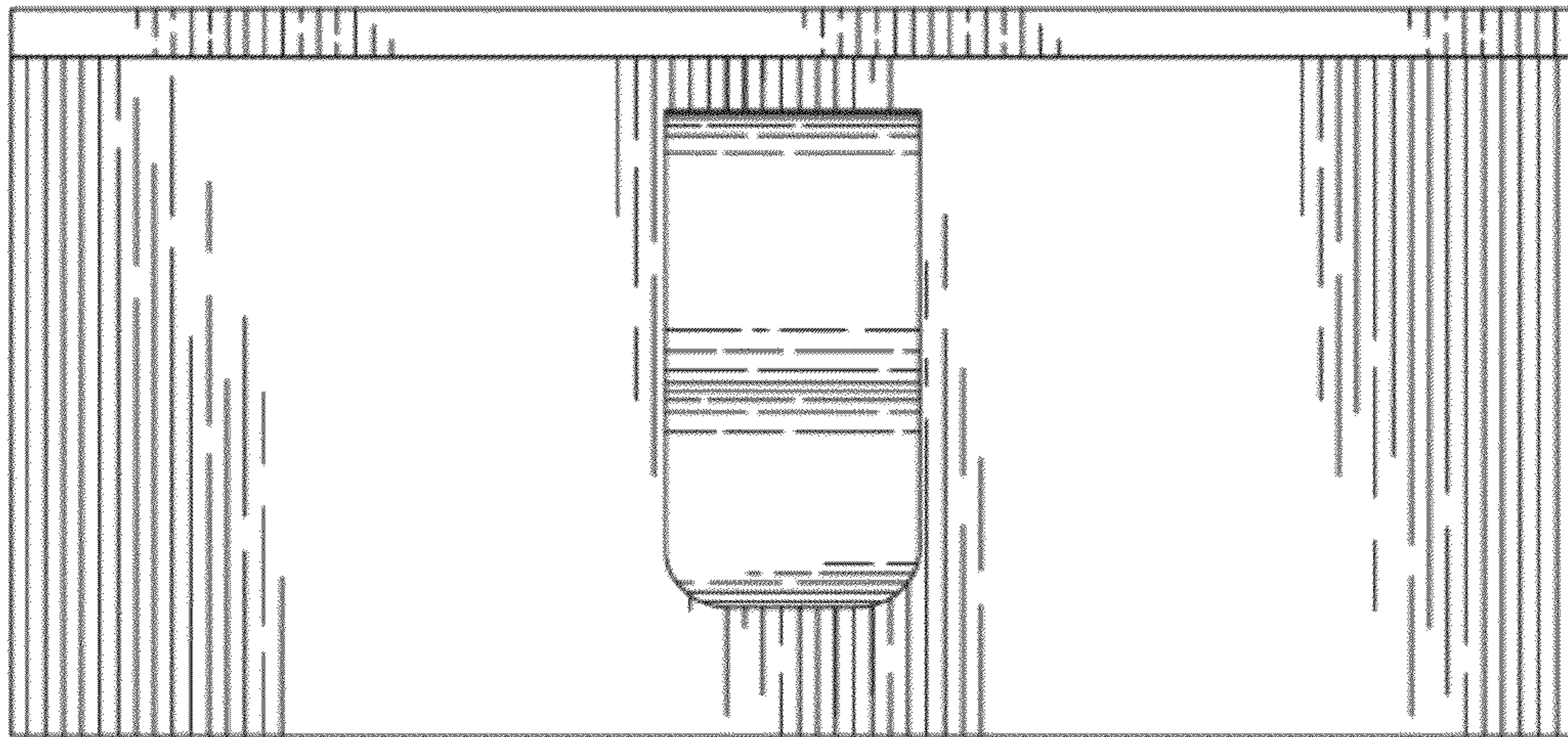


FIG. 3

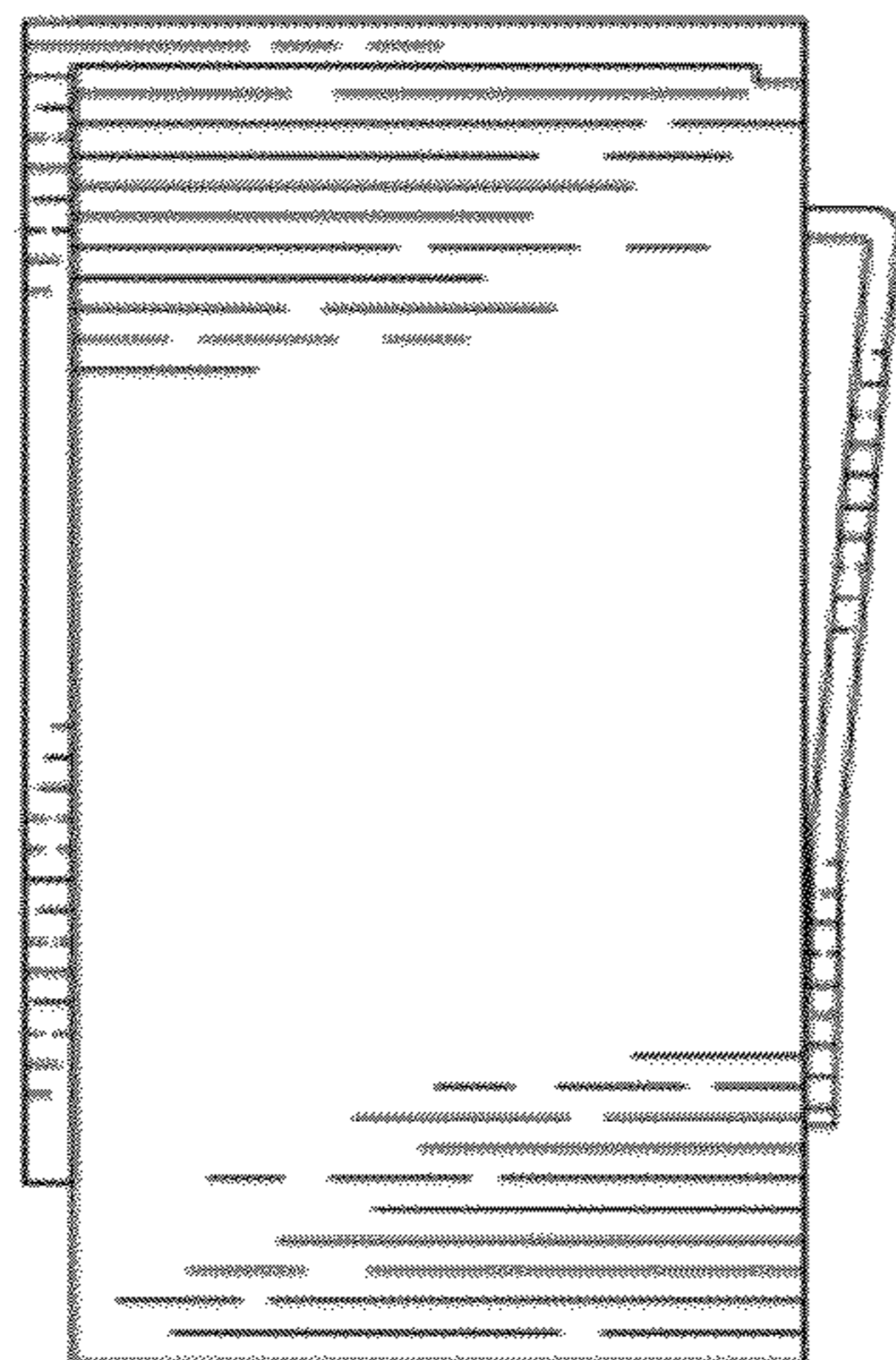


FIG. 4

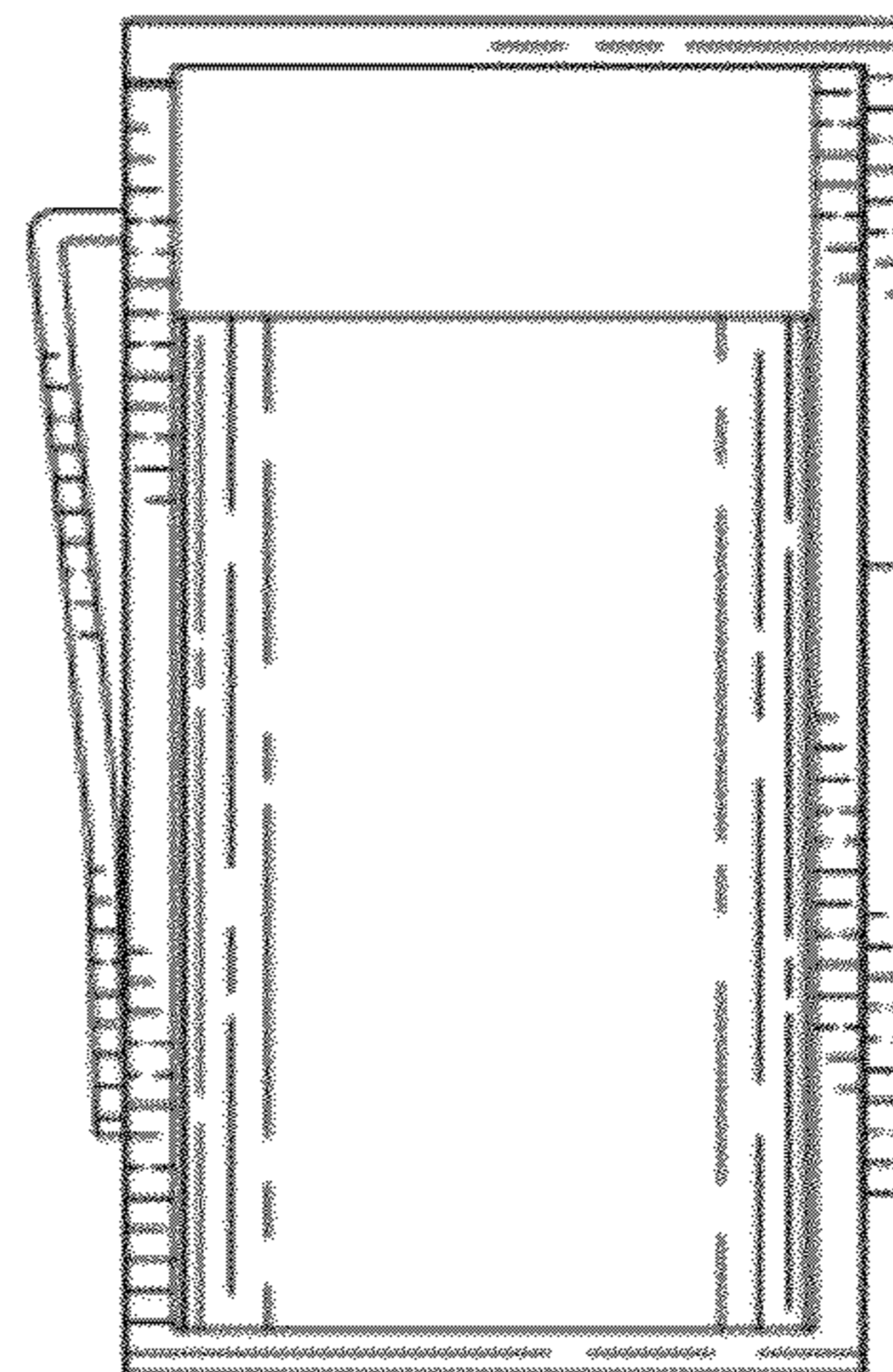


FIG. 5

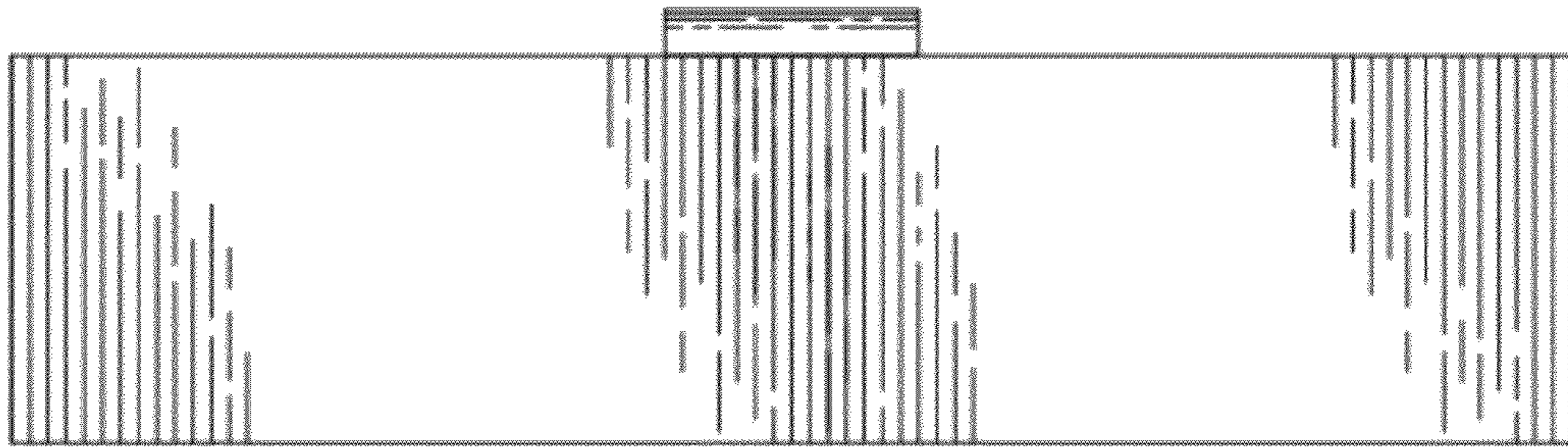


FIG. 6

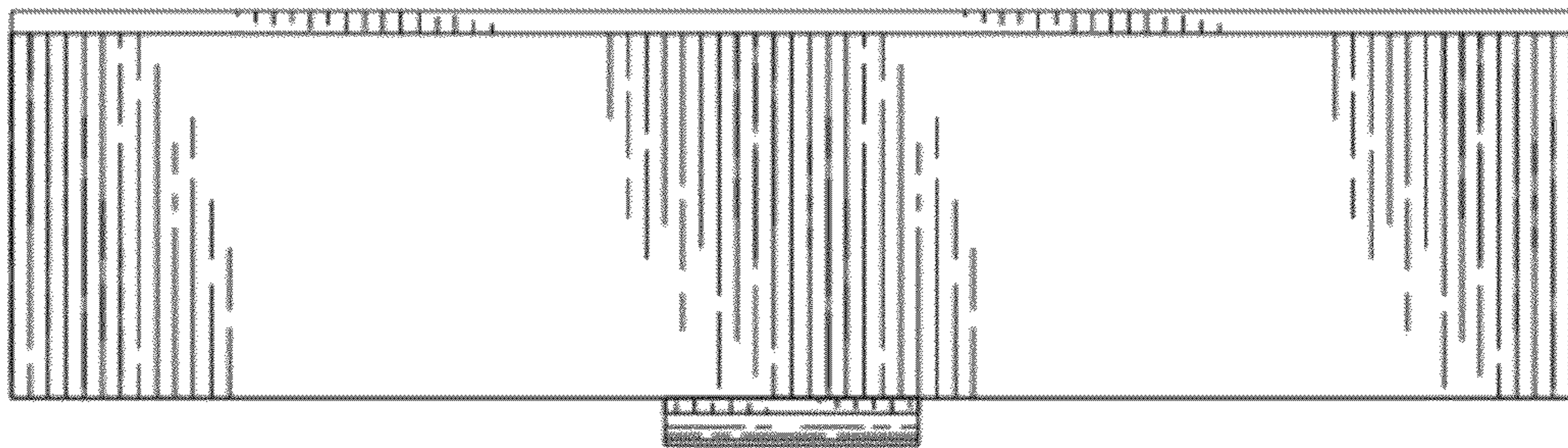


FIG. 7