

US00D661890S

(12) **United States Design Patent**
van der Lande

(10) **Patent No.:** **US D661,890 S**

(45) **Date of Patent:** **** Jun. 19, 2012**

(54) **COW-SHAPED LED KEY CAP**

(75) Inventor: **Jan van der Lande**, New York, NY (US)

(73) Assignee: **Kikkerland Design Inc.**, New York, NY (US)

(**) Term: **14 Years**

(21) Appl. No.: **29/394,910**

(22) Filed: **Jun. 22, 2011**

(51) **LOC (9) Cl.** **03-01**

(52) **U.S. Cl.** **D3/211**

(58) **Field of Classification Search** D21/610,
D21/576, 593, 594, 606, 609, 611, 659, 660,
D21/348; 63/26-28, 32; D3/207-212; D8/16,
D8/38, 347, 348; 70/456 B, 457, 458; 206/37.1
See application file for complete search history.

(56) **References Cited**

U.S. PATENT DOCUMENTS

2,138,309 A * 11/1938 Stevenson 40/330
D189,880 S * 3/1961 Blake D21/659
D316,029 S * 4/1991 Taramaschi D8/354

D387,553 S * 12/1997 Fritsche D3/211
D573,341 S * 7/2008 van der Lande D3/209
D636,987 S * 5/2011 van der Lande D3/211

* cited by examiner

Primary Examiner — Ralf Seifert

(74) *Attorney, Agent, or Firm* — Cascio & Zervas

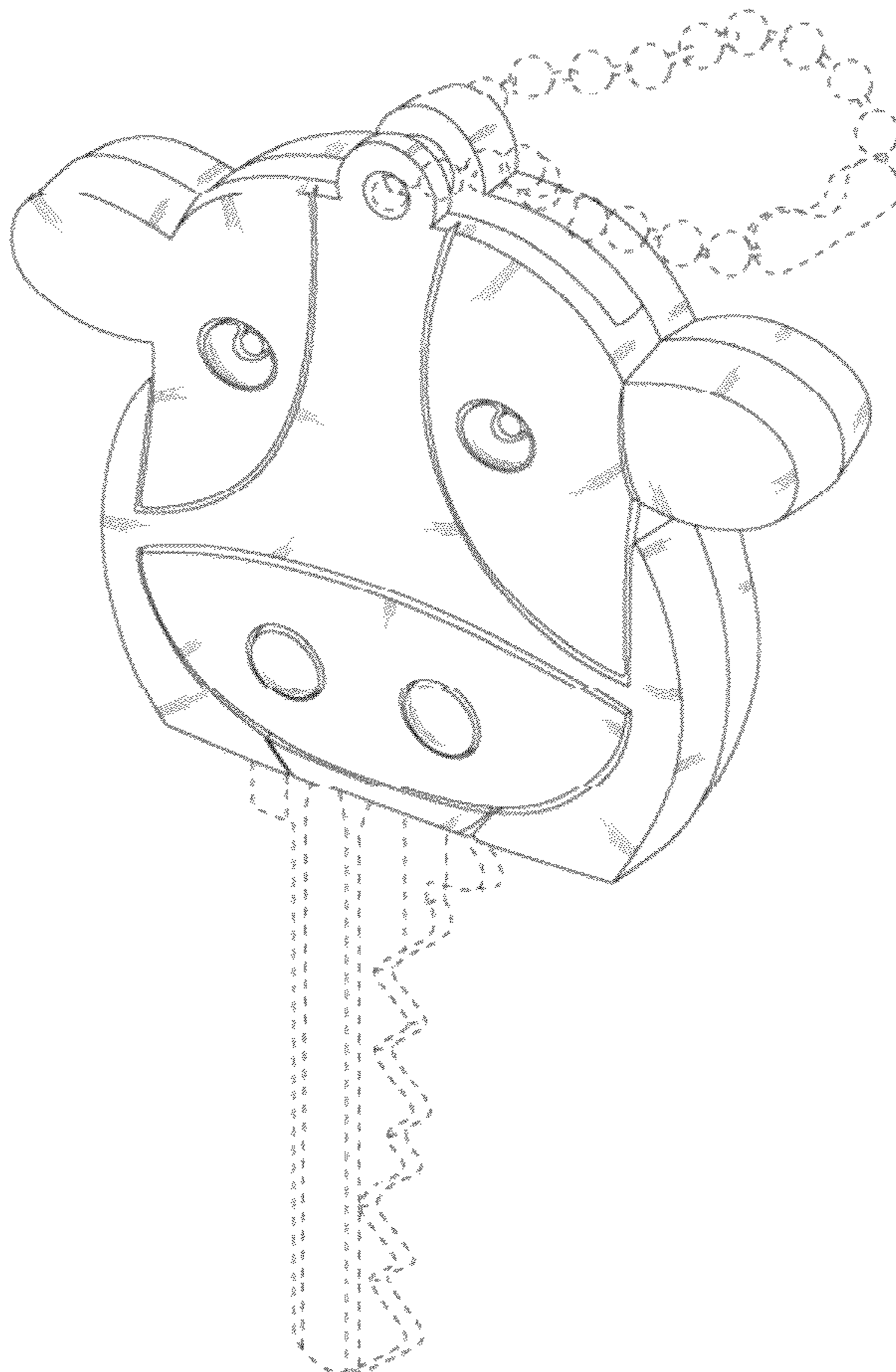
(57) **CLAIM**

The ornamental design for a cow-shaped LED key cap, as shown and described.

DESCRIPTION

FIG. 1 is a front elevational view of the cow-shaped LED key cap showing my design;
FIG. 2 is a rear elevational view thereof;
FIG. 3 is a top plan view thereof;
FIG. 4 is a bottom plan view thereof;
FIG. 5 is a left side elevational view thereof;
FIG. 6 is a right side elevational view thereof; and,
FIG. 7 is a front perspective view thereof.
The broken lines in the Figures showing a key and chain are for illustration purposes only and form no part of the claimed design.

1 Claim, 3 Drawing Sheets



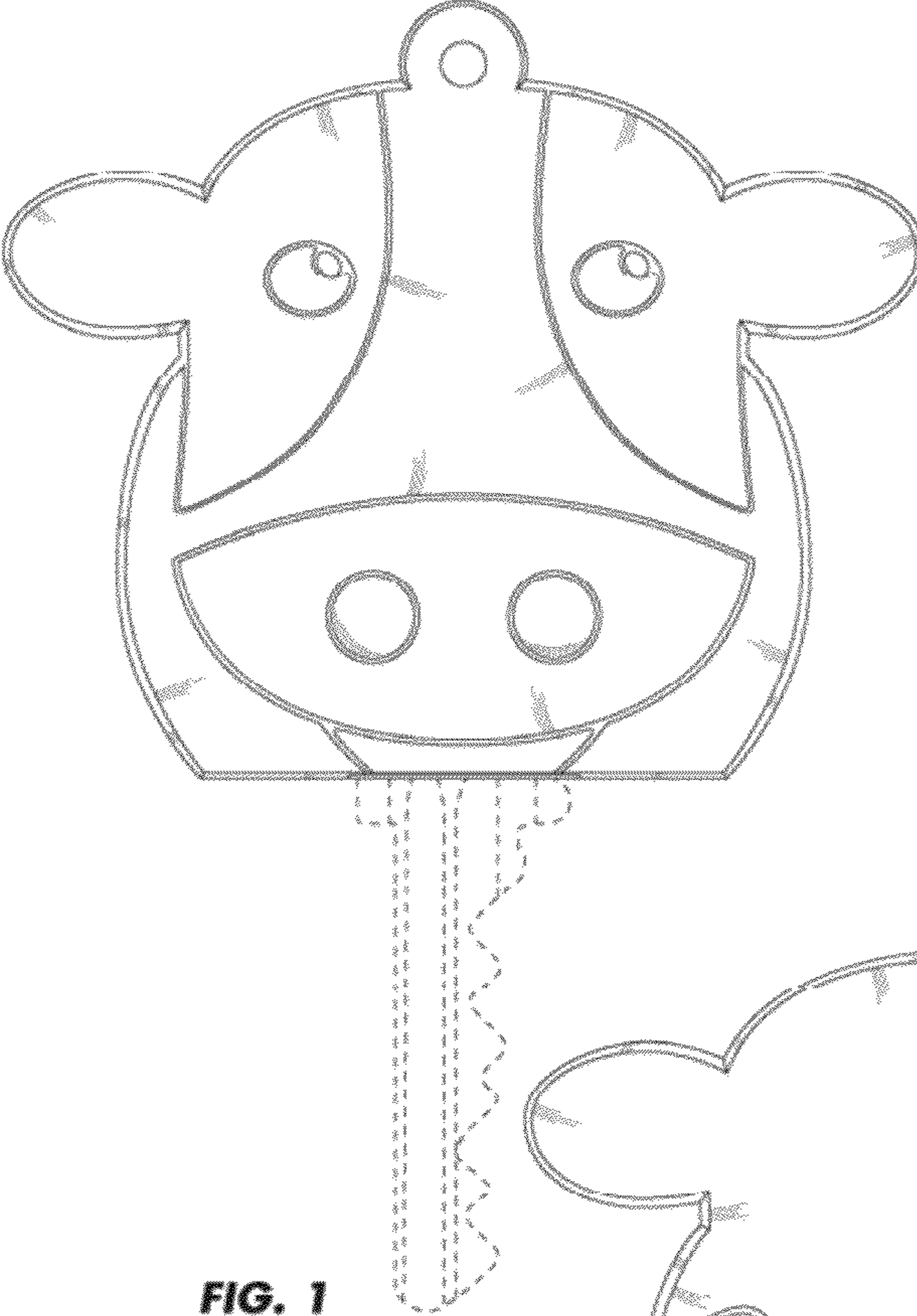


FIG. 1

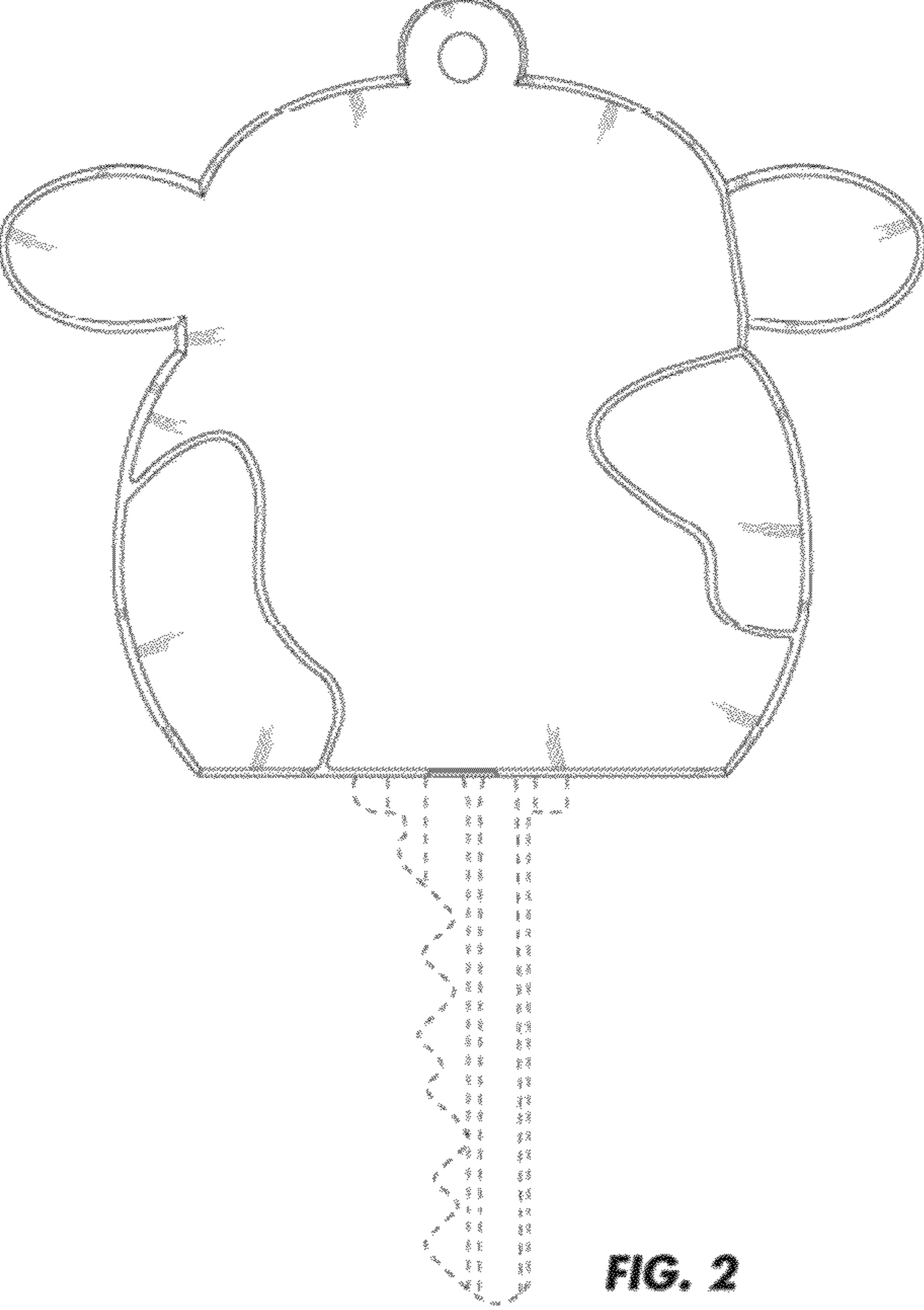


FIG. 2

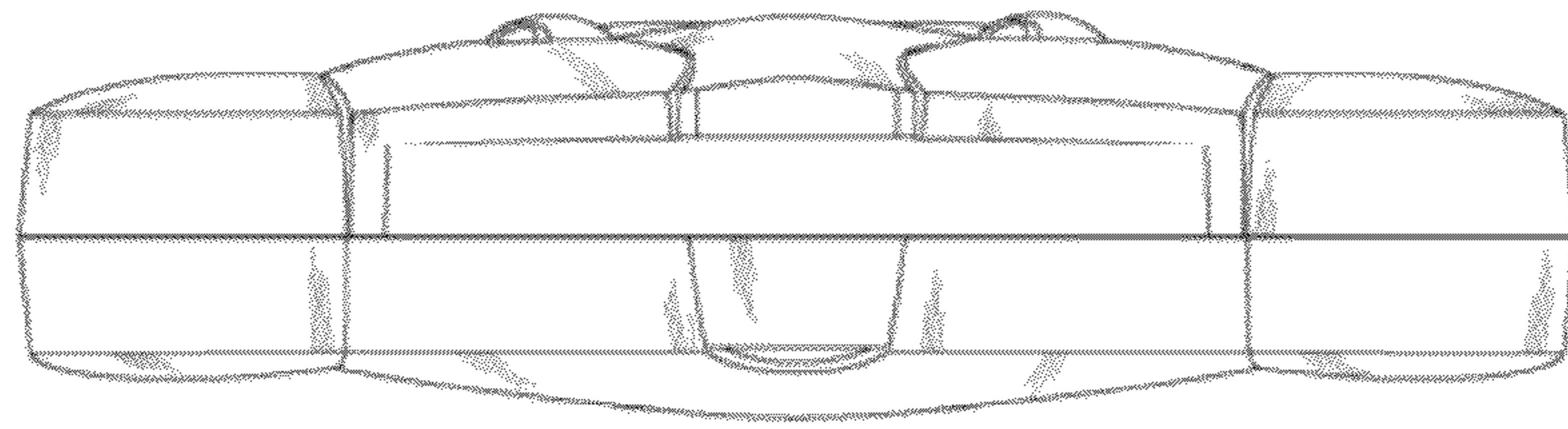


FIG. 3

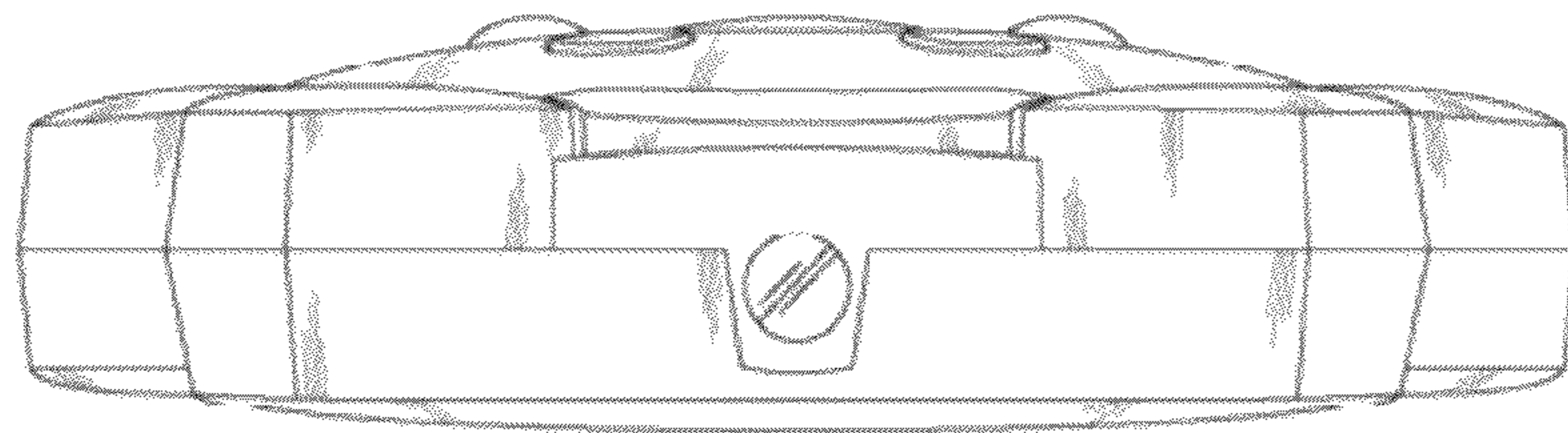


FIG. 4

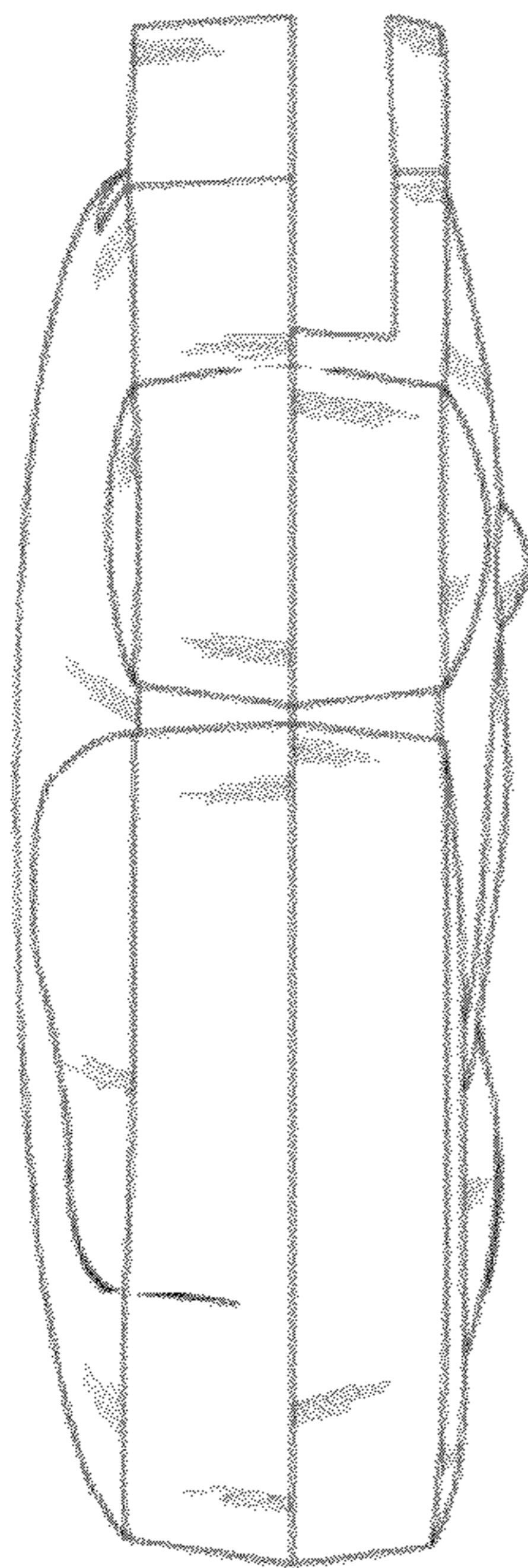


FIG. 5

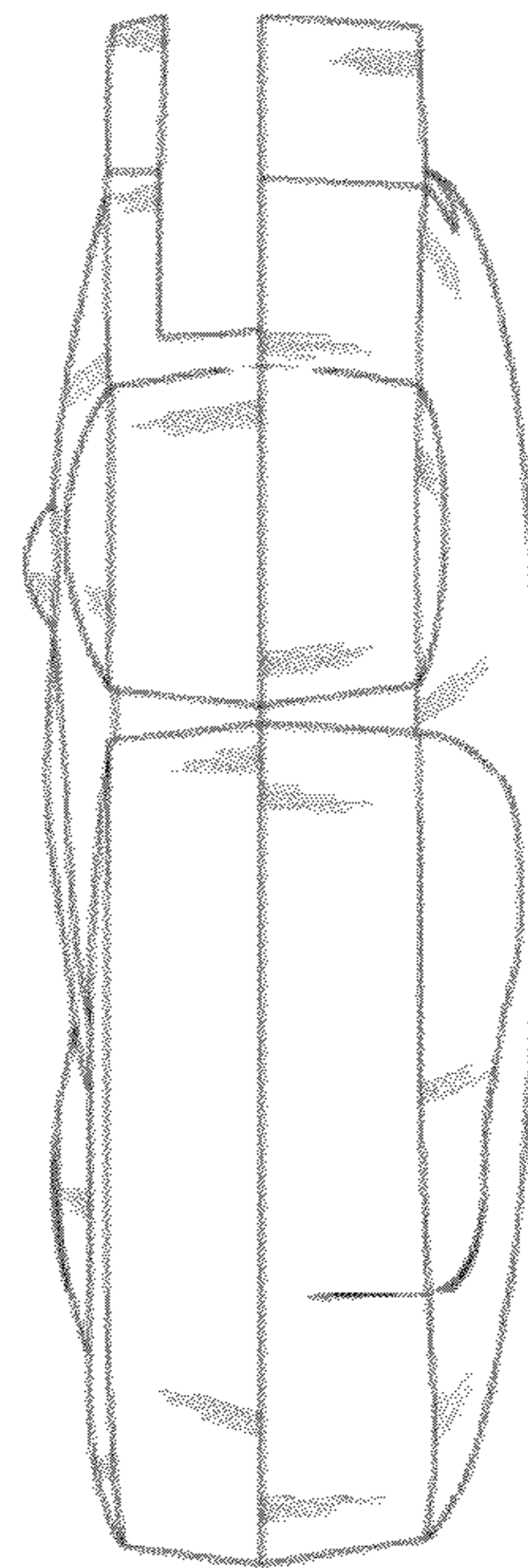


FIG. 6

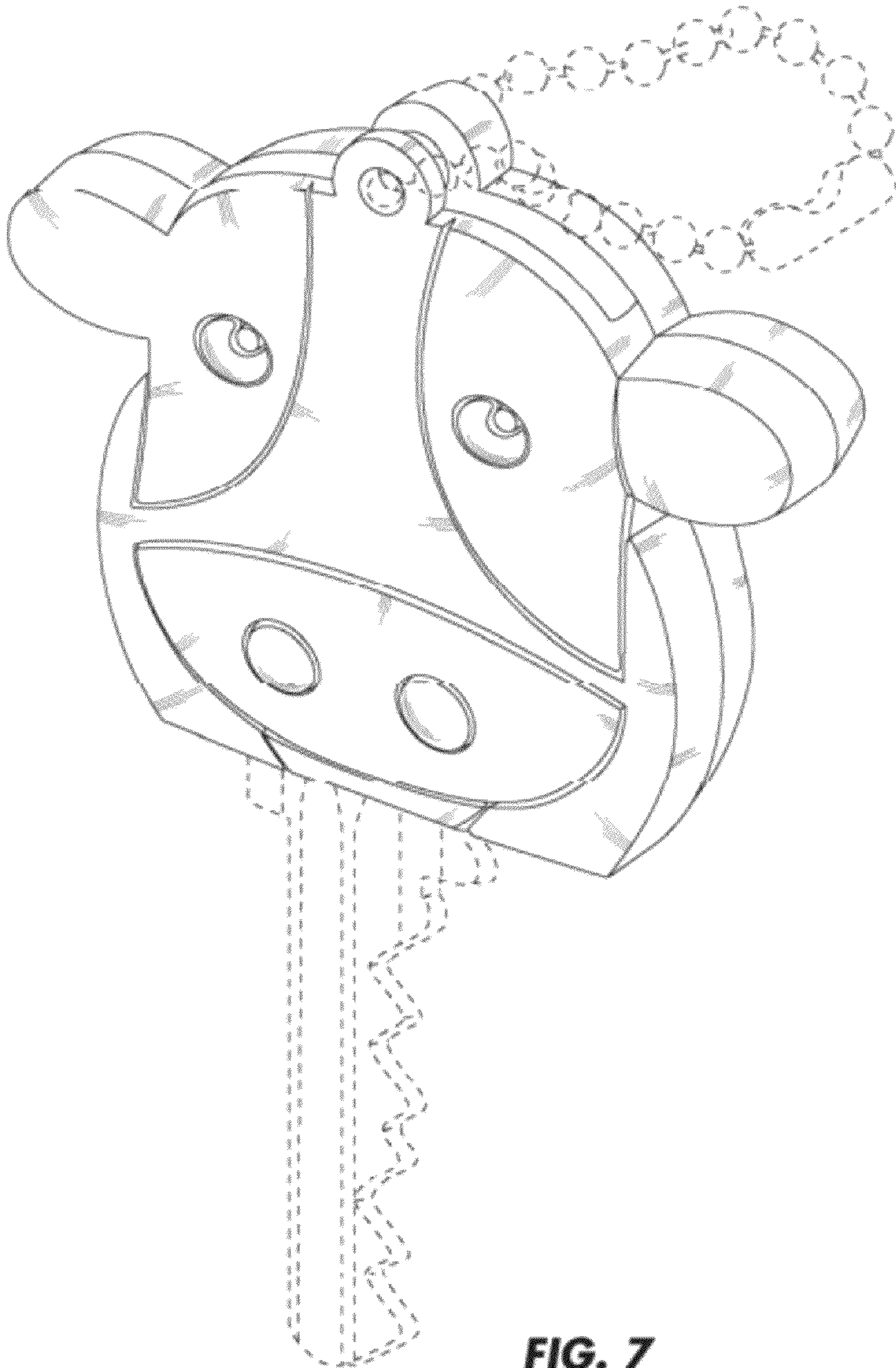


FIG. 7