

US00D661889S

(12) **United States Design Patent**
Wu

(10) **Patent No.:** **US D661,889 S**
(45) **Date of Patent:** **** Jun. 19, 2012**

(54) **KEY FOB WITH 3 LED LIGHT**

(75) Inventor: **Liuning Wu**, Ningbo (CN)

(73) Assignee: **Ningbo Worth International Trade Co., Ltd.**, Ningbo (CN)

(**) Term: **14 Years**

(21) Appl. No.: **29/374,141**

(22) Filed: **Jul. 7, 2011**

(51) **LOC (9) Cl.** **03-01**

(52) **U.S. Cl.** **D3/207**

(58) **Field of Classification Search** D11/1-2,
D11/14, 26-29, 89-92, 44, 48, 81, 99; 63/26-28,
63/32; D3/207-212; D8/38; 70/456 B;
206/37.1; D13/168; 362/184

See application file for complete search history.

(56) **References Cited**

U.S. PATENT DOCUMENTS

D392,201 S * 3/1998 Chen D10/104.1
D475,195 S * 6/2003 Christianson D3/209
D476,805 S * 7/2003 Kan D3/209

6,979,099 B2 * 12/2005 Harris et al. 362/184
D541,040 S * 4/2007 Cui D3/207
D587,449 S * 3/2009 Oksanen D3/207
D624,305 S * 9/2010 Downes D3/207
D636,175 S * 4/2011 Edocs D3/207

* cited by examiner

Primary Examiner — Ralf Seifert

(74) *Attorney, Agent, or Firm* — Thomas I. Rozsa

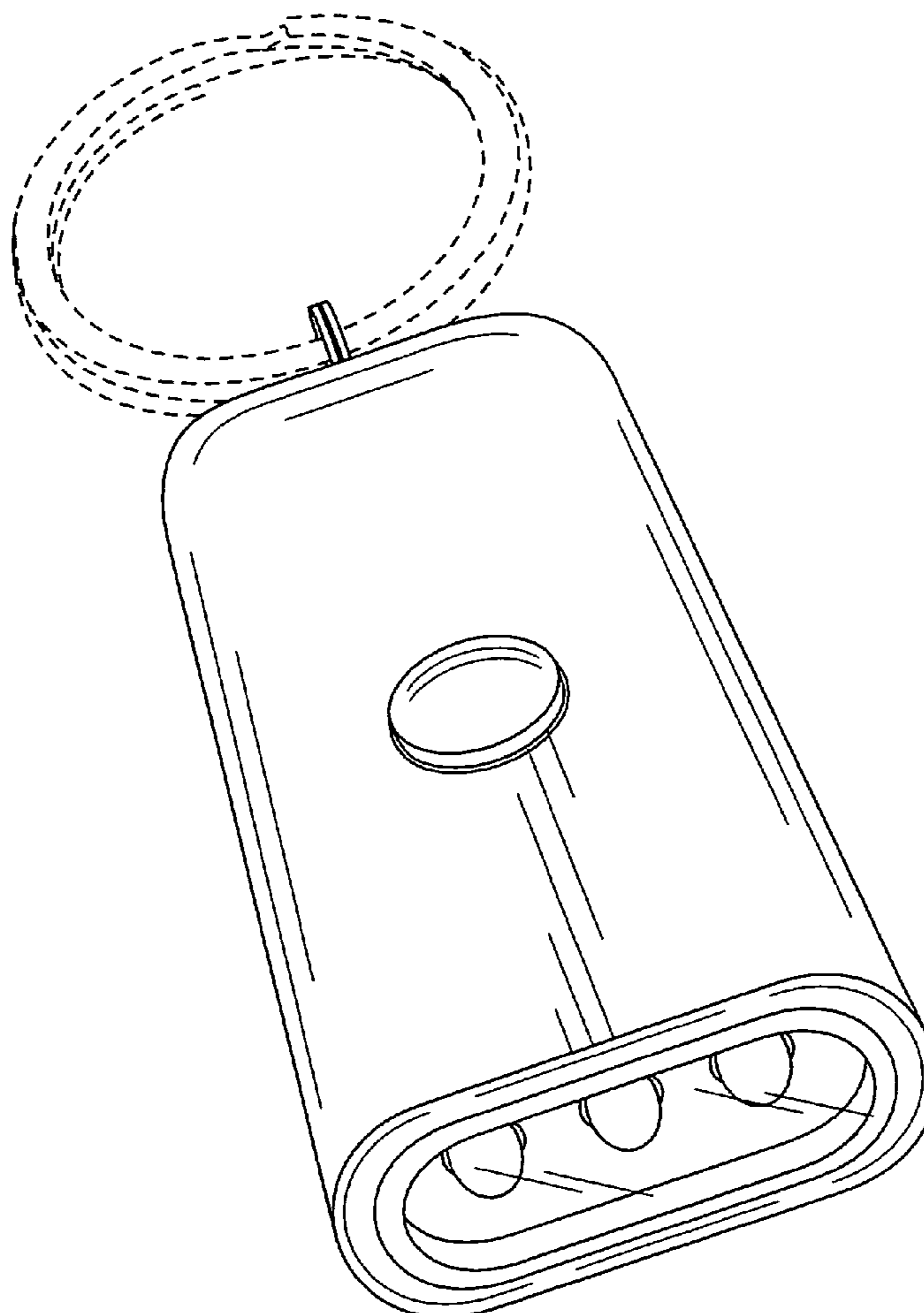
(57) **CLAIM**

The ornamental design for a key fob with 3 LED light, as shown and described.

DESCRIPTION

FIG. 1 is a side-front perspective view of the key fob with 3 LED light, showing my new design;
FIG. 2 is a front elevational view thereof;
FIG. 3 is rear elevational view thereof;
FIG. 4 is a right side elevational view thereof;
FIG. 5 is a left side elevational view thereof;
FIG. 6 is a top elevational view thereof; and
FIG. 7 is a bottom view thereof; and,
FIG. 8 is a bottom-front perspective view thereof.

1 Claim, 7 Drawing Sheets



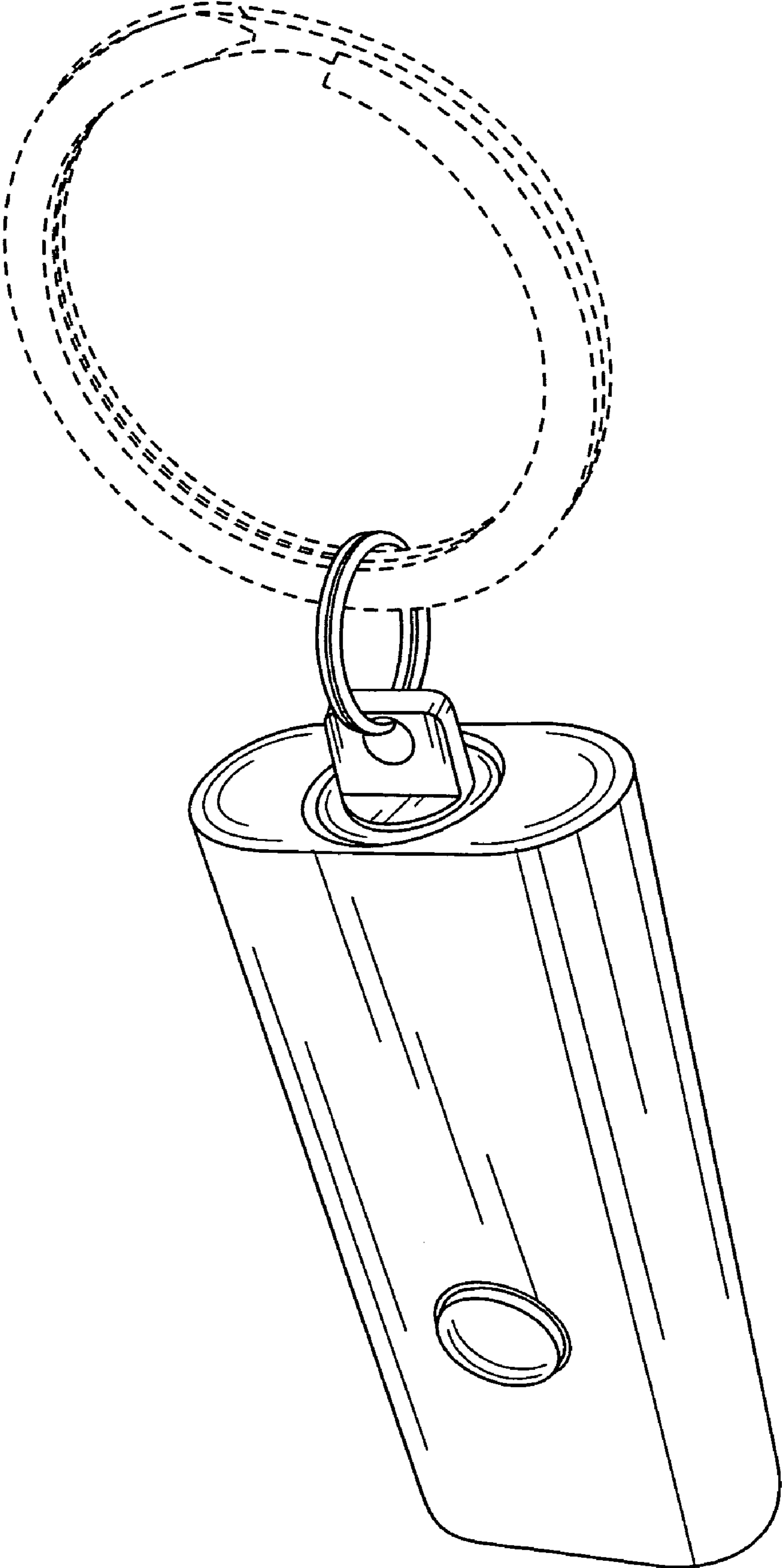


FIG. 1

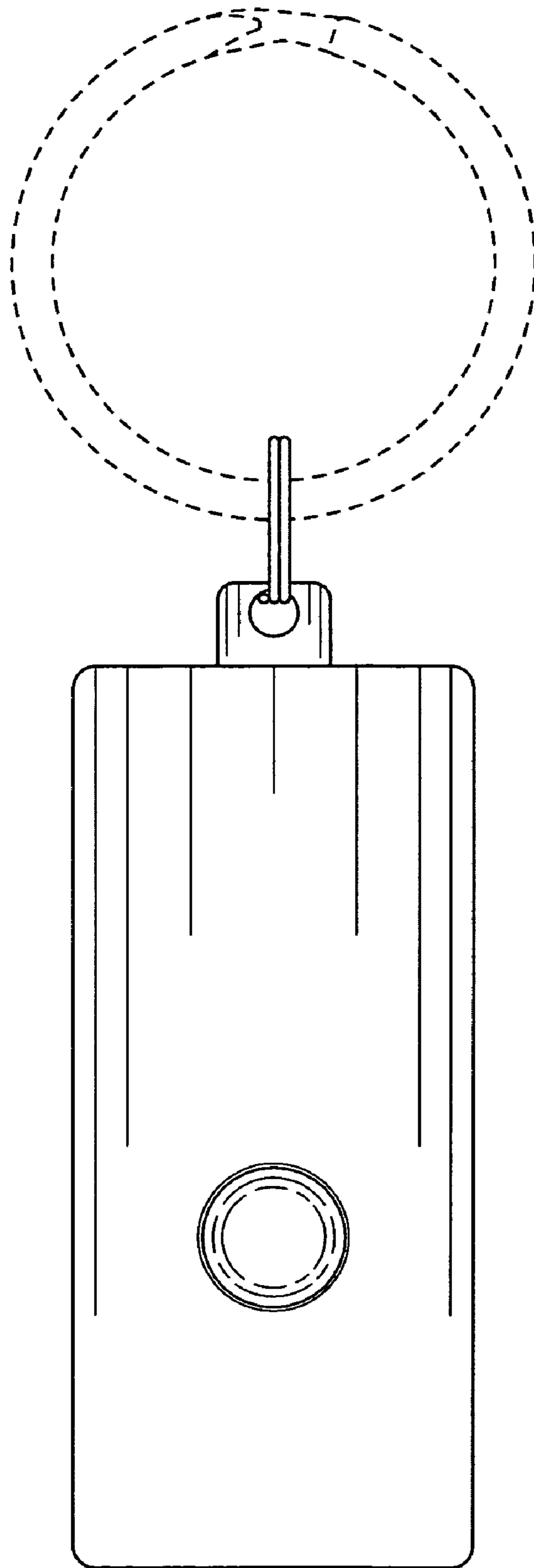


FIG. 2

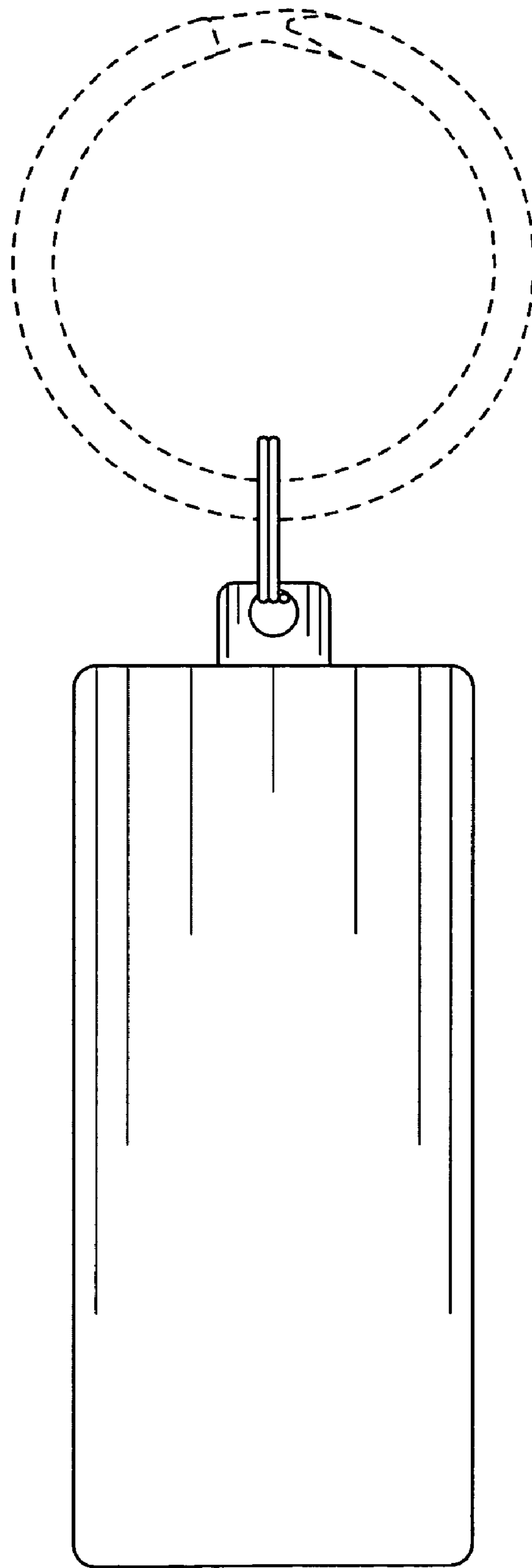


FIG. 3

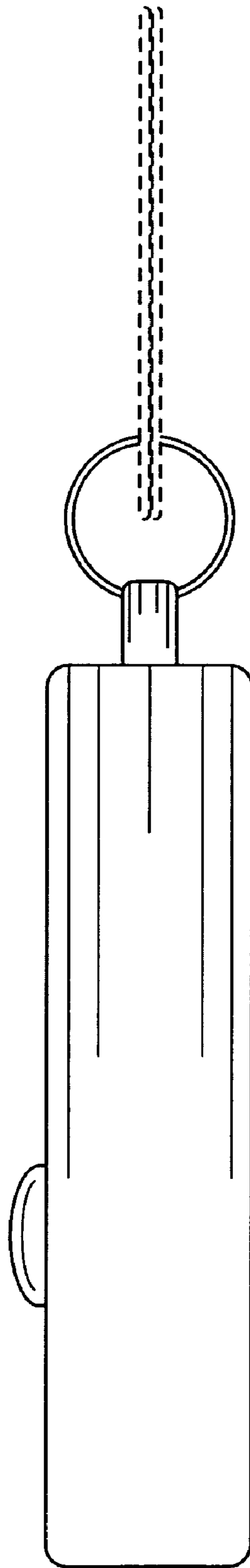


FIG. 4

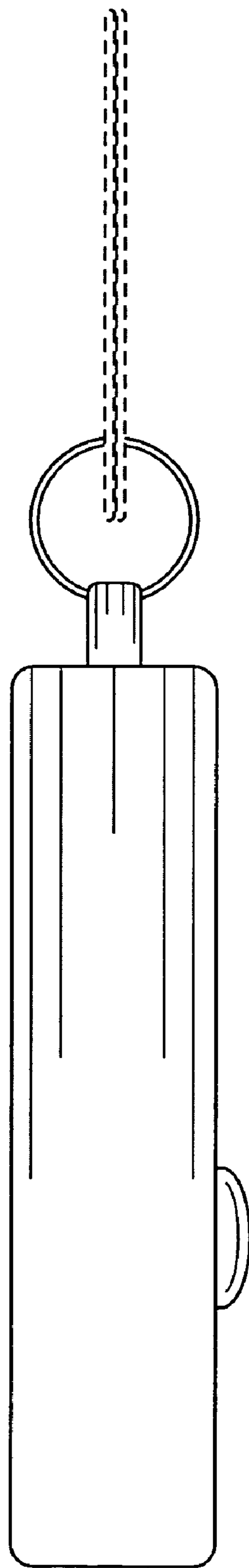


FIG. 5

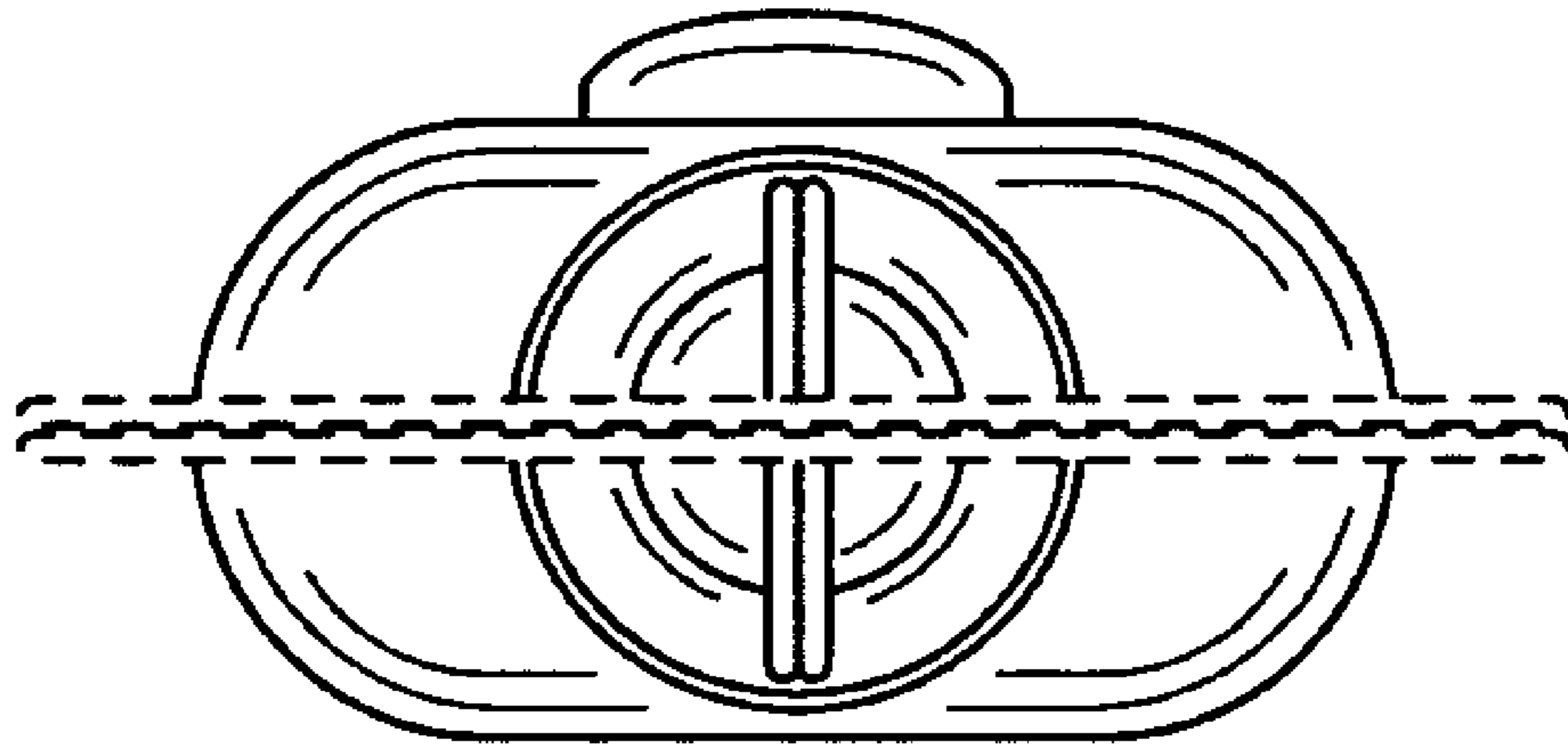


FIG. 6

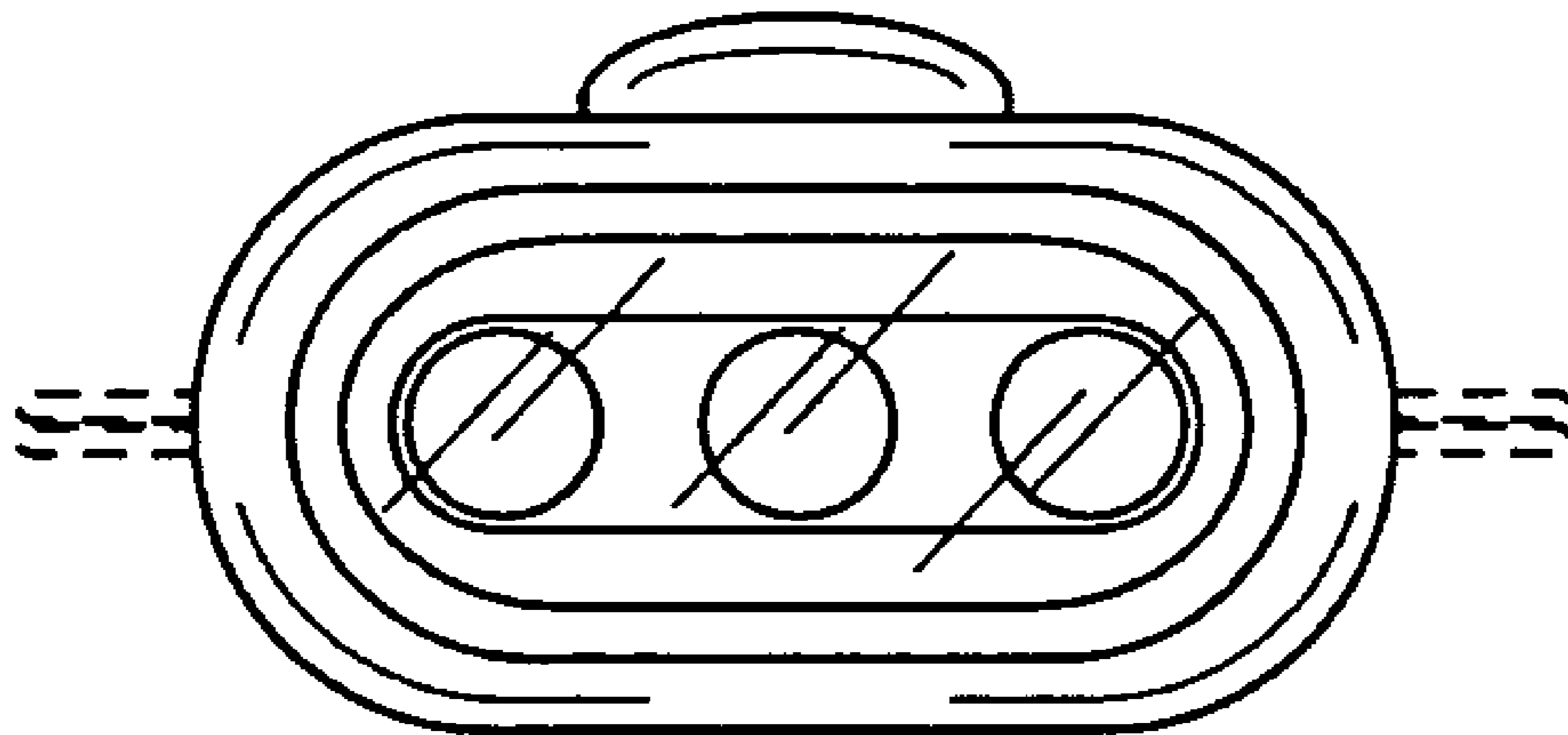


FIG. 7

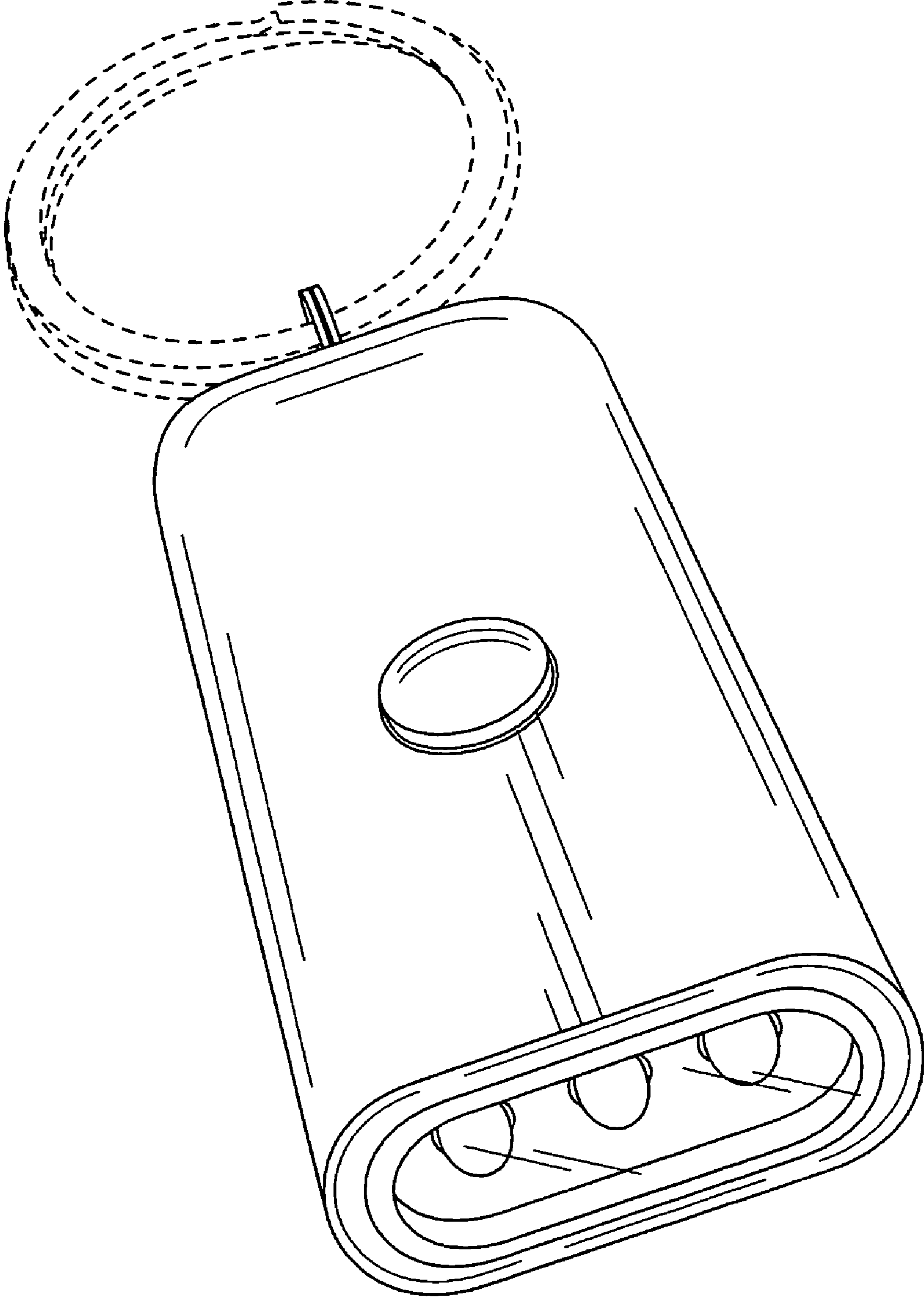


FIG. 8