



US00D661871S

(12) **United States Design Patent**
Savage

(10) **Patent No.:** **US D661,871 S**
(45) **Date of Patent:** **** Jun. 19, 2012**

- (54) **WAISTBAND FOR A GARMENT**
- (75) Inventor: **Shannon Savage**, Vancouver (CA)
- (73) Assignee: **Lululemon Athletica Canada Inc.**,
Vancouver (CA)
- (**) Term: **14 Years**
- (21) Appl. No.: **29/398,160**
- (22) Filed: **Jul. 27, 2011**
- (51) **LOC (9) Cl.** **02-02**
- (52) **U.S. Cl.** **D2/742**
- (58) **Field of Classification Search** D2/731,
D2/738, 742, 712, 716, 627; 2/227, 228,
2/238, 242, 236, 237, 312
See application file for complete search history.

(56) **References Cited**

U.S. PATENT DOCUMENTS

1,667,363	A *	4/1928	Wagner	2/227
2,508,190	A *	5/1950	Previdi	2/253
2,526,641	A *	10/1950	De Grazia	2/312
2,849,773	A *	9/1958	Kaselow	24/200
3,141,457	A *	7/1964	Davidson	128/95.1
4,509,214	A *	4/1985	Shea	2/322
D338,997	S *	9/1993	Greco	D2/627
D358,472	S *	5/1995	Firouzpour	D2/716
5,484,395	A *	1/1996	DeRoche	602/19
6,401,250	B1 *	6/2002	McNabb	2/78.2

8,028,345	B2 *	10/2011	Waite et al.	2/69
2005/0268379	A1 *	12/2005	MacGeorge	2/400
2009/0049583	A1 *	2/2009	Stones	2/221

* cited by examiner

Primary Examiner — Rashida Johnson

(74) *Attorney, Agent, or Firm* — Joseph Conneely;
McCarthy Tetrault LLP

(57) **CLAIM**

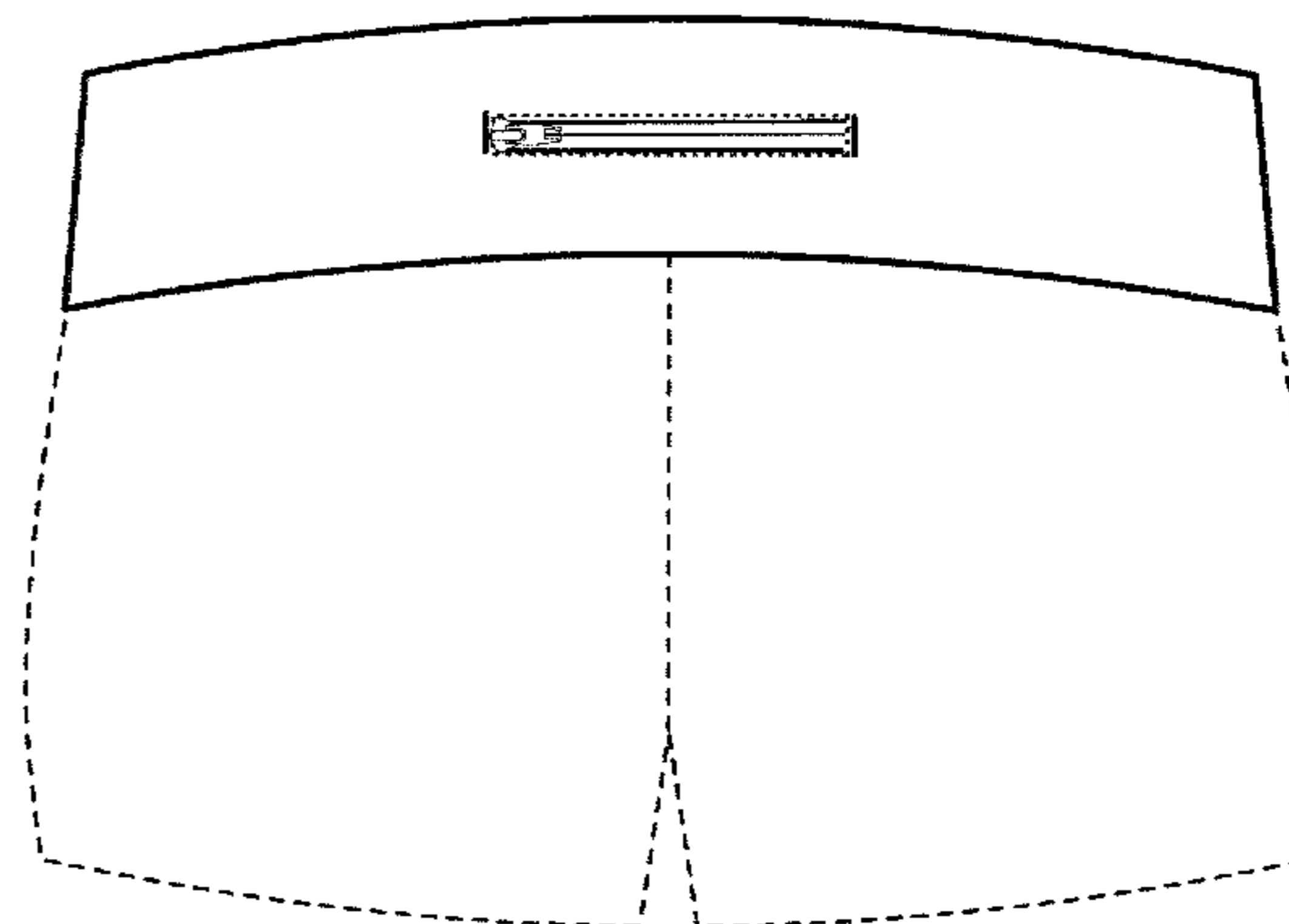
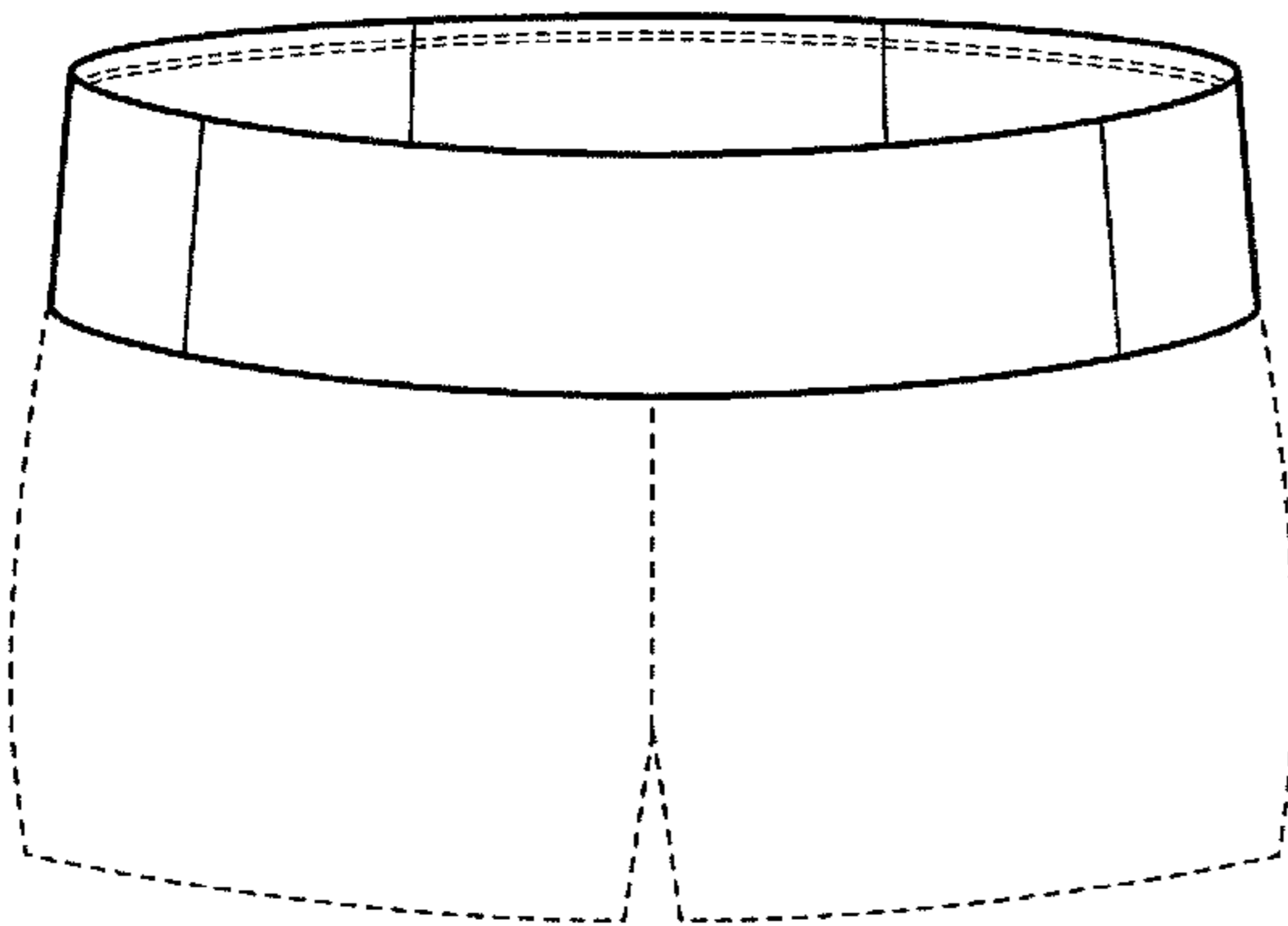
The ornamental design for a waistband for a garment, as shown and described.

DESCRIPTION

FIG. 1 is a front view of a waistband for a garment according to the design;
 FIG. 2 is a rear view thereof;
 FIG. 3 is a right side view thereof;
 FIG. 4 is a left side view thereof;
 FIG. 5 is a cross sectional view thereof taken along line 5-5 in FIG. 3;
 FIG. 6 is a cross sectional view thereof taken along line 6-6 in FIG. 4;
 FIG. 7 is a rear perspective view thereof; and,
 FIG. 8 is a top view thereof.

The broken lines shown within the waistband in FIGS. 1-8 represent stitching. The broken line showing of the legs of the garment in FIGS. 1-8 is for the purpose of illustrating portions of the environmental structure and forms no part of the claimed design.

1 Claim, 8 Drawing Sheets



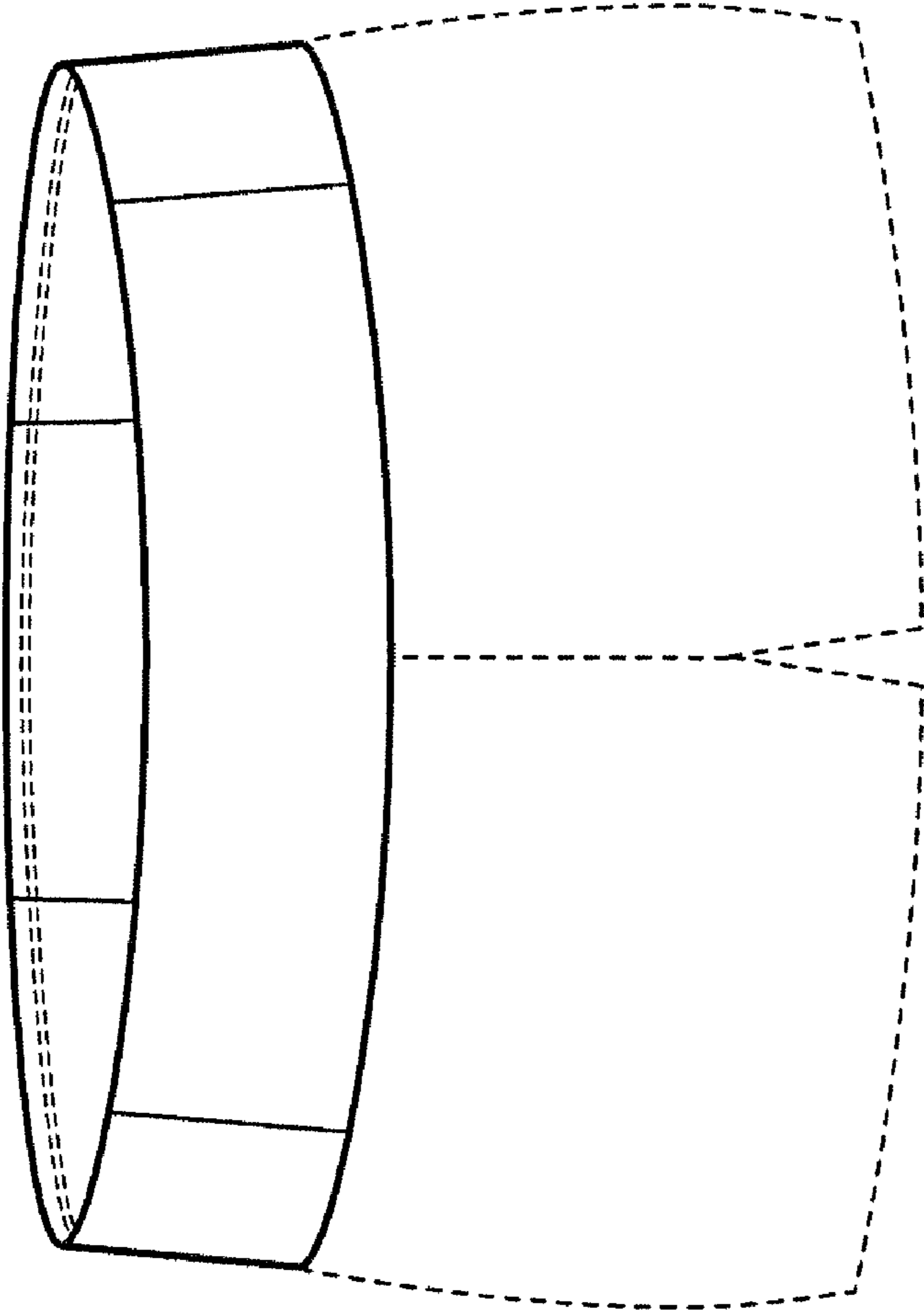


Fig. 1

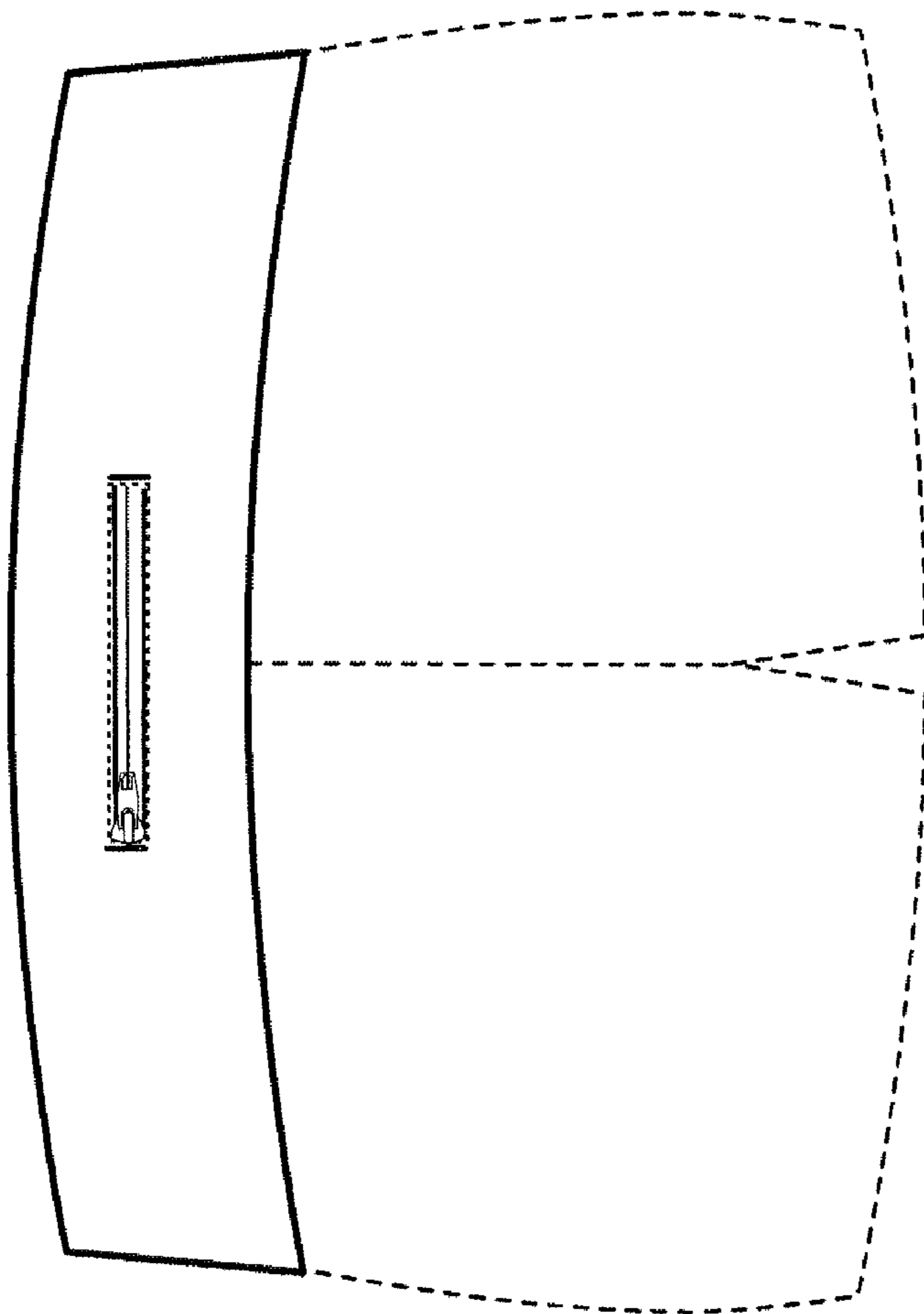


Fig. 2

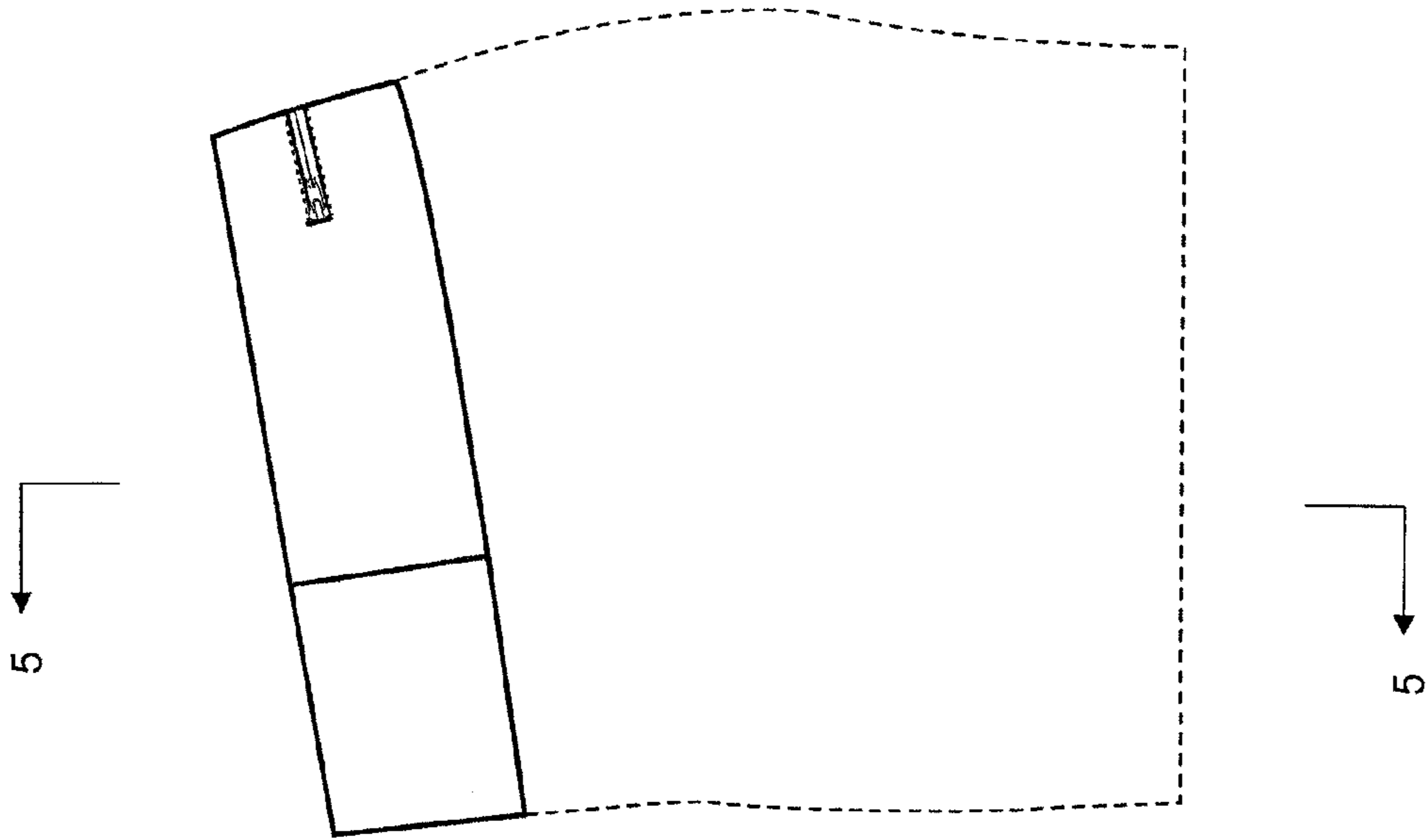


Fig. 3

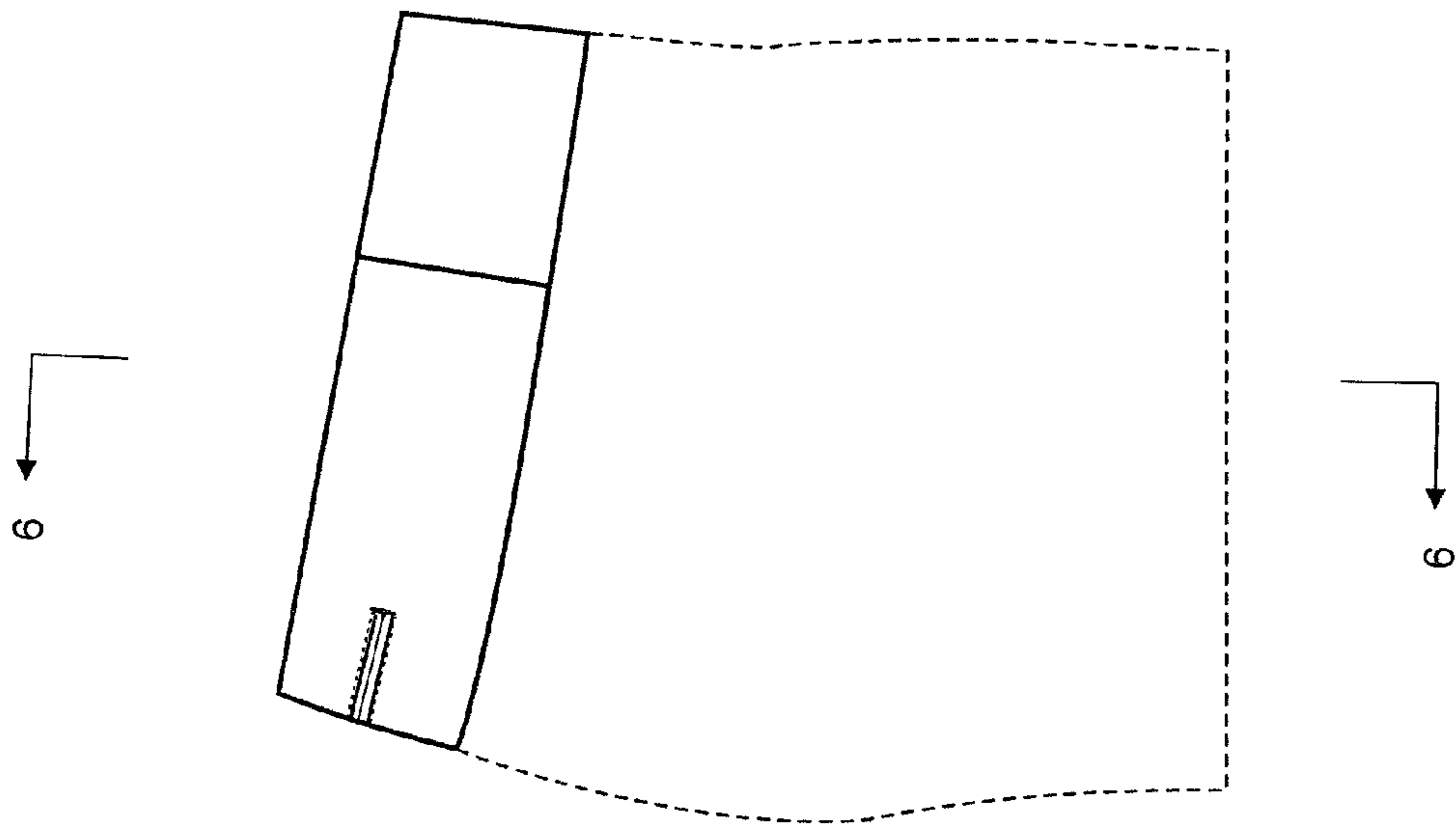


Fig. 4

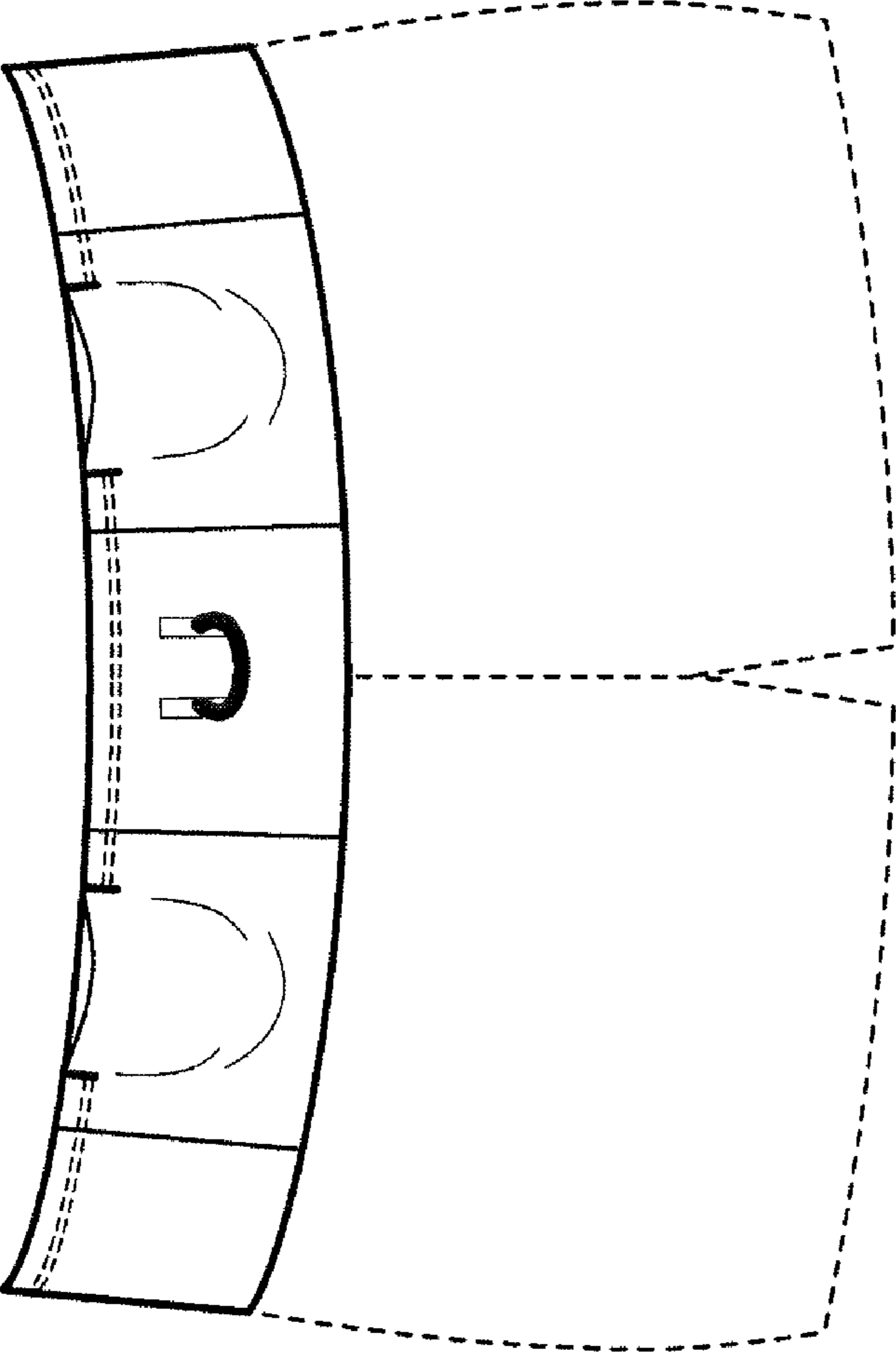


Fig. 5

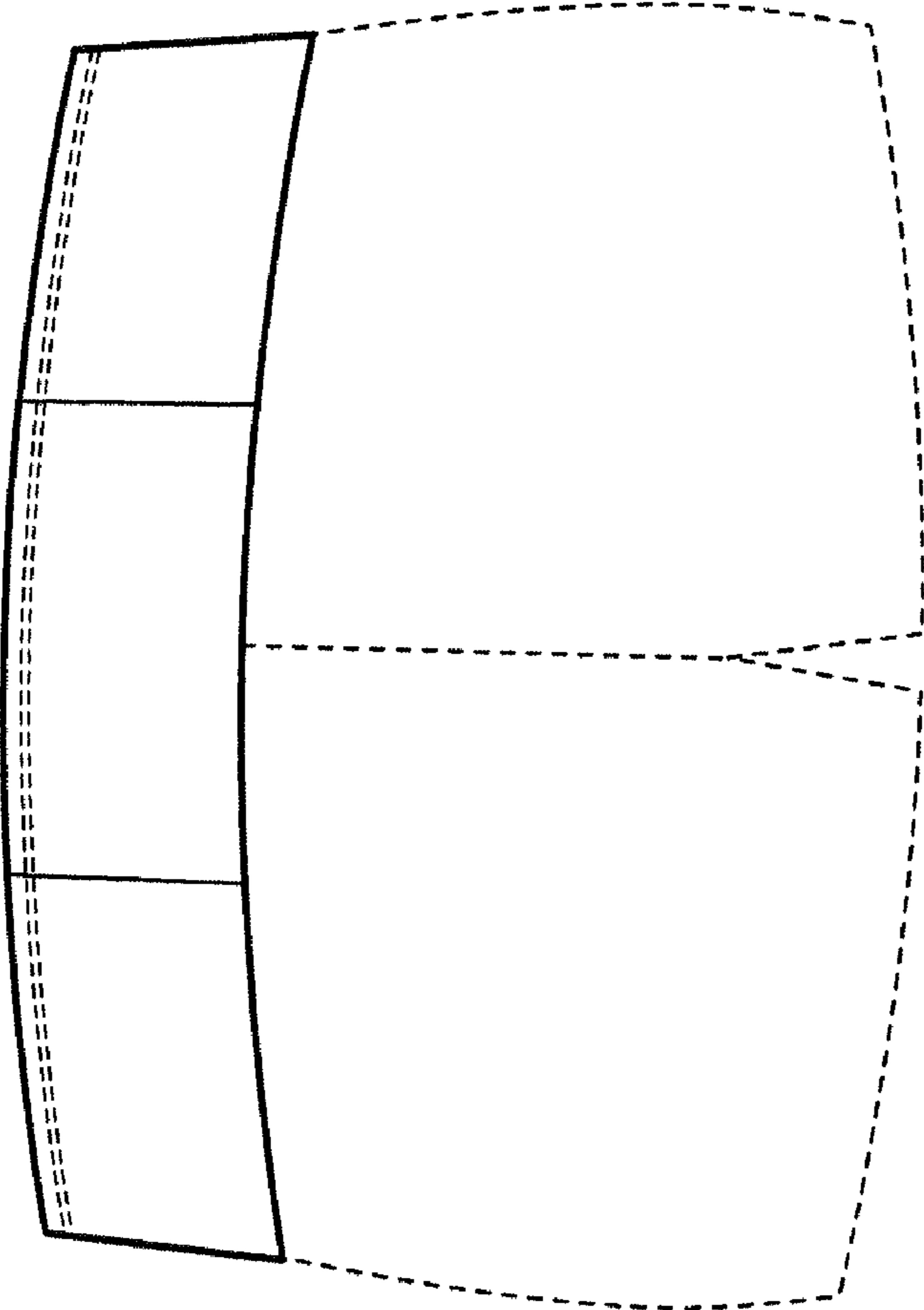


Fig. 6

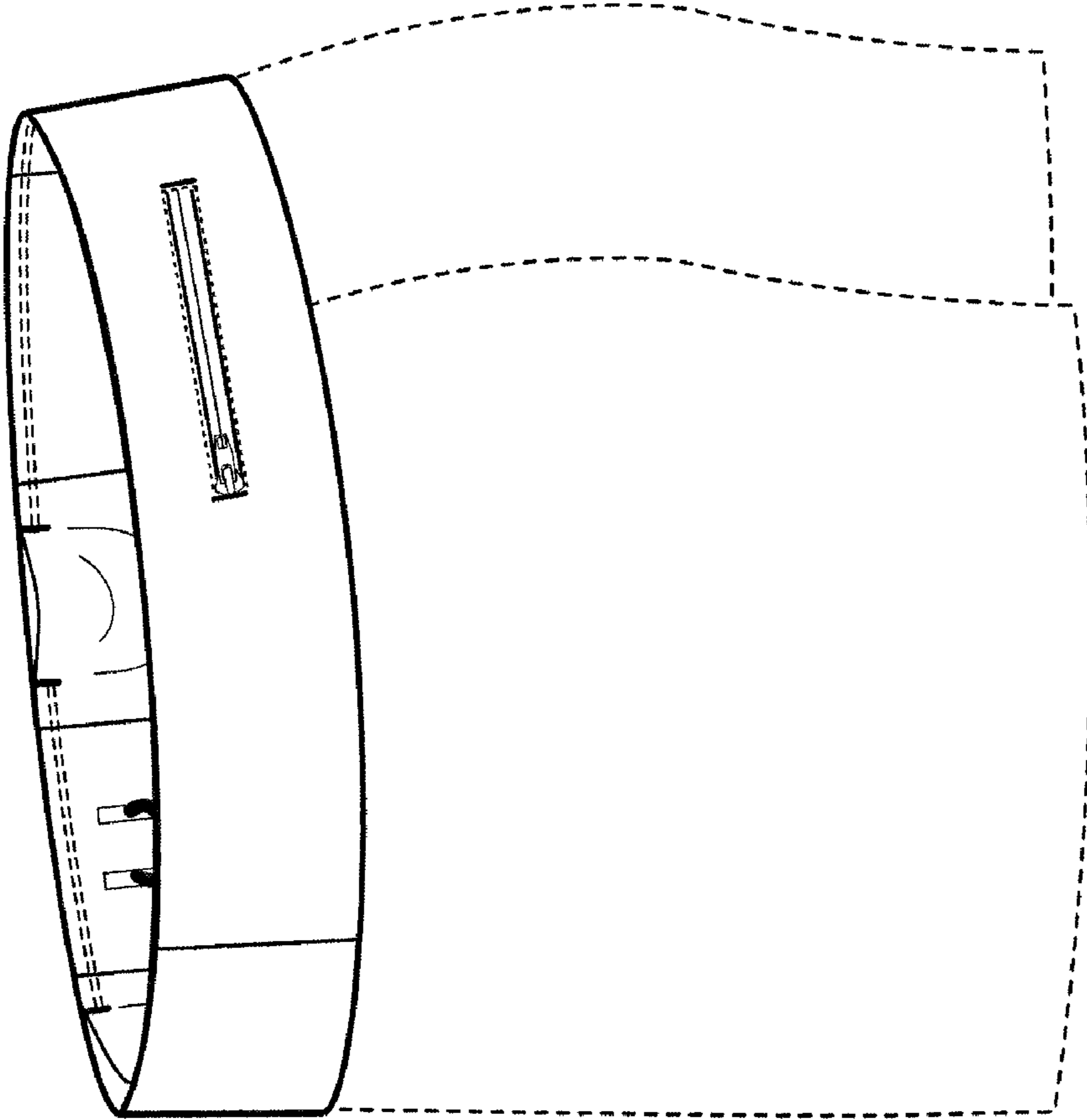


Fig. 7

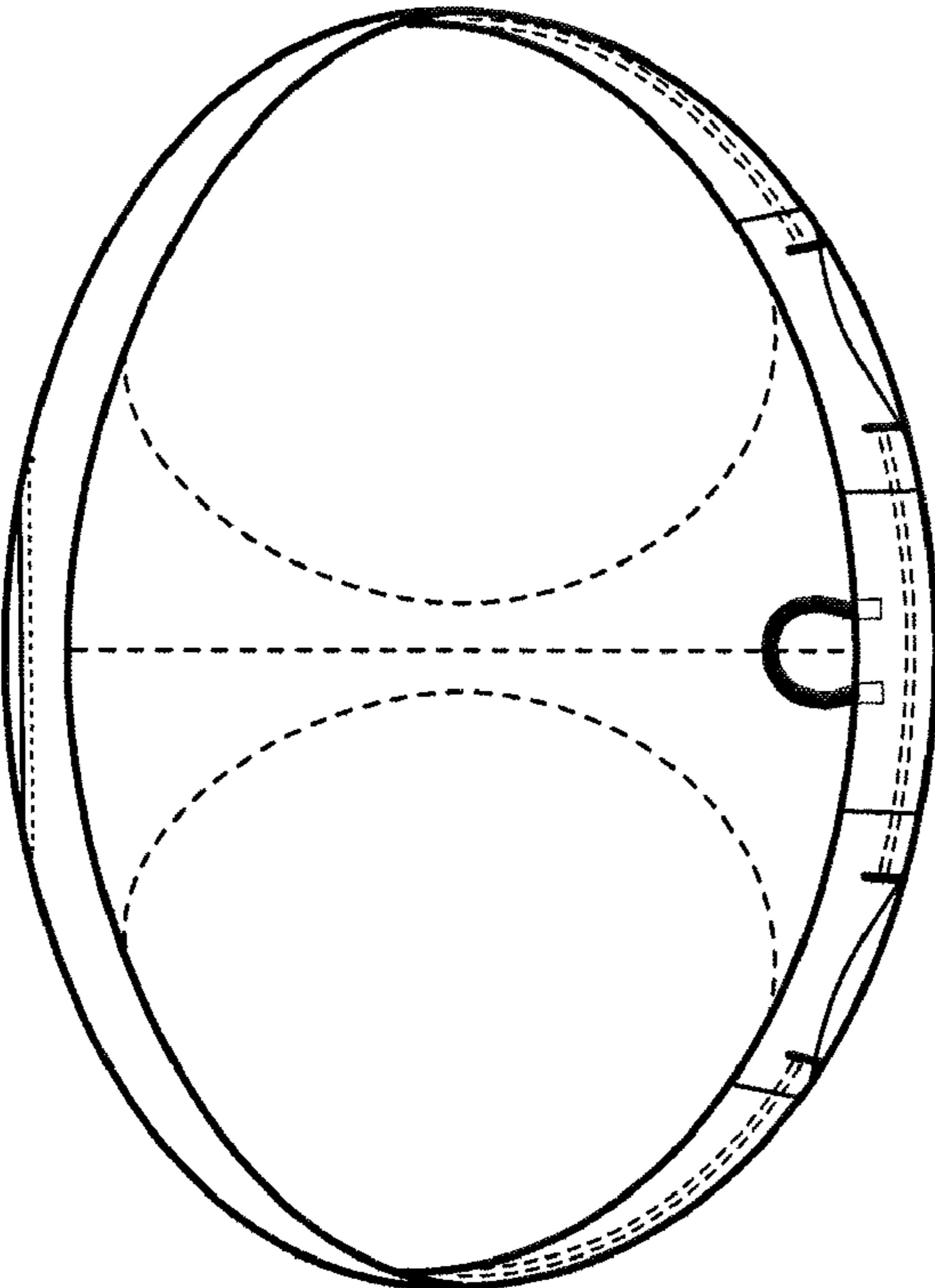


Fig. 8