

US00D661868S

(12) **United States Design Patent**
Takeda et al.

(10) **Patent No.:** **US D661,868 S**
(45) **Date of Patent:** **** Jun. 19, 2012**

(54) **PET CHEW ARTICLE**

(75) Inventors: **Yasushi Takeda**, Kagawa (JP); **Yuji Makihara**, Kagawa (JP); **Kazunori Inoue**, Kagawa (JP); **Yosuke Kobayashi**, Kagawa (JP)

(73) Assignee: **Uni-Charm Corporation**, Ehime (JP)

(**) Term: **14 Years**

(21) Appl. No.: **29/394,154**

(22) Filed: **Jun. 14, 2011**

(51) **LOC (9) Cl.** **01-01**

(52) **U.S. Cl.** **D1/199**

(58) **Field of Classification Search** D1/100–199;
D30/160, 158; D24/102, 103, 211–212;
426/2, 104, 635, 805; 119/706–711, 702;
D21/386, 707; D4/104–112, 136; 15/167.1,
15/167.2, 110, 188; D25/119, 121

See application file for complete search history.

(56) **References Cited**

U.S. PATENT DOCUMENTS

| | | | | | | |
|-----------|---|---|---------|----------------|-------|----------|
| 414,090 | A | * | 10/1889 | Taylor | | 72/468 |
| D34,677 | S | * | 6/1901 | Rockwell | | D13/100 |
| 729,248 | A | * | 5/1903 | Yeager et al. | | 426/249 |
| D134,414 | S | * | 11/1942 | Orme, Jr. | | D1/120 |
| 3,344,457 | A | * | 10/1967 | Grobert | | 15/207.2 |
| 3,415,225 | A | * | 12/1968 | Collier | | 119/174 |
| D372,351 | S | * | 8/1996 | Margolis | | D1/102 |
| D437,101 | S | * | 2/2001 | Debbouz et al. | | D1/126 |

| | | | | | | |
|----------|---|---|---------|----------------|-------|---------|
| D473,348 | S | * | 4/2003 | Lang | | D30/160 |
| D500,579 | S | * | 1/2005 | Tansey et al. | | D1/199 |
| D509,045 | S | * | 9/2005 | Buckley et al. | | D1/199 |
| D511,236 | S | * | 11/2005 | Crum et al. | | D1/106 |
| D512,810 | S | * | 12/2005 | Englisch | | D1/199 |
| D535,108 | S | * | 1/2007 | Ping Sheng | | D5/99 |
| D536,537 | S | * | 2/2007 | Ping Sheng | | D5/99 |
| D585,177 | S | * | 1/2009 | Wylie | | D1/125 |
| D591,926 | S | * | 5/2009 | Jia et al. | | D1/125 |
| D603,134 | S | * | 11/2009 | Powell | | D1/199 |
| D603,135 | S | * | 11/2009 | Unlu et al. | | D1/199 |
| D603,136 | S | * | 11/2009 | Unlu et al. | | D1/199 |
| D609,477 | S | * | 2/2010 | Leppert | | D5/99 |
| D649,740 | S | * | 12/2011 | Bredin et al. | | D1/125 |

* cited by examiner

Primary Examiner — Barbara Fox

(74) *Attorney, Agent, or Firm* — Brinks Hofer Gilson & Lione

(57) **CLAIM**

The ornamental design for a pet chew article, as shown and described.

DESCRIPTION

FIG. 1 is a front perspective view of a pet chew article bearing our new design;

FIG. 2 is a right side view of the pet chew article of FIG. 1;

FIG. 3 is a left side view of the pet chew article of FIG. 1;

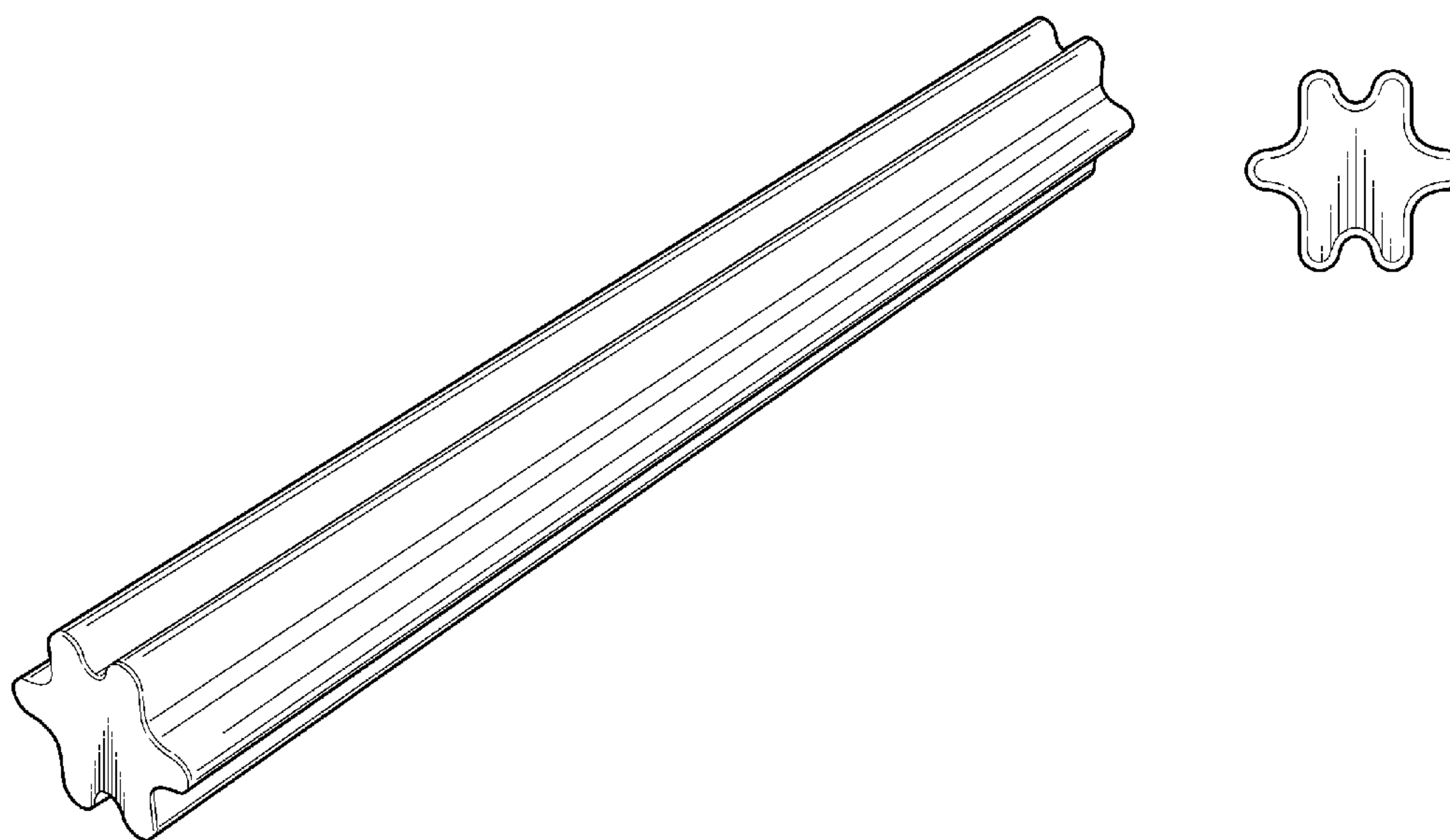
FIG. 4 is a top view of the pet chew article of FIG. 1;

FIG. 5 is a front view of the pet chew article of FIG. 1;

FIG. 6 is a bottom view of the pet chew article of FIG. 1; and,

FIG. 7 is a rear view of the pet chew article of FIG. 1.

1 Claim, 2 Drawing Sheets



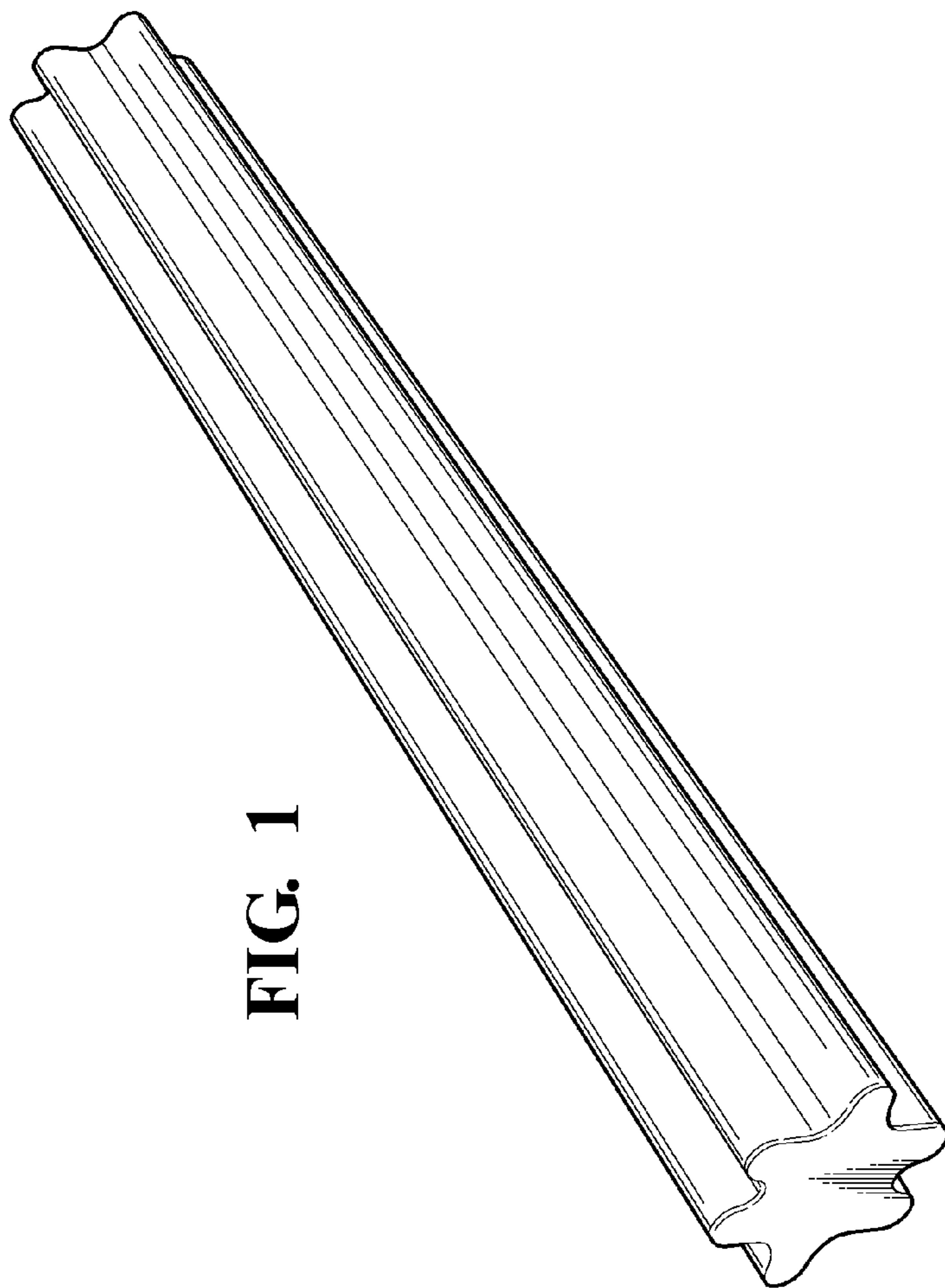


FIG. 1

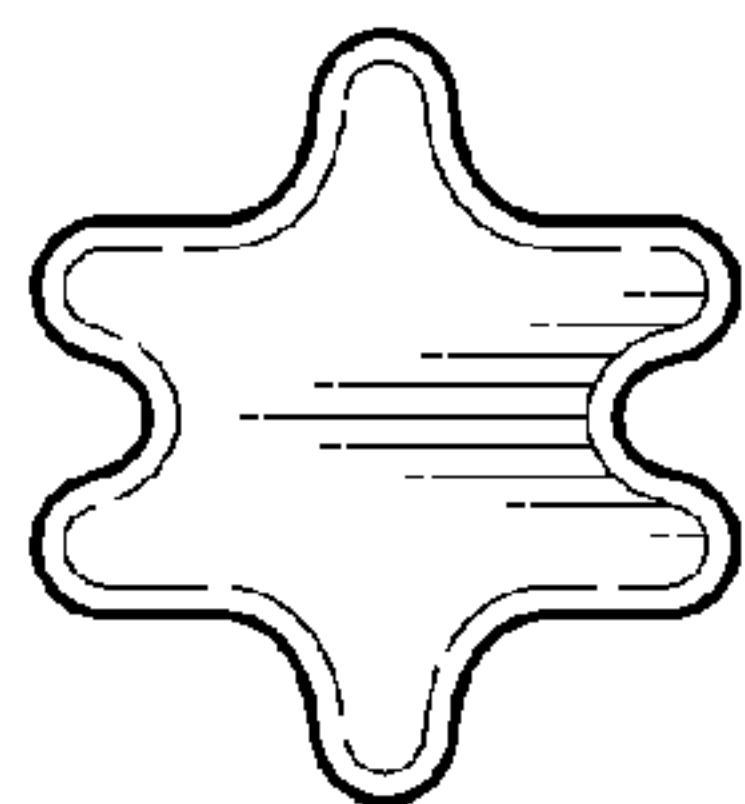


FIG. 2

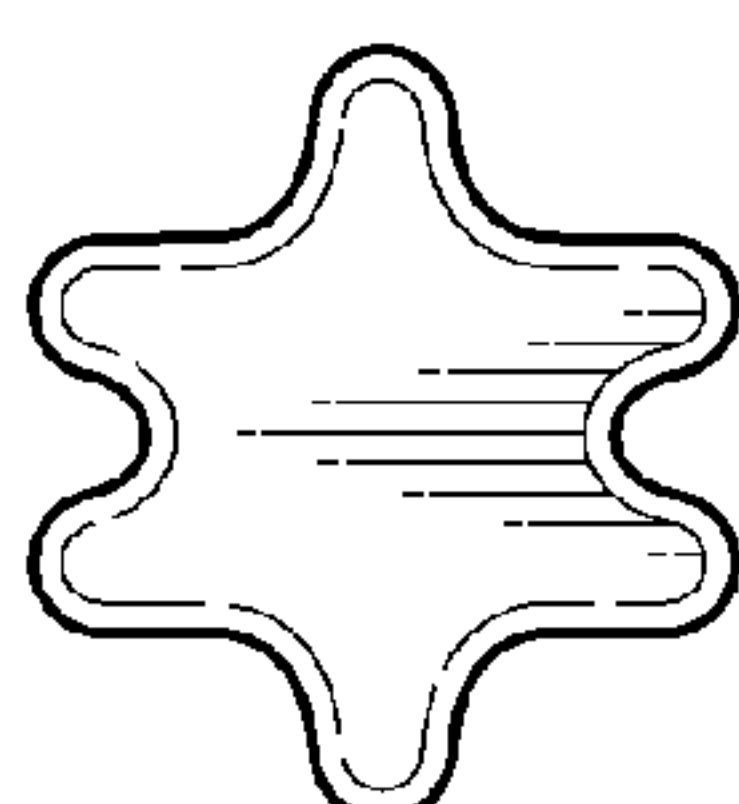
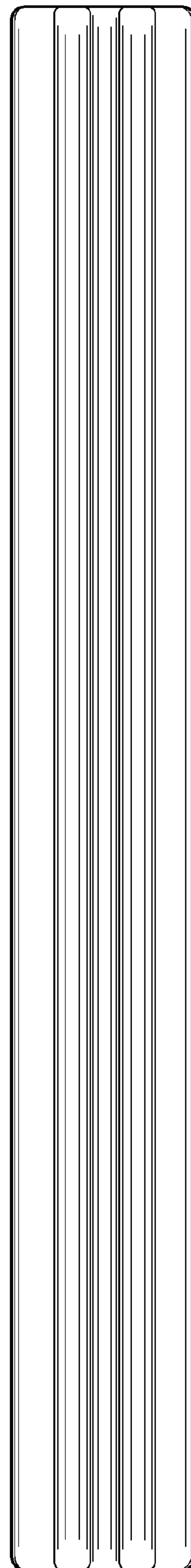


FIG. 3

FIG. 4



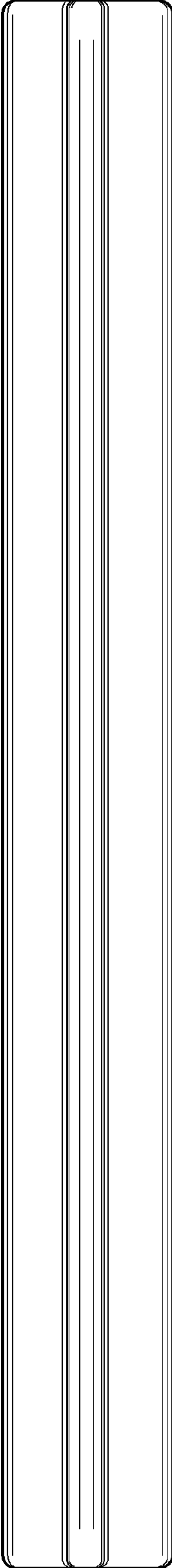


FIG. 5

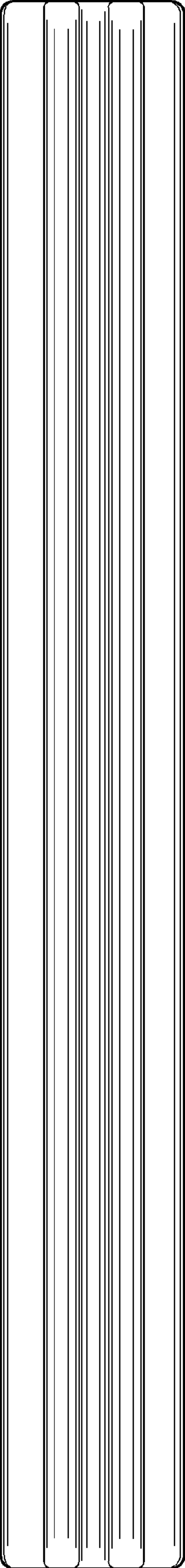


FIG. 6

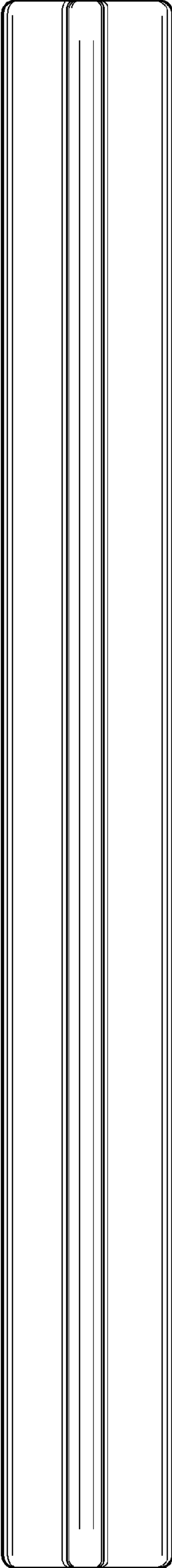


FIG. 7

UNITED STATES PATENT AND TRADEMARK OFFICE
CERTIFICATE OF CORRECTION

PATENT NO. : D661,868 S
APPLICATION NO. : 29/394154
DATED : June 19, 2012
INVENTOR(S) : Yasushi Takeda et al.

Page 1 of 1

It is certified that error appears in the above-identified patent and that said Letters Patent is hereby corrected as shown below:

On the Title Page

Item (30) Foreign Application Priority Data should be added as:

-- Foreign Application Priority Data

Dec. 16, 2010 (JP) 2010-030075 --

Signed and Sealed this
Twenty-sixth Day of February, 2013



Teresa Stanek Rea
Acting Director of the United States Patent and Trademark Office