



US00D661866S

(12) **United States Design Patent**
Asakura

(10) **Patent No.:** **US D661,866 S**
(45) **Date of Patent:** **** Jun. 19, 2012**

(54) **CHOCOLATE**

(75) Inventor: **Yasuyo Asakura**, Tokyo (JP)

(73) Assignee: **Lotte Co., Ltd.**, Tokyo (JP)

(**) Term: **14 Years**

(21) Appl. No.: **29/371,231**

(22) Filed: **Dec. 9, 2010**

(30) **Foreign Application Priority Data**

Jun. 10, 2010 (JP) 2010-014228
Jun. 10, 2010 (JP) 2010-014229

(51) **LOC (9) Cl.** **01-01**

(52) **U.S. Cl.** **D1/127**

(58) **Field of Classification Search** D1/100-101,
D1/121, 125, 127-128, 199; D21/386; D24/101,
D24/104; D28/8.1; 426/76, 103, 122, 144,
426/660, 512, 515, 383

See application file for complete search history.

(56) **References Cited**

U.S. PATENT DOCUMENTS

1,855,145 A * 4/1932 Bartlett 426/87
4,446,159 A * 5/1984 Roth 426/249
D423,185 S * 4/2000 Sherman et al. D1/127
D427,415 S * 7/2000 Dolphin D1/128
D427,746 S * 7/2000 Cox D1/127
D473,033 S * 4/2003 Welles et al. D1/127
D498,343 S * 11/2004 Malina et al. D1/127
D506,591 S * 6/2005 Lee D1/127
D515,276 S * 2/2006 Lee D1/127
D541,006 S * 4/2007 Baumgartner D1/121
D561,426 S * 2/2008 Eitler et al. D1/127
D588,777 S * 3/2009 Bornholdt D1/127
D588,778 S * 3/2009 Winward et al. D1/127
D588,779 S * 3/2009 Winward et al. D1/127
D609,426 S * 2/2010 Jansen et al. D1/125
D609,876 S * 2/2010 Jansen et al. D1/125

D613,029 S * 4/2010 Krumholz et al. D1/127
D641,947 S * 7/2011 Bruyey et al. D1/127
D641,950 S * 7/2011 Bruyey et al. D1/127

FOREIGN PATENT DOCUMENTS

KR 30-0515106 12/2008

* cited by examiner

Primary Examiner — Barbara Fox

(74) *Attorney, Agent, or Firm* — Rabin & Berdo, P.C.

(57) **CLAIM**

The ornamental design for a chocolate, as shown and described.

DESCRIPTION

FIG. 1 is a perspective view of a chocolate showing my new design;

FIG. 2 is a top plan view thereof;

FIG. 3 is a front elevation view thereof, the rear elevation view thereof being the same image;

FIG. 4 is a bottom plan view thereof;

FIG. 5 is a right side view thereof, the left side view thereof being the same image;

FIG. 6 is a sectional view thereof taken on line 6-6 of FIG. 3;

FIG. 7 is a perspective view of a second embodiment of a chocolate showing my new design;

FIG. 8 is a top plan view of the second embodiment;

FIG. 9 is a front elevation view of the second embodiment, the rear elevation view thereof being the same image;

FIG. 10 is a bottom plan view of the second embodiment;

FIG. 11 is a left side view of the second embodiment;

FIG. 12 is a right side view of the second embodiment;

FIG. 13 is a sectional view of the second embodiment taken on line 13-13 of FIG. 9;

FIG. 14 is an enlarged view of the portion indicated by arrows 14 in FIG. 8; and,

FIG. 15 is an enlarged view of the portion indicated by arrows 15 in FIG. 13.

1 Claim, 5 Drawing Sheets

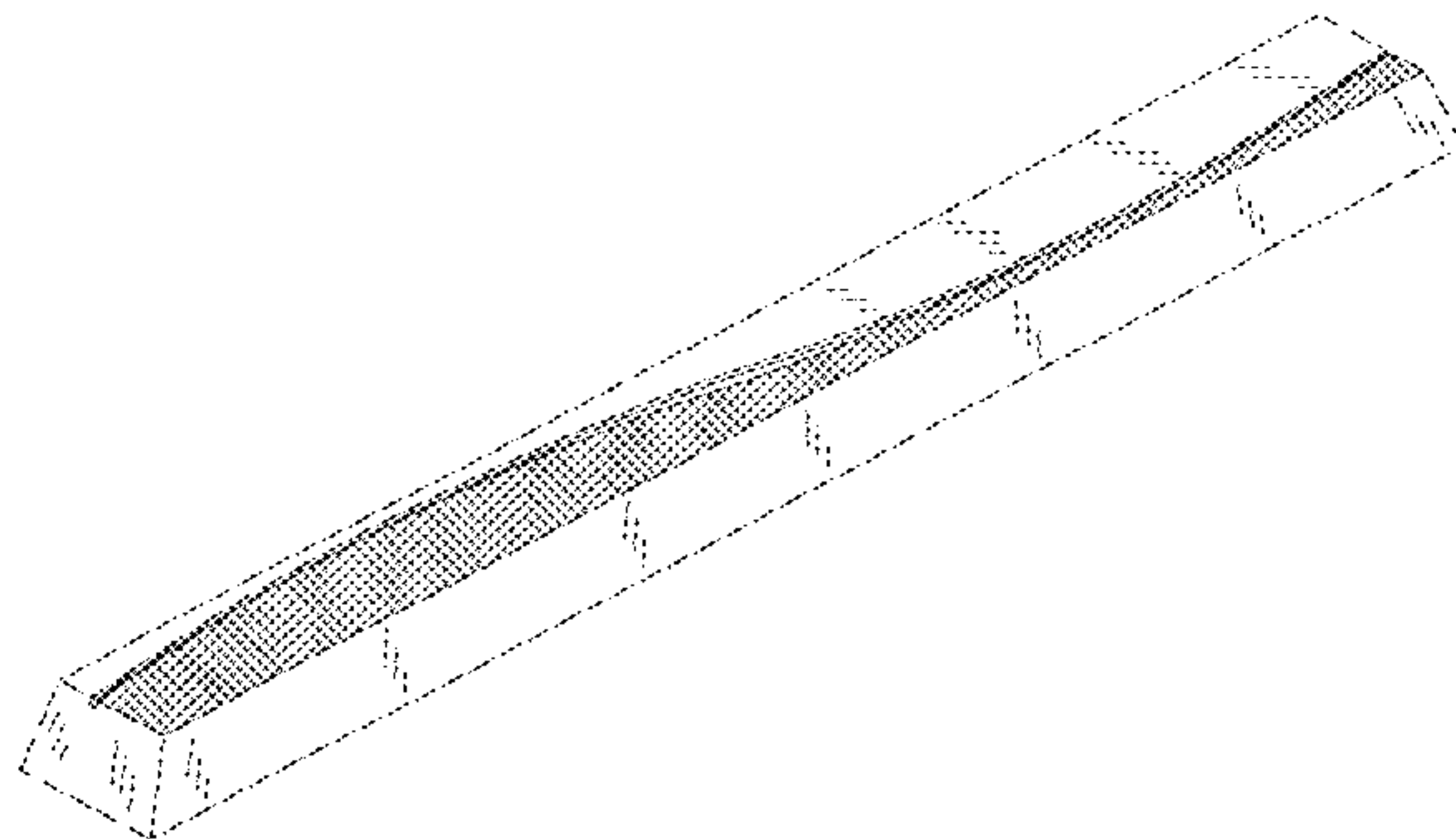
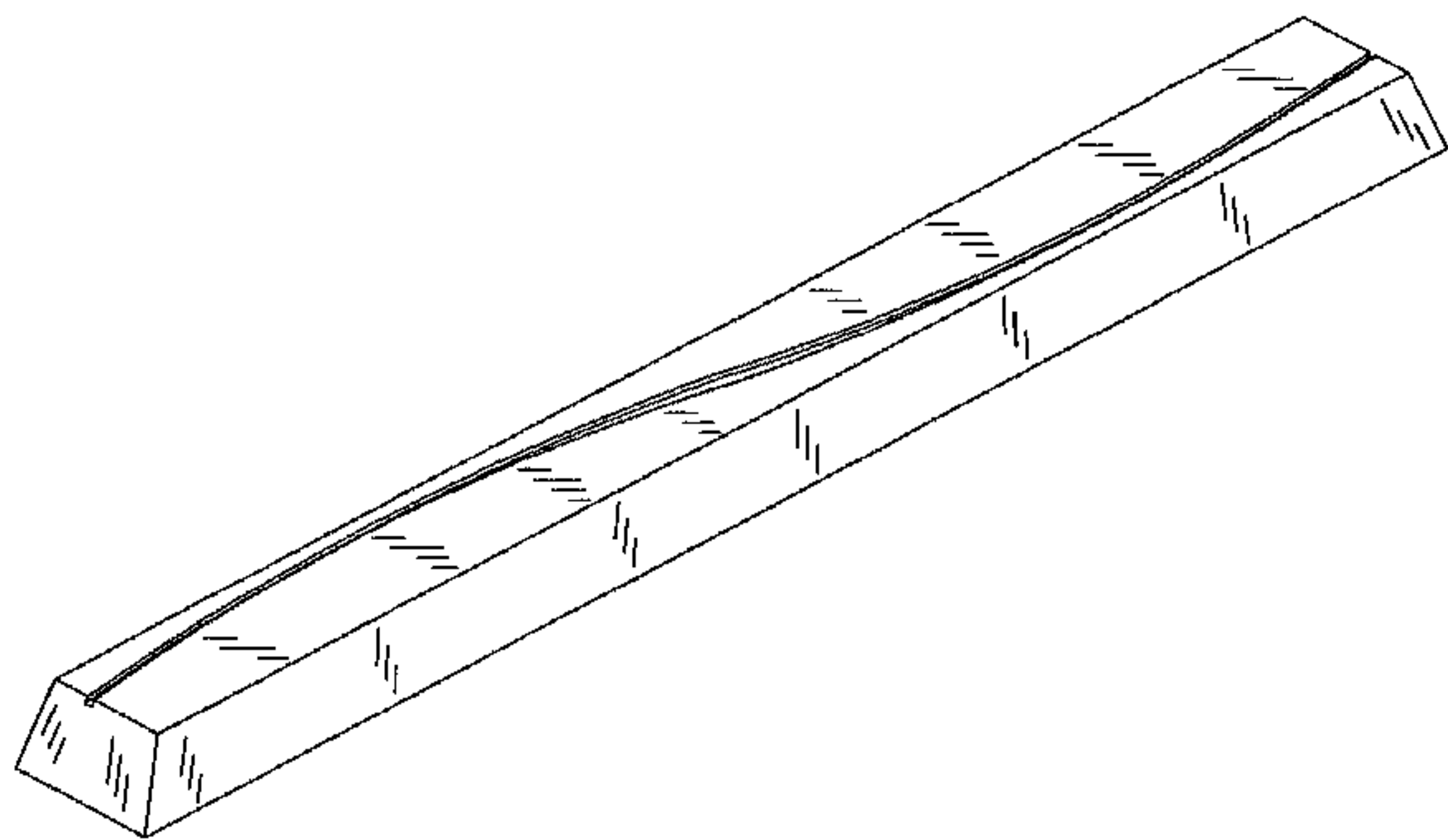


FIG. 1

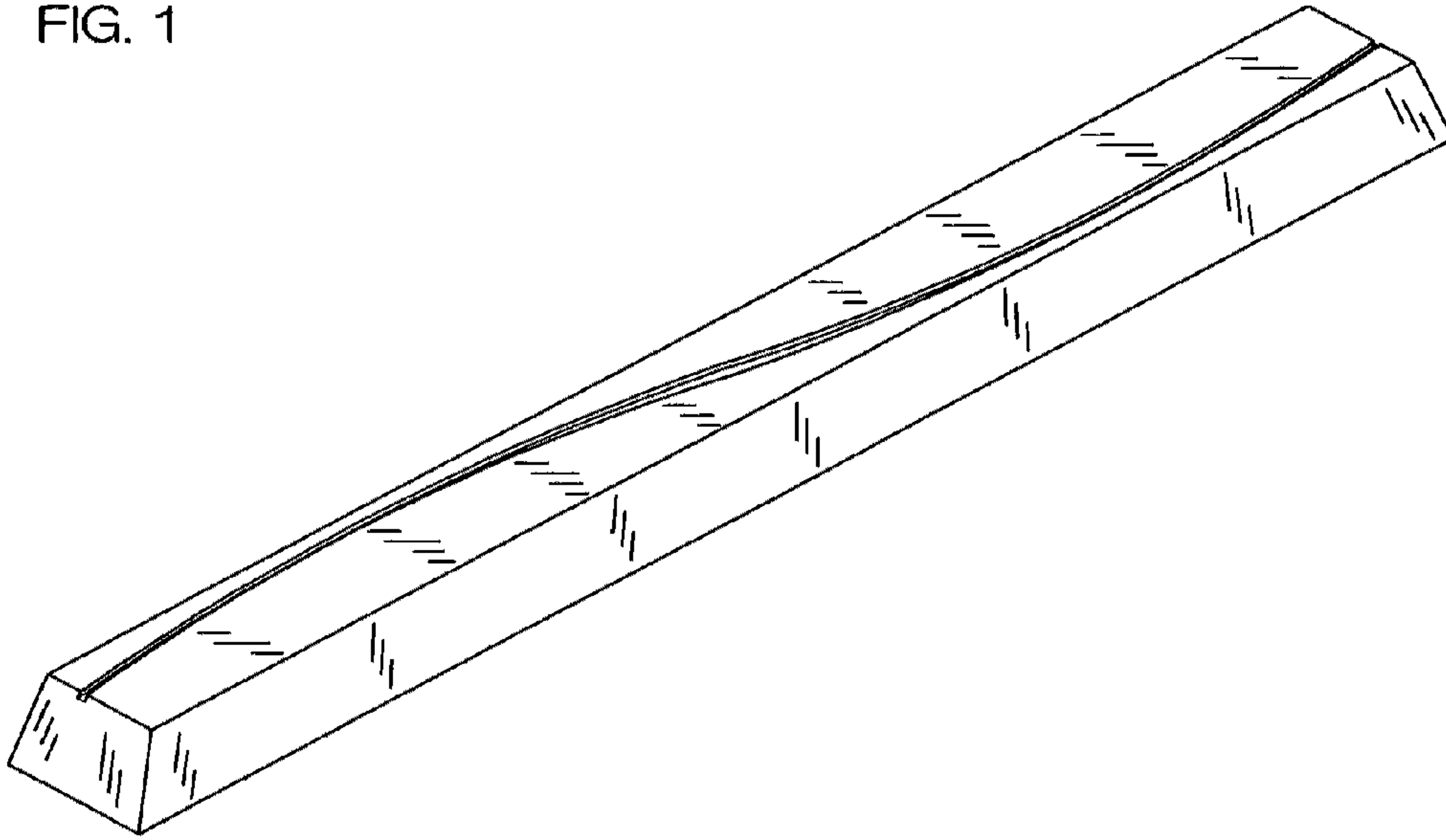


FIG. 2

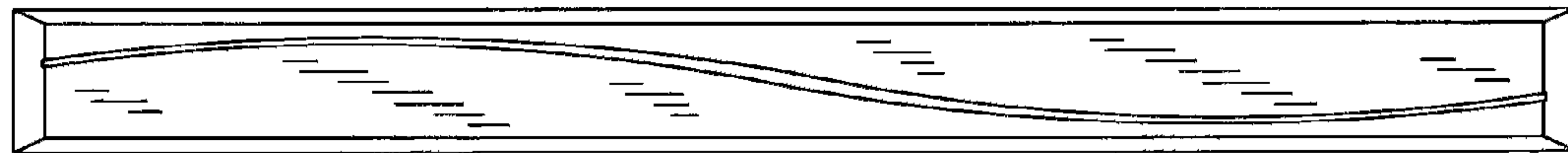


FIG. 3

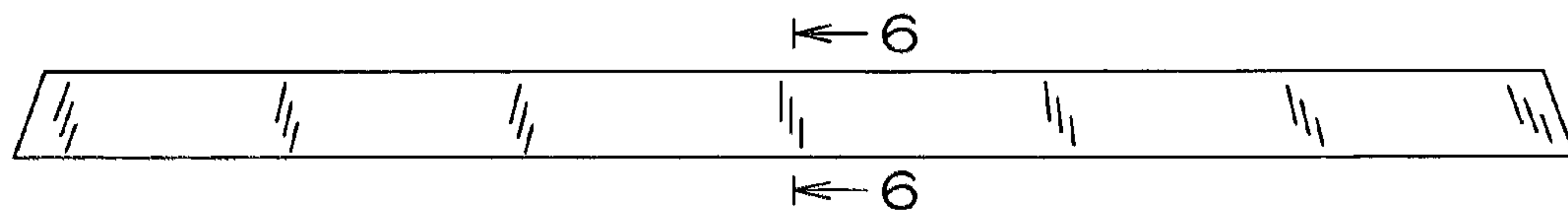


FIG. 4

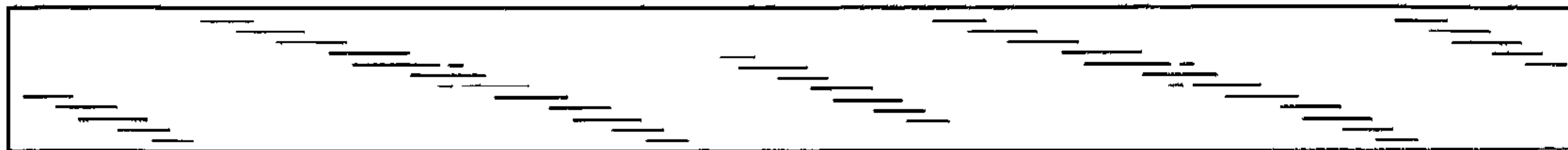


FIG. 5



FIG. 6



FIG. 7

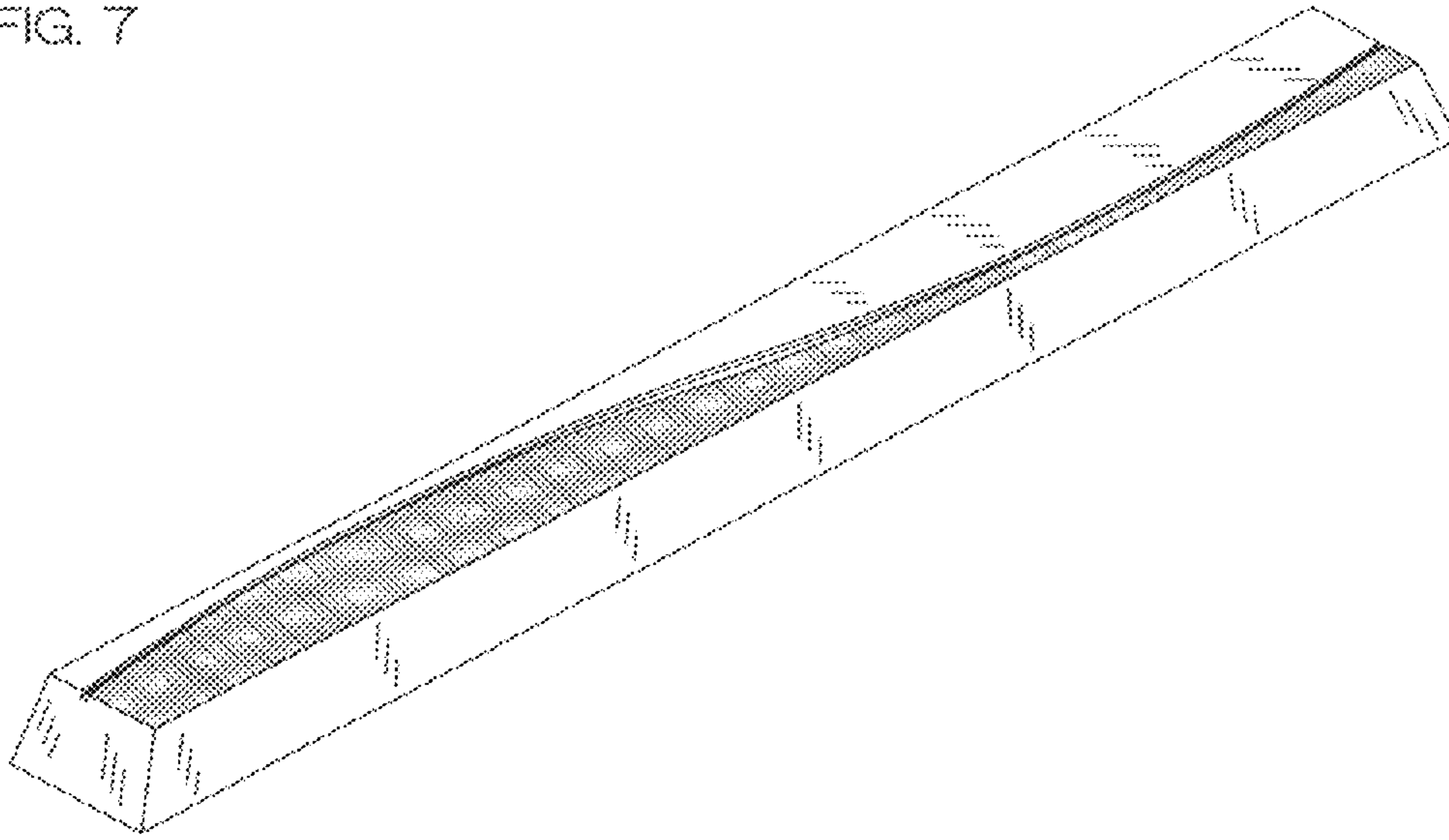


FIG. 8

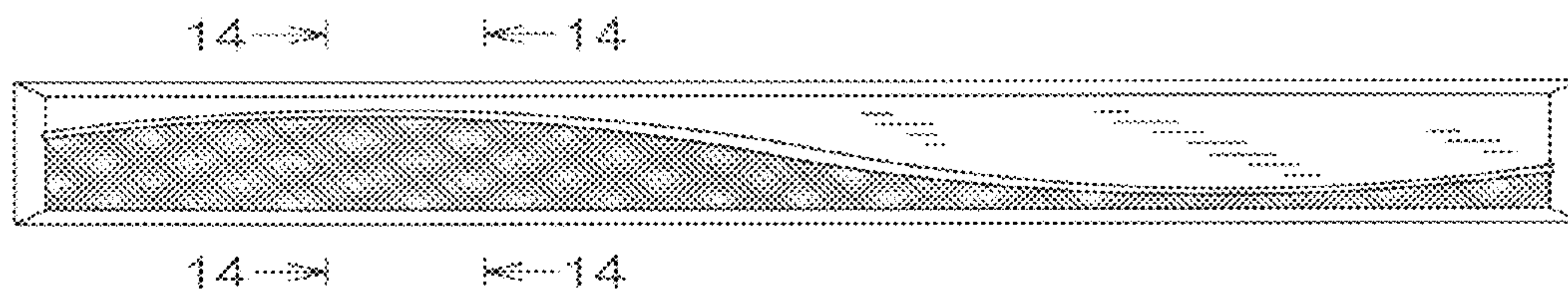


FIG. 9

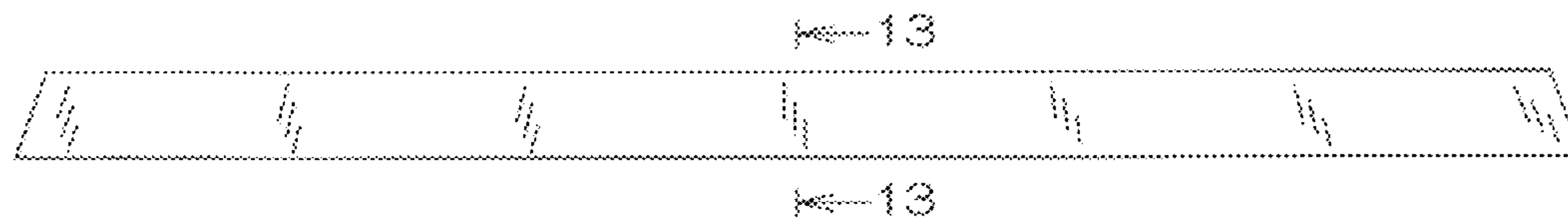


FIG. 10



FIG. 11



FIG. 12



FIG. 13

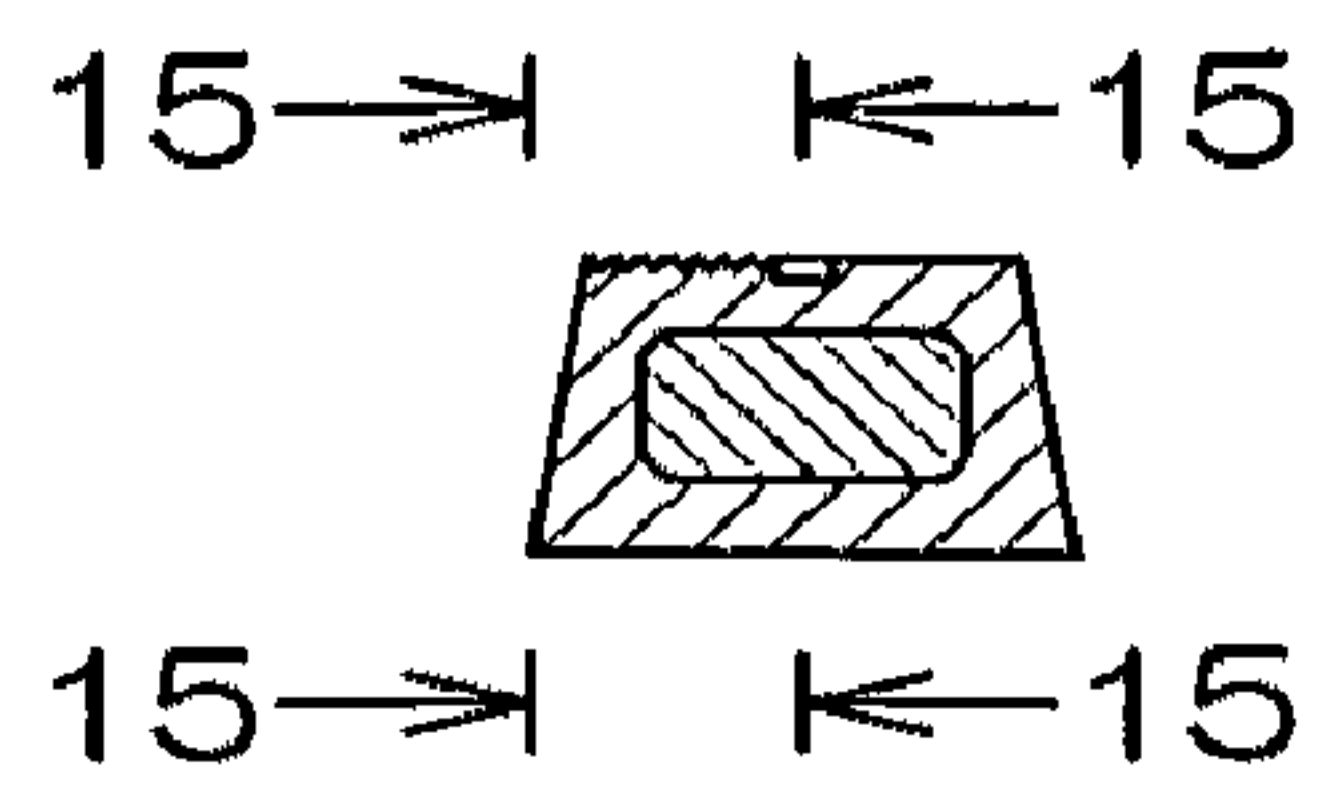


FIG. 14

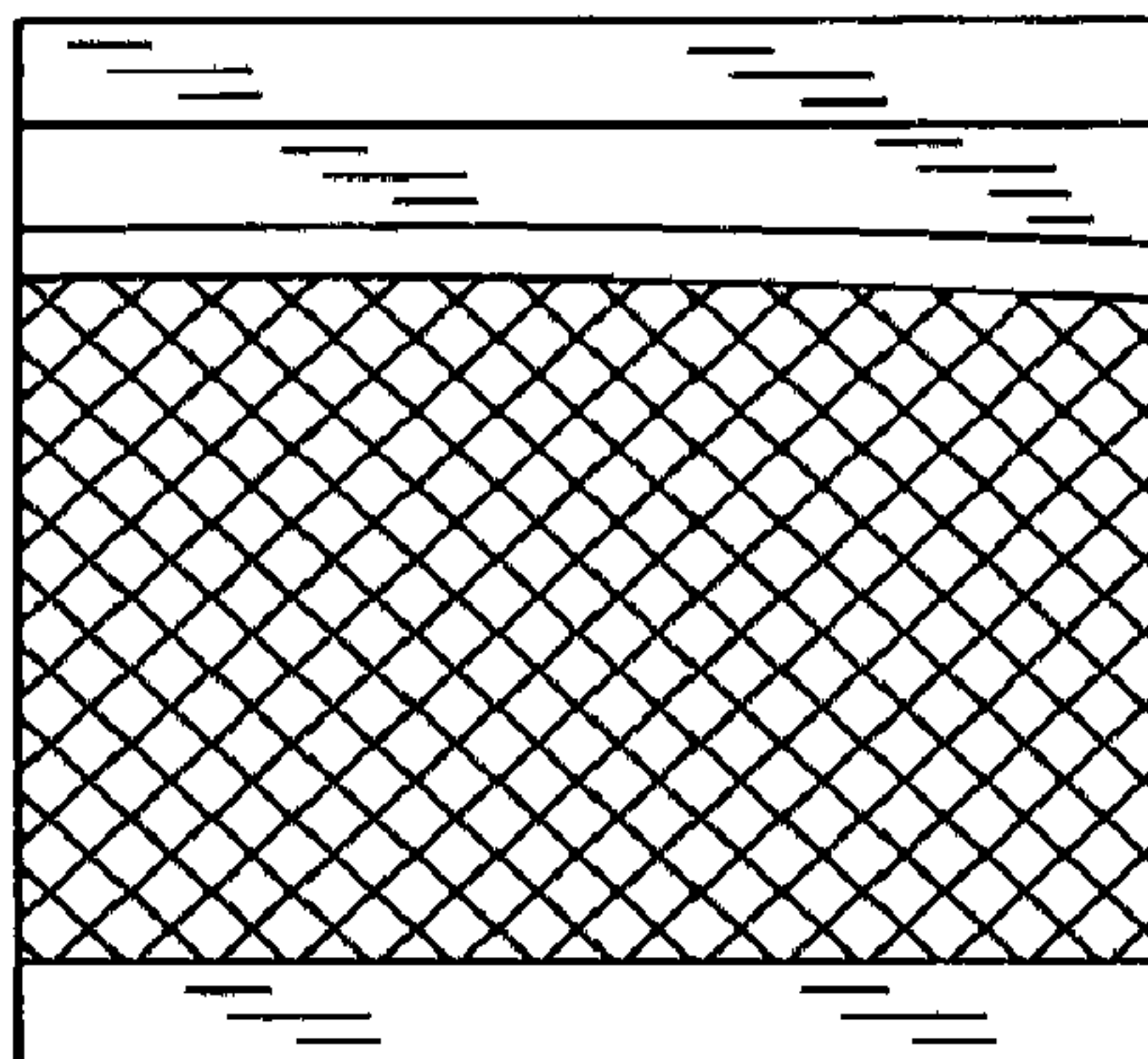


FIG. 15

