



US00D661861S

(12) **United States Design Patent**
Ryan et al.

(10) **Patent No.:** **US D661,861 S**
(45) **Date of Patent:** **** Jun. 12, 2012**

(54) **PUSHING MECHANISM**

FOREIGN PATENT DOCUMENTS

(75) Inventors: **Paul Ryan**, Wichita, KS (US); **Robert A. Wood**, Lincoln, NE (US)

CH 000624626 A * 8/1981

* cited by examiner

(73) Assignee: **DG Manufacturing, LLC**, Wichita, KS (US)

Primary Examiner — Cynthia Ramirez

(74) *Attorney, Agent, or Firm* — Brient Intellectual Property Law, LLC

(**) Term: **14 Years**

(21) Appl. No.: **29/400,606**

(57) **CLAIM**

The ornamental design for a pushing mechanism, as shown and described.

(22) Filed: **Aug. 30, 2011**

(51) **LOC (9) Cl.** **12-02**

(52) **U.S. Cl.** **D34/27**

(58) **Field of Classification Search** D34/12-27;
280/47.19, 47.27, 47.28, 42, 79.11; 414/490,
414/446

See application file for complete search history.

DESCRIPTION

FIG. 1 is a perspective view of a pushing mechanism according to an embodiment of the present design with a spring and various fastening components shown in broken lines.

FIG. 2 is a front elevation view of the pushing mechanism of FIG. 1.

FIG. 3 is a rear elevation view of the pushing mechanism of FIG. 1.

FIG. 4 is a right side elevation view of the pushing mechanism of FIG. 1.

FIG. 5 is a left side elevation view of the pushing mechanism of FIG. 1.

FIG. 6 is a top plan view of the pushing mechanism of FIG. 1; and,

FIG. 7 is a bottom plan view of the pushing mechanism of FIG. 1.

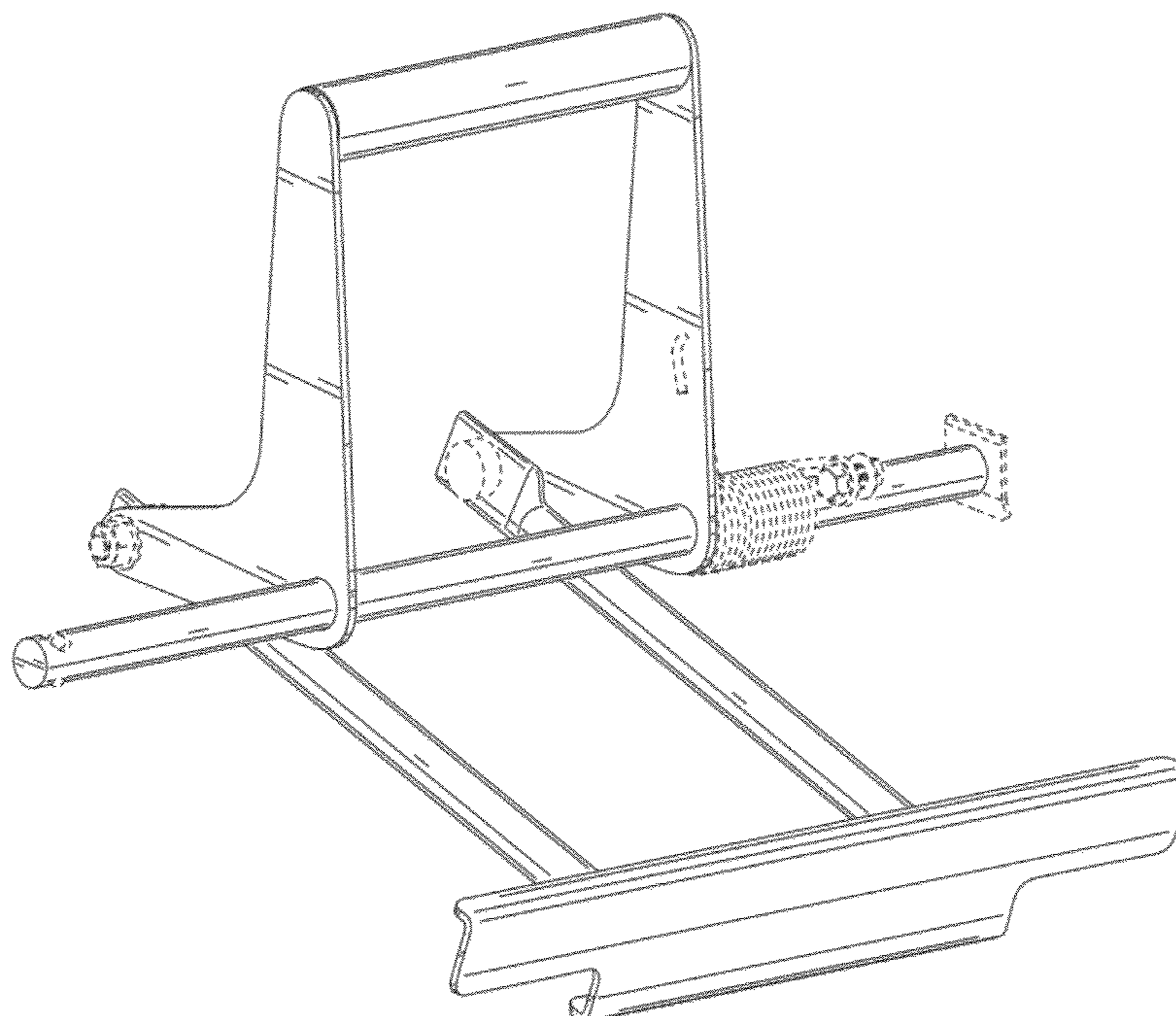
The broken lines shown in FIGS. 1 through 7 illustrate portions of the pushing mechanism that form no part of the claimed design.

(56) **References Cited**

U.S. PATENT DOCUMENTS

2,476,202	A *	7/1949	Lozon, Sr.	414/490
2,649,219	A *	8/1953	Nielsen	414/490
2,838,193	A *	6/1958	Statton	414/490
2,953,267	A *	9/1960	Gorman	414/490
3,844,431	A *	10/1974	Crawford	414/490
5,971,693	A *	10/1999	Story et al.	414/490
D417,764	S *	12/1999	Barringer	D34/35
D440,372	S *	4/2001	Williams	D34/27
6,425,724	B1 *	7/2002	Williamson	414/490
6,457,727	B1 *	10/2002	Tolly	280/47.28
6,719,521	B1 *	4/2004	Van Boxtel	414/490
7,168,712	B2 *	1/2007	Celli	280/47.18
D537,228	S *	2/2007	DeMichele	D34/35
7,717,662	B2 *	5/2010	Alexander	414/546
D647,274	S *	10/2011	Sharp	D34/35
2001/0038786	A1 *	11/2001	Kim	414/490

1 Claim, 7 Drawing Sheets



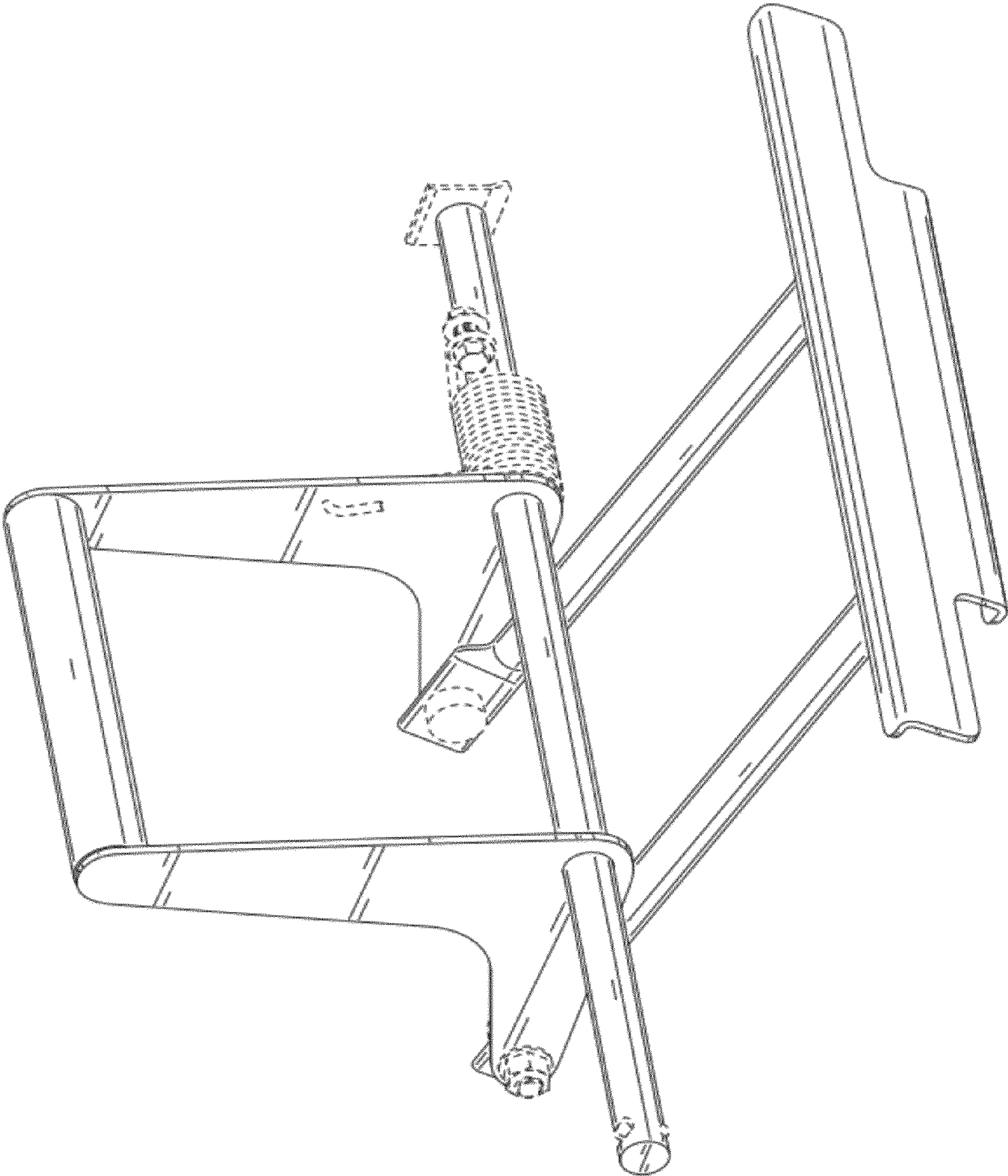


FIG. 1

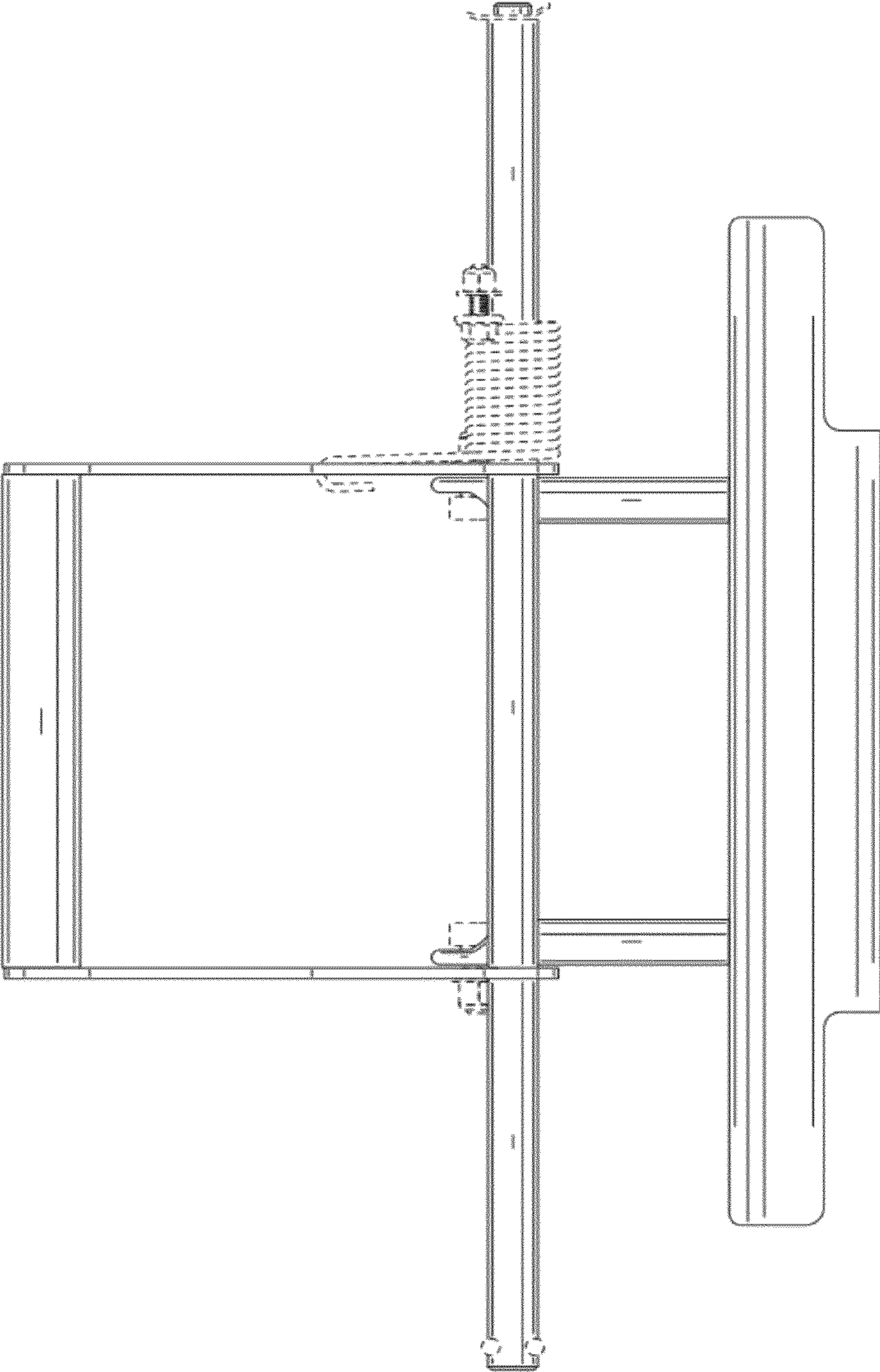


FIG. 2

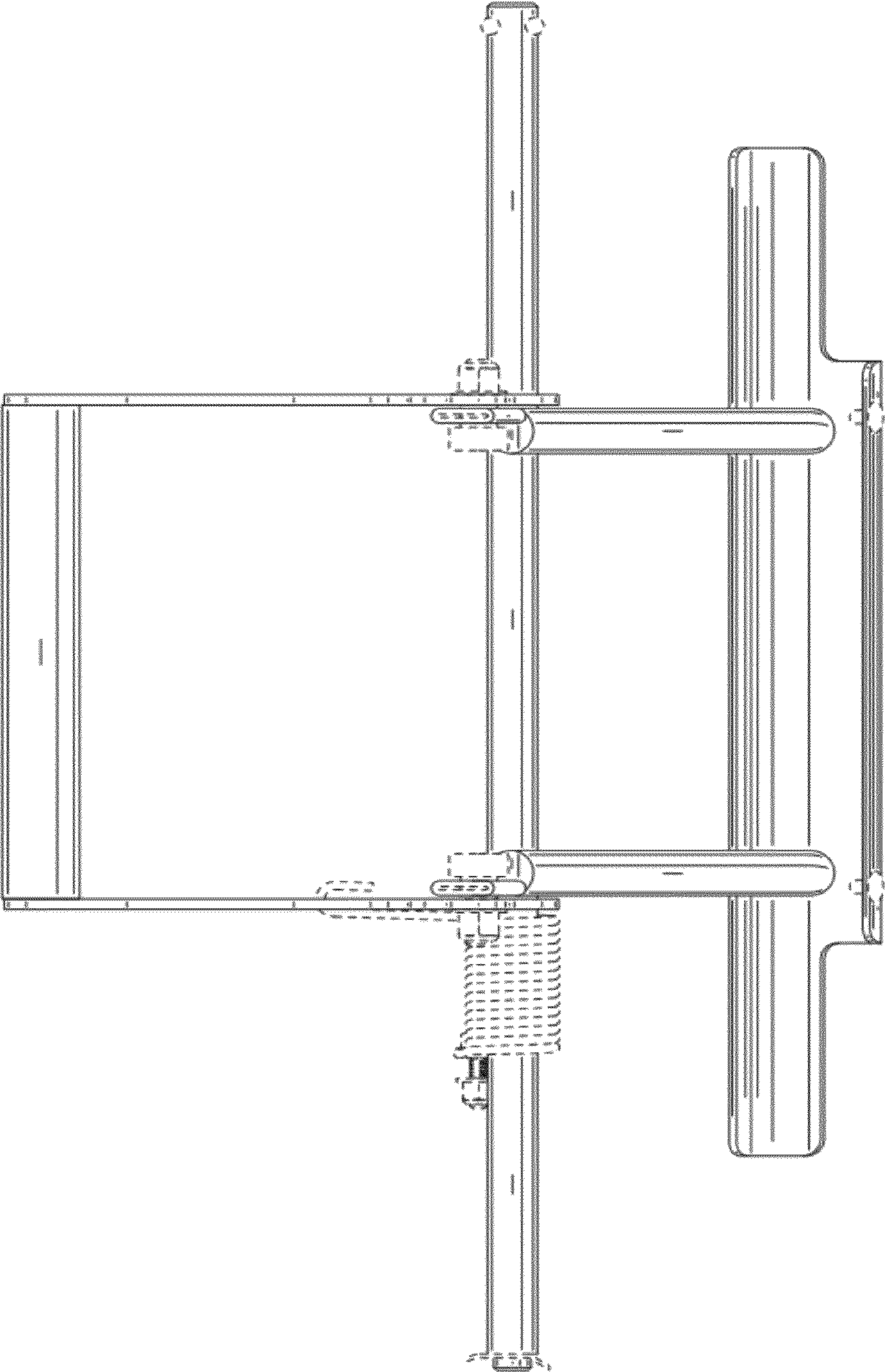


FIG. 3

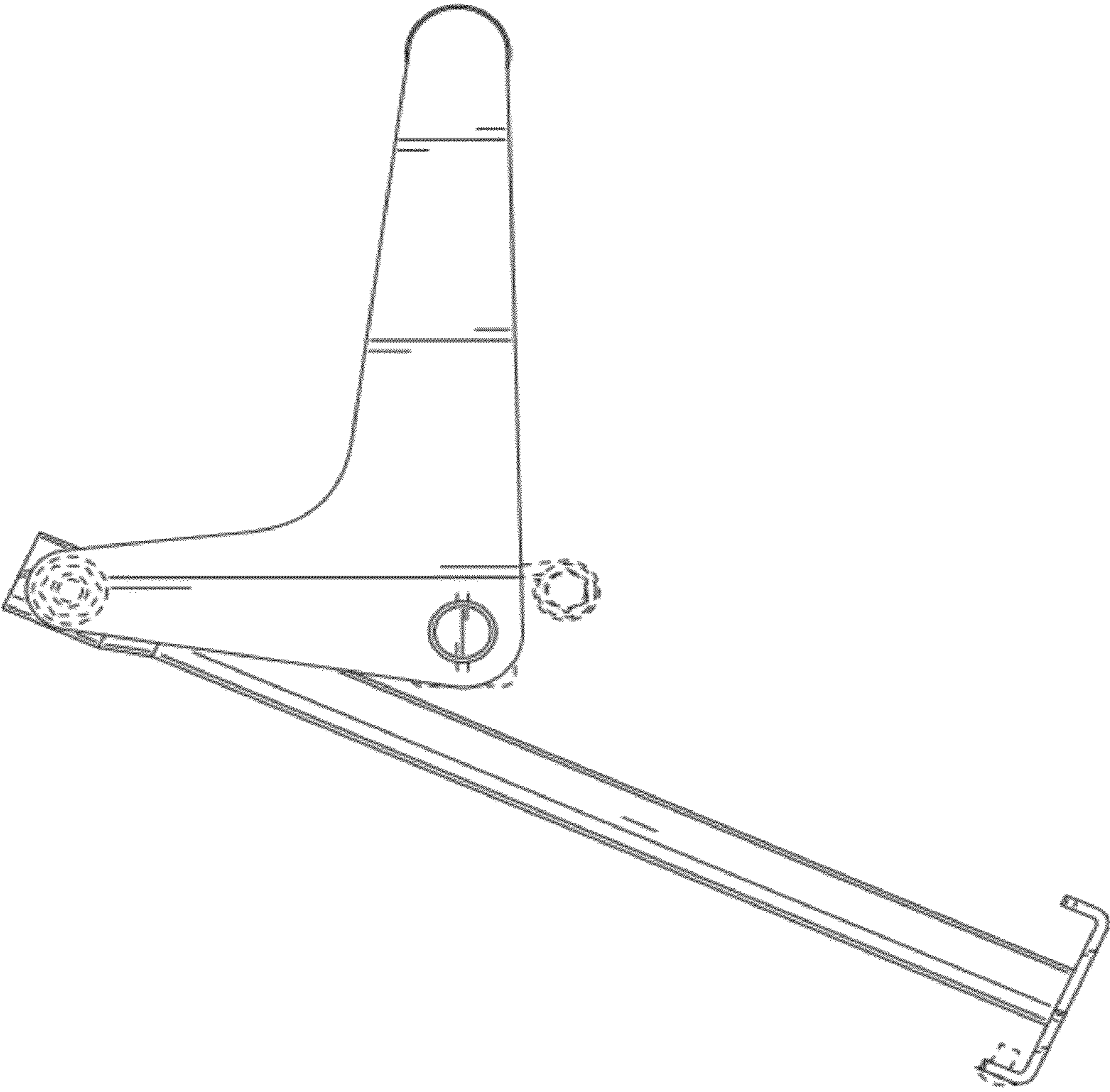


FIG. 4

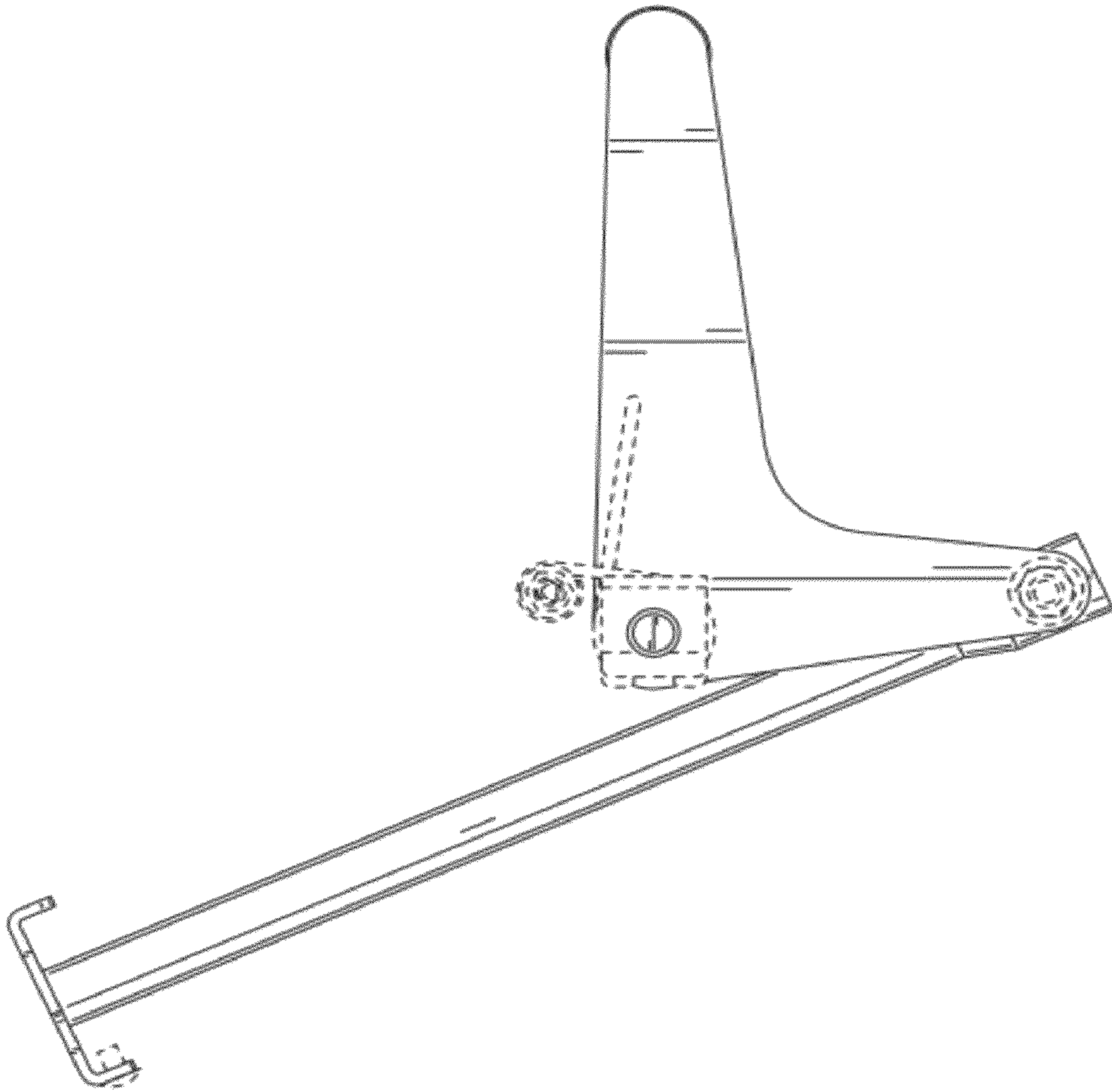


FIG. 5

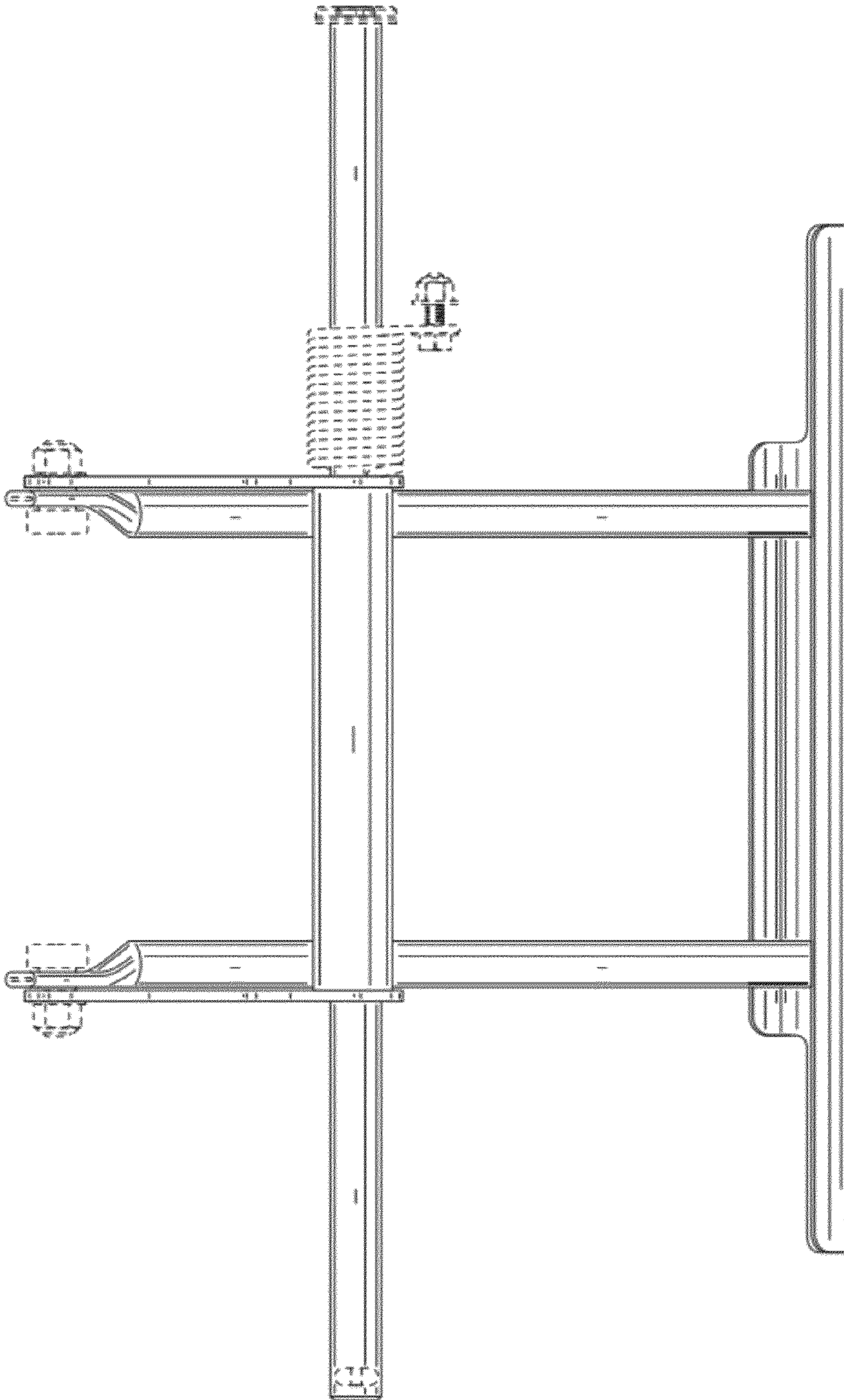


FIG. 6

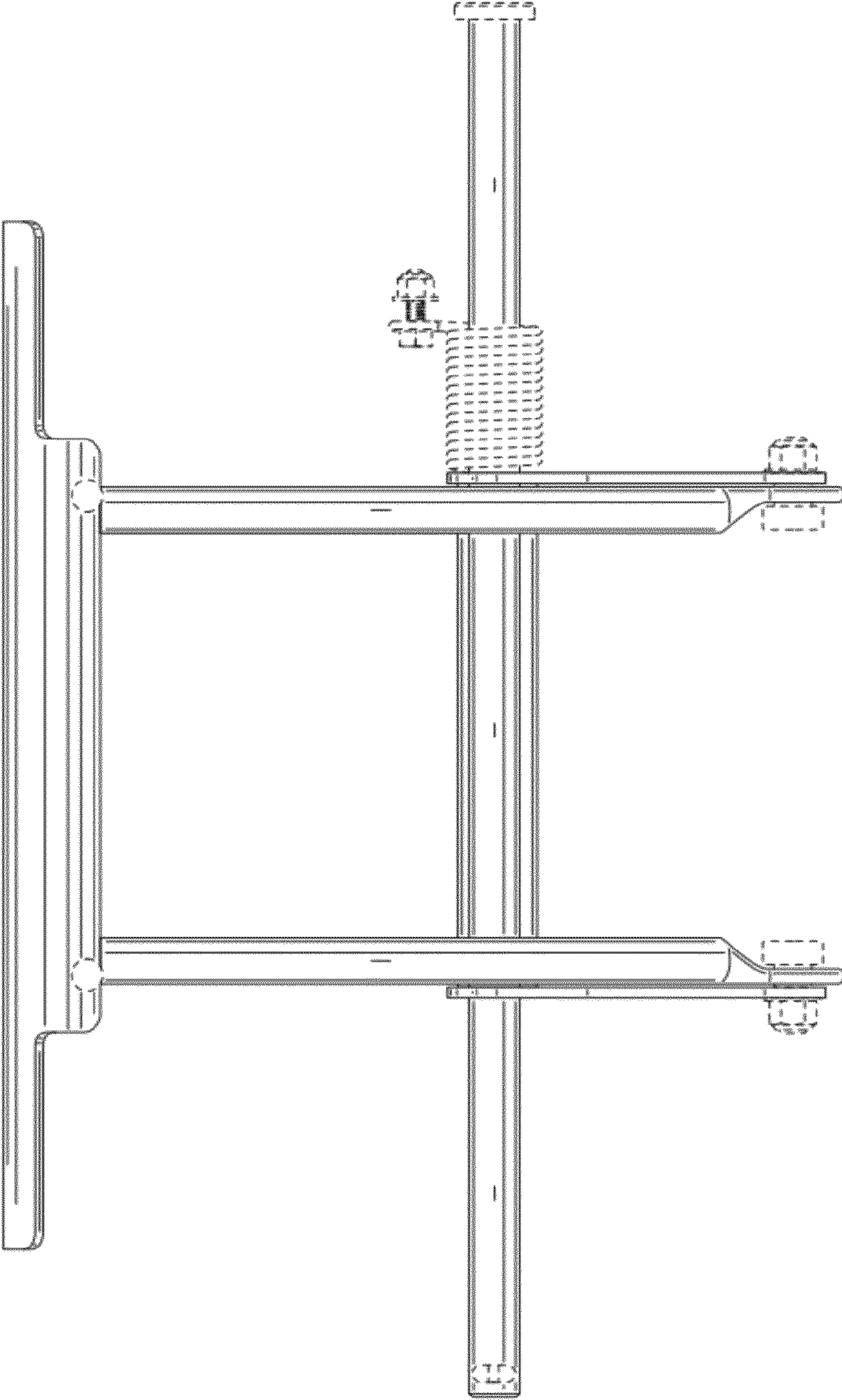


FIG. 7