



US00D661860S

(12) **United States Design Patent**
Ryan et al.

(10) **Patent No.:** **US D661,860 S**
(45) **Date of Patent:** **** Jun. 12, 2012**

(54) **HAND TRUCK**

(75) Inventors: **Paul Ryan**, Wichita, KS (US); **Robert A. Wood**, Lincoln, NE (US)

(73) Assignee: **DG Manufacturing, LLC**, Wichita, KS (US)

(**) Term: **14 Years**

(21) Appl. No.: **29/404,678**

(22) Filed: **Oct. 24, 2011**

(51) **LOC (9) Cl.** **12-02**

(52) **U.S. Cl.** **D34/26**

(58) **Field of Classification Search** D34/12-27;
280/47.18, 47.19, 47.2, 47.27, 47.28, 79.1,
280/79.2, 79.3, 47.26

See application file for complete search history.

(56) **References Cited**

U.S. PATENT DOCUMENTS

D336,710 S *	6/1993	Kinnaman	D34/26
D644,396 S *	8/2011	Dechant et al.	D34/26
D644,397 S *	8/2011	Wood et al.	D34/26
D644,400 S *	8/2011	Wood et al.	D34/26
D644,401 S *	8/2011	Dechant et al.	D34/26
D654,241 S *	2/2012	Vilkomirski et al.	D34/26
2005/0087943 A1 *	4/2005	Babkes et al.	280/30

* cited by examiner

Primary Examiner — Cynthia Ramirez

(74) *Attorney, Agent, or Firm* — Brient Intellectual Property Law, LLC

(57) **CLAIM**

The ornamental design for a hand truck, as shown and described.

DESCRIPTION

FIG. 1 is a perspective view of a hand truck according to an embodiment of the present design in a first orientation with a pair of wheels, a pair of castors, a plurality of ribs, and various fasteners shown in broken lines.

FIG. 2 is a front elevation view of the hand truck of FIG. 1.

FIG. 3 is a rear elevation view of the hand truck of FIG. 1.

FIG. 4 is a right side elevation view of the hand truck of FIG. 1.

FIG. 5 is a left side elevation view of the hand truck of FIG. 1.

FIG. 6 is a top plan view of the hand truck of FIG. 1.

FIG. 7 is a bottom plan view of the hand truck of FIG. 1.

FIG. 8 is a perspective view of the hand truck of FIG. 1 in a second orientation with a pair of wheels, a pair of castors, a plurality of ribs, and various fasteners shown in broken lines.

FIG. 9 is a front elevation view of the hand truck of FIG. 8.

FIG. 10 is a rear elevation view of the hand truck of FIG. 8.

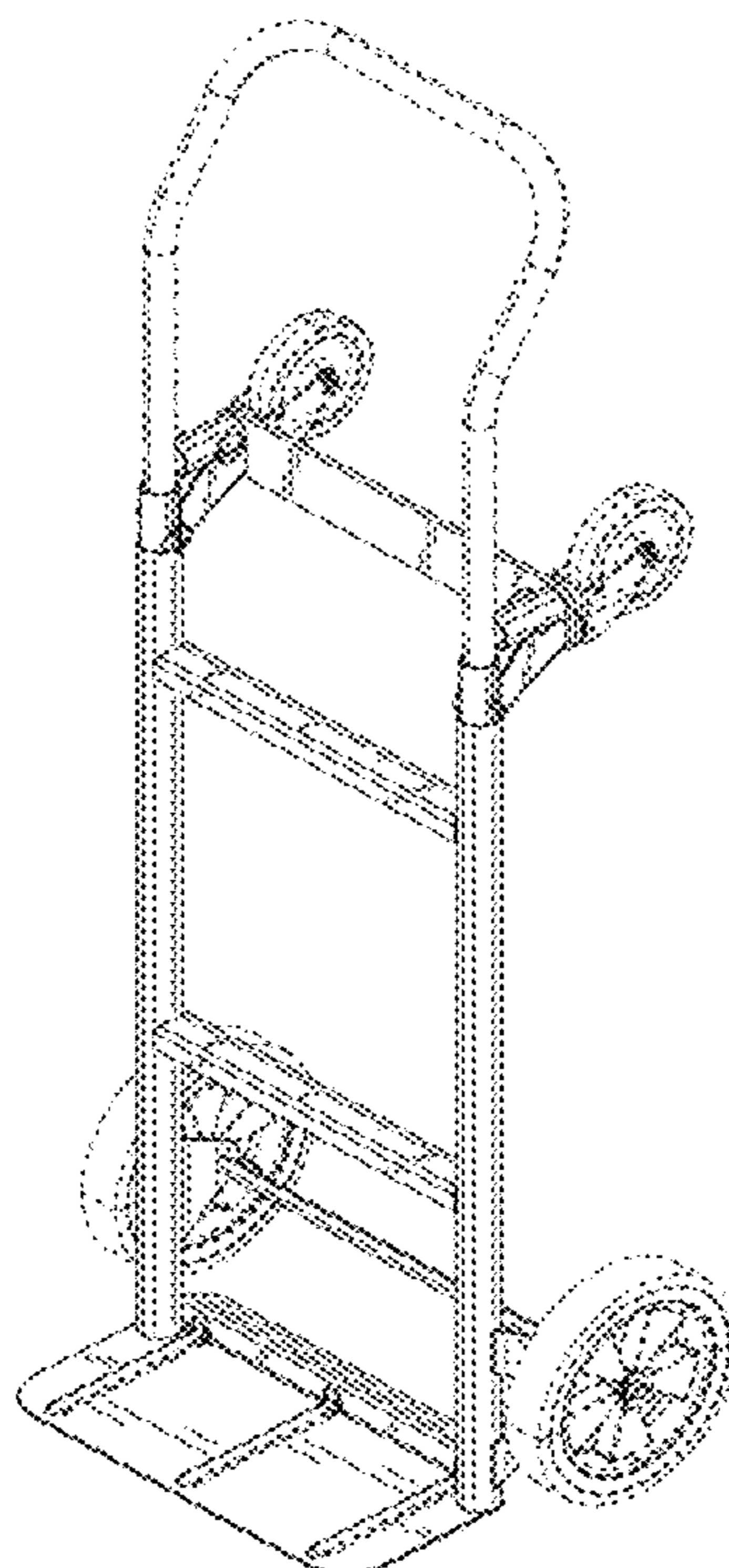
FIG. 11 is a right side elevation view of the hand truck of FIG. 8.

FIG. 12 is a left side elevation view of the hand truck of FIG. 8.

FIG. 13 is a top plan view of the hand truck of FIG. 8; and, FIG. 14 is a bottom plan view of the hand truck of FIG. 8.

The broken lines shown in FIGS. 1 through 14 illustrate portions of the hand truck that form no part of the claimed design.

1 Claim, 14 Drawing Sheets



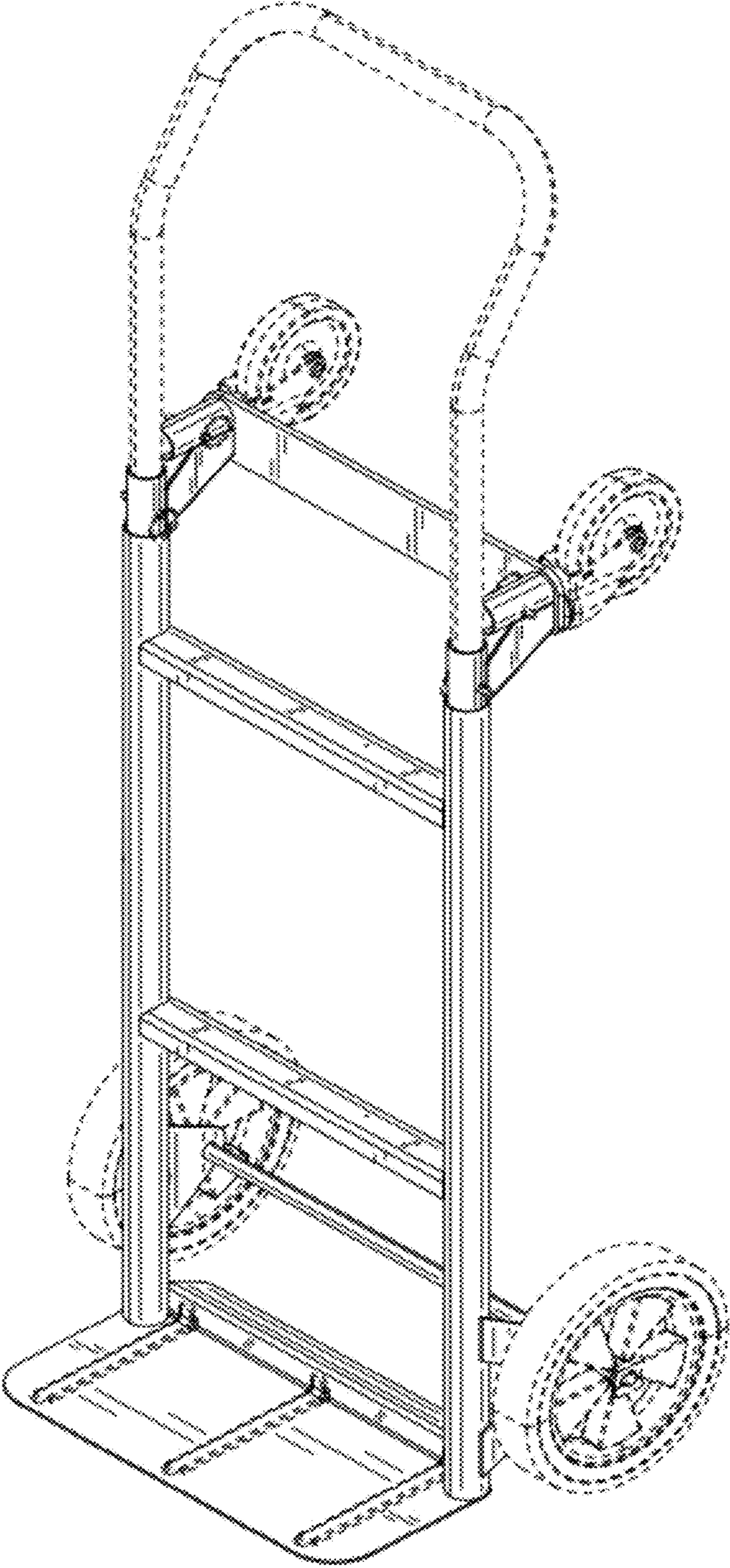


FIG. 1

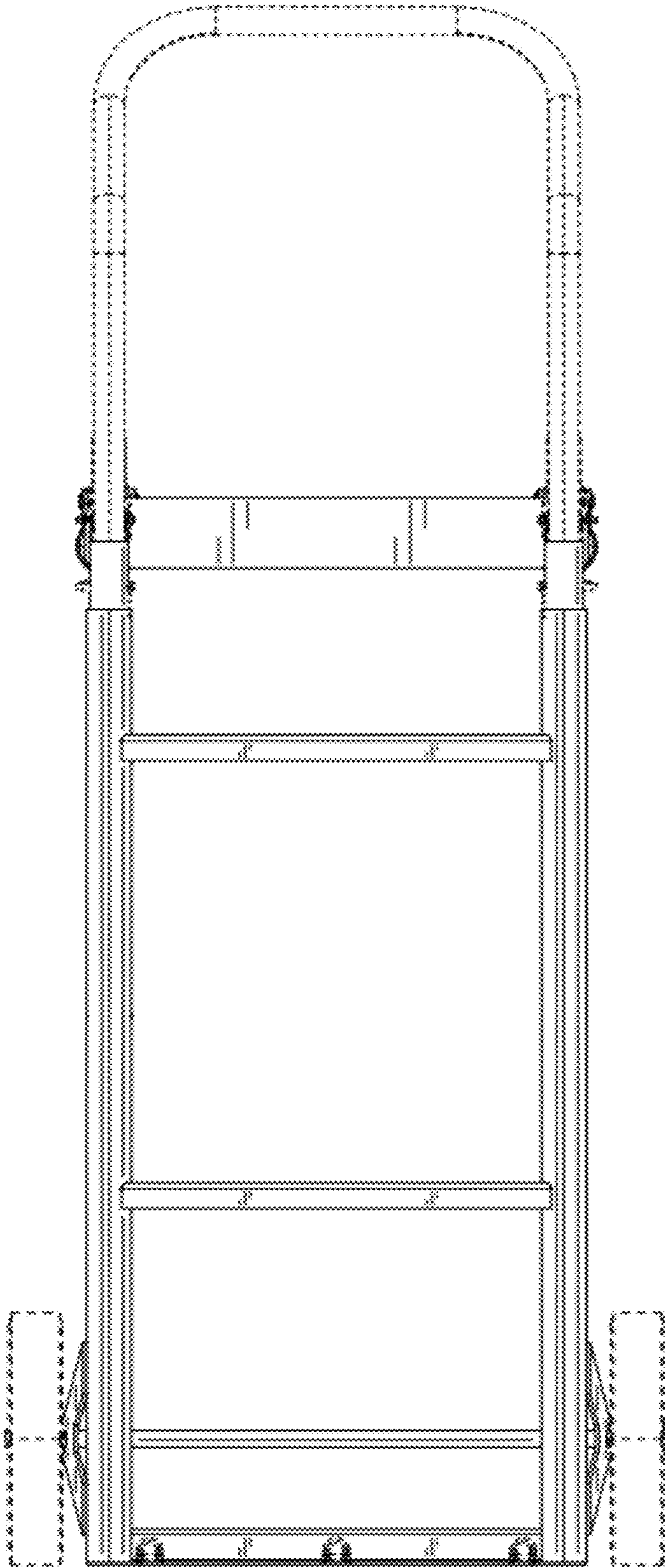


FIG. 2

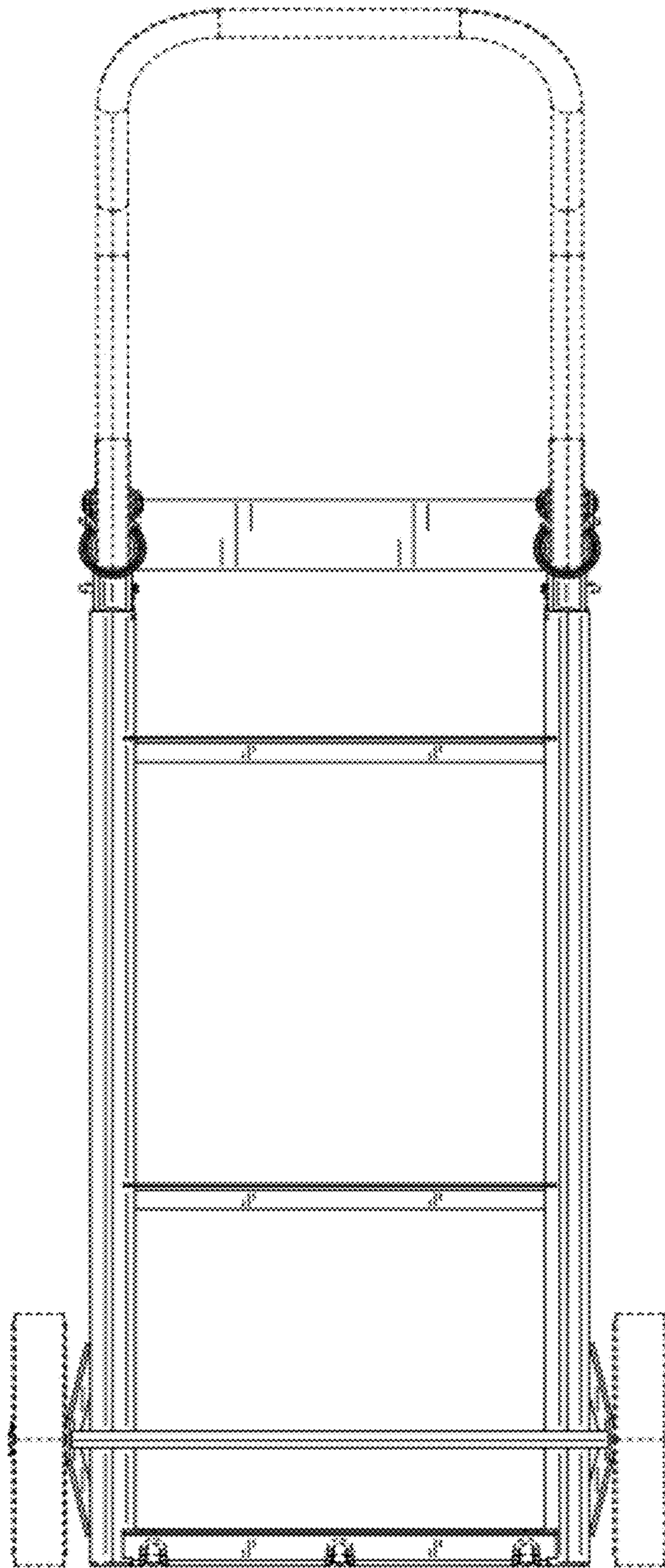


FIG. 3

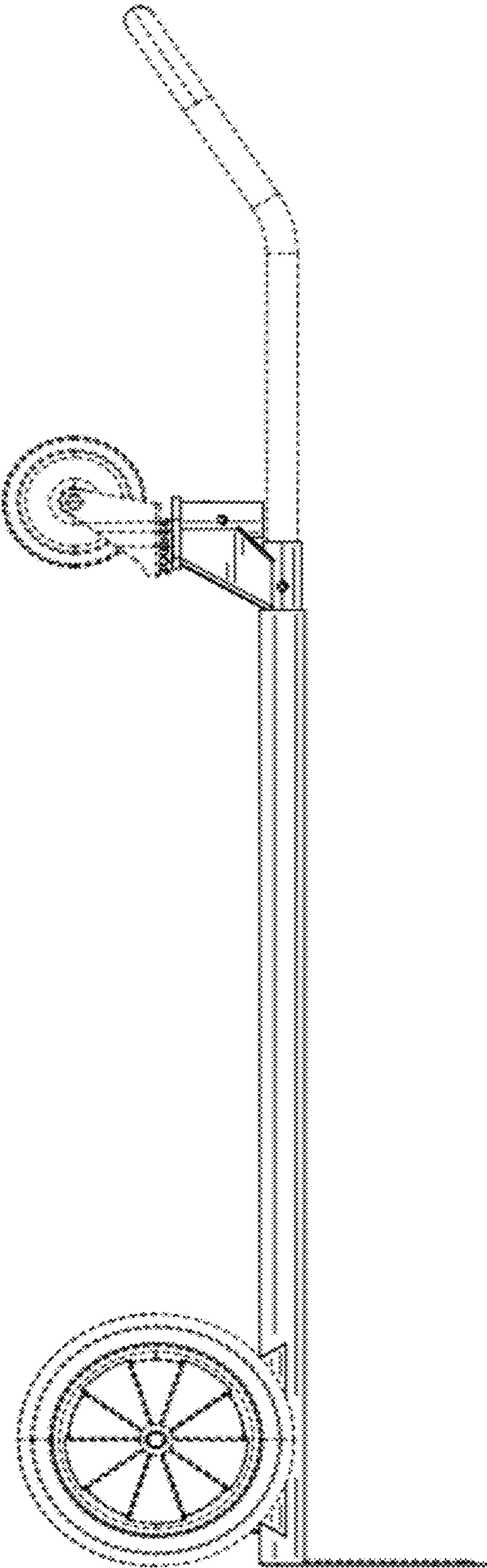


FIG. 4

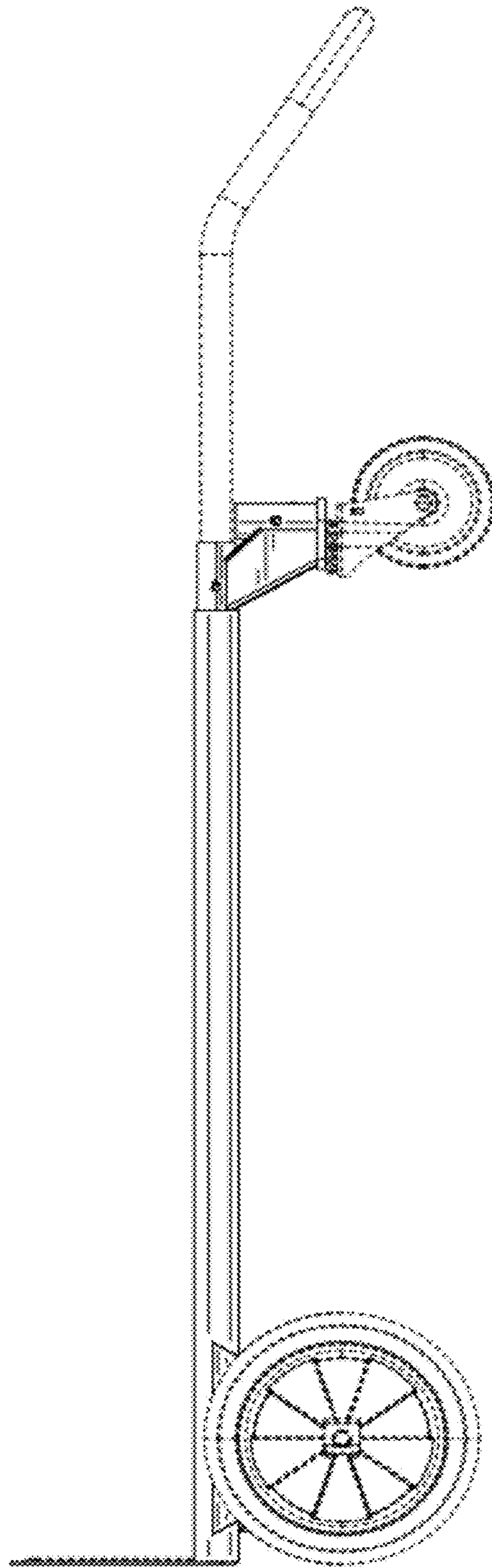


FIG. 5

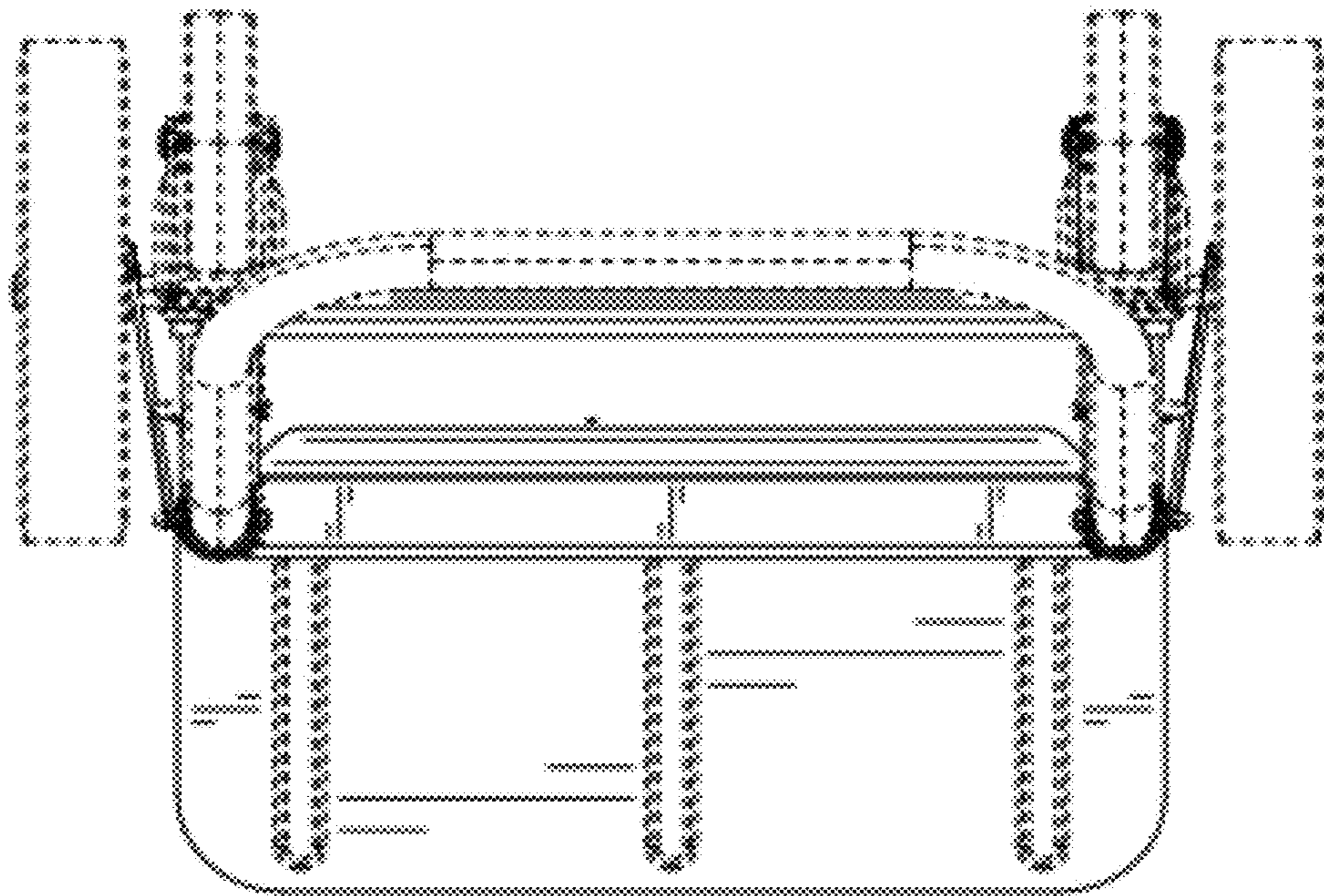


FIG. 6

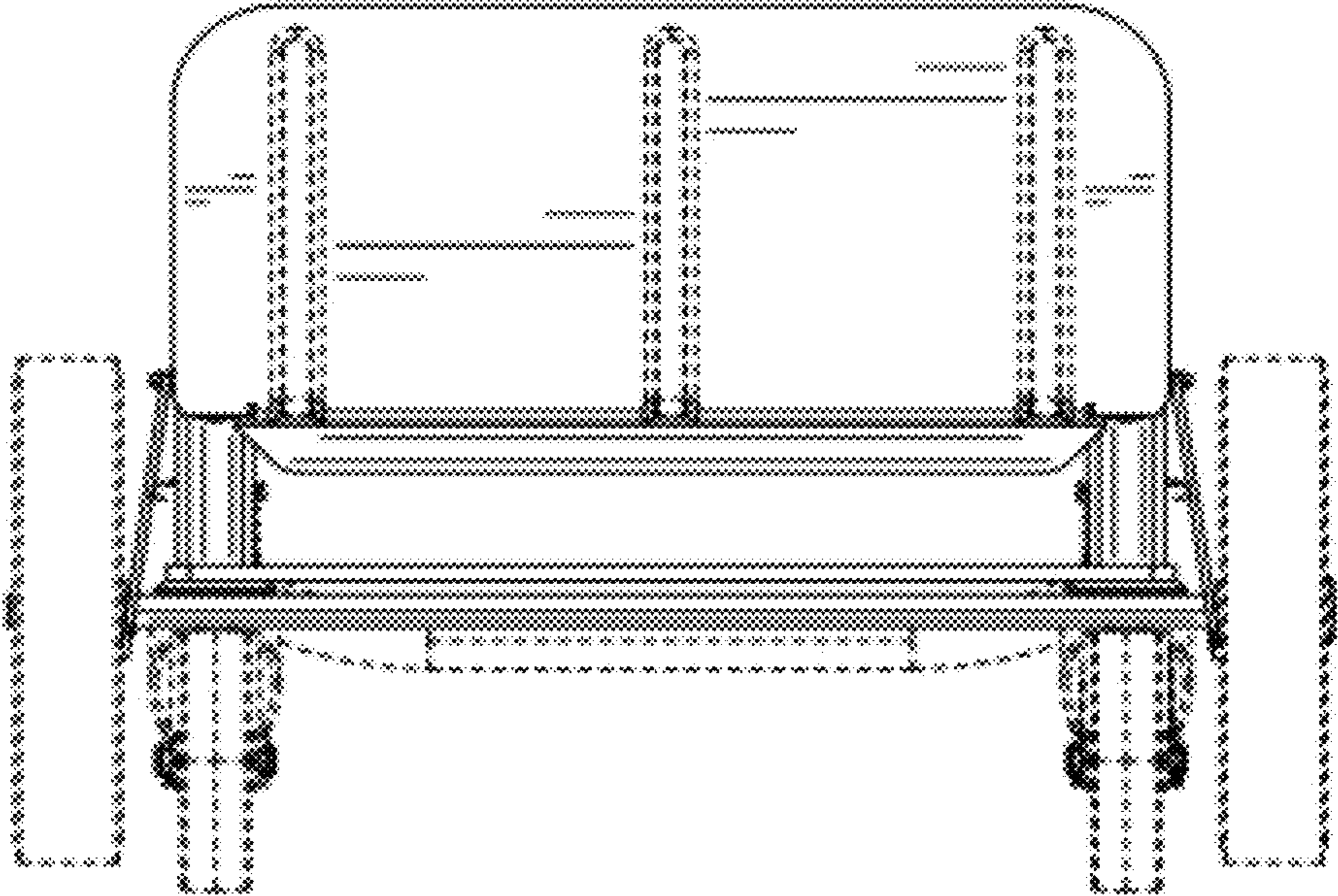


FIG. 7

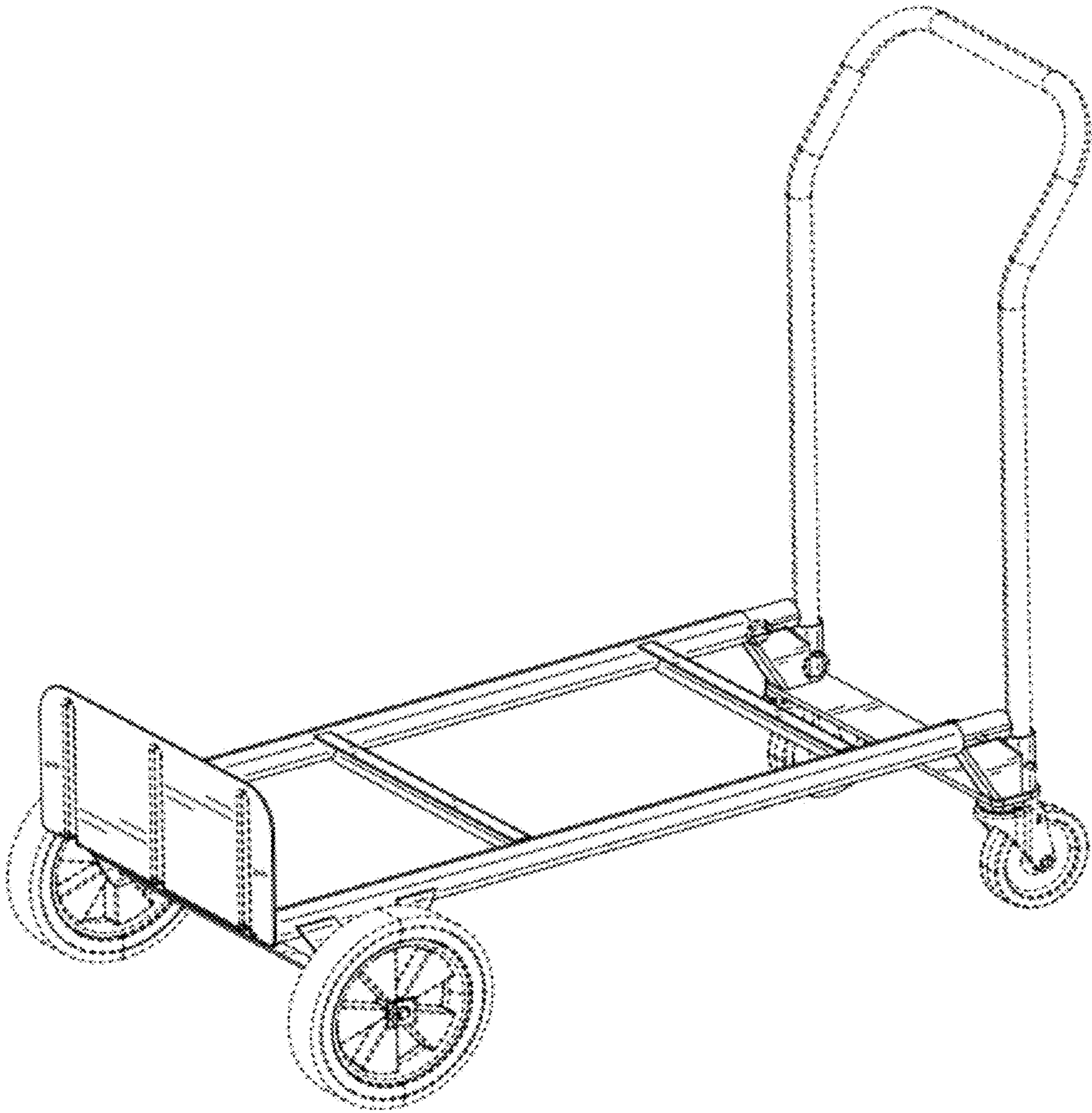


FIG. 8

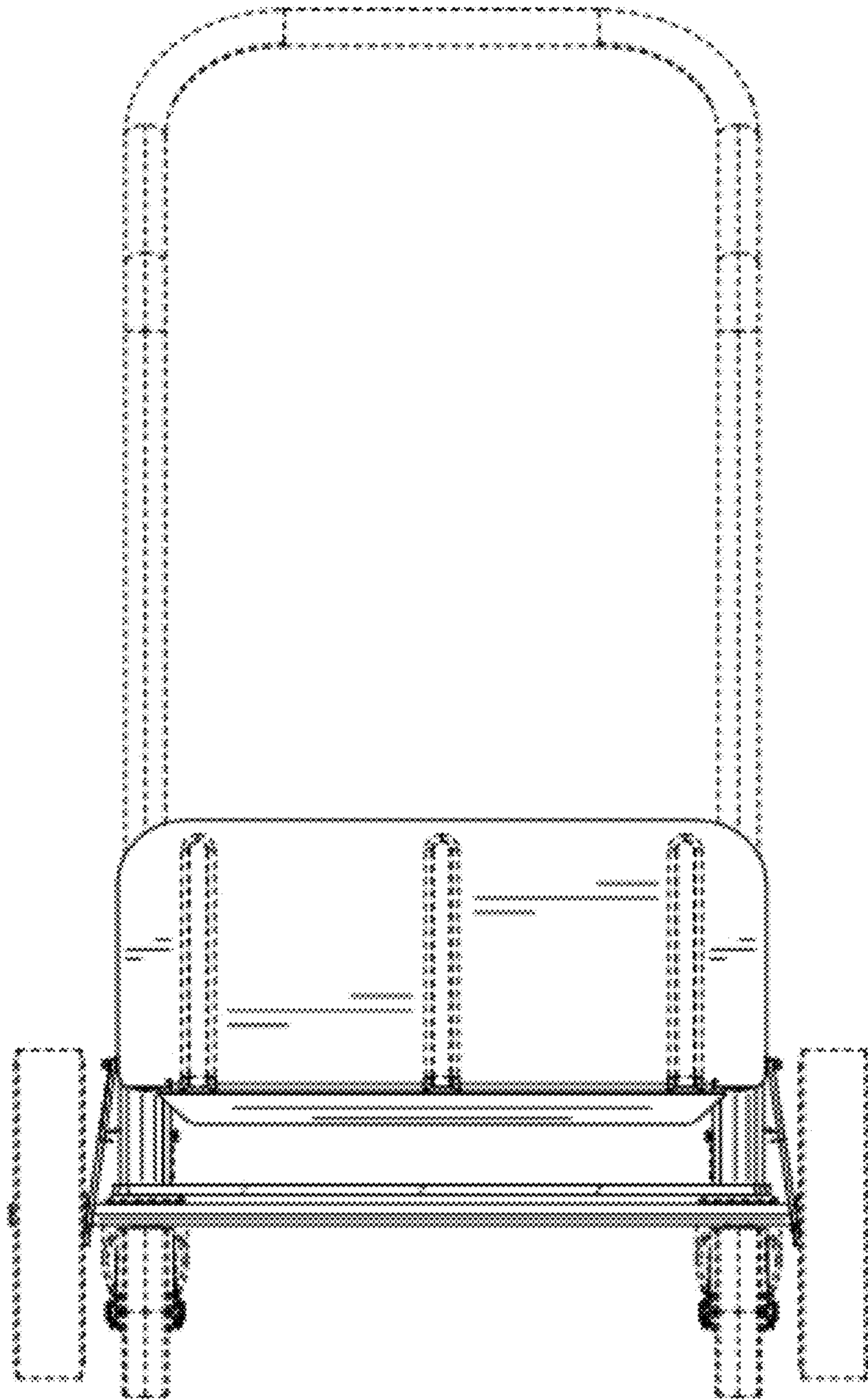


FIG. 9

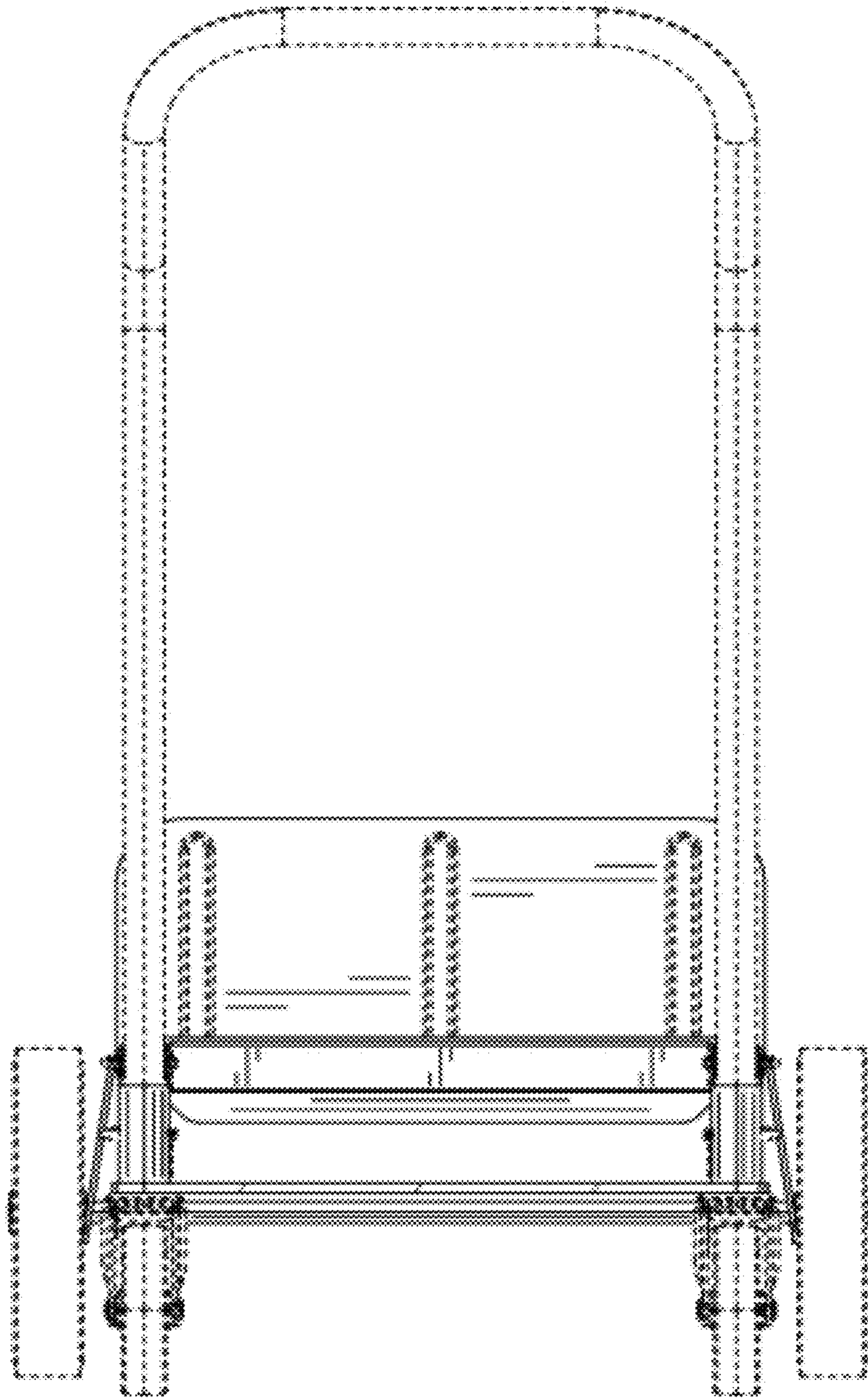


FIG. 10

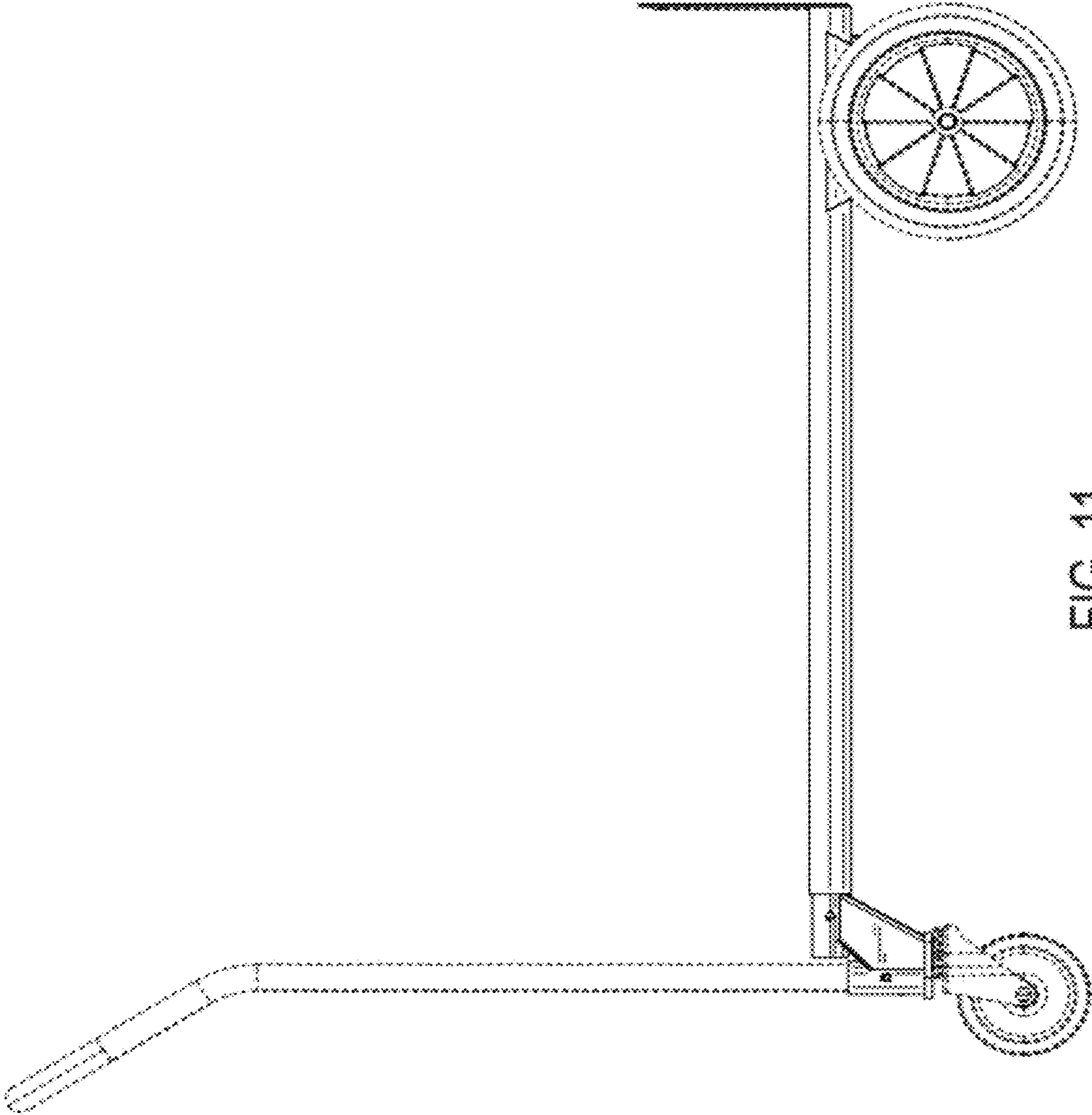


FIG. 11

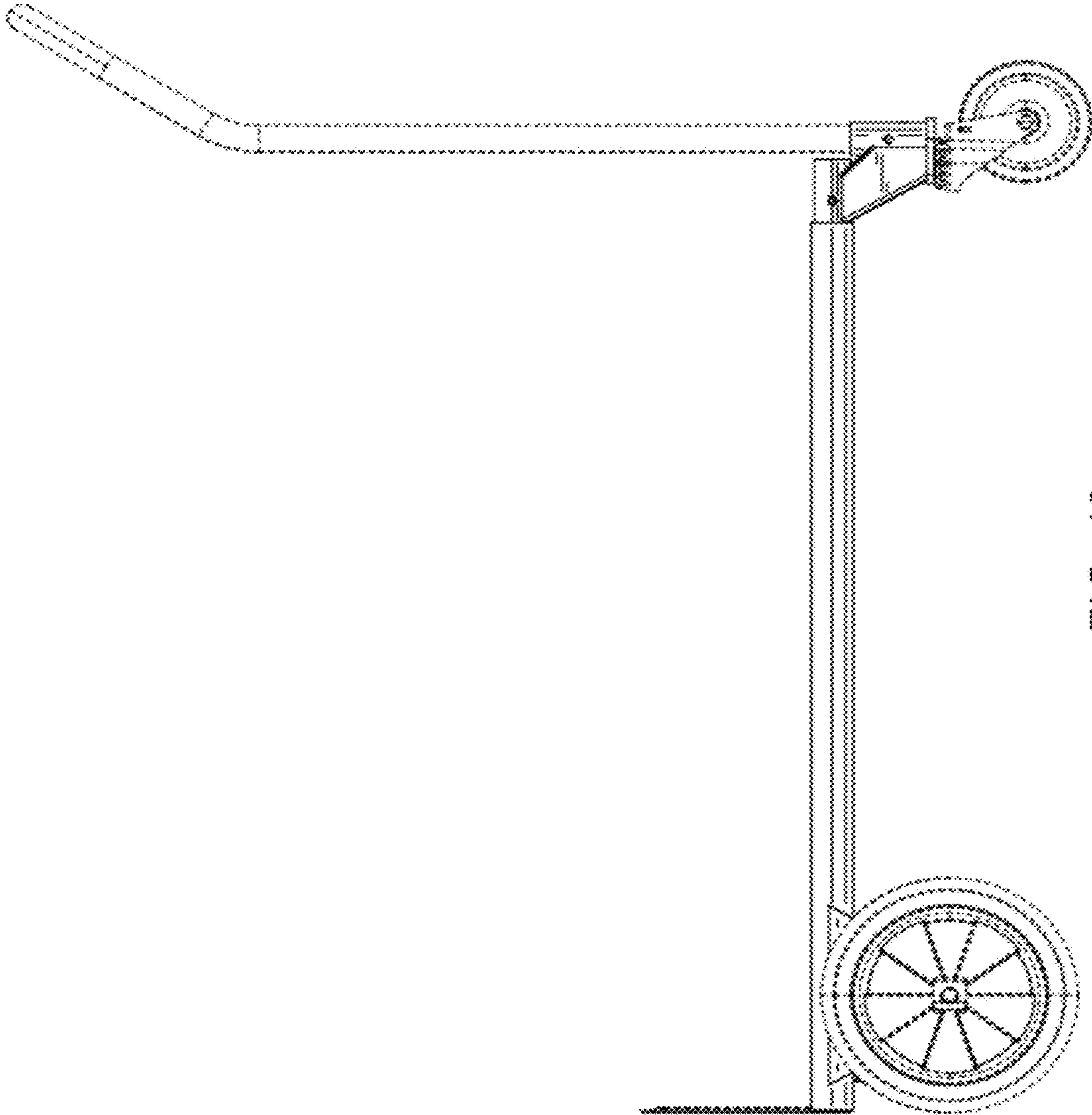


FIG. 12

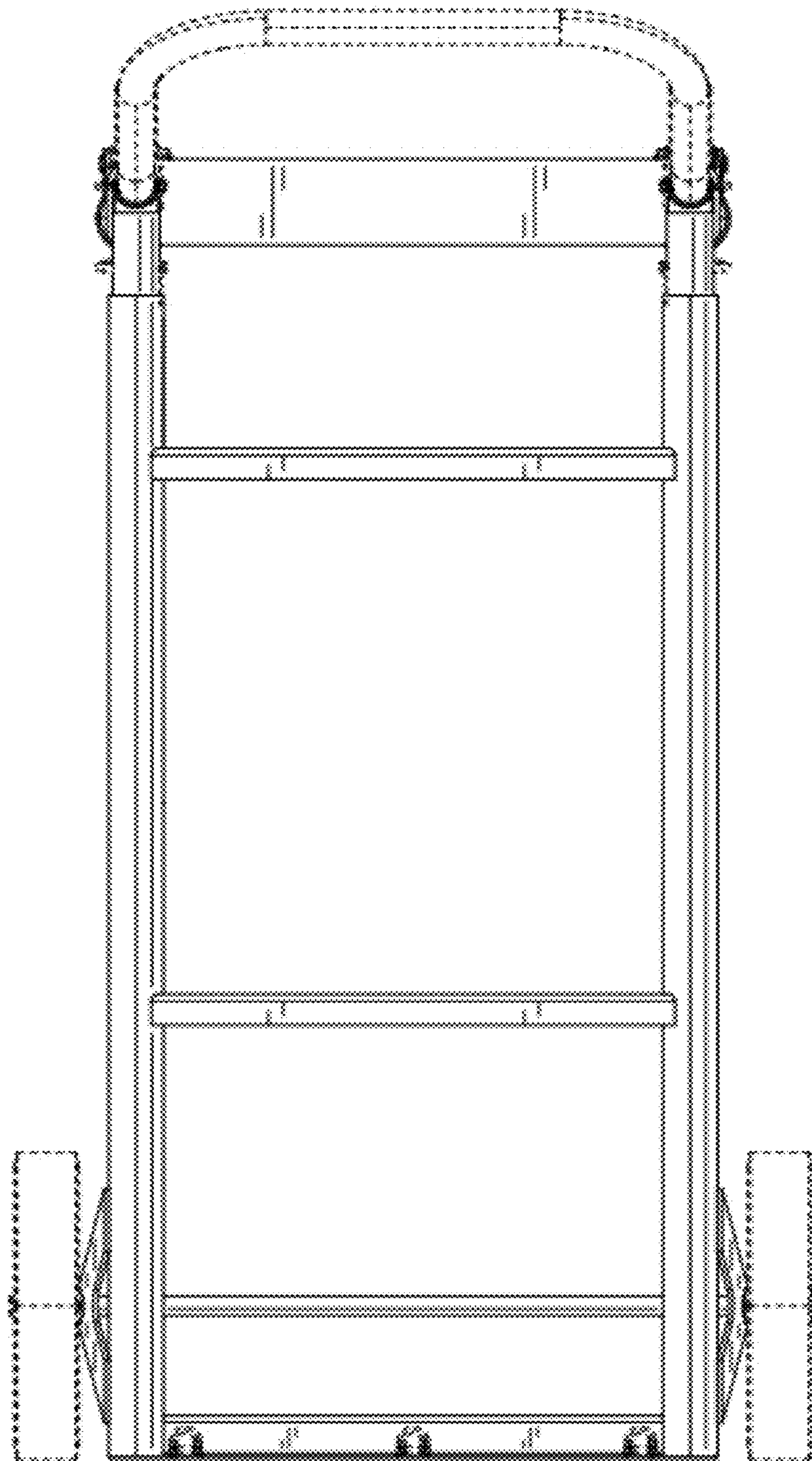


FIG. 13

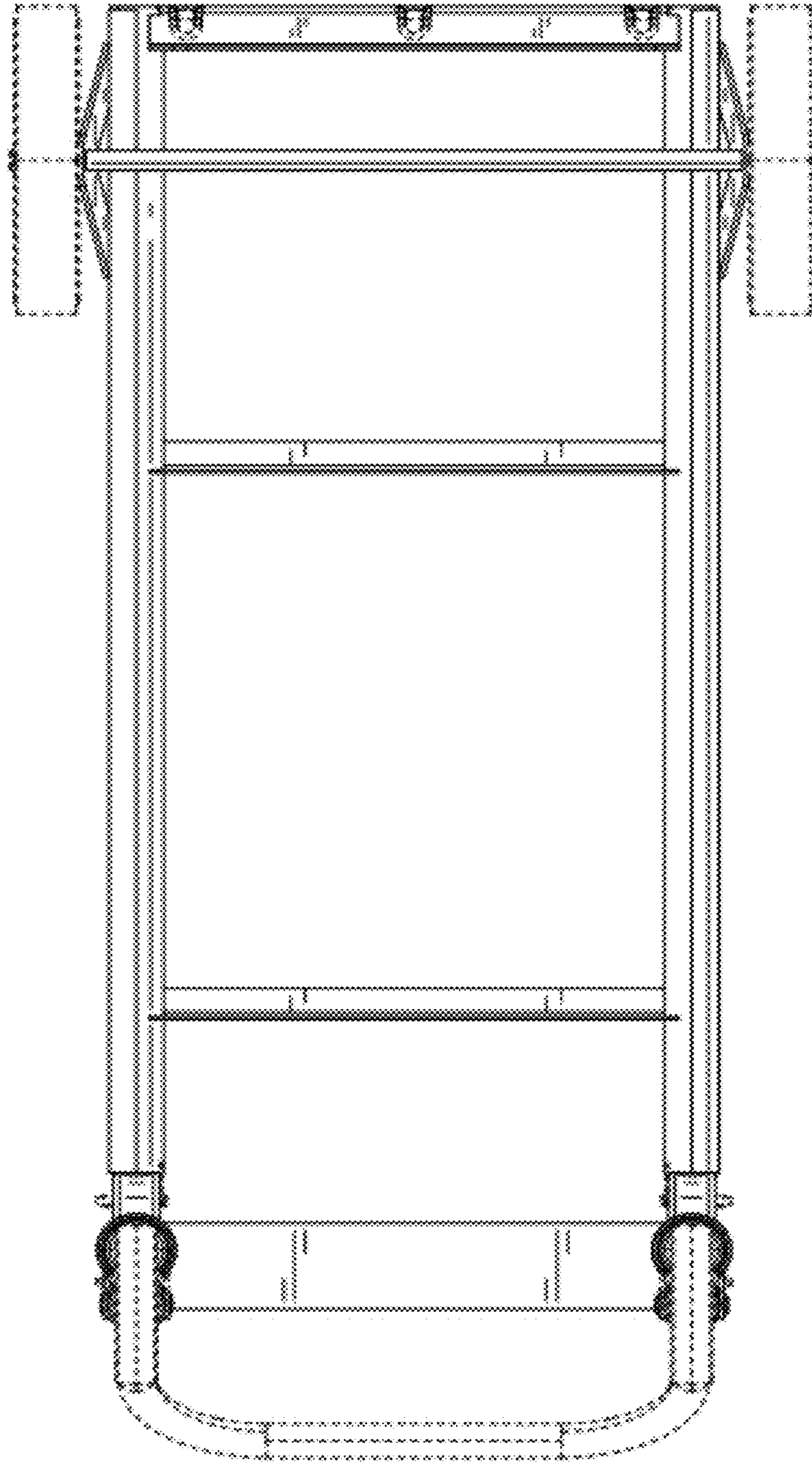


FIG. 14